



US00D431581S

United States Patent [19]

[11] **Patent Number: Des. 431,581**

Fekete

[45] **Date of Patent: ** Oct. 3, 2000**

[54] **MICROSCOPE ACCESSORY FOR CONTROLLED MOVEMENT OF AN OBJECT TABLE**

D. 393,998 5/1998 Anderson D8/74 X
3,039,195 6/1962 Litty D8/73 X

[75] Inventor: **Zoltan Fekete**, Borås, Sweden

Primary Examiner—Paula A. Mortimer
Attorney, Agent, or Firm—Samuels, Gauthier & Stevens

[73] Assignee: **Bohuslandstinget**, Sweden

[57] **CLAIM**

[**] Term: **14 Years**

The ornamental design for a microscope accessory for controlled movement of an object table as shown and described.

[21] Appl. No.: **29/096,448**

[22] Filed: **Nov. 12, 1998**

DESCRIPTION

Related U.S. Application Data

[63] Continuation-in-part of application No. 29/096,296, Nov. 10, 1998.

FIG. 1 is a frontal plan view for my design for microscope accessory for controlled movement of an object table;
FIG. 2 is a rear plan view of my design for microscope accessory for controlled movement of an object table;
FIG. 3 is a top plan view corresponding to FIG. 1 of my design for microscope accessory for controlled movement of an object table;
FIG. 4 is a top plan view corresponding to FIG. 2 of my design for microscope accessory for controlled movement of an object table;
FIG. 5 is a left side plan view of my design for microscope accessory for controlled movement of an object table;
FIG. 6 is a right side plan view of my design for microscope accessory for controlled movement of an object table;
FIG. 7 is a frontal perspective view showing the top and the right side of my design for microscope accessory for controlled movement of an object table; and,
FIG. 8 is a rear perspective view showing the top and the left side of my design microscope accessory for controlled movement of an object table.

[30] **Foreign Application Priority Data**

May 11, 1998 [SE] Sweden 98-1021

[51] **LOC (7) Cl.** **16-06**

[52] **U.S. Cl.** **D16/131**

[58] **Field of Search** D16/130, 131, D16/134, 136; D8/71, 73, 74; 359/375, 377, 379, 380, 381, 382, 383, 385, 390, 391, 392; 353/100, 101, 119

[56] **References Cited**

U.S. PATENT DOCUMENTS

D. 237,212 10/1975 Stumpf D16/131
D. 240,861 8/1976 Armbruster D16/131
D. 282,143 1/1986 Tarquino D8/74
D. 367,421 2/1996 Powers D8/74 X

1 Claim, 6 Drawing Sheets

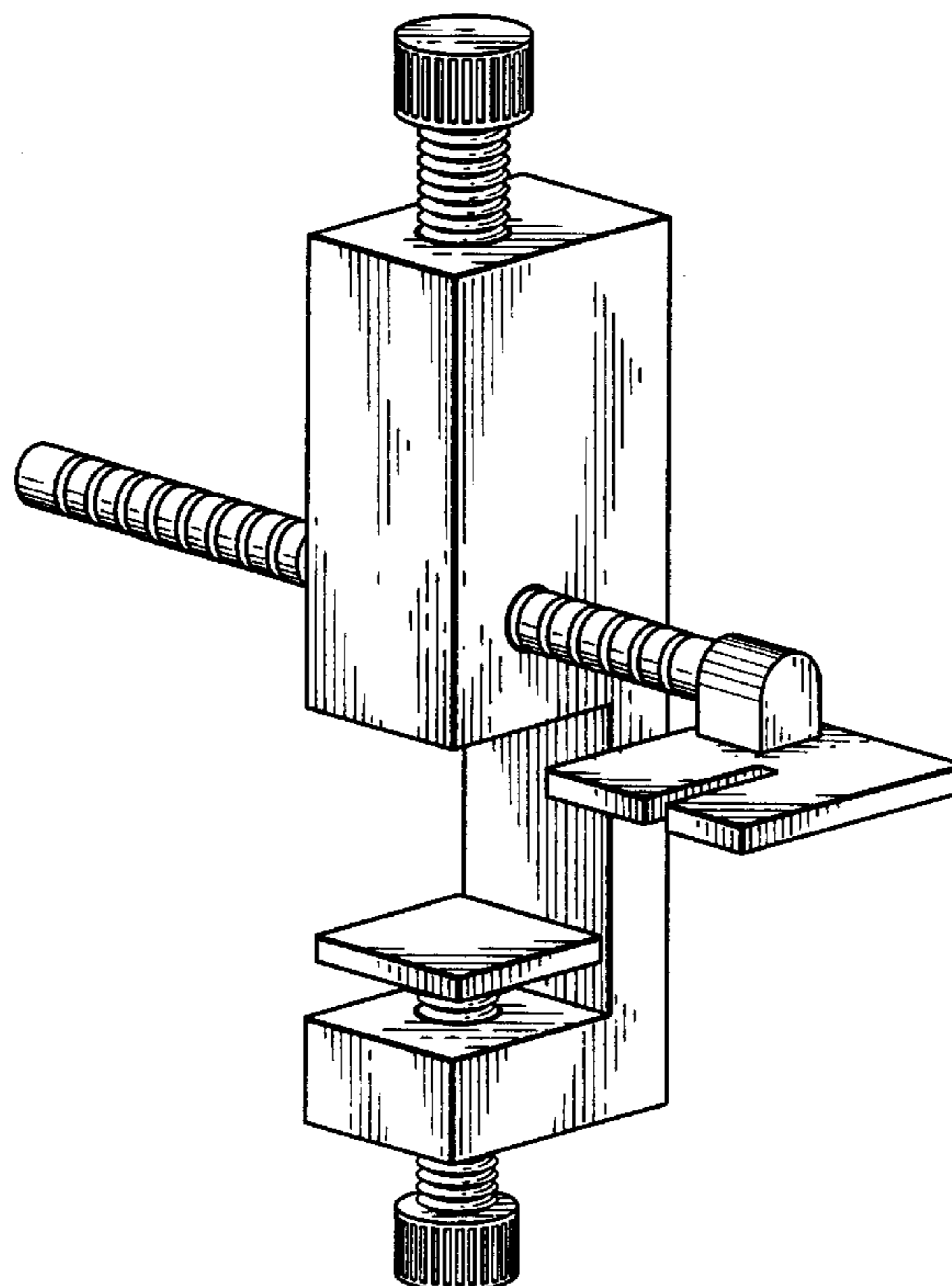


FIG. 1

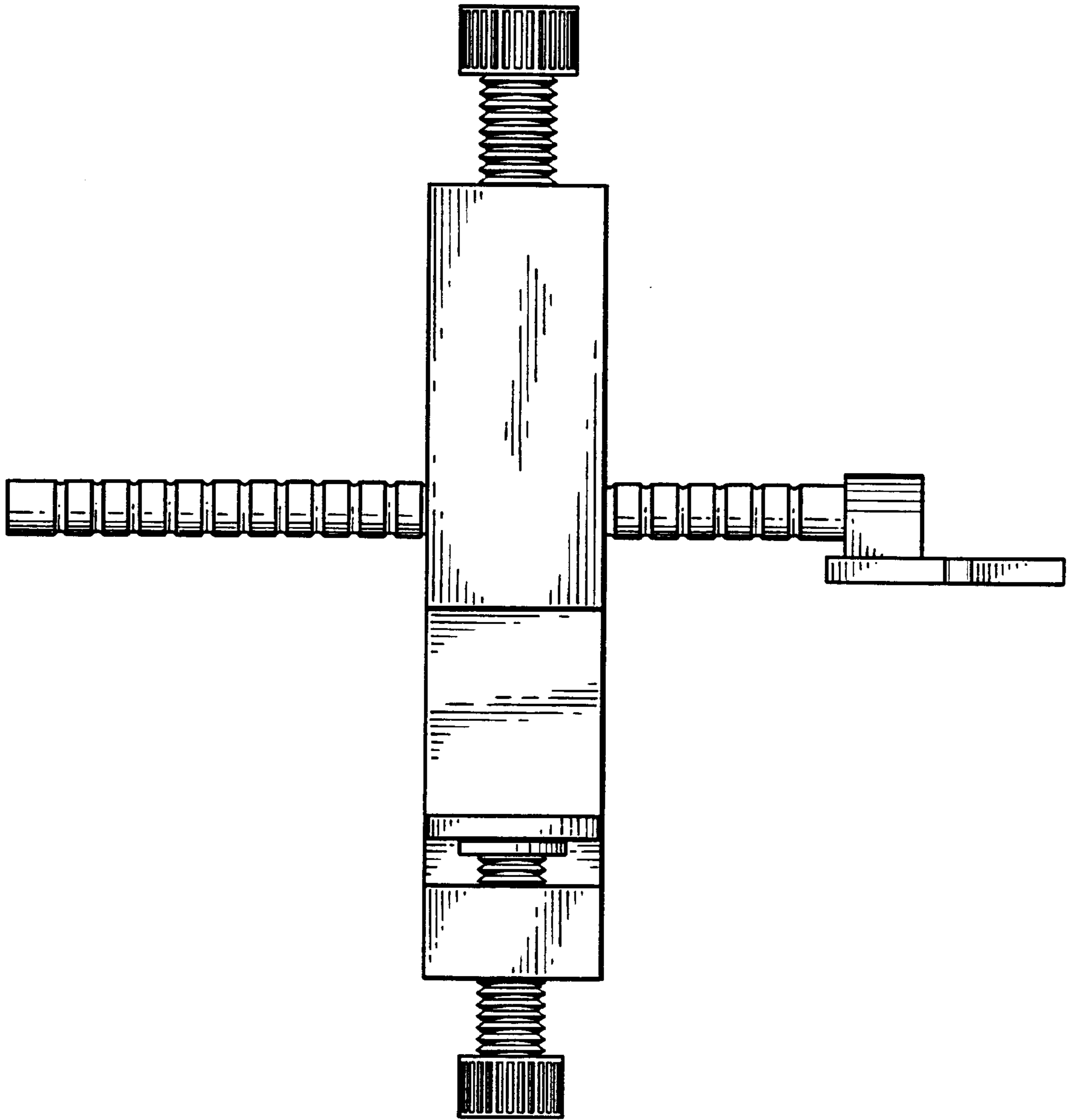


FIG. 2

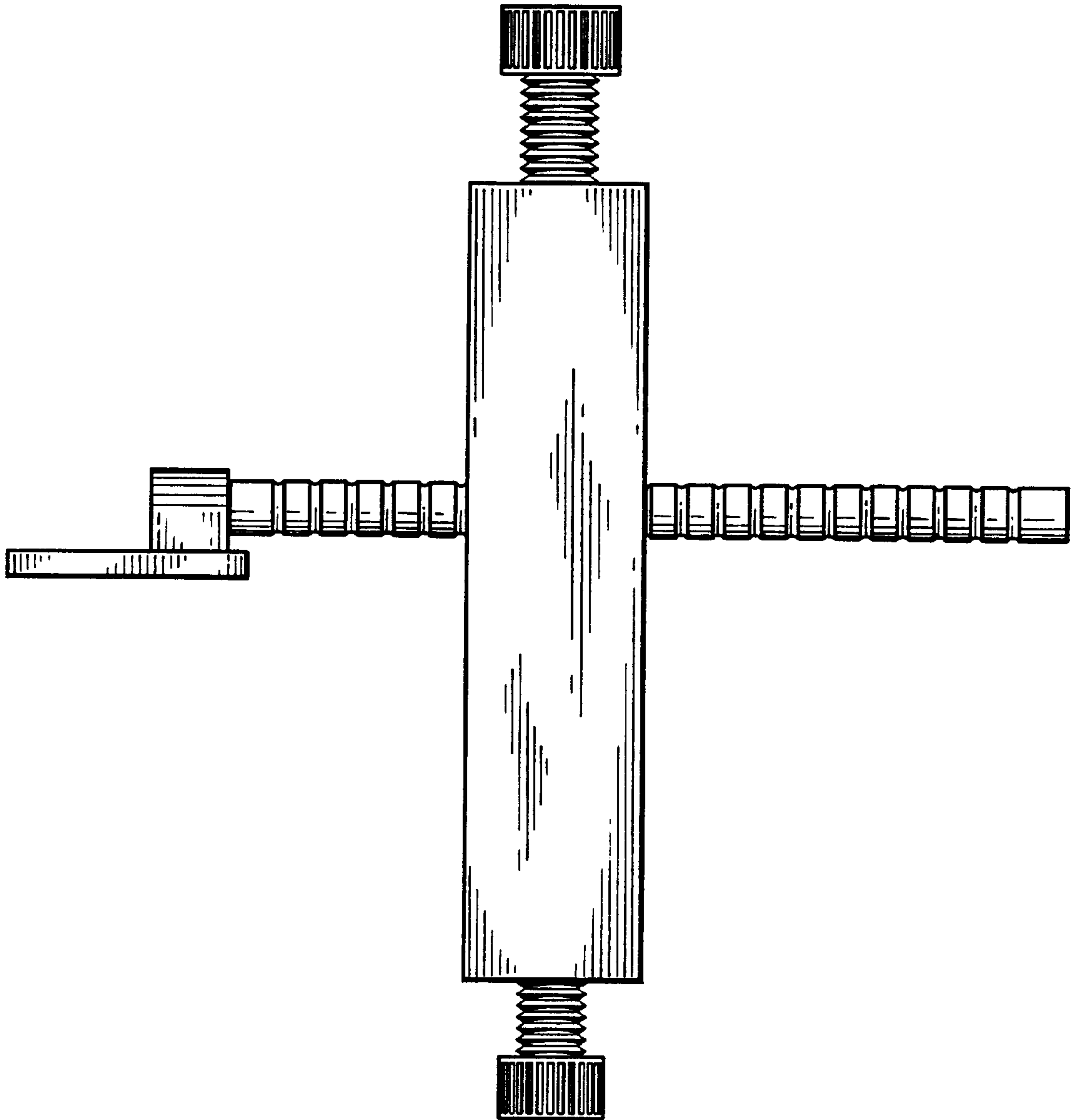


FIG. 3

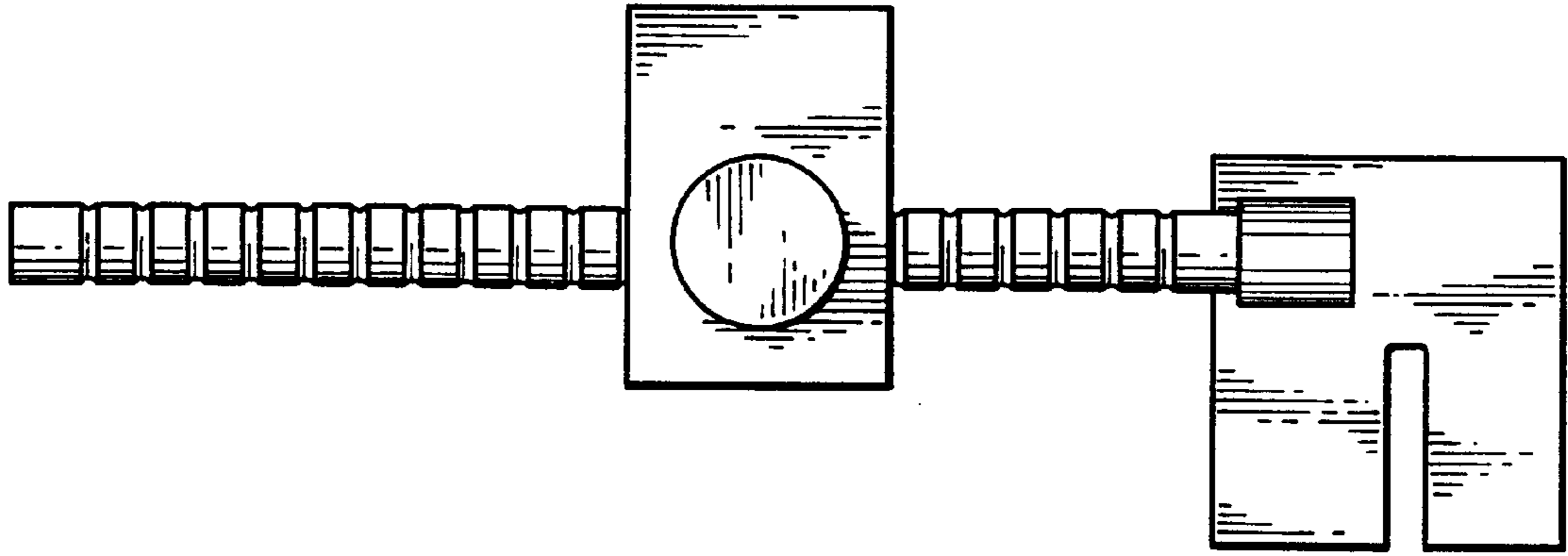


FIG. 4

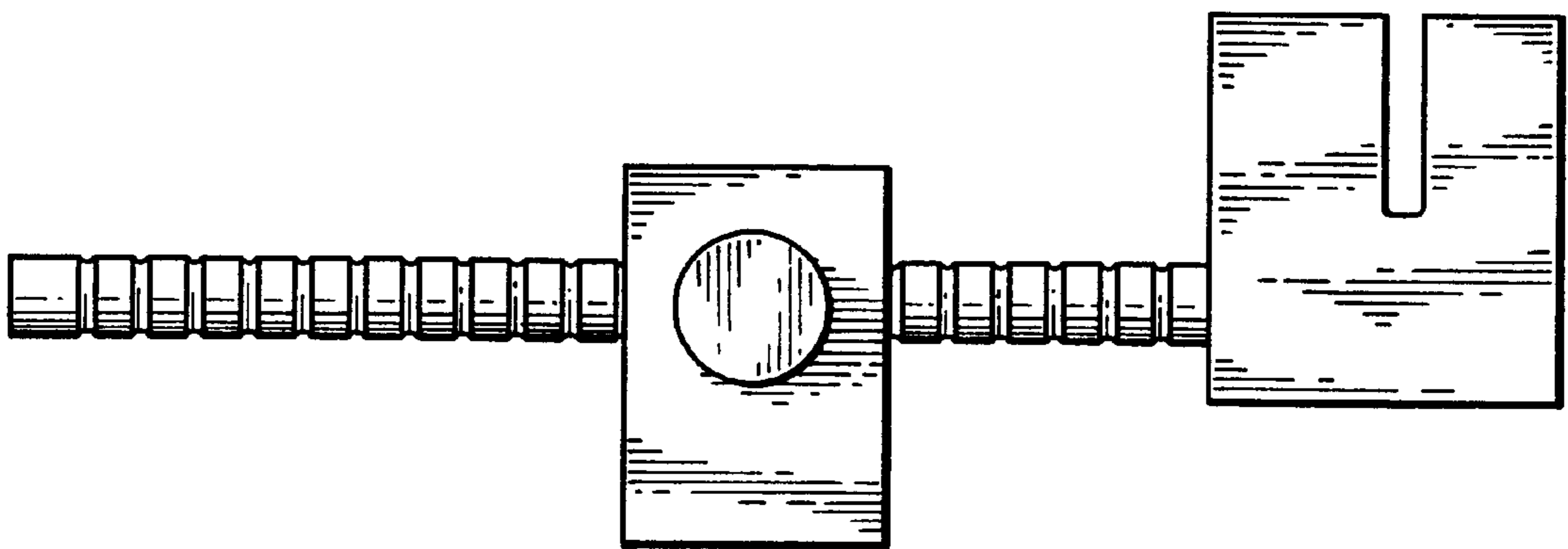


FIG. 6

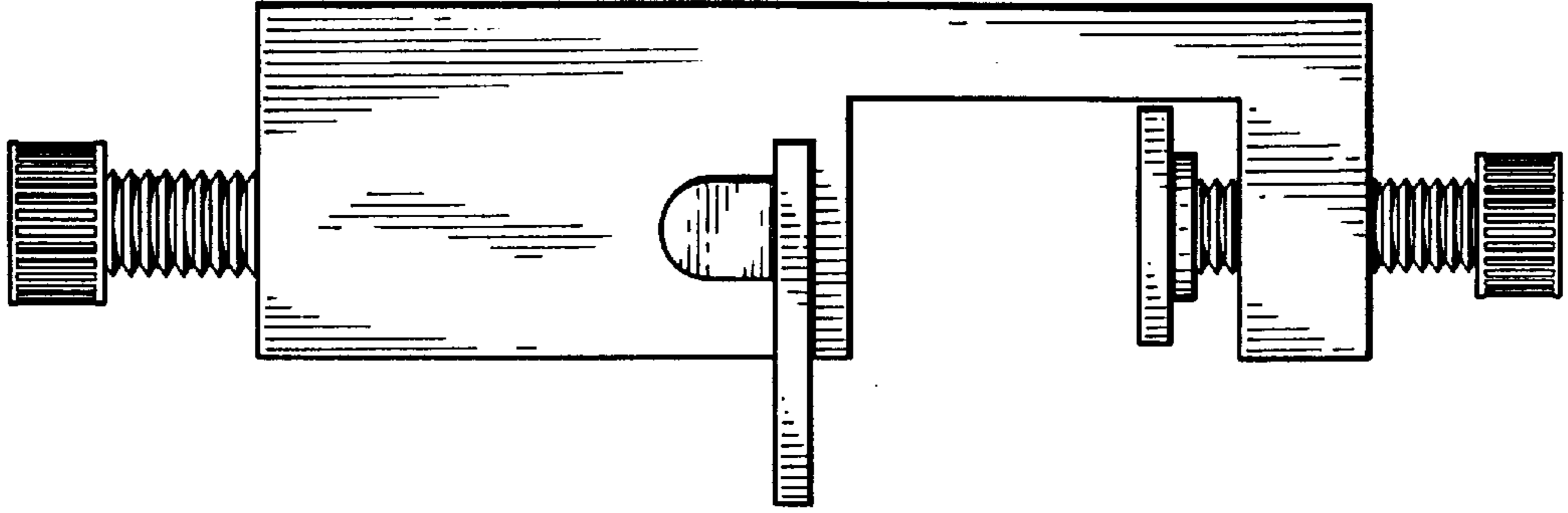


FIG. 5

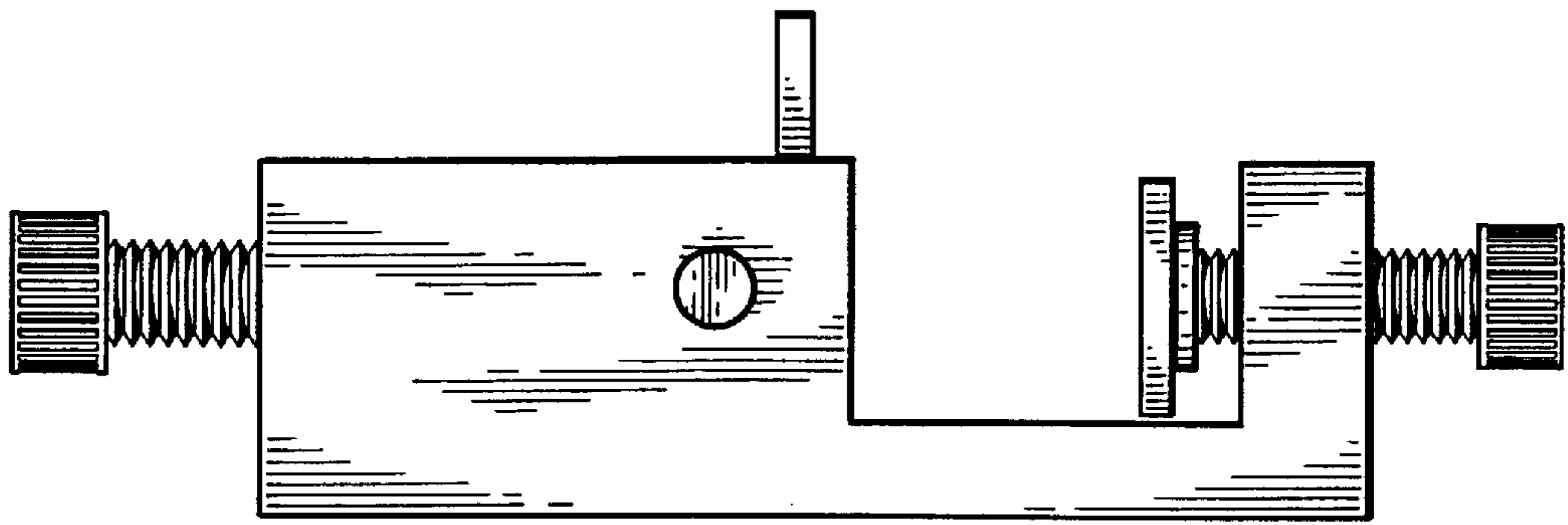


FIG. 7

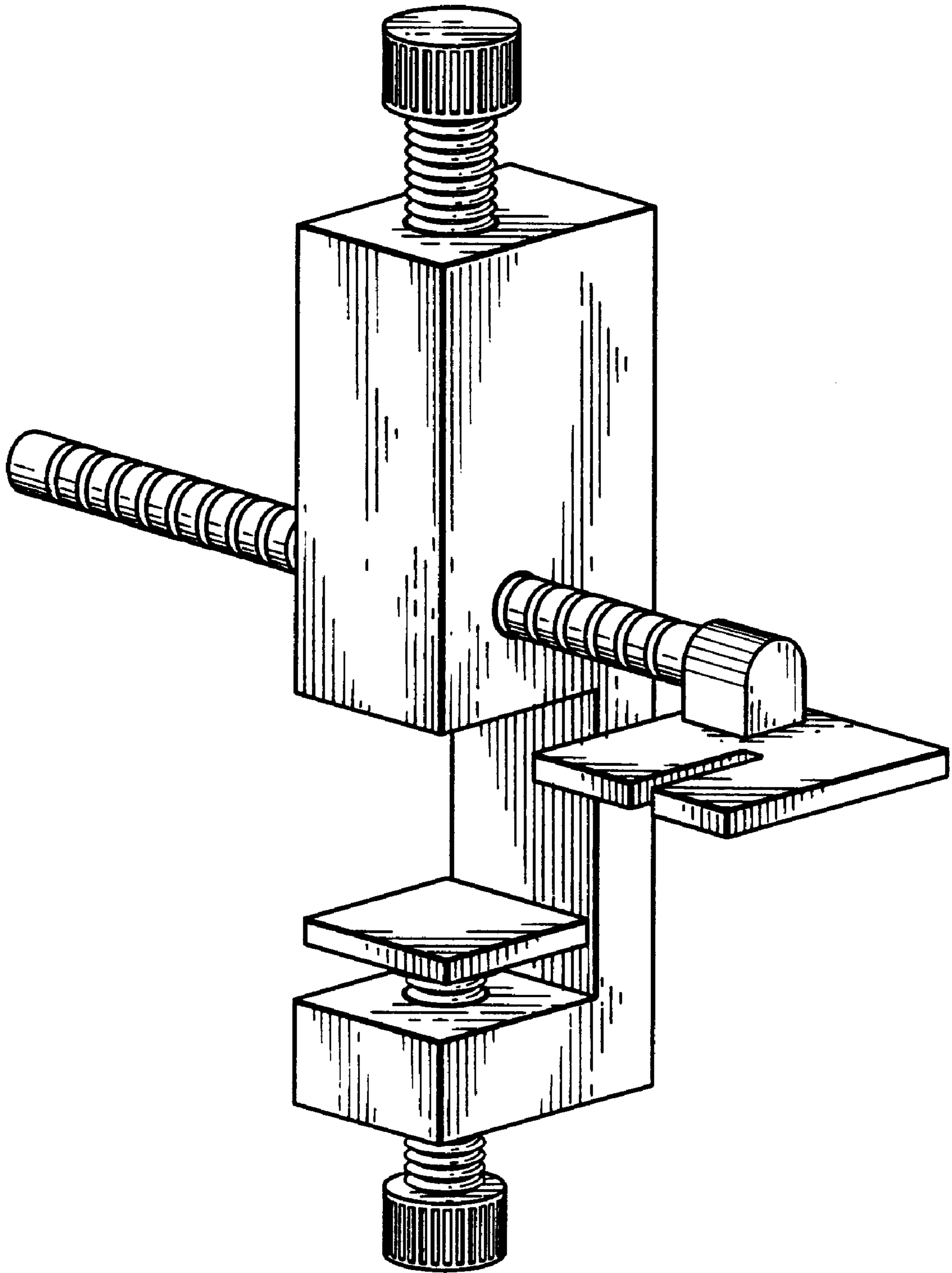


FIG. 8

