



US00D431579S

**United States Patent** [19]  
**Hartlöhner et al.**

[11] **Patent Number: Des. 431,579**  
[45] **Date of Patent: \*\* Oct. 3, 2000**

[54] **CUTTING INSERT**

5,702,210 12/1997 Bolanjiu ..... 407/114 X

[75] Inventors: **Rudi Hartlöhner**, Tuchenbach; **Franz Havrda**, Grossenseebach, both of Germany; **David C. Johnston**, Greensburg, Pa.

*Primary Examiner*—Antoine Duval Davis  
*Attorney, Agent, or Firm*—Larry R. Meenan

[73] Assignee: **Kennametal Inc.**, Latrobe, Pa.

[57] **CLAIM**

[\*\*] Term: **14 Years**

The ornamental design for a cutting insert, as shown and described.

[21] Appl. No.: **29/115,353**

**DESCRIPTION**

[22] Filed: **Dec. 13, 1999**

FIG. 1 is a perspective view of an alternate cutting insert showing a modified embodiment of our new design; FIG. 2 is a top plan view of the cutting insert of FIG. 1, with the bottom view being a mirror image thereof; FIG. 3 is a side elevational view thereof, with the remaining side elevational views being a mirror image thereof; FIG. 4 is a perspective view of an alternate cutting insert showing a modified embodiment of our new design; FIG. 5 is a top plan view of the cutting insert of FIG. 4, with the bottom view being a mirror image thereof; and, FIG. 6 is a side elevational view thereof, with the remaining side elevational views being a mirror image thereof. The broken line showing is for illustrative purposes only and forms no part of the claimed design.

**Related U.S. Application Data**

[62] Division of application No. 29/107,535, Jun. 30, 1999, Pat. No. Des. 423,024.

[51] **LOC (7) Cl.** ..... **15-09**

[52] **U.S. Cl.** ..... **D15/139**

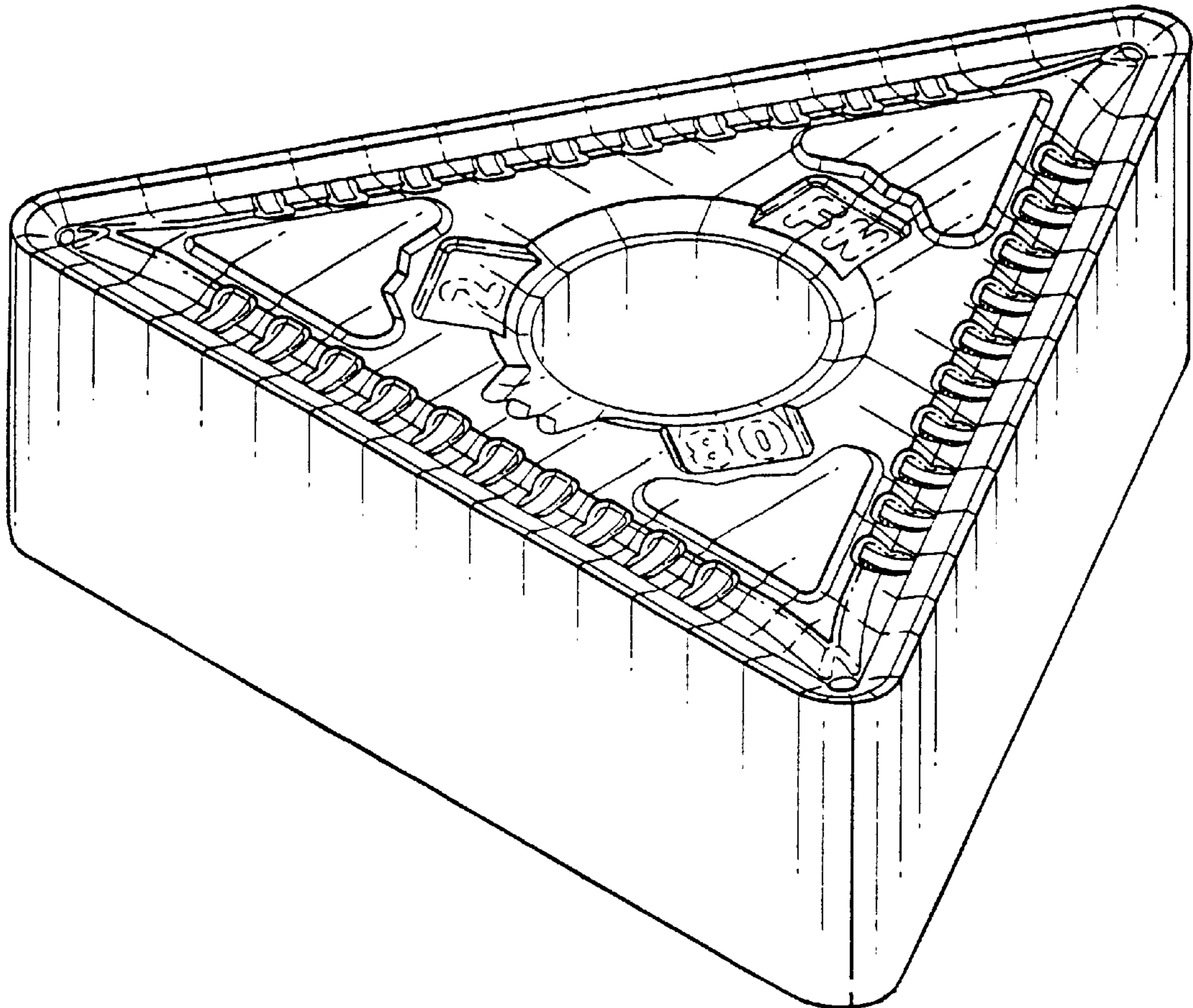
[58] **Field of Search** ..... D15/139; 407/114-118

[56] **References Cited**

**U.S. PATENT DOCUMENTS**

D. 409,632 5/1999 Hartlohner et al. .... D15/139

**1 Claim, 4 Drawing Sheets**



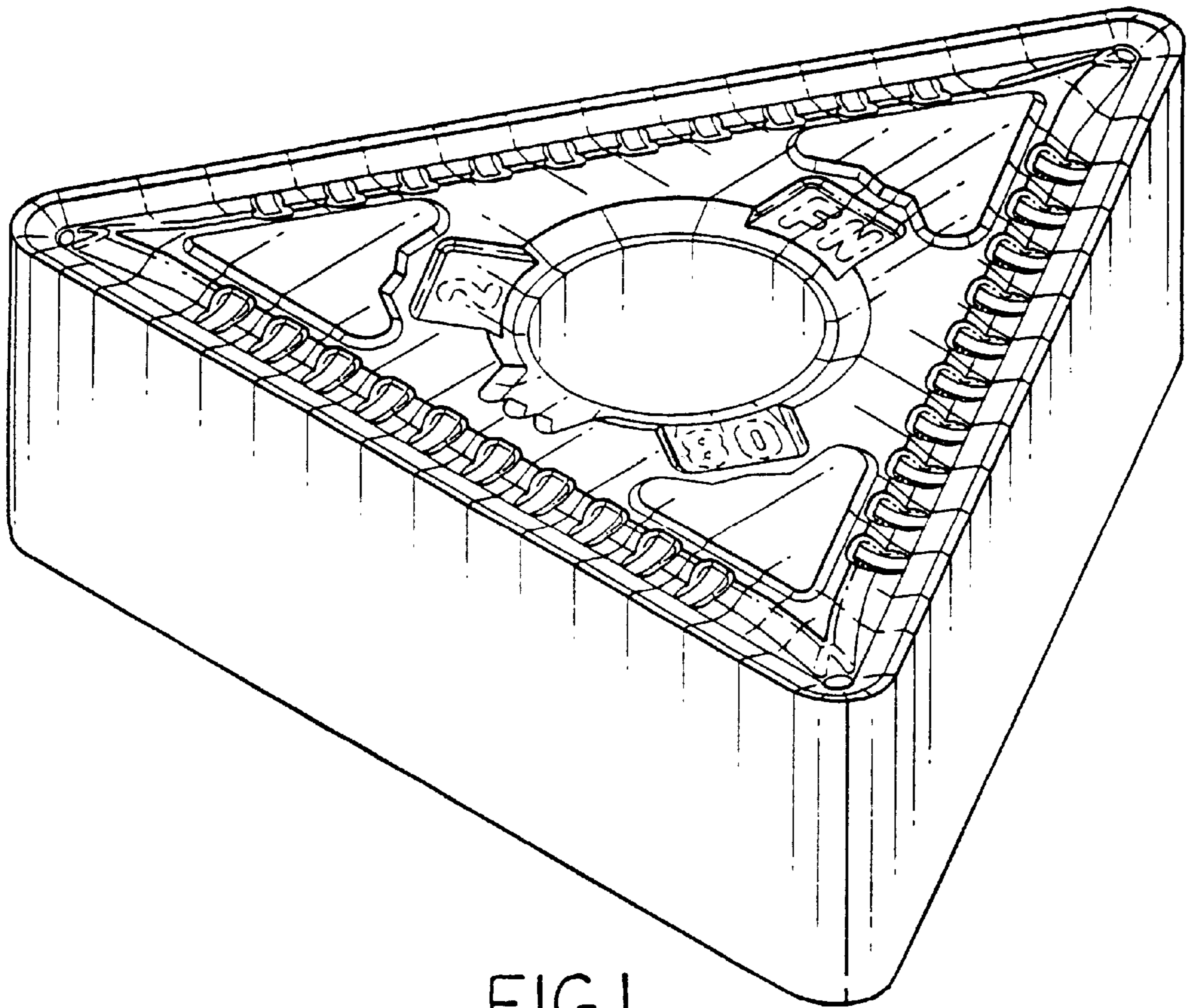


FIG.1

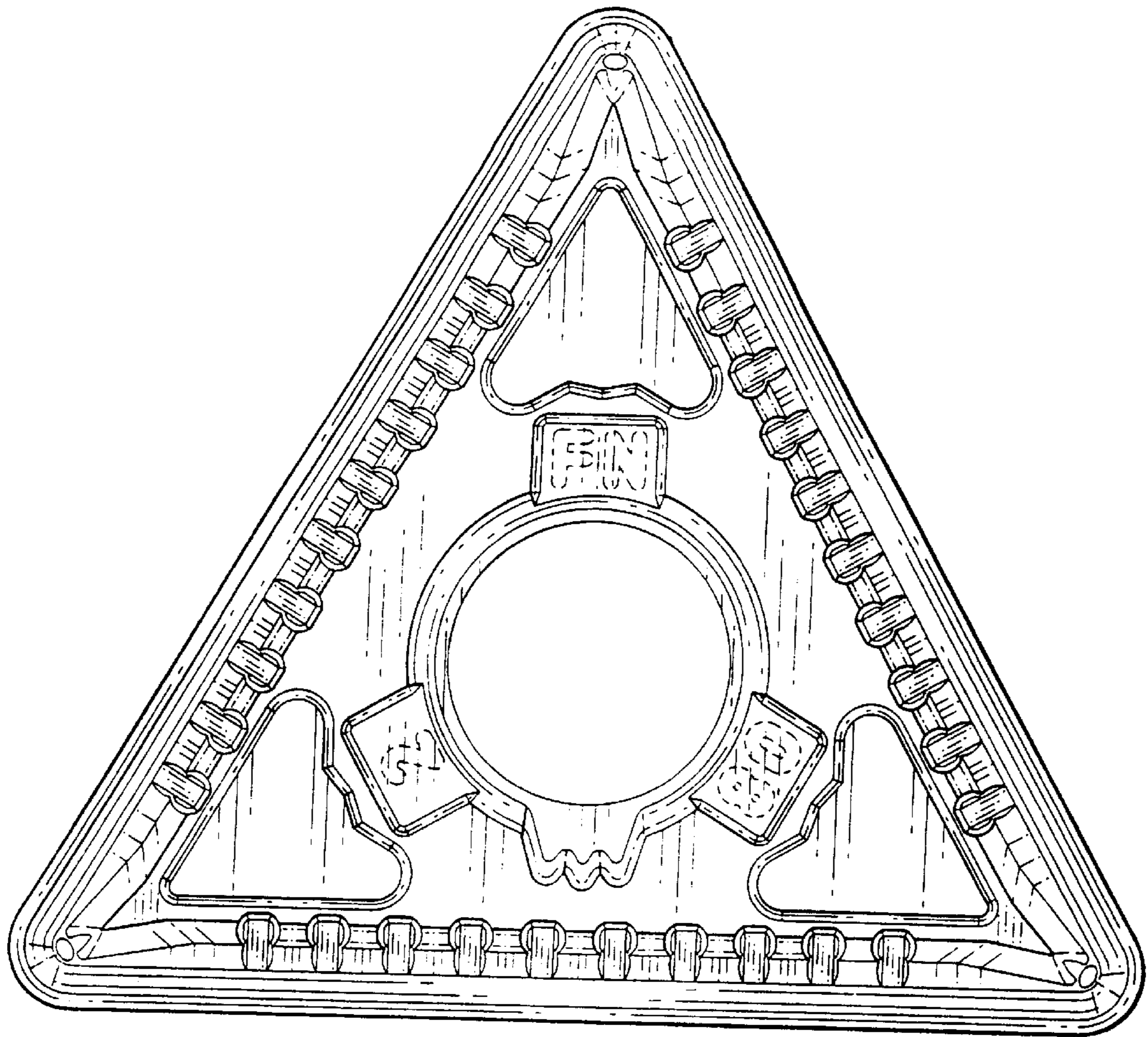


FIG. 2

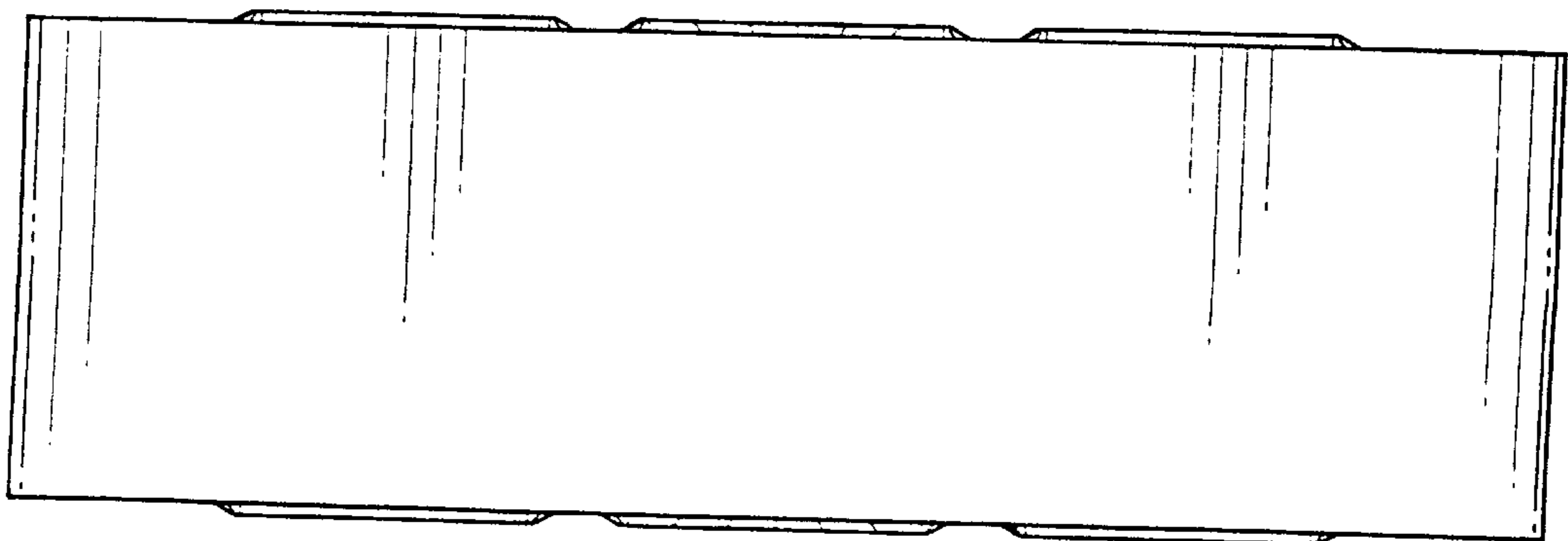


FIG. 3

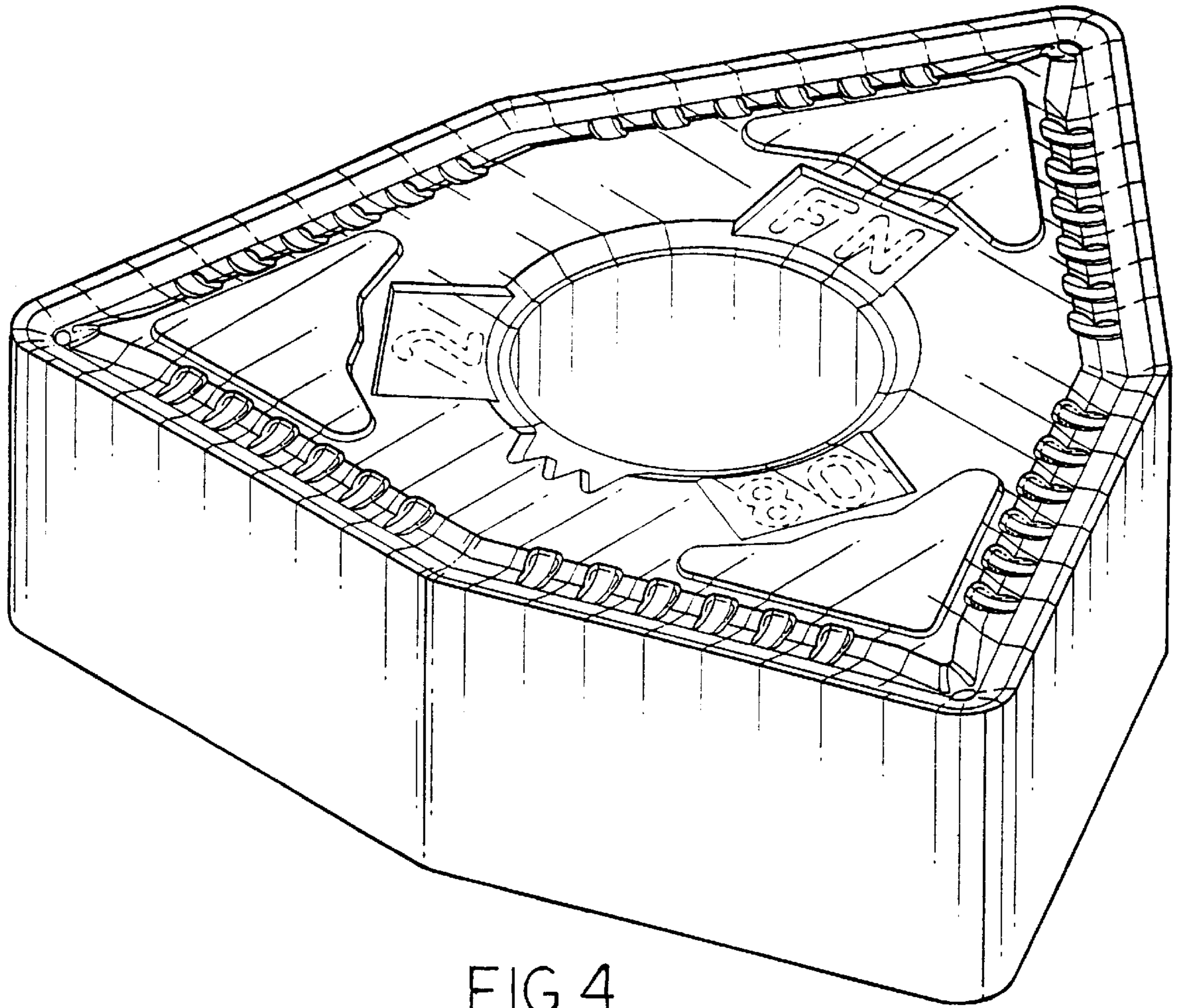


FIG.4

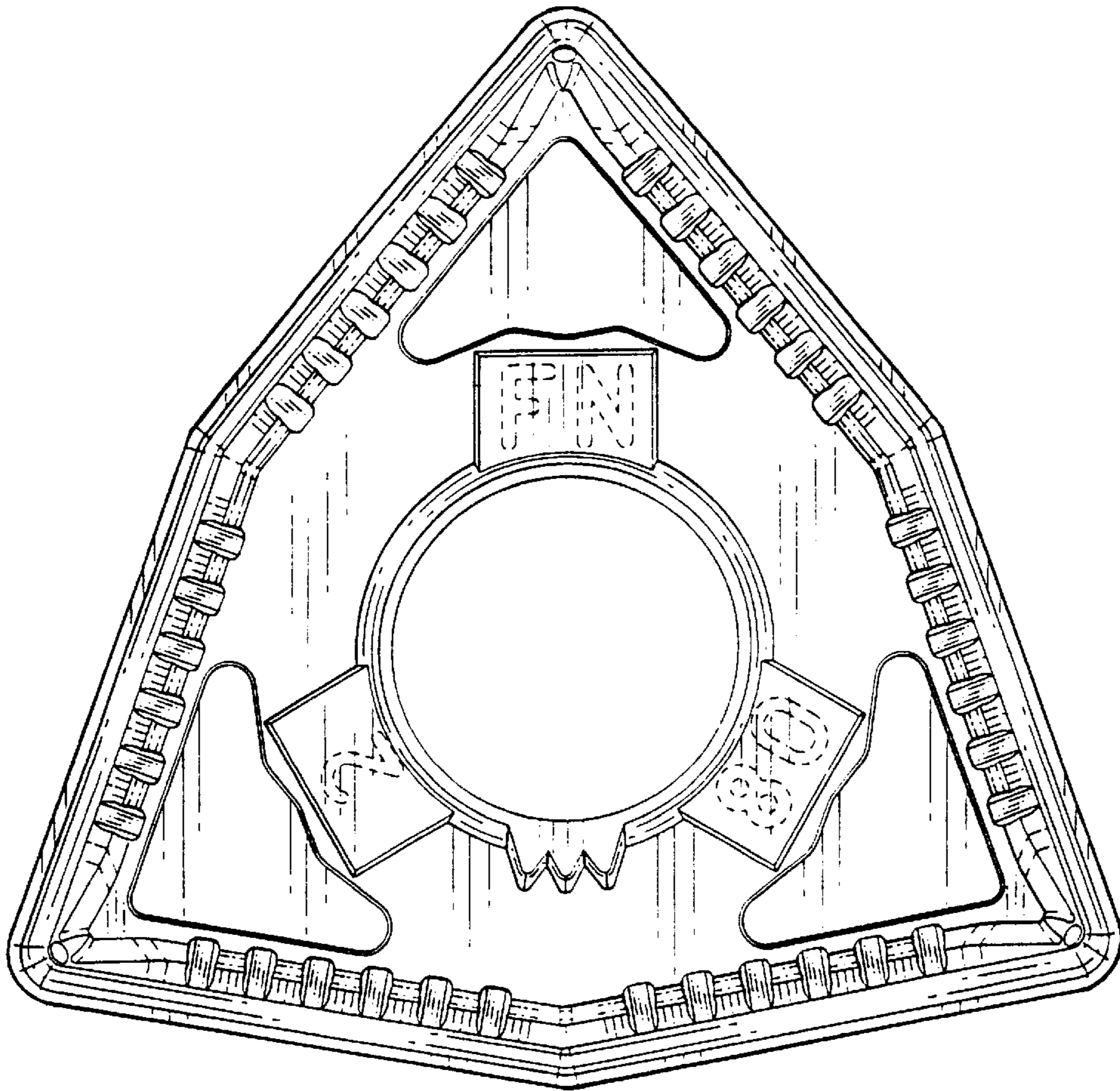


FIG. 5

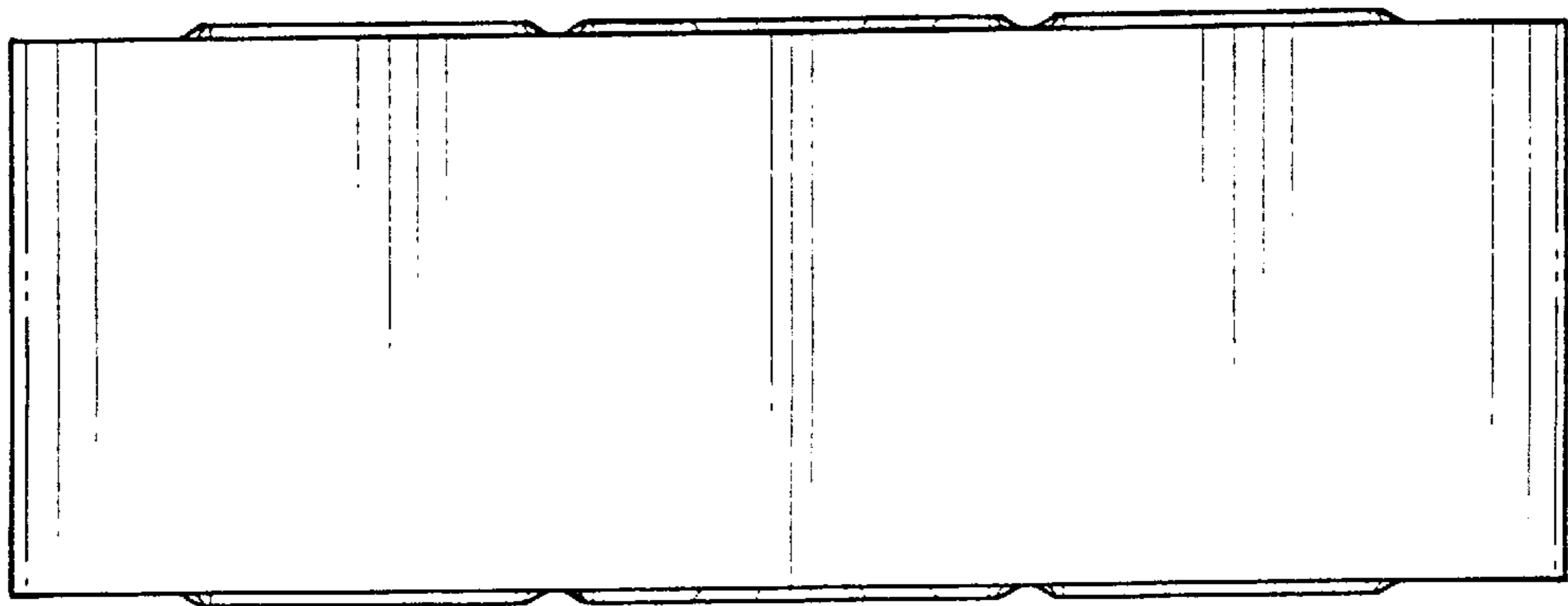


FIG. 6