



US00D431578S

# United States Patent [19]

[11] **Patent Number: Des. 431,578**

**Murén et al.**

[45] **Date of Patent: \*\* Oct. 3, 2000**

[54] **CUTTING INSERT**

5,044,840 9/1991 Fouquer et al. .... 407/114  
5,476,346 12/1995 Lundstrom ..... 407/114

[75] Inventors: **Sture Murén, Gävle; Jörgen Wiman, Sandviken, both of Sweden**

### FOREIGN PATENT DOCUMENTS

[73] Assignee: **Sandvik Aktiebolag, Sandviken, Sweden**

981272 2/1997 Japan .

[\*\*] Term: **14 Years**

*Primary Examiner*—Antoine Duval Davis  
*Attorney, Agent, or Firm*—Burns, Doane, Swecker & Mathis, L.L.P.

[21] Appl. No.: **29/060,376**

### [57] CLAIM

[22] Filed: **Sep. 27, 1996**

The ornamental design for a cutting insert, as shown and described.

### [30] Foreign Application Priority Data

### DESCRIPTION

Mar. 28, 1996 [SE] Sweden ..... 96-0714

[51] **LOC (7) Cl. .... 15-09**

FIG. 1 is a front, top perspective view of the cutting insert showing our new design;

[52] **U.S. Cl. .... D15/139**

FIG. 2 is a top plan view thereof, the bottom plan view being identical;

[58] **Field of Search ..... D15/139; 407/113-119**

FIG. 3 is a front elevational view thereof, the back elevational view being identical; and,

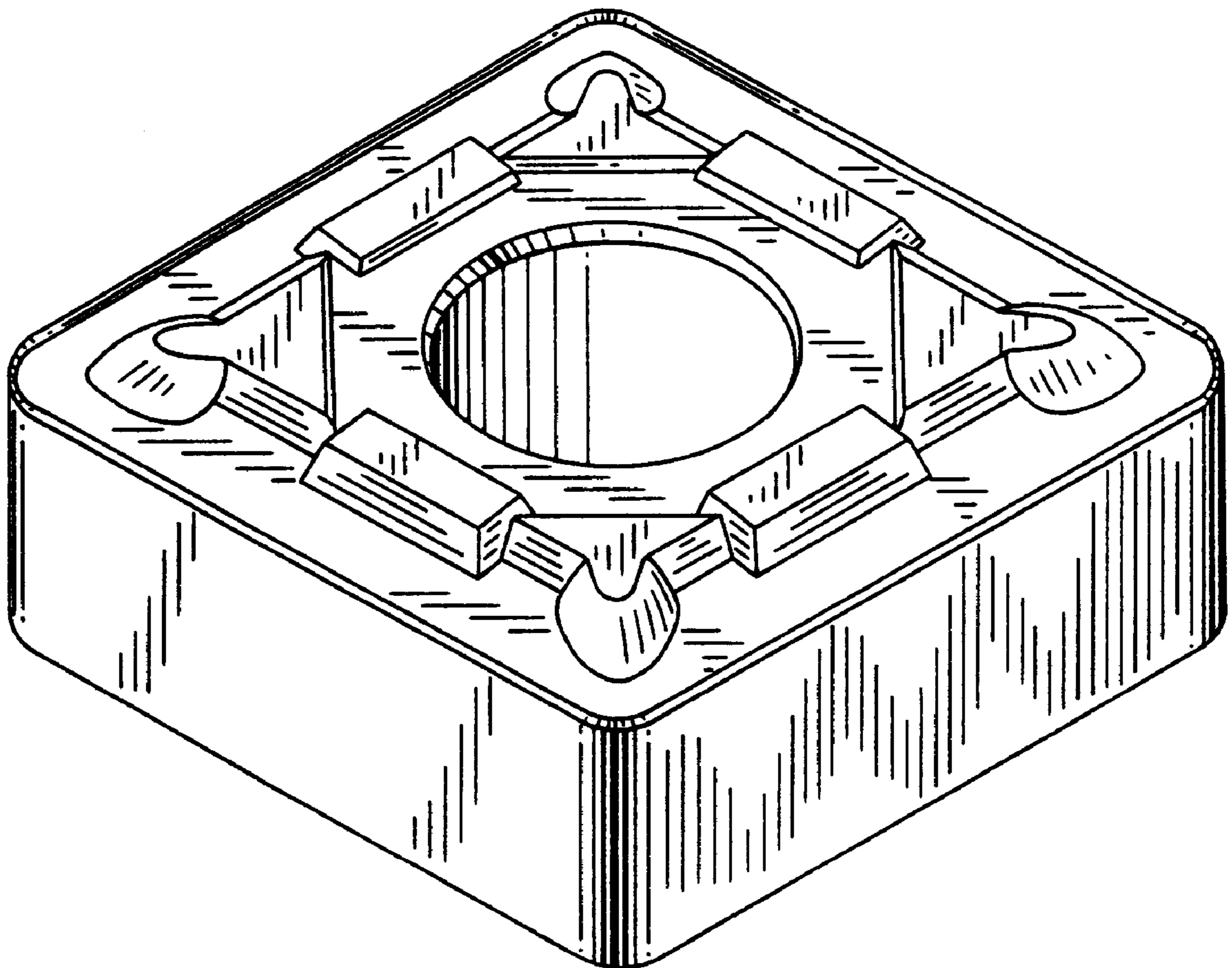
### [56] References Cited

#### U.S. PATENT DOCUMENTS

D. 345,985 4/1994 Ishikawa et al. .... D15/139  
D. 359,057 6/1995 Niebauer .  
4,941,780 7/1990 Takahashi ..... 407/114

FIG. 4 is a right, front side elevational view thereof, the left, rear side elevational view being identical.

**1 Claim, 1 Drawing Sheet**



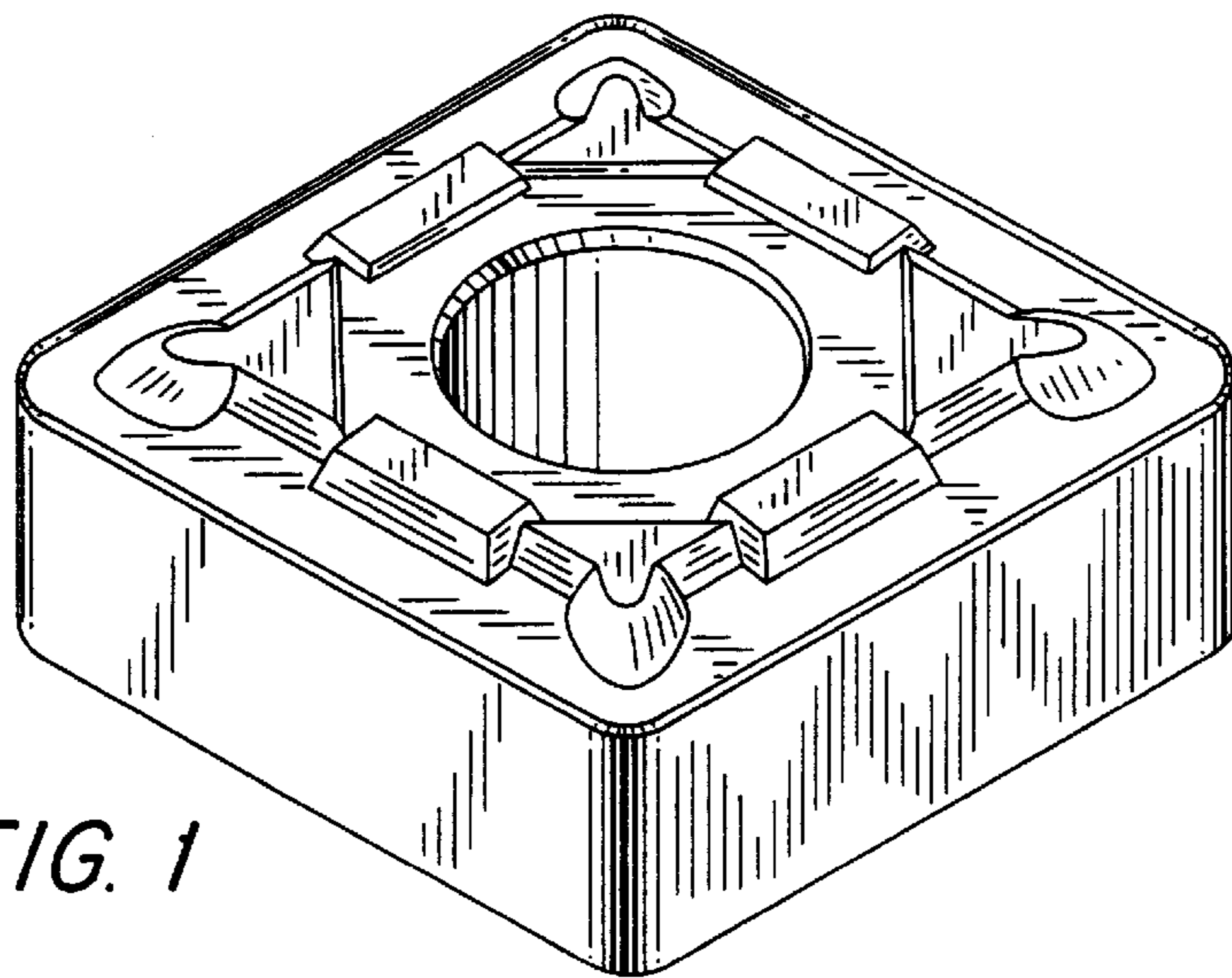


FIG. 1

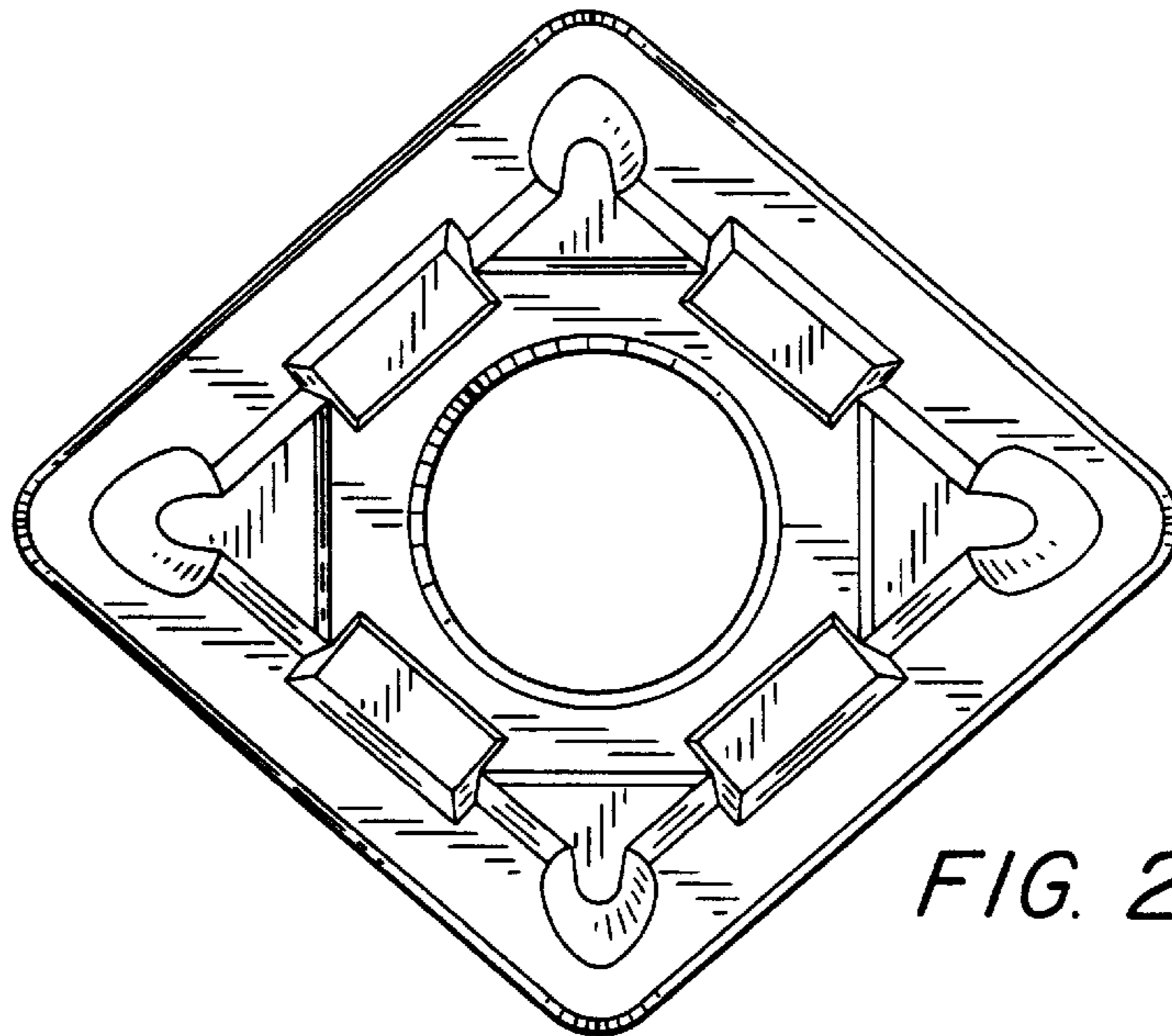


FIG. 2

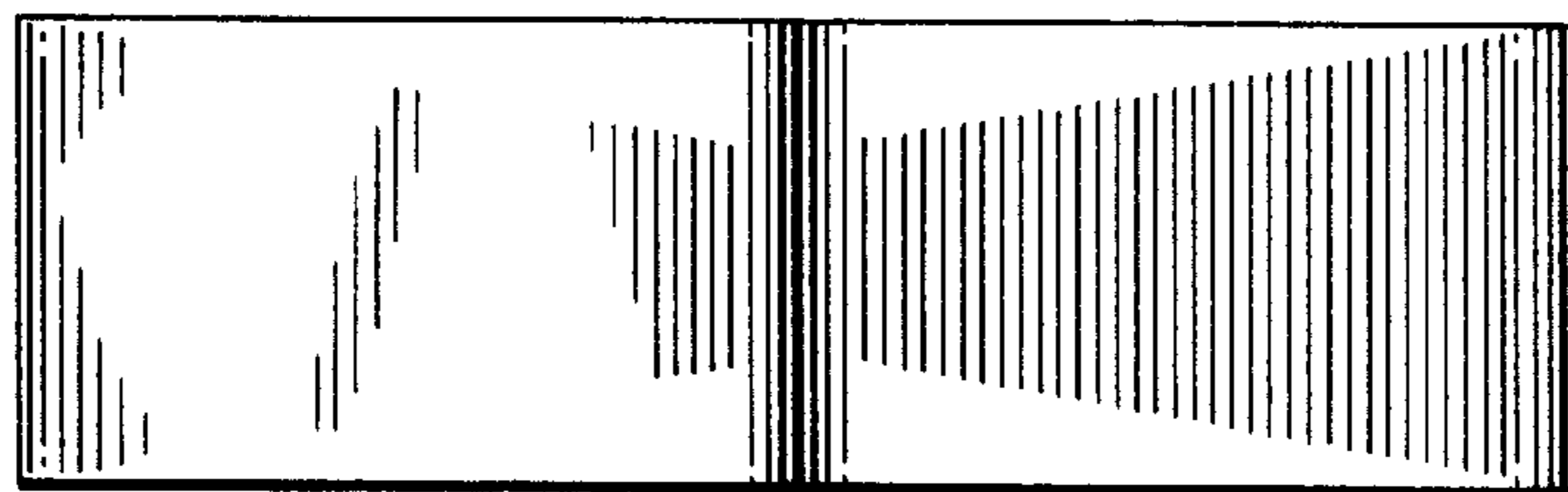


FIG. 3

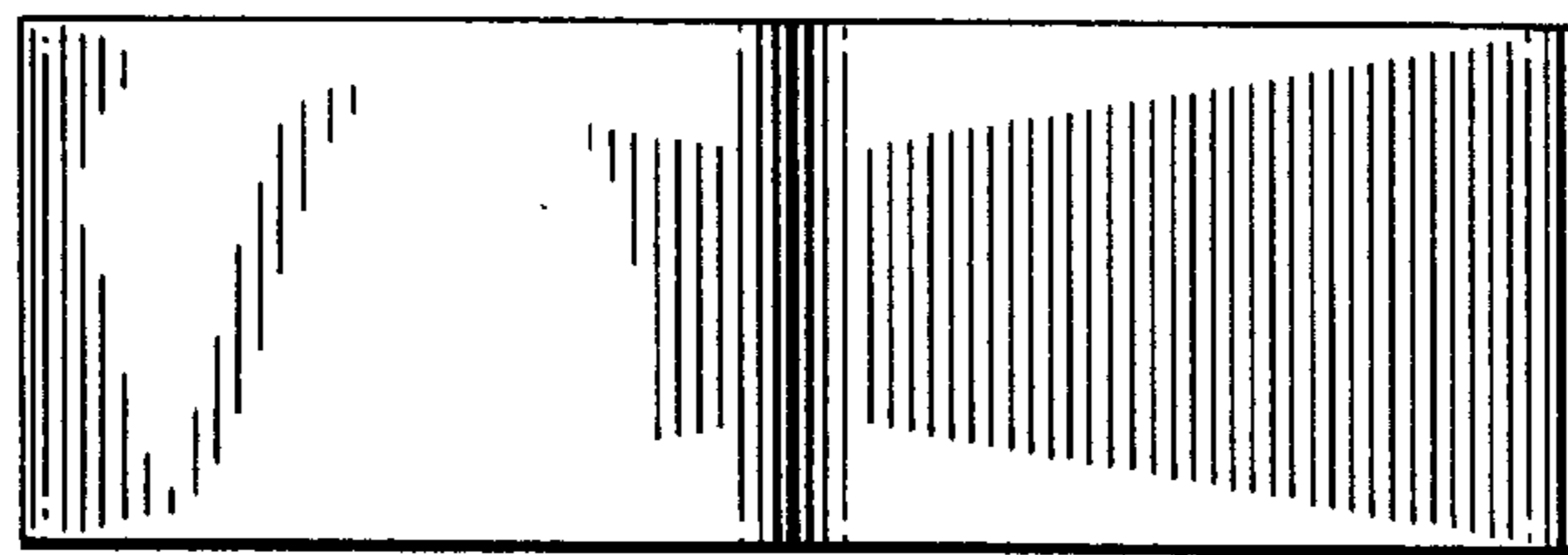


FIG. 4