



US00D431577S

**United States Patent** [19]  
**Jackovin**

[11] **Patent Number: Des. 431,577**  
[45] **Date of Patent: \*\* Oct. 3, 2000**

[54] **SIDE-BY-SIDE REFRIGERATOR**  
[75] Inventor: **Gary B. Jackovin**, Ankeny, Iowa  
[73] Assignee: **Maytag Corporation**, Newton, Iowa  
[\*\*] Term: **14 Years**  
[21] Appl. No.: **29/108,943**  
[22] Filed: **Aug. 9, 1999**

D. 264,752 6/1982 Leotta ..... D15/79  
D. 358,598 5/1995 Edman ..... D15/85  
D. 379,095 5/1997 Sparks ..... D15/85  
D. 387,779 12/1997 Weiss et al. .... D15/85  
2,914,218 11/1959 Korodi .  
5,568,712 10/1996 Jenkins et al. .... 52/782.1  
5,588,731 12/1996 Schmidt et al. .... 312/405  
5,707,518 1/1998 Coates et al. .... 210/232

*Primary Examiner*—Sandra L. Morris  
*Attorney, Agent, or Firm*—Everett G. Diederiks, Jr.

**Related U.S. Application Data**

[62] Division of application No. 29/092,725, Aug. 25, 1998, Pat. No. Des. 418,845.

[51] **LOC (7) Cl.** ..... **15-07**  
[52] **U.S. Cl.** ..... **D15/85**  
[58] **Field of Search** ..... D15/79, 81-91;  
62/293, 339, 373, 440, 441, 457; 312/116,  
138.1, 139.1, 236, 405

[57] **CLAIM**

The ornamental design for a side-by-side refrigerator, as shown and described.

**DESCRIPTION**

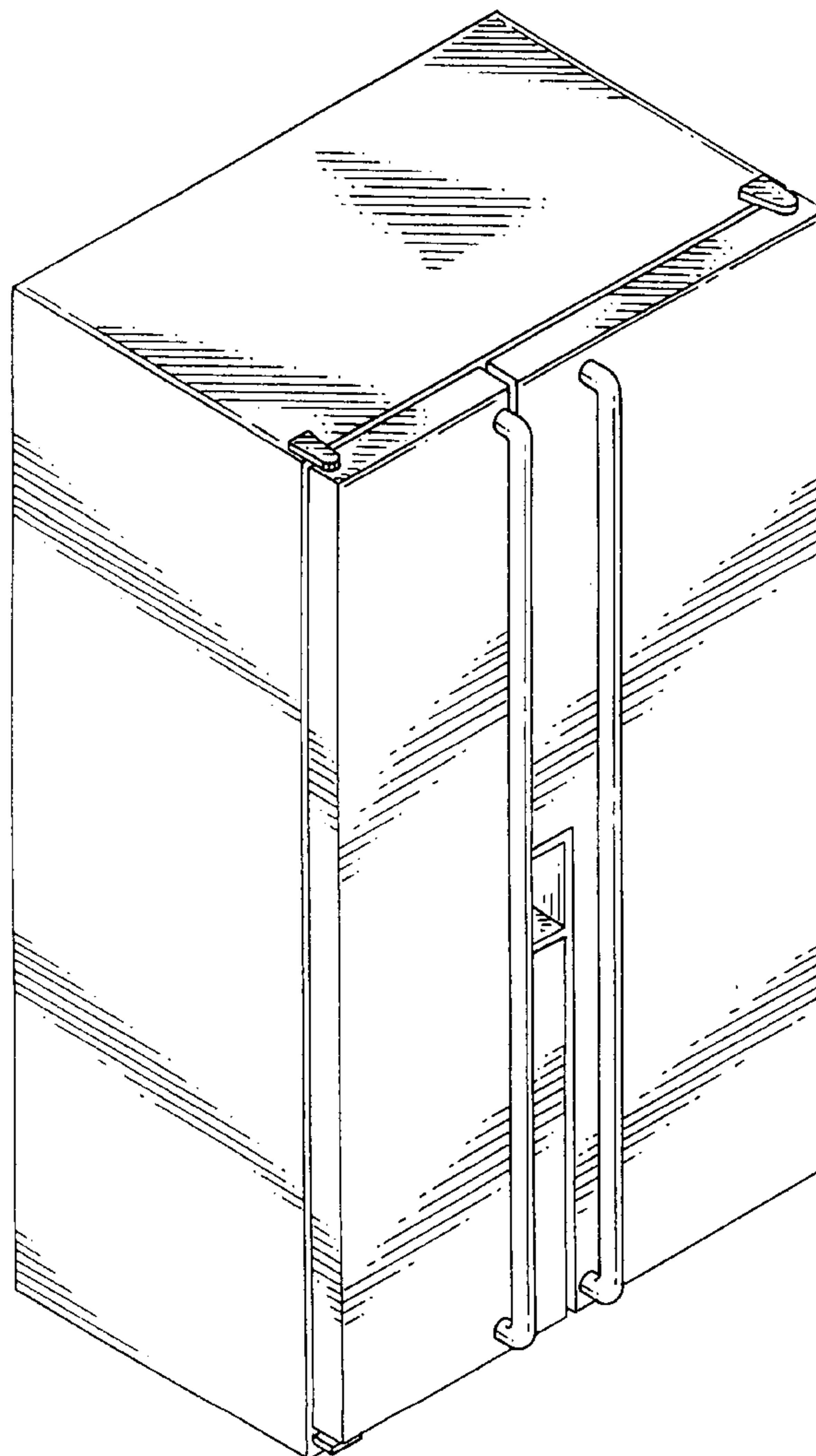
FIG. 1 is a perspective view of a side-by-side refrigerator, showing my new design;  
FIG. 2 is a front plan view of the side-by-side refrigerator of FIG. 1;  
FIG. 3 is a top plan view of the side-by-side refrigerator; and,  
FIG. 4 is a bottom plan view thereof.

[56] **References Cited**

**U.S. PATENT DOCUMENTS**

D. 205,107 6/1966 Costanini ..... D15/85

**1 Claim, 2 Drawing Sheets**



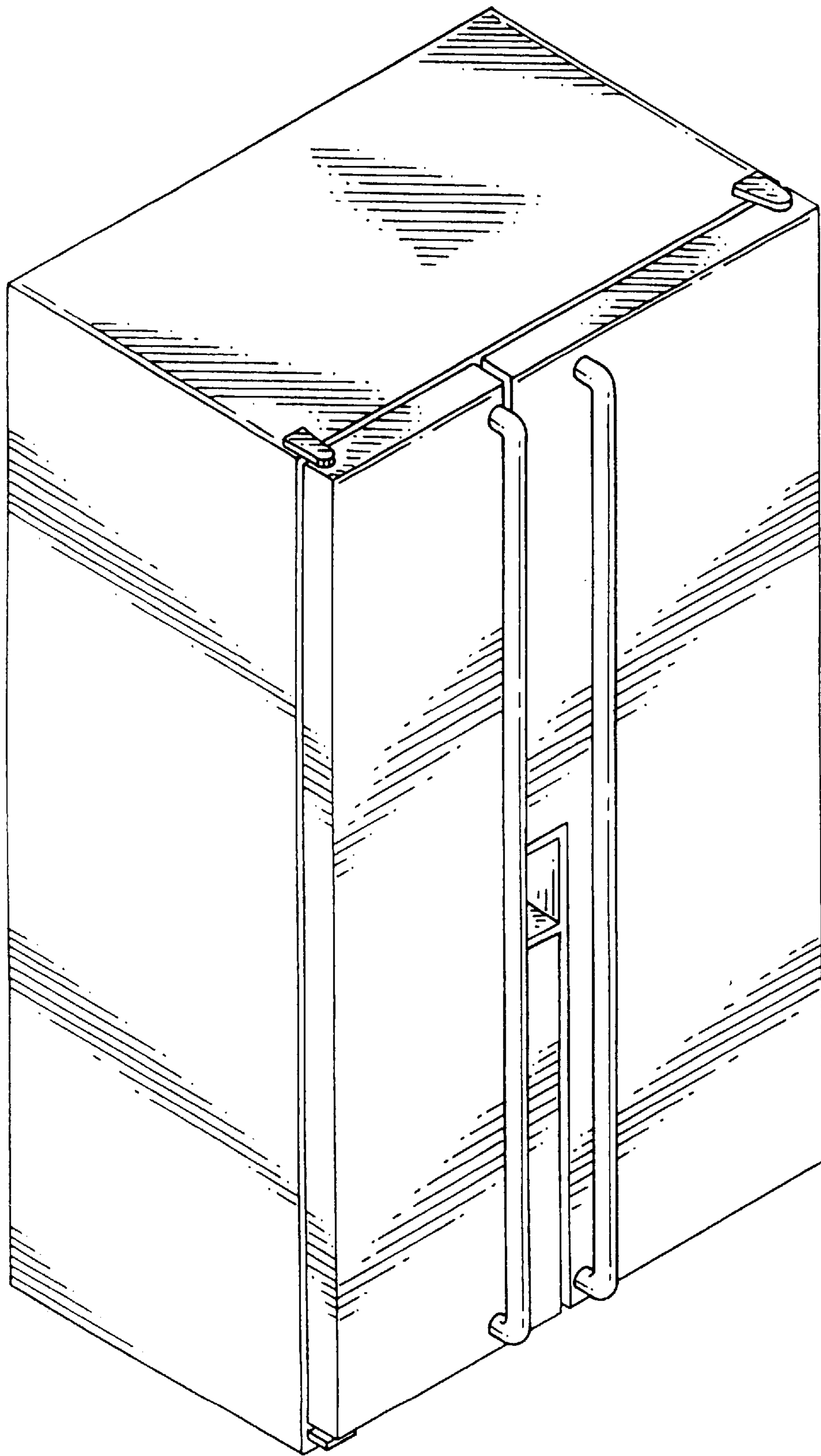


FIG. 1

