



US00D431574S

United States Patent [19] Porter

[11] Patent Number: **Des. 431,574**

[45] Date of Patent: **** Oct. 3, 2000**

[54] **FRONT END LOADER**

4,705,449 11/1987 Christianson et al. 414/68.5
5,171,124 12/1992 Foster 414/685

[75] Inventor: **Alan Theodore Alfred Porter,**
Burleigh Heads, Australia

FOREIGN PATENT DOCUMENTS

[73] Assignee: **Jaden Charters Pty Ltd.,** Queensland,
Australia

91592 3/1985 Australia .
90646 8/1985 Australia .
30195/89 7/1989 Australia .
105645 10/1989 Australia .
52220/90 7/1990 Australia .
84/02153 6/1984 WIPO .

[**] Term: **14 Years**

[21] Appl. No.: **29/093,954**

OTHER PUBLICATIONS

[22] Filed: **Sep. 22, 1998**

Jaden Mini Loaders, published in Australia, 1990.
Forbes Engineering "Jobmaster 600", published in Australia, circa 1987.
JGL Industries "Little John" front end loader, published in the United States prior to Oct. 1992.

[51] **LOC (7) Cl.** **15-04**

[52] **U.S. Cl.** **D15/25**

[58] **Field of Search** D15/10, 22-26;
37/421, 442; 180/89.1, 89.12, 89.13; 414/680,
685, 743

Primary Examiner—Sandra L. Morris
Attorney, Agent, or Firm—Iandiorio & Teska

[56] **References Cited**

[57] **CLAIM**

U.S. PATENT DOCUMENTS

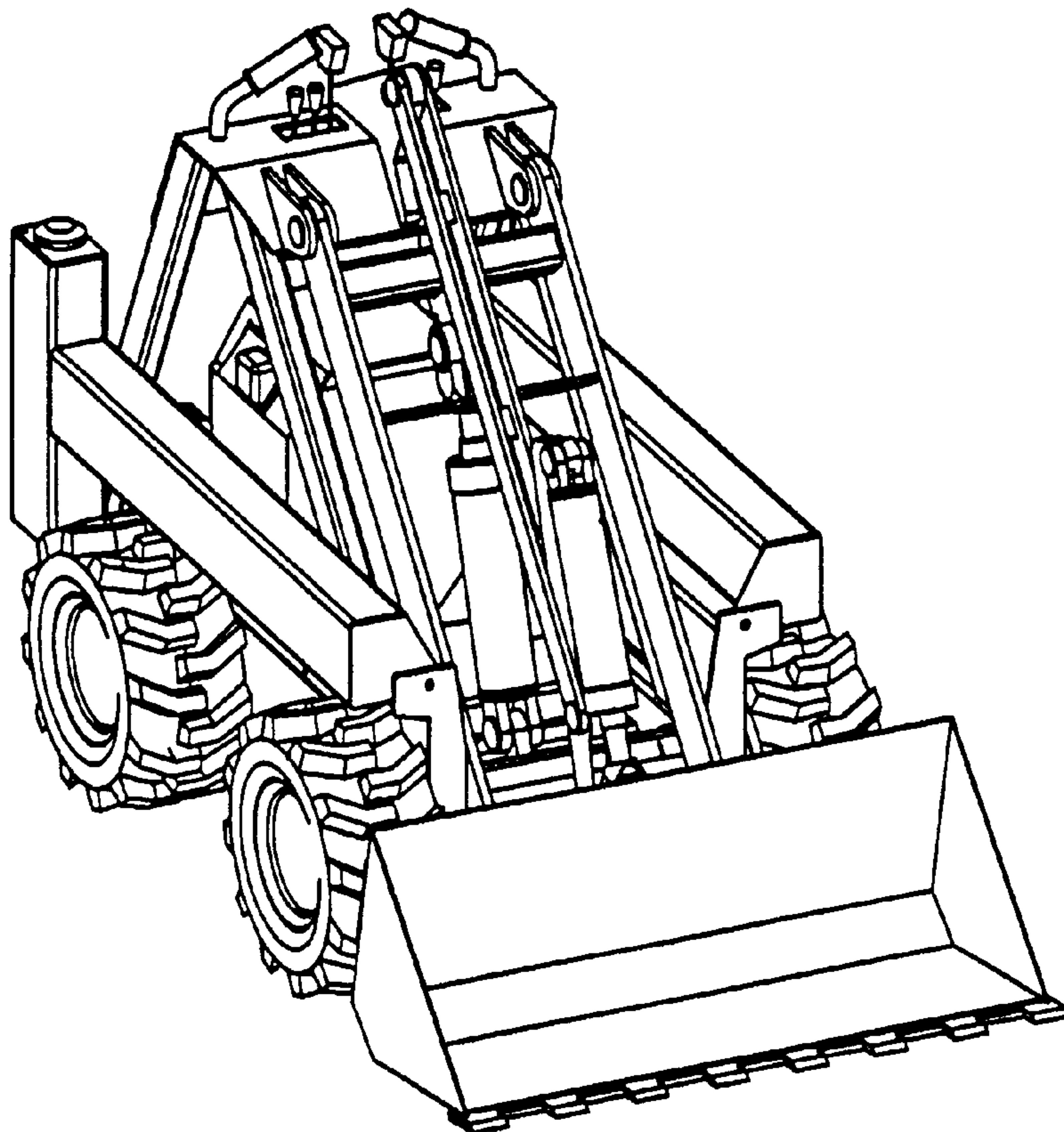
The ornamental design for a front end loader, as shown.

D. 195,254	5/1963	Keller et al.	D15/25
D. 201,126	5/1965	Kromer	D15/25
D. 205,485	8/1966	Juhl .	
D. 217,661	5/1970	McCawley .	
D. 240,757	7/1976	Henderson .	
D. 272,825	2/1984	Cochran	D15/25
D. 294,032	2/1988	Whiffin	D15/25
D. 322,792	12/1991	Park	D15/25
D. 359,497	6/1995	Rayner	D15/25
3,831,690	8/1974	Yamaoka et al.	180/6.66
3,850,473	11/1974	Huber	296/28 R

DESCRIPTION

FIG. 1 is a front perspective view of a front end loader, showing my new design;
FIG. 2 is a right side perspective view thereof;
FIG. 3 is a rear perspective view thereof;
FIG. 4 is a bottom plan view thereof; and,
FIG. 5 is a left side perspective view thereof.

1 Claim, 3 Drawing Sheets



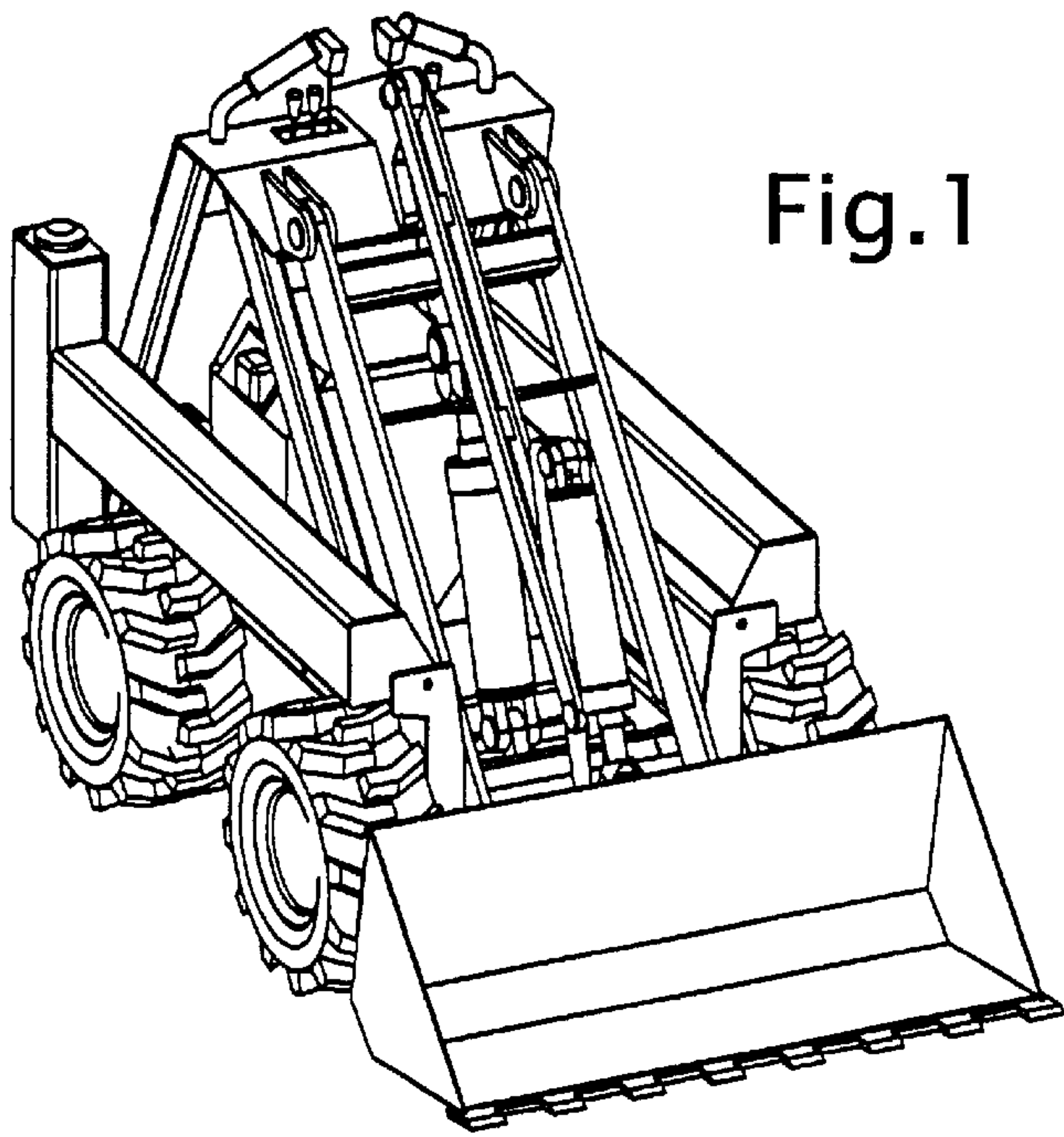


Fig. 1

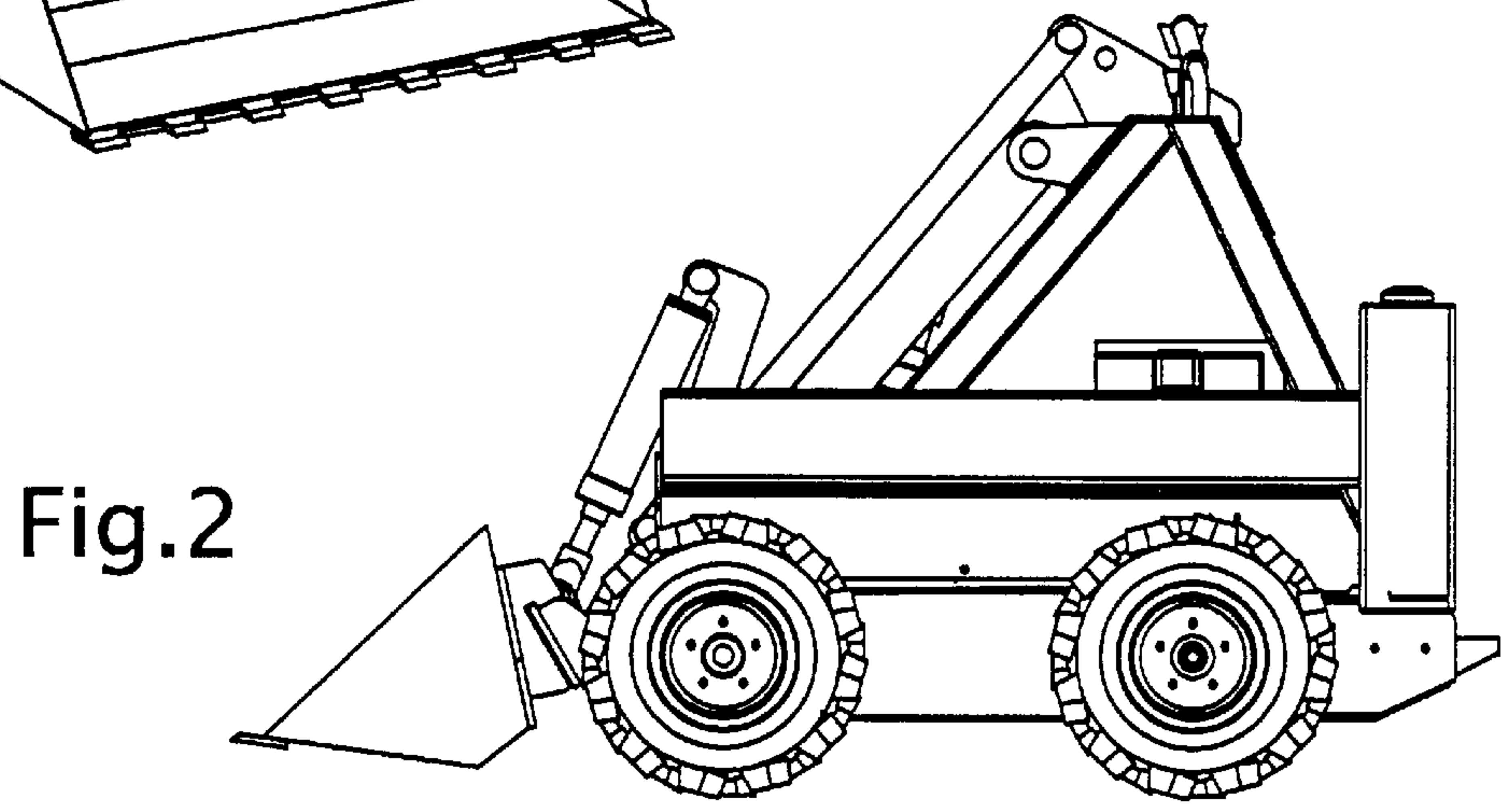


Fig. 2

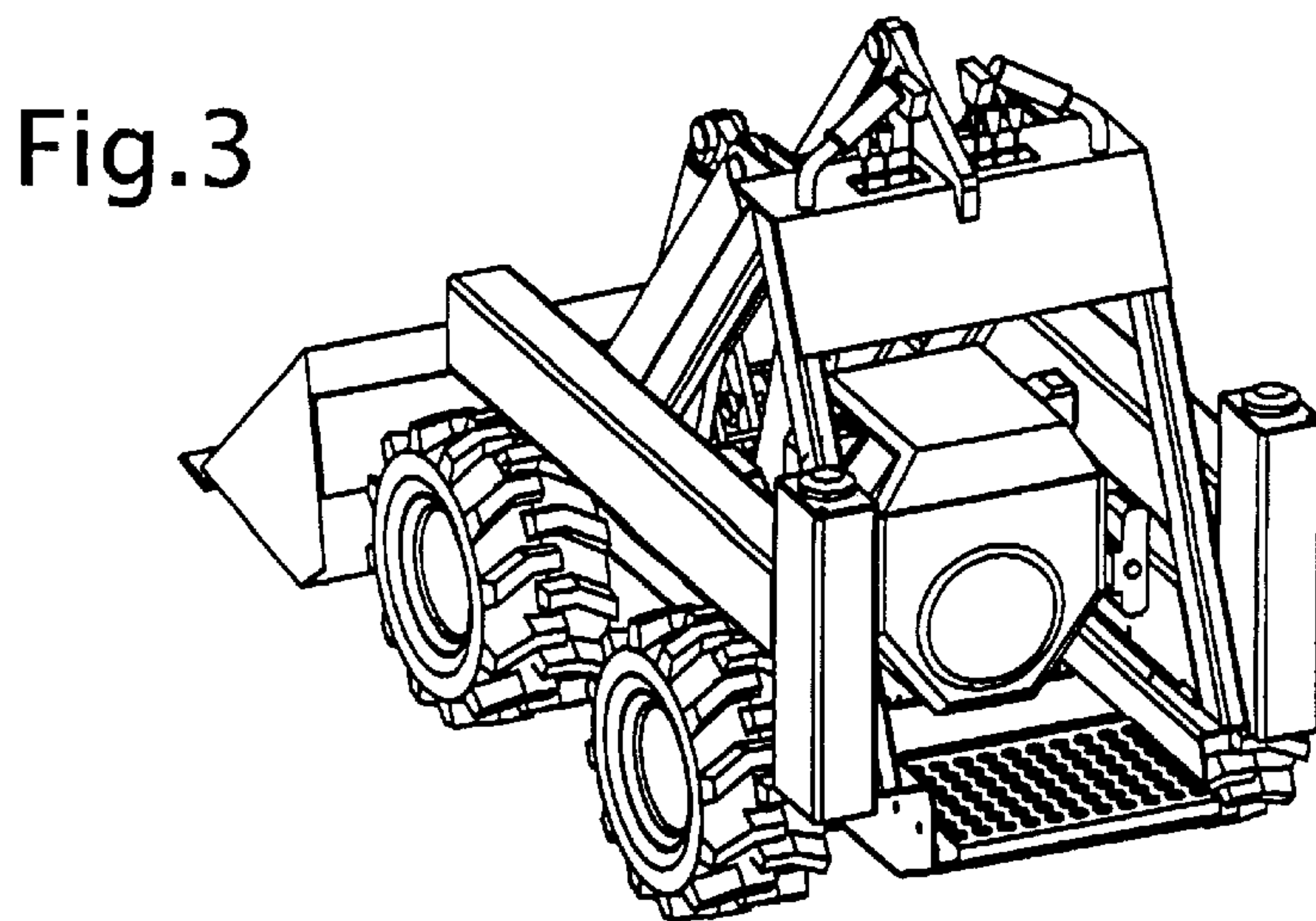


Fig. 3

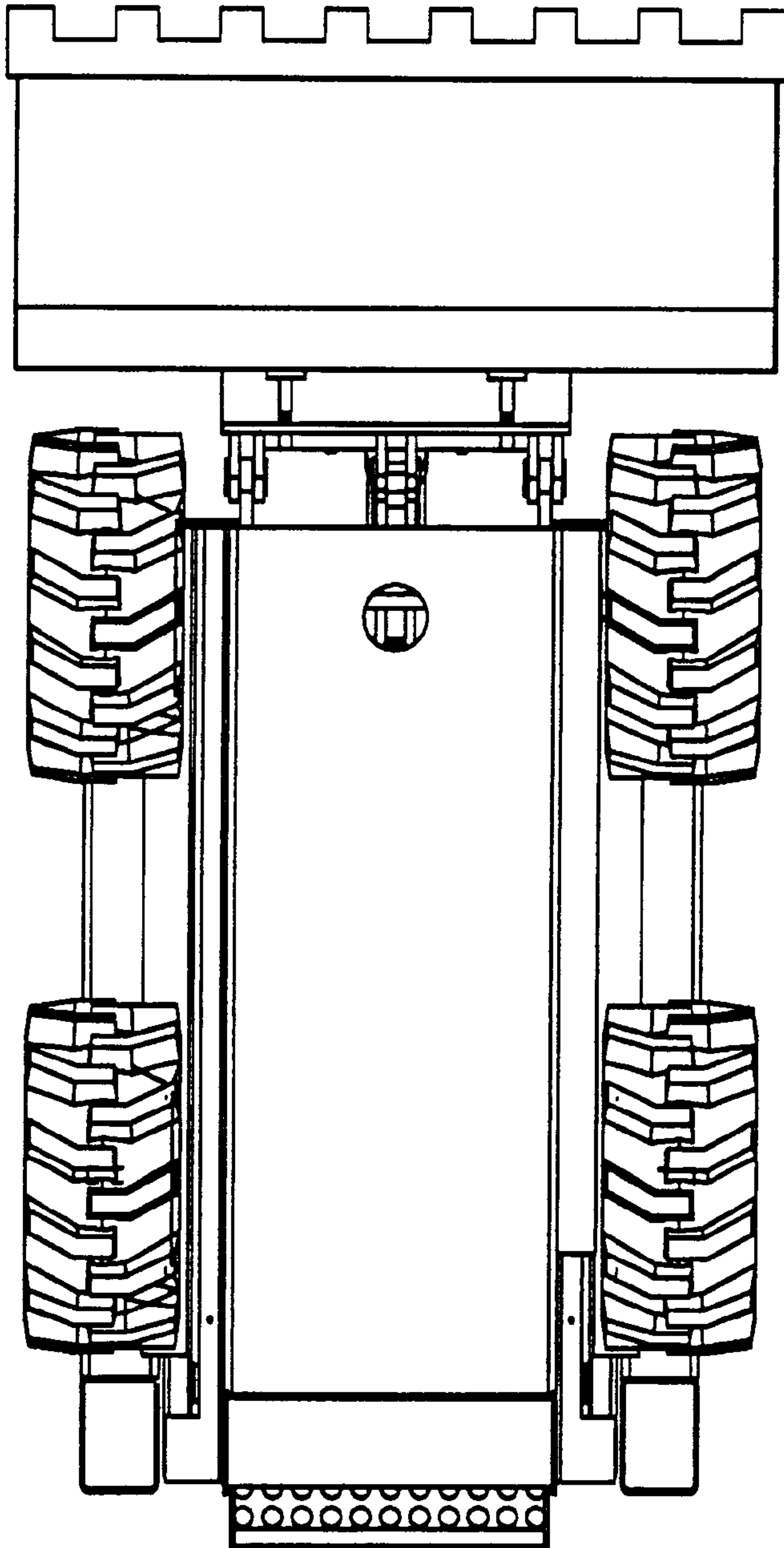


Fig. 4

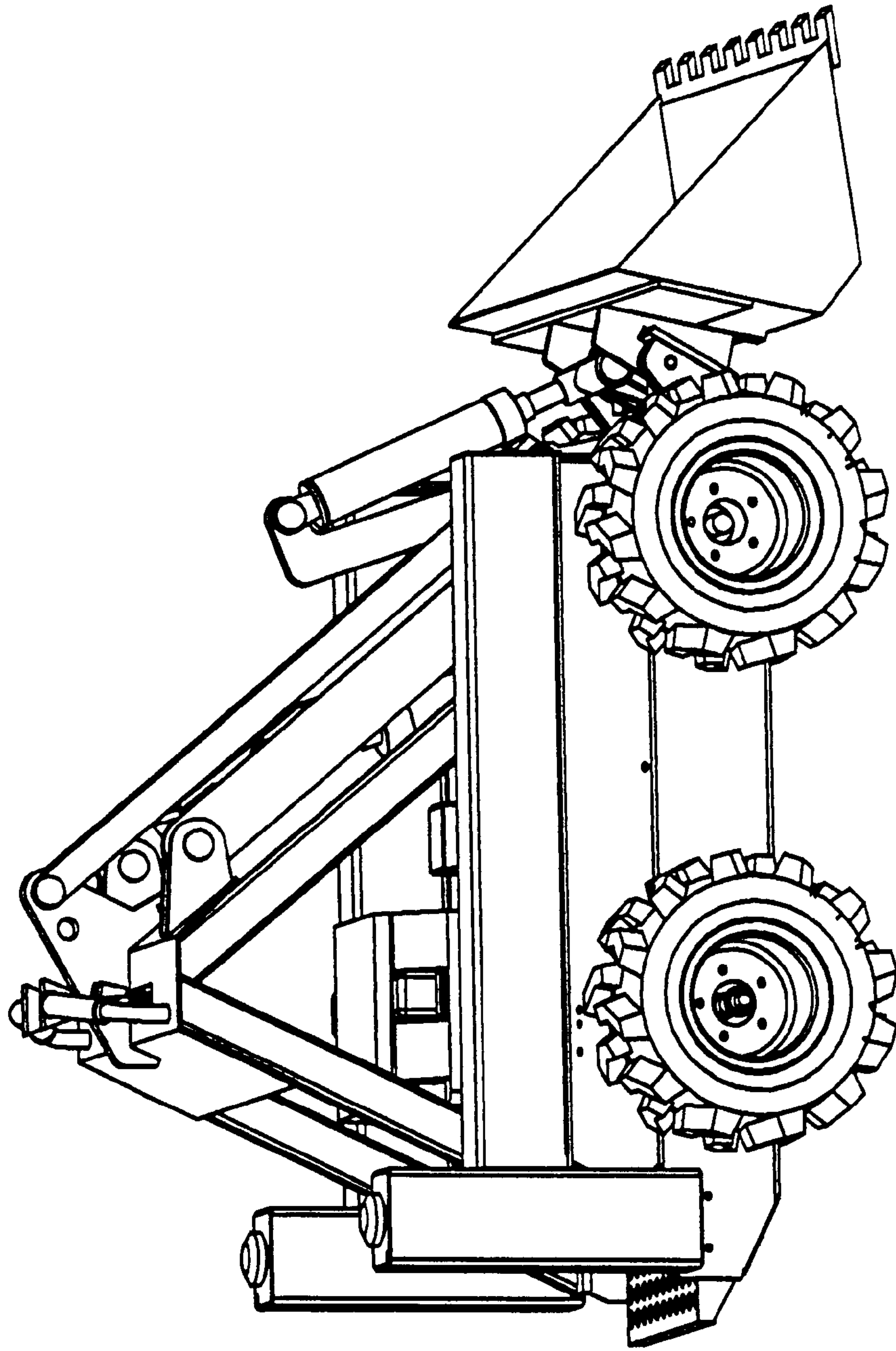


Fig. 5