



US00D431572S

United States Patent [19]

[11] Patent Number: **Des. 431,572**

Antony et al.

[45] Date of Patent: **** Oct. 3, 2000**

[54] GEAR HOUSING

[75] Inventors: **Gerhard Antony; Arthur Pantelides**, both of Virginia Beach; **William Long**, Chesapeake, all of Va.

[73] Assignee: **Sumitomo Machinery Corp. of America**, Chesapeake, Va.

[**] Term: **14 Years**

[21] Appl. No.: **29/102,575**

[22] Filed: **Mar. 26, 1999**

[51] LOC (7) Cl. **15-01**

[52] U.S. Cl. **D15/5**

[58] Field of Search D15/5-7, 148; 74/489, 606 R, 606 A, 607; 474/82, 144, 146; 476/42; 70/606 R; D12/124

[56] References Cited

U.S. PATENT DOCUMENTS

D. 327,272	6/1992	Cadotte et al.	D15/7
D. 327,273	6/1992	Cadotte et al.	D15/7
D. 356,094	3/1995	Curtis	D15/5
D. 405,096	2/1999	Dudeck	D15/7
D. 410,659	6/1999	Lannoch	D5/5

Primary Examiner—Ralf Seifert
Attorney, Agent, or Firm—Arent Fox Kintner Plotkin & Kahn, PLLC

[57] CLAIM

The ornamental design for gear housing, as shown and described.

DESCRIPTION

FIG. 1 is a perspective view of a first embodiment showing our new design configured as a gear motor assembly with a motor and an output shaft shown in dotted line;

FIG. 2 is a top view thereof;

FIG. 3 is a front view thereof;

FIG. 4 is a back view thereof;

FIG. 5 is a left side view thereof;

FIG. 6 is a right side view thereof;

FIG. 7 is a bottom view thereof;

FIG. 8 is a perspective view of a second embodiment showing our new design configured as a reducer assembly with the input and output shafts shown in dotted line;

FIG. 9 is a top view thereof;

FIG. 10 is a front view thereof;

FIG. 11 is a back view thereof;

FIG. 12 is a left side view thereof;

FIG. 13 is a right view thereof;

FIG. 14 is a bottom view thereof;

FIG. 15 is a perspective view of a third embodiment showing our new design configured solely as a gearbox casing;

FIG. 16 is a top view thereof;

FIG. 17 is a front view thereof;

FIG. 18 is a back view thereof;

FIG. 19 is a left side view thereof;

FIG. 20 is a right side view thereof; and,

FIG. 21 is a bottom view thereof.

The items shown in dotted line in the various views of the Figures do not form a part of our inventive design and are not claimed herein.

1 Claim, 21 Drawing Sheets

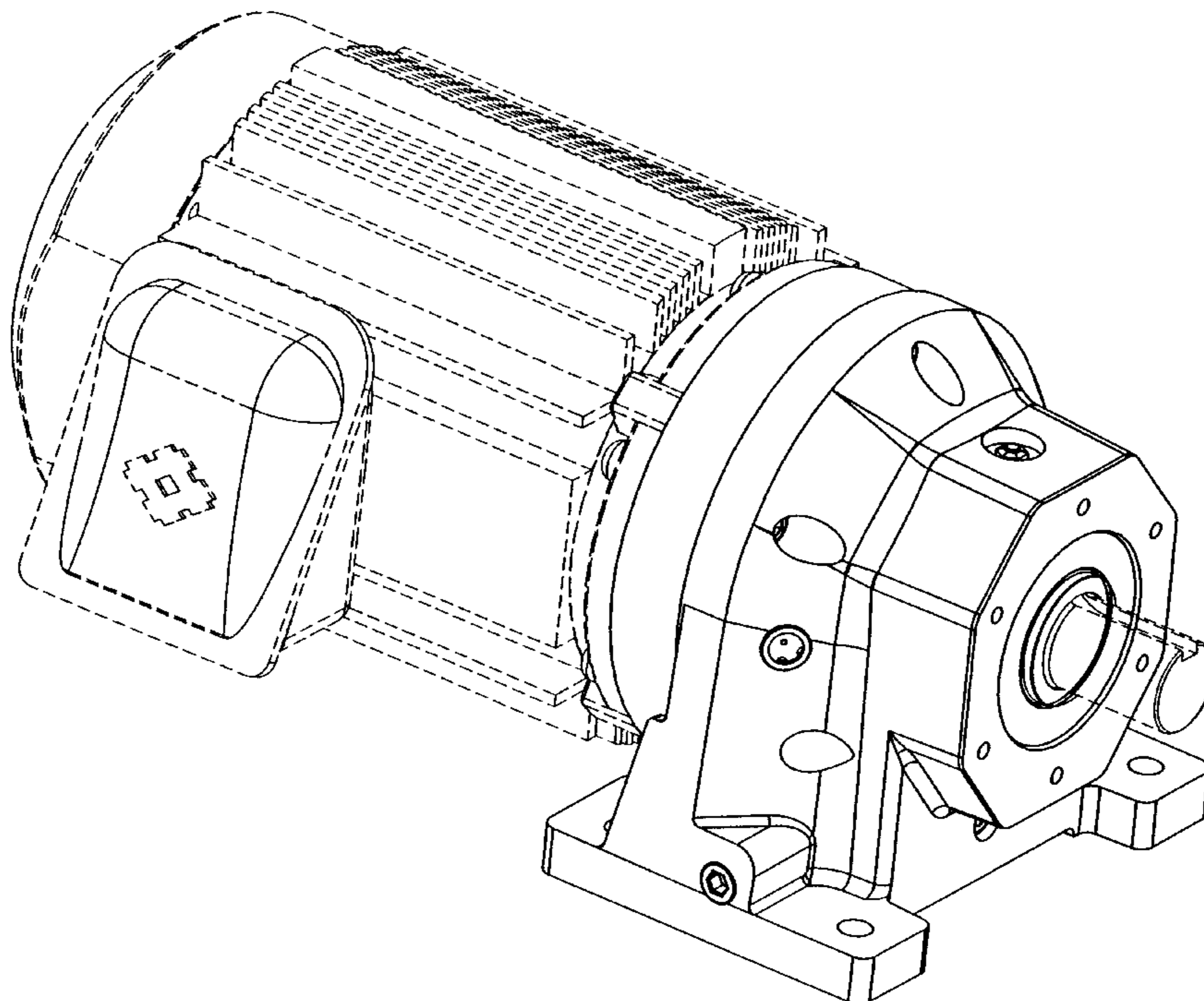


FIG.1

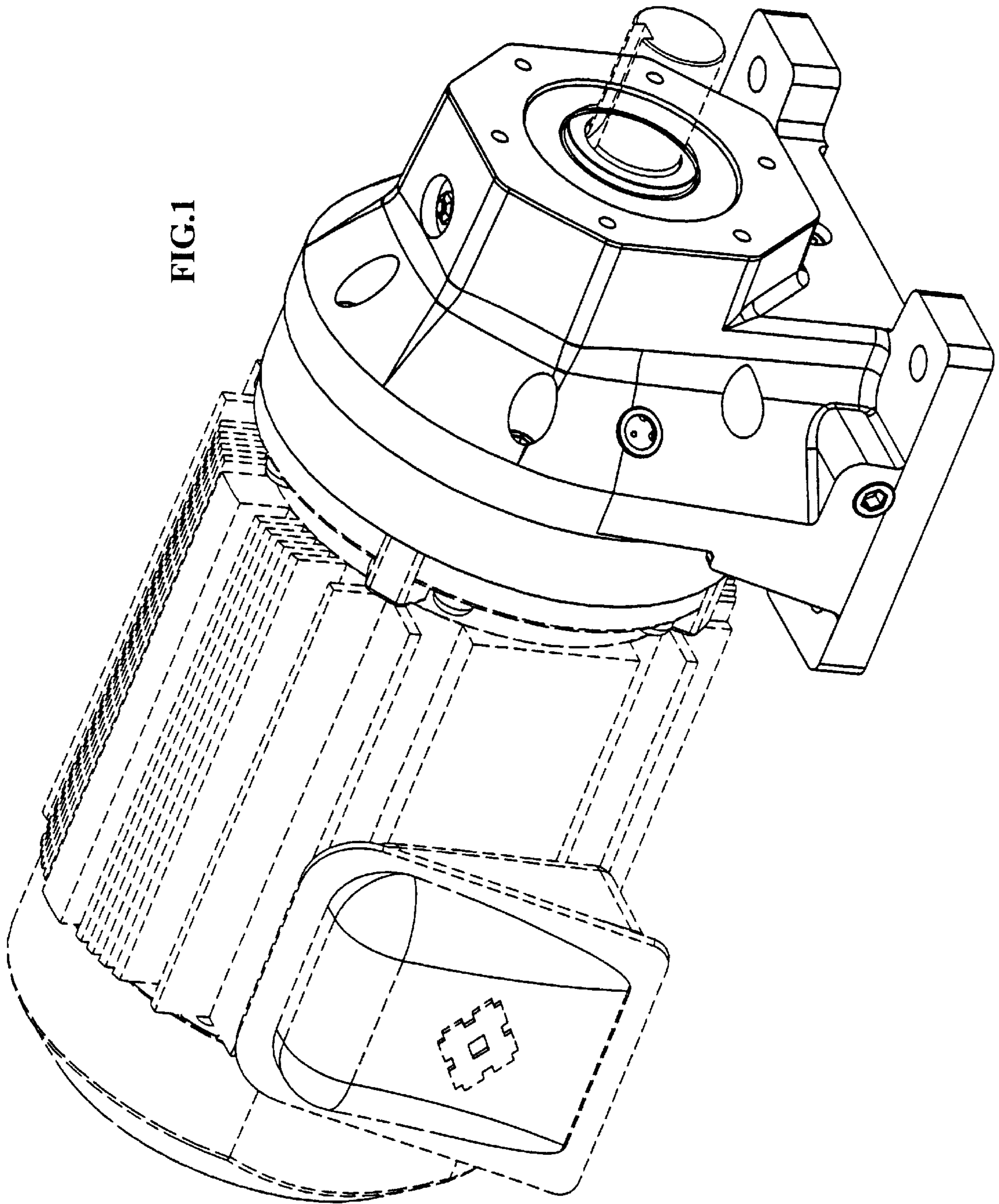
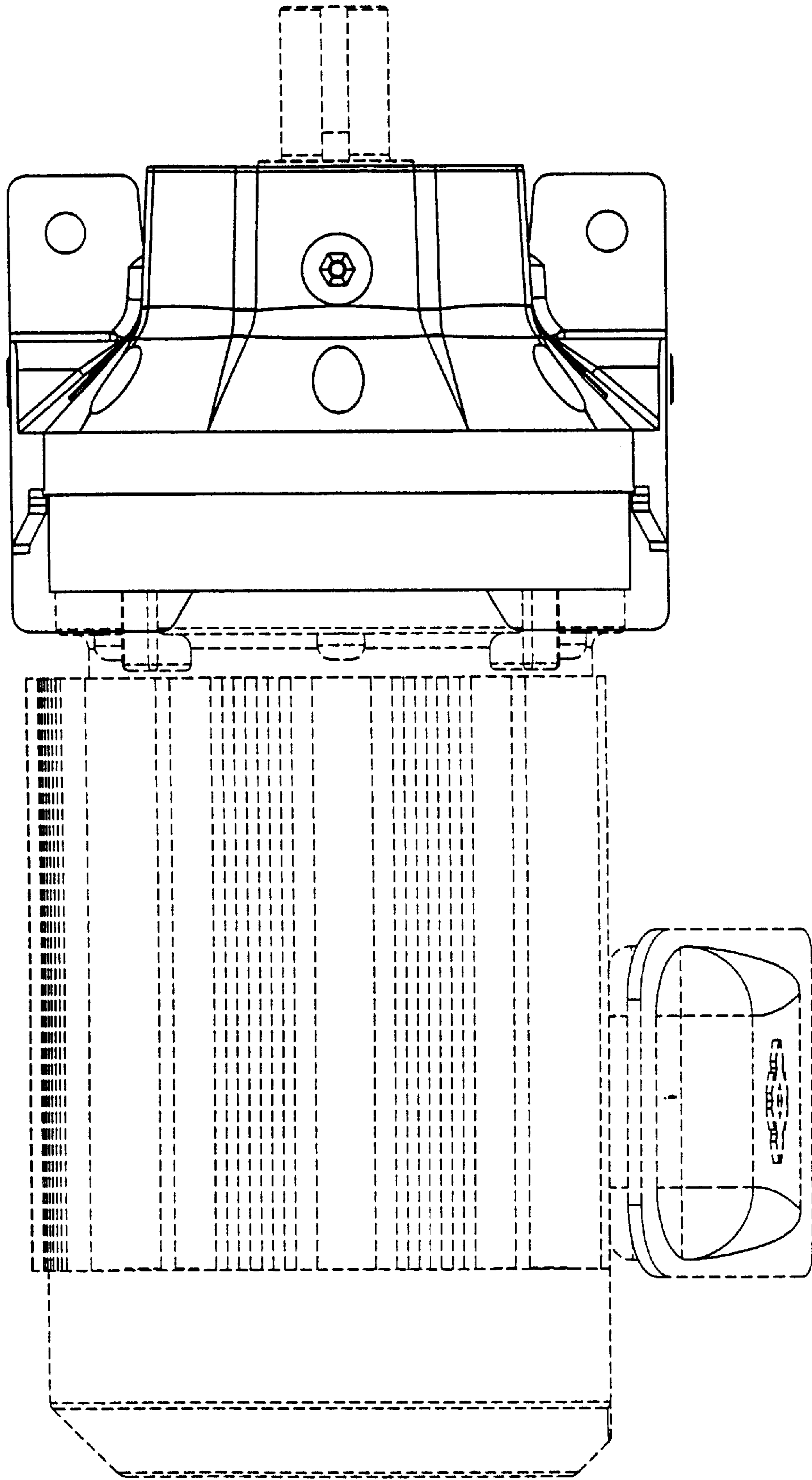


FIG. 2



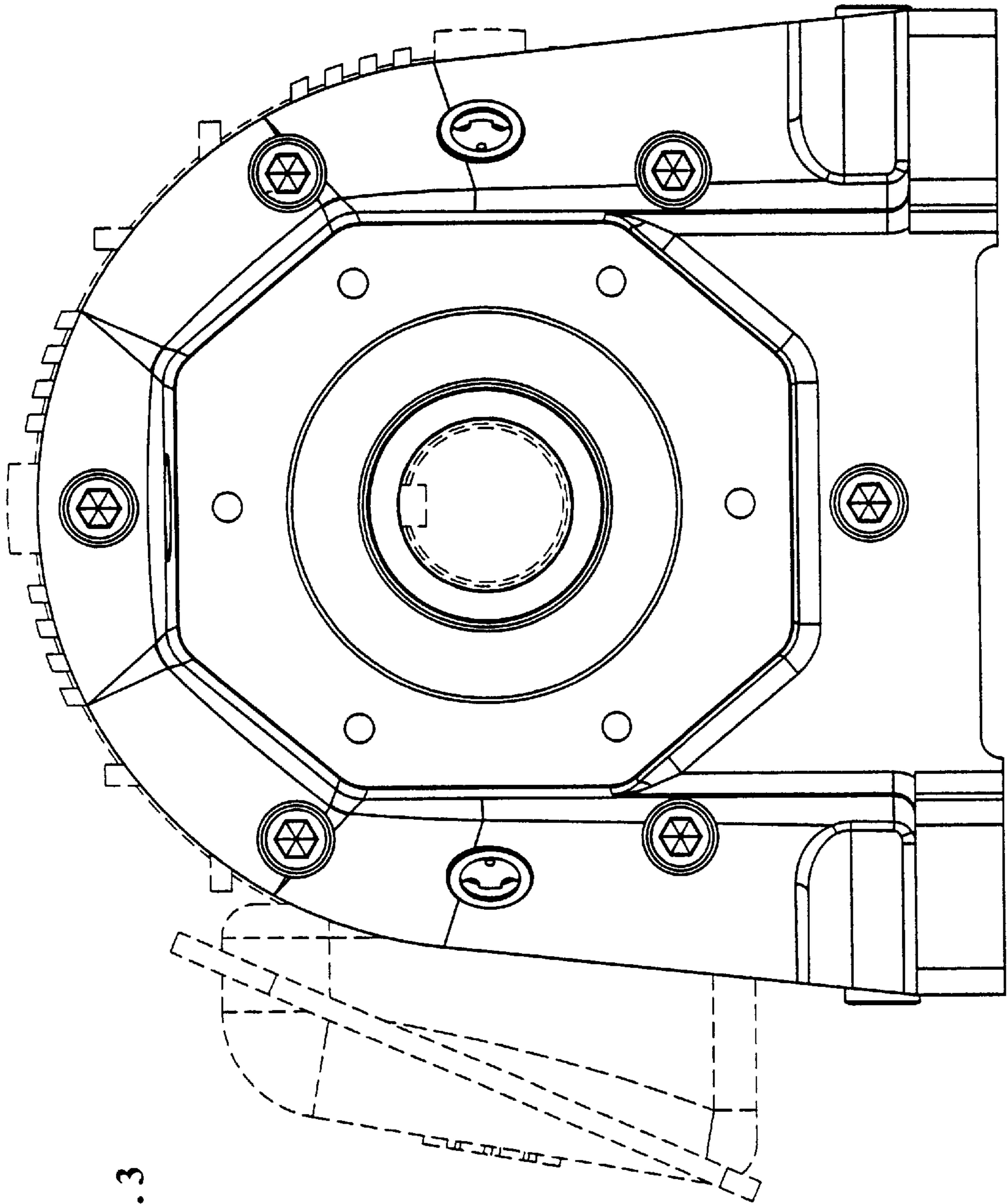


FIG. 3

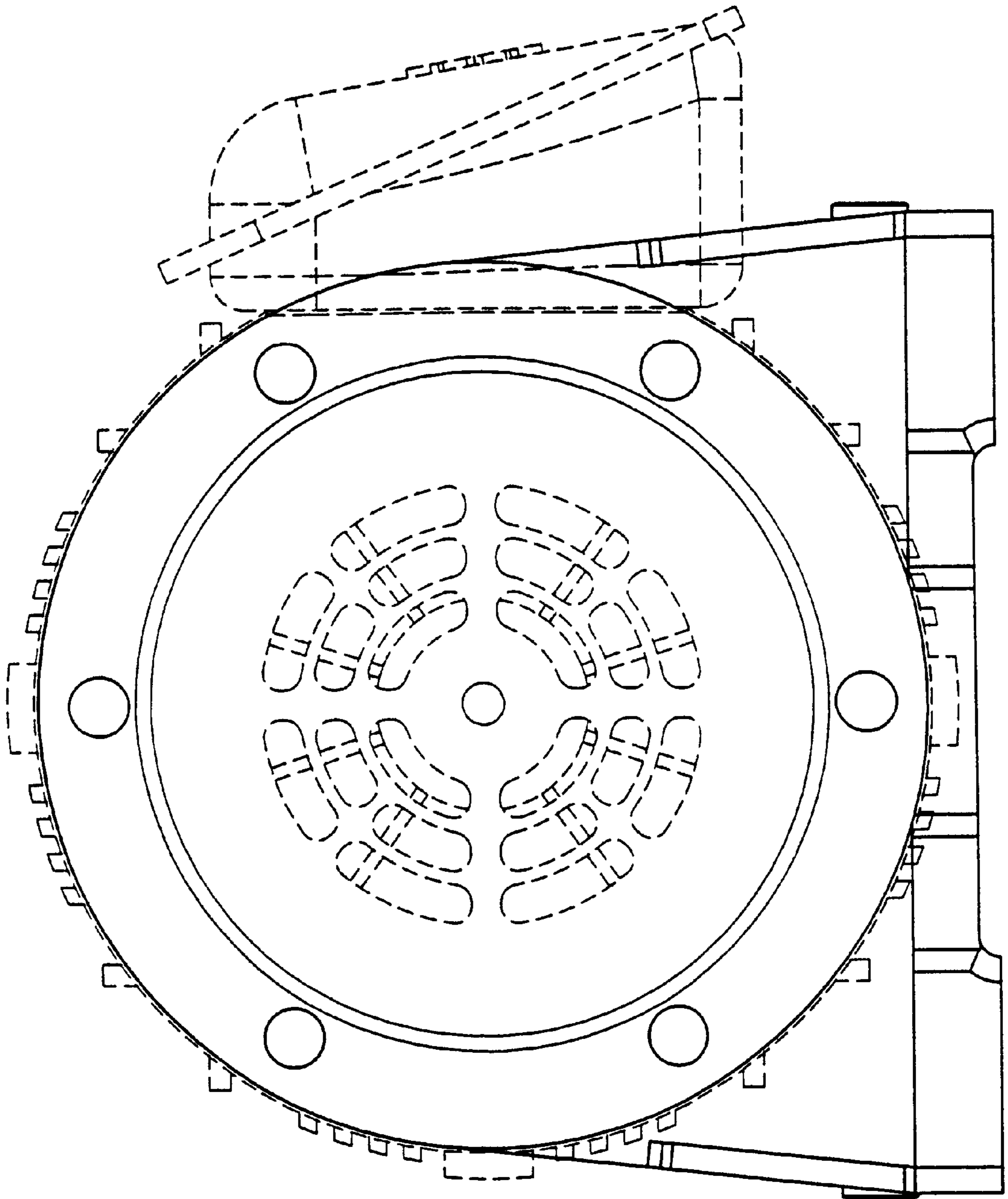


FIG. 4

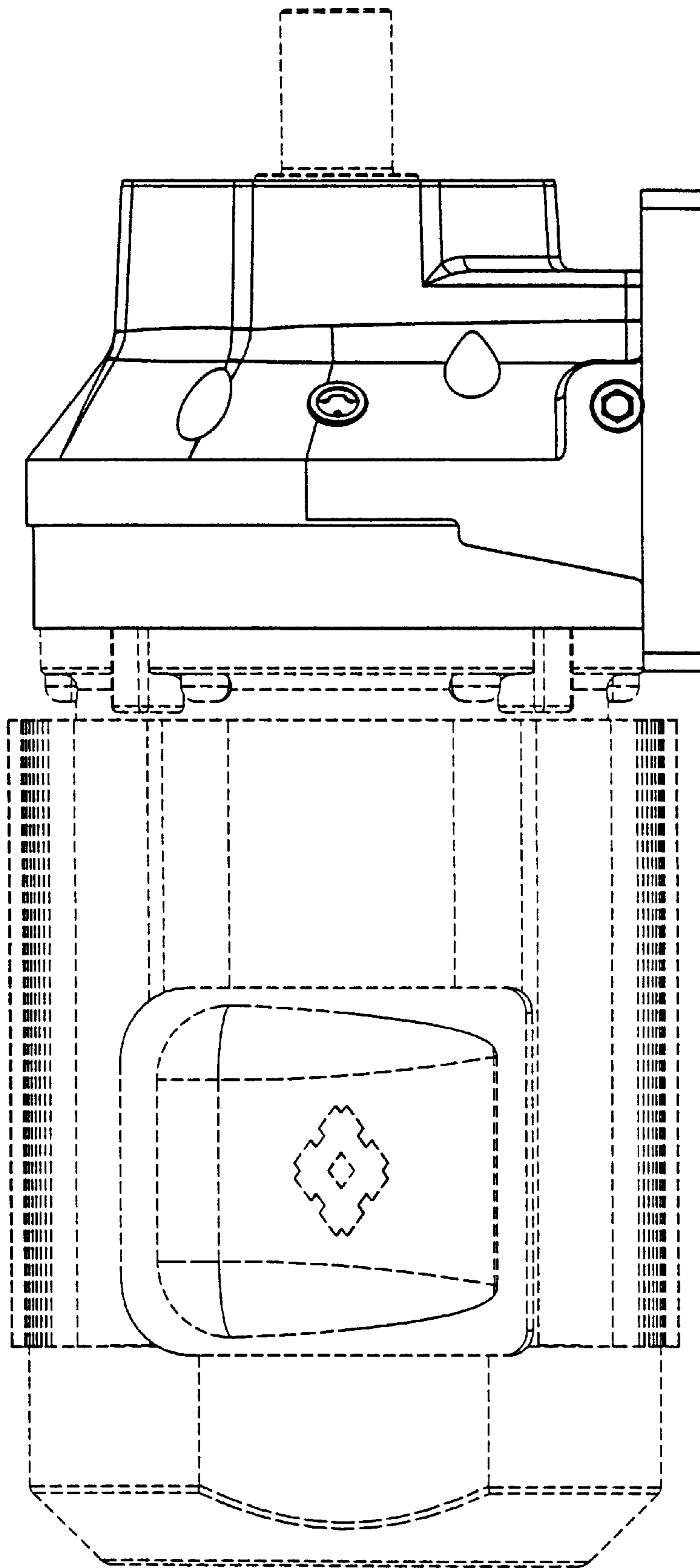


FIG. 5

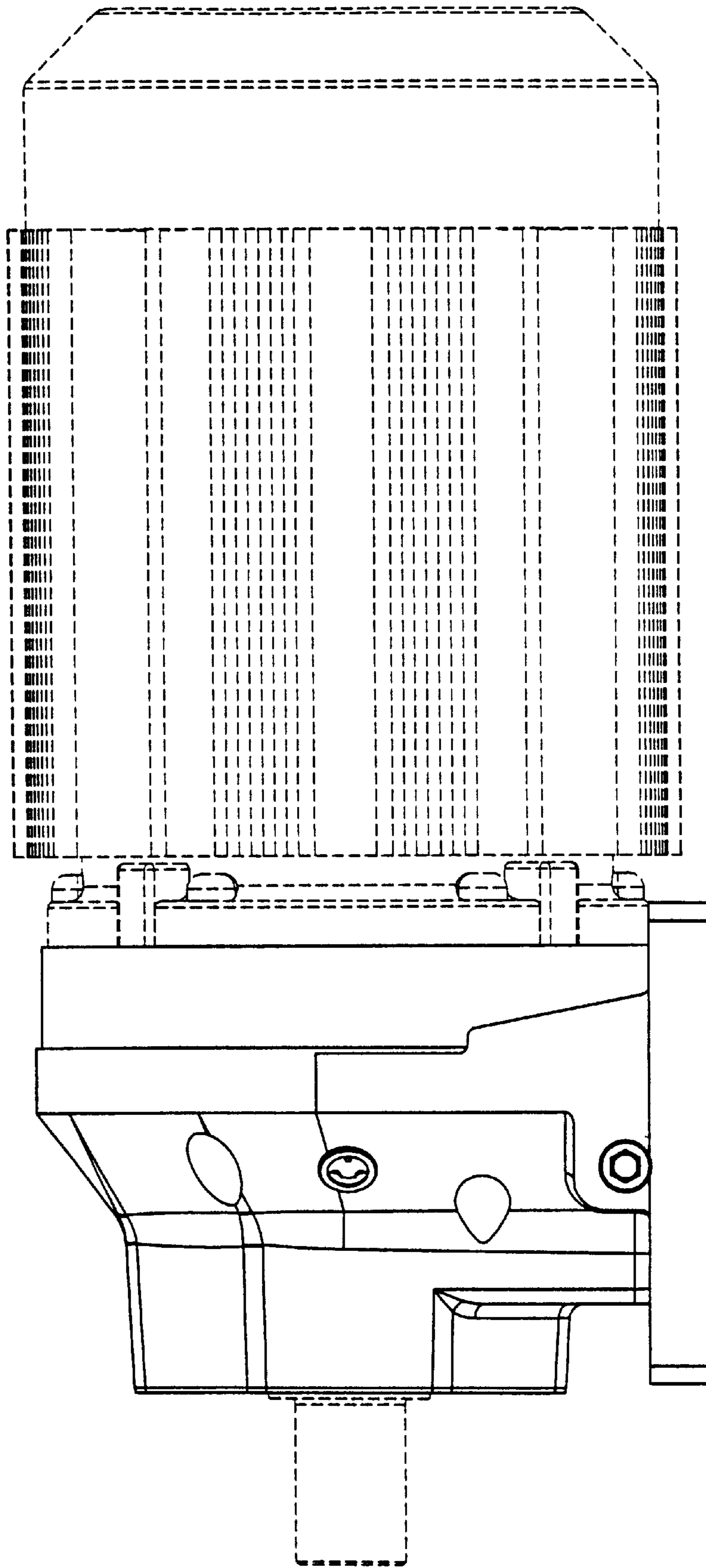
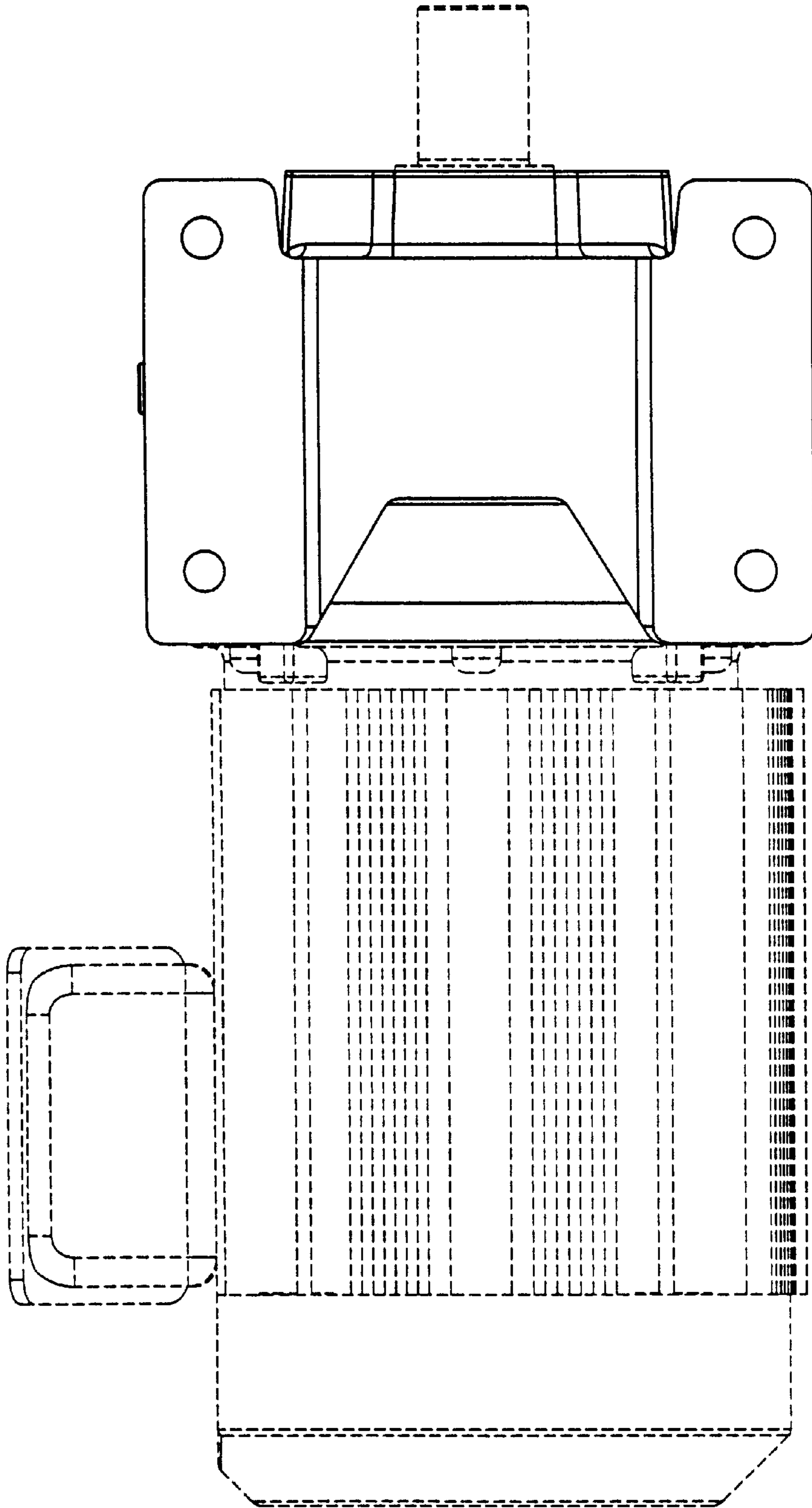


FIG. 6

FIG. 7



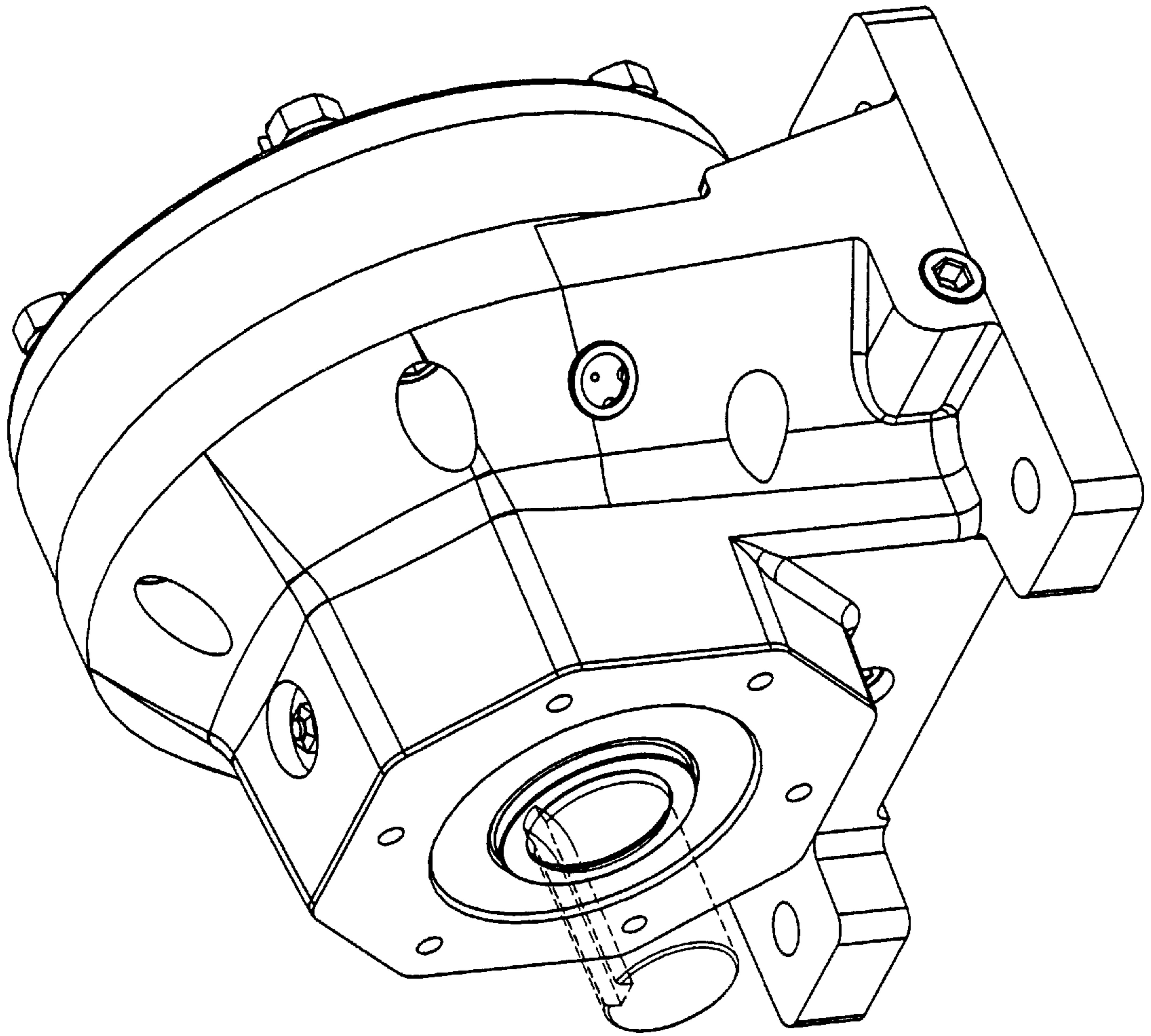
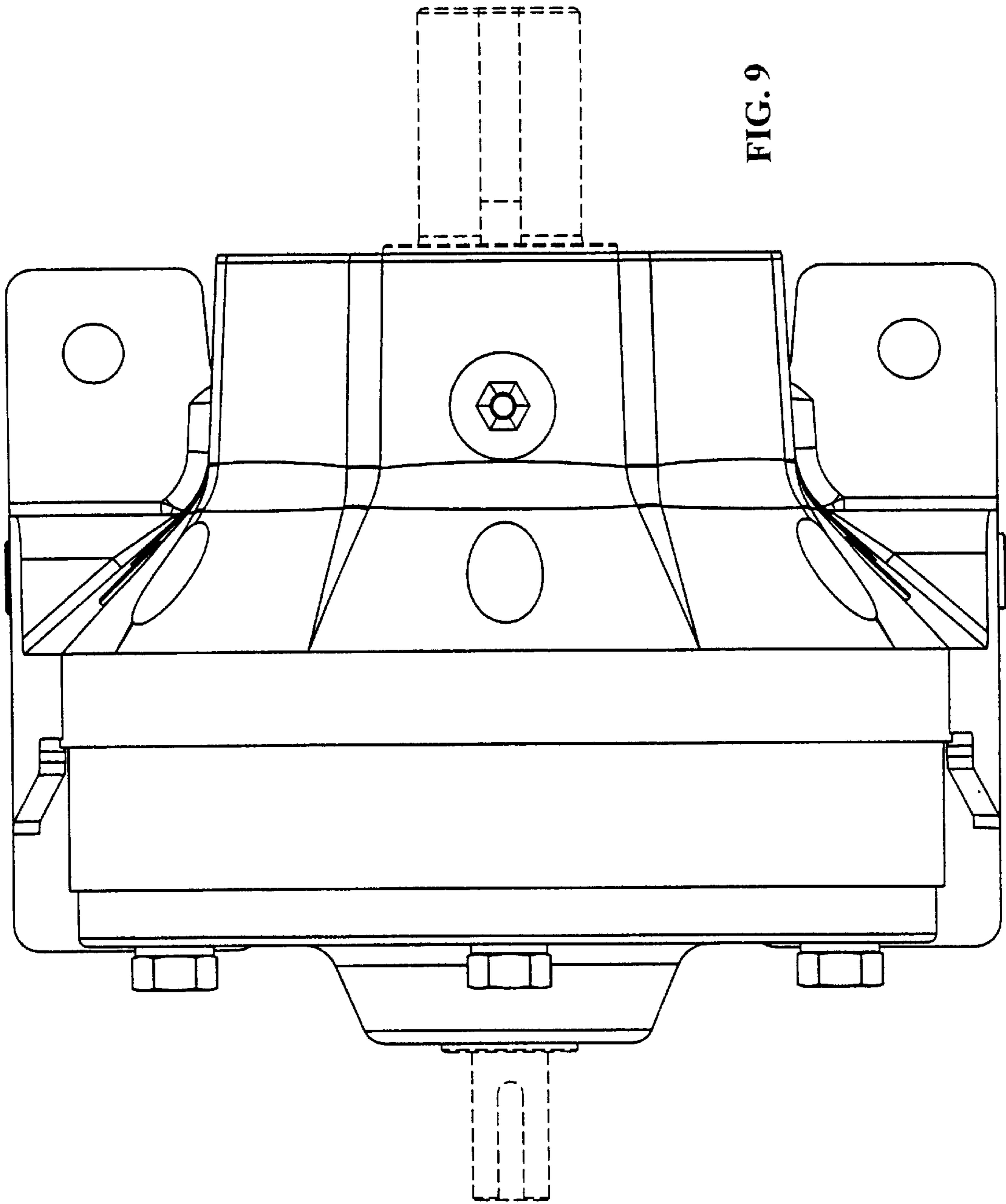


FIG. 8



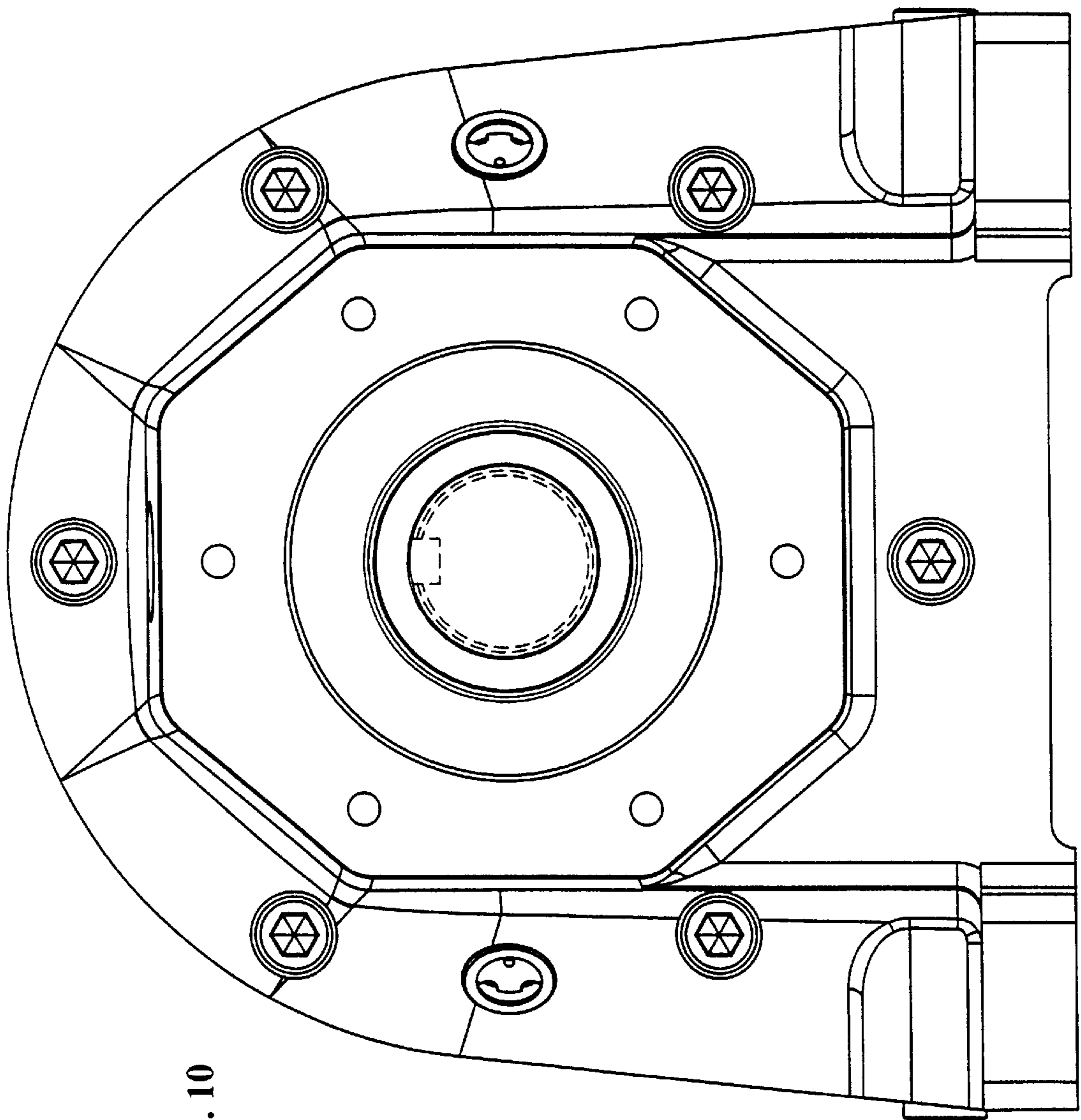


FIG. 10

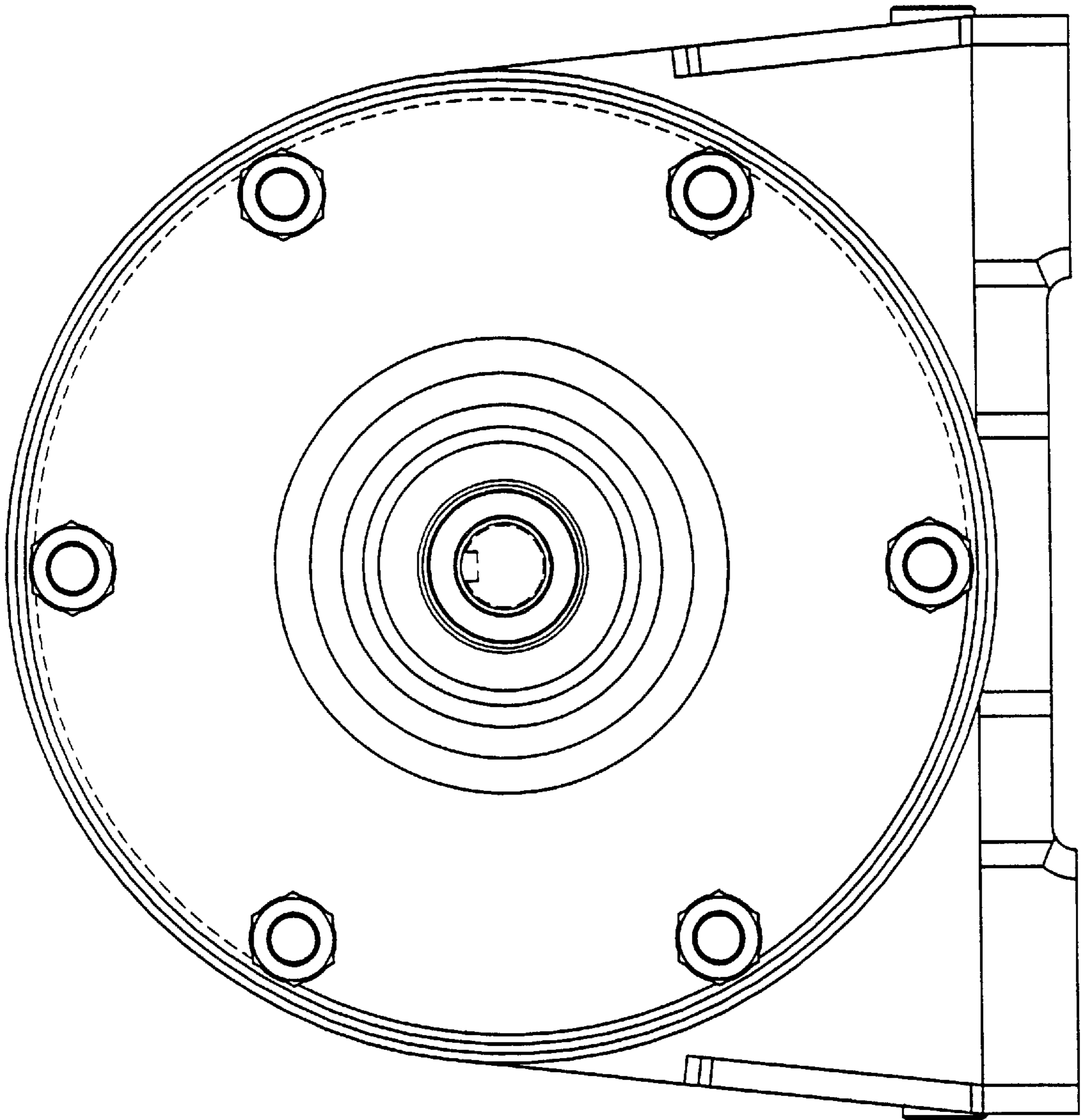


FIG. 11

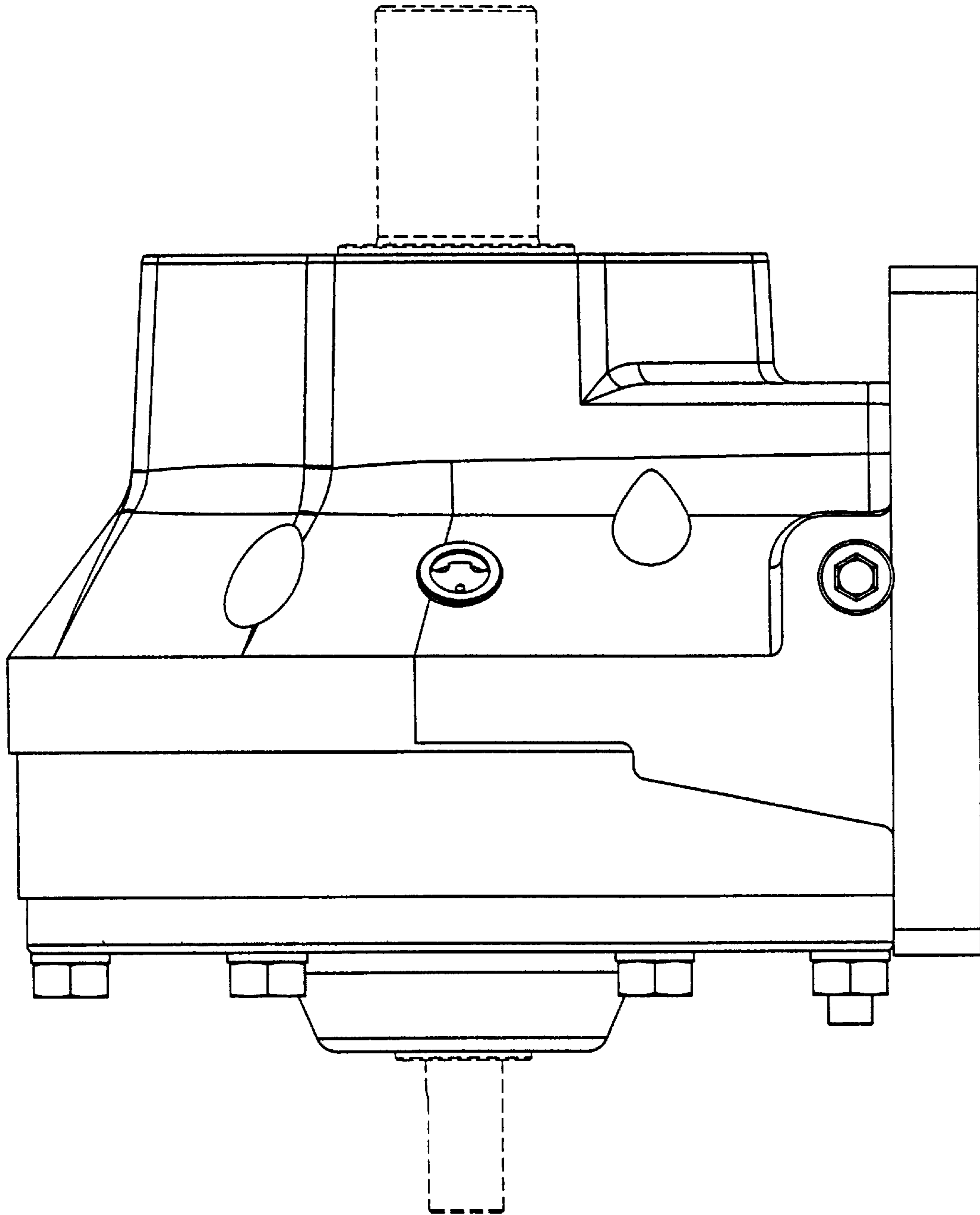


FIG. 12

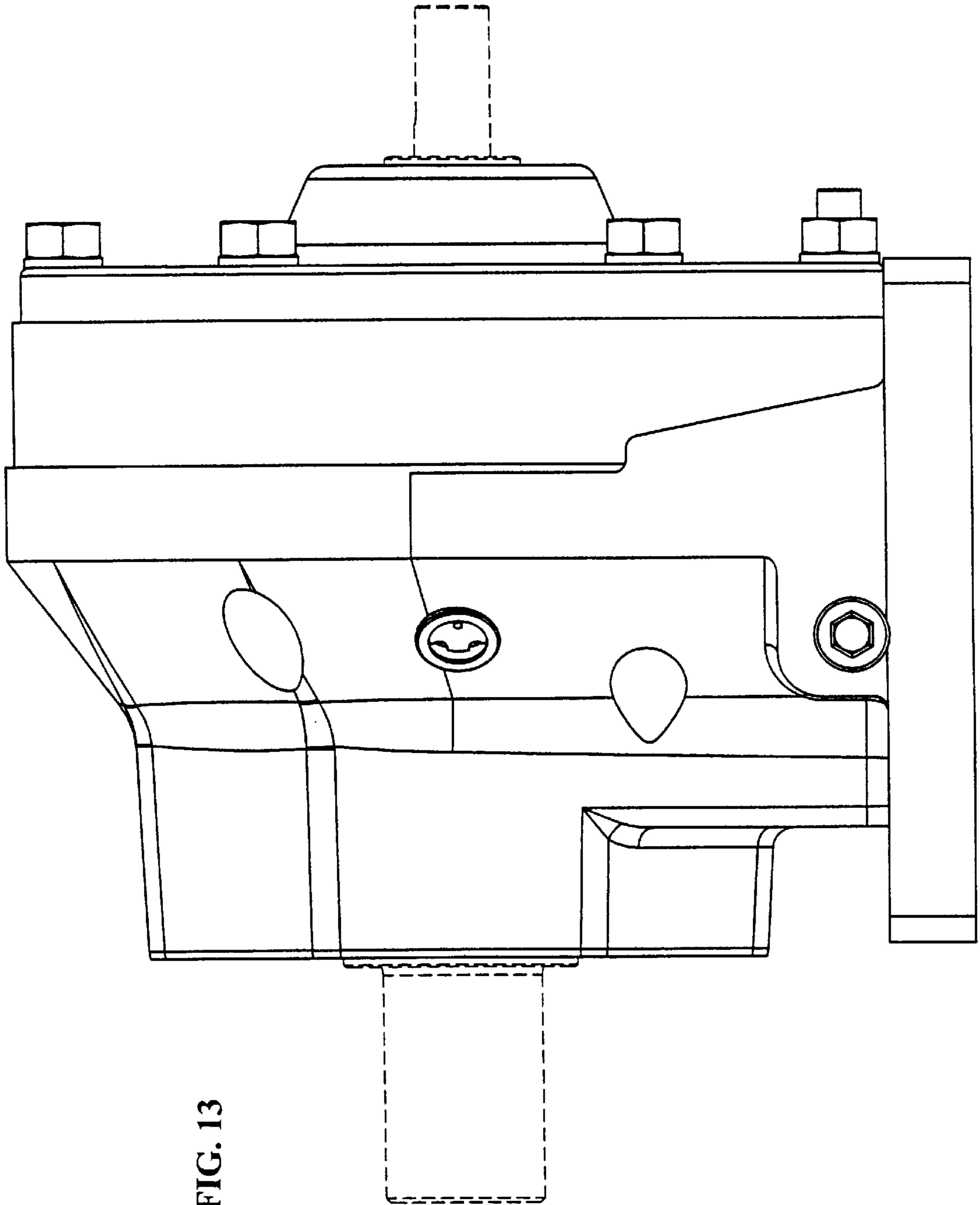


FIG. 13

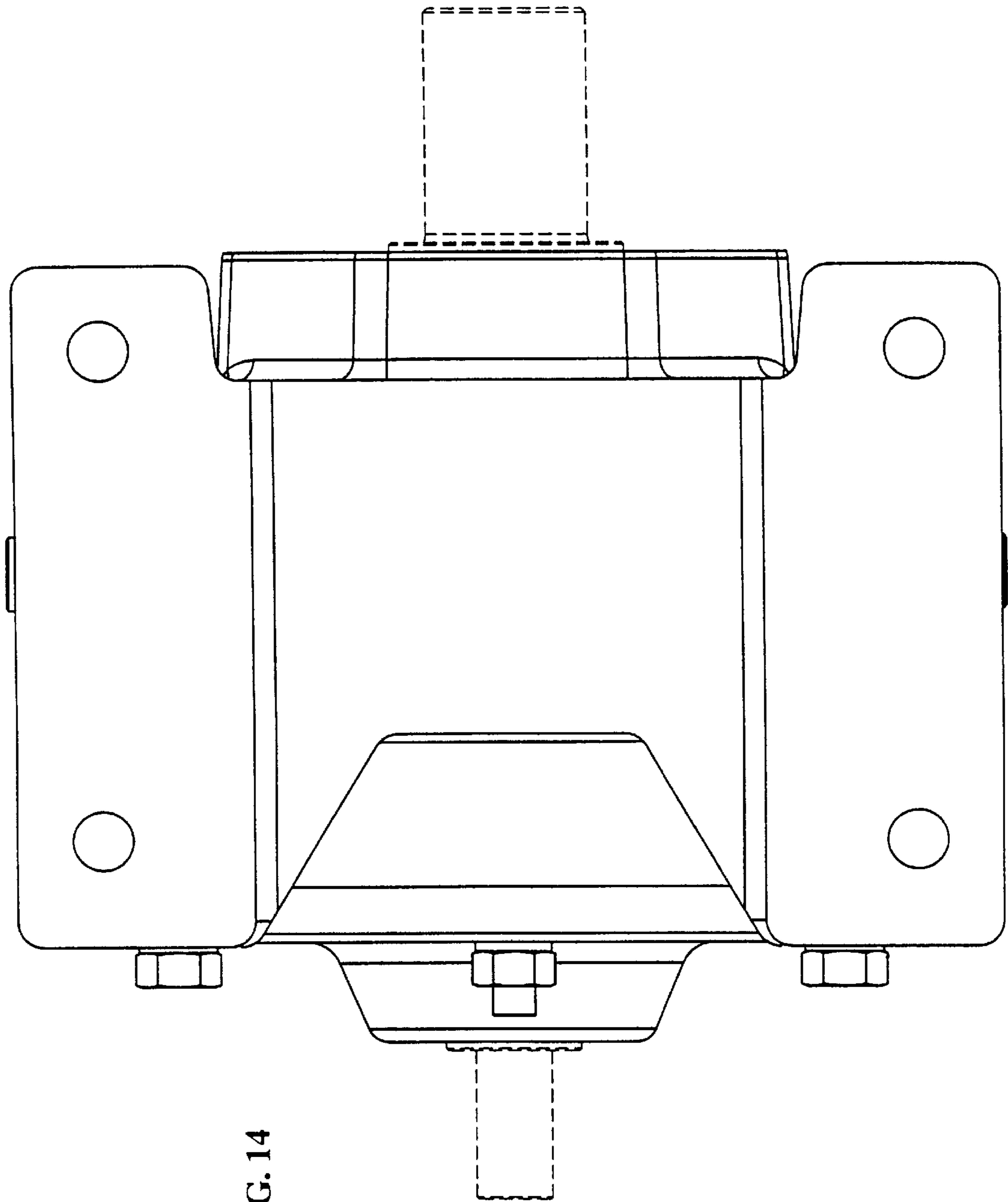


FIG. 14

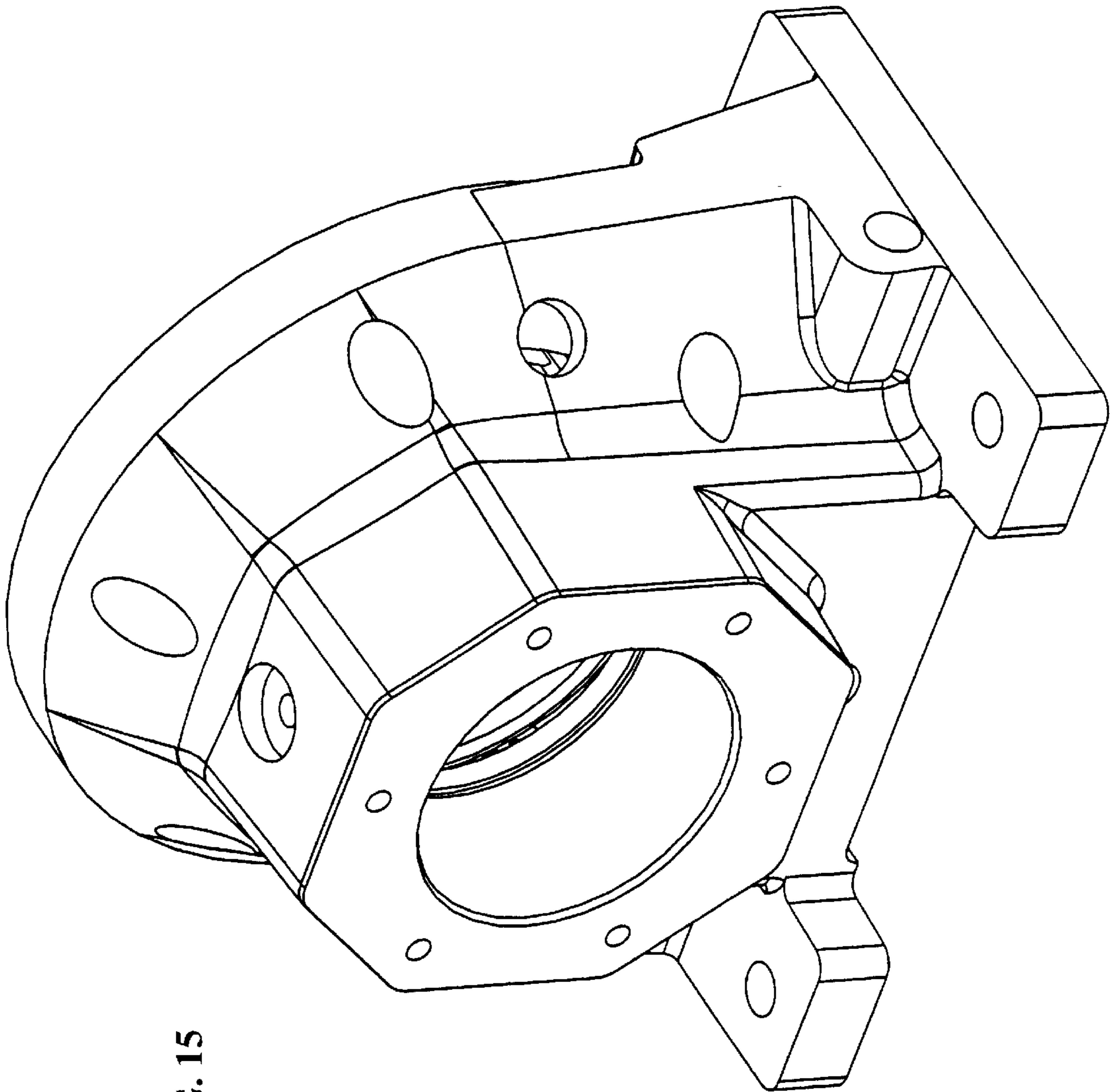


FIG. 15

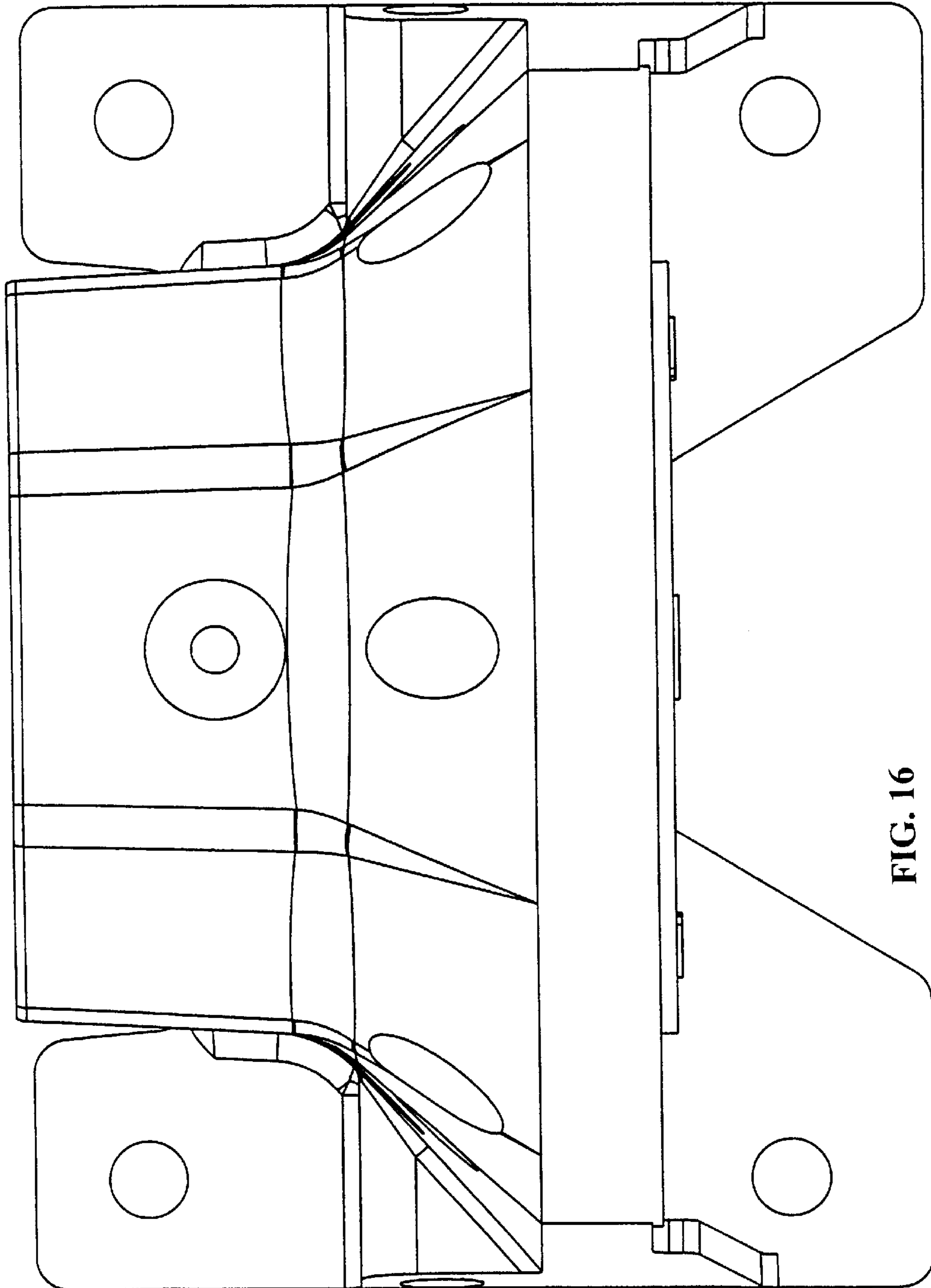


FIG. 16

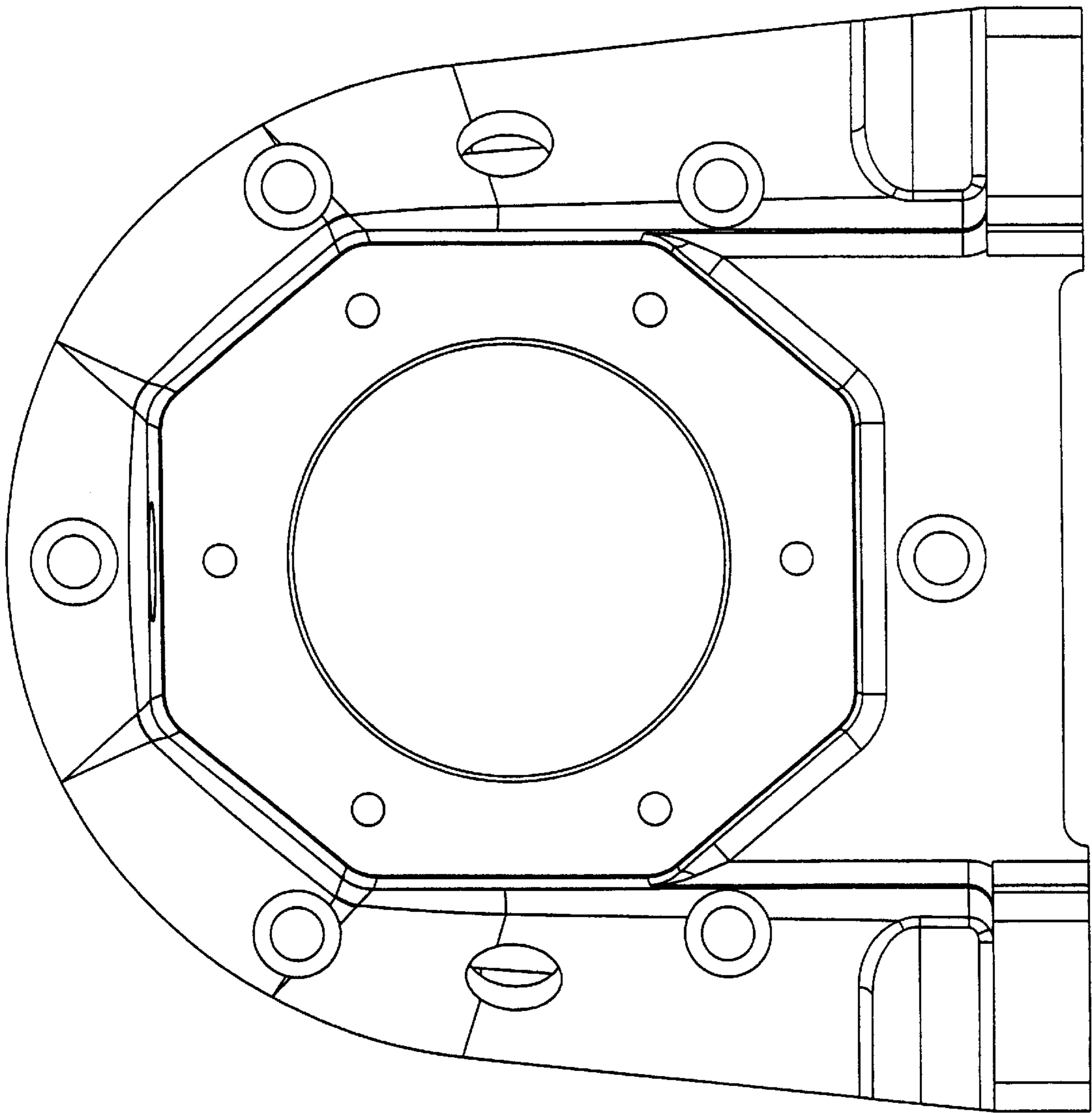


FIG. 17

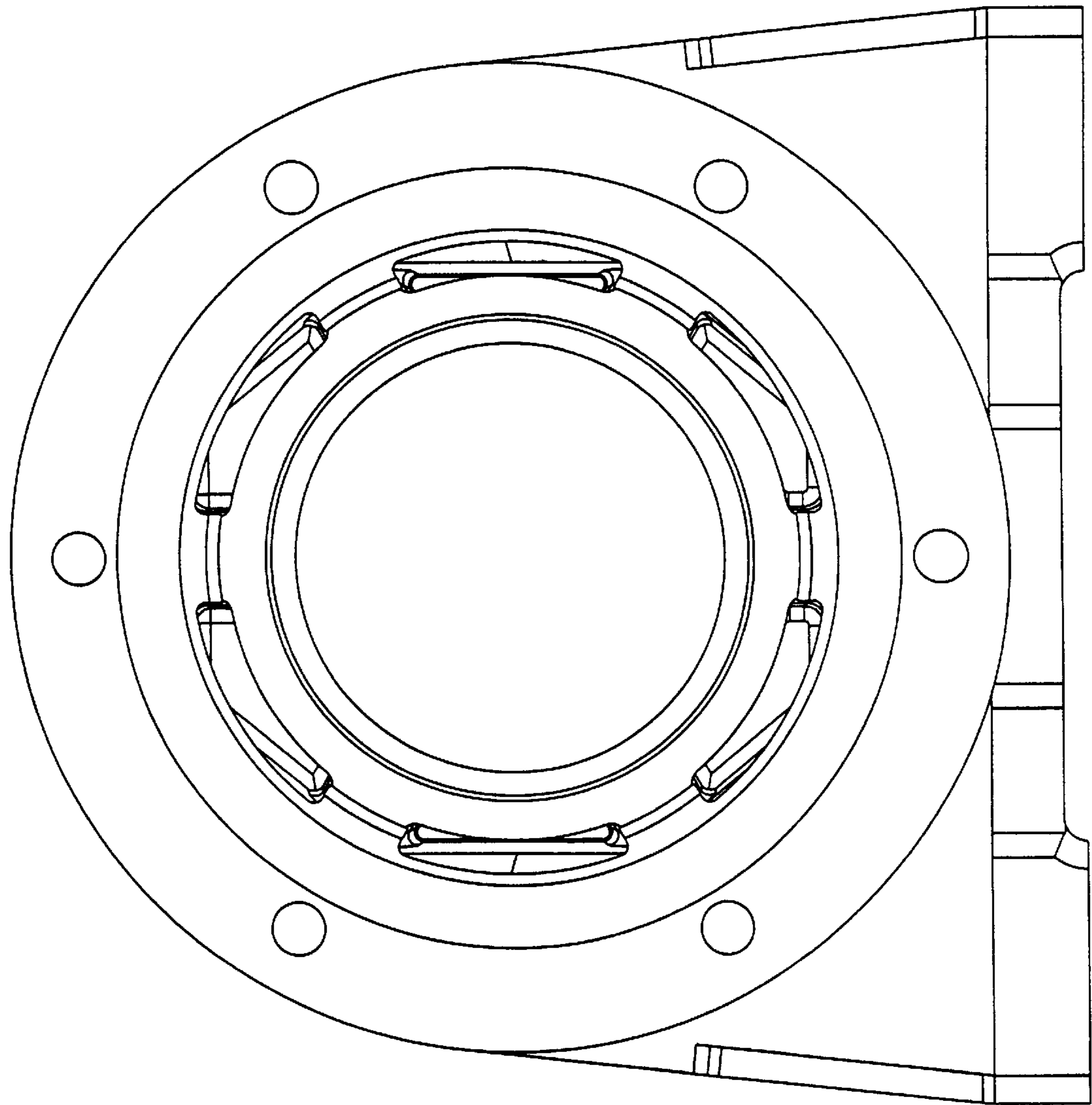


FIG. 18

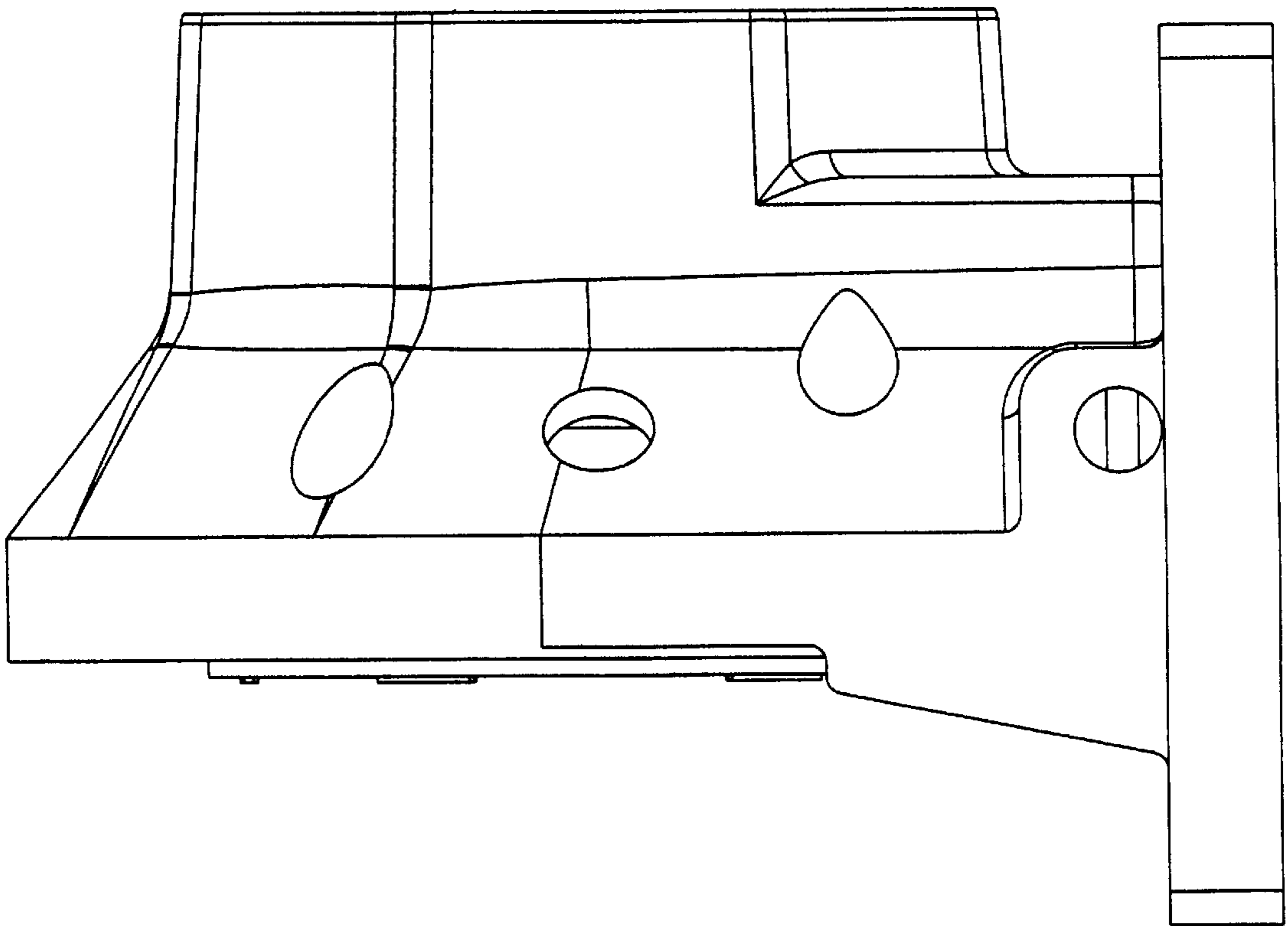
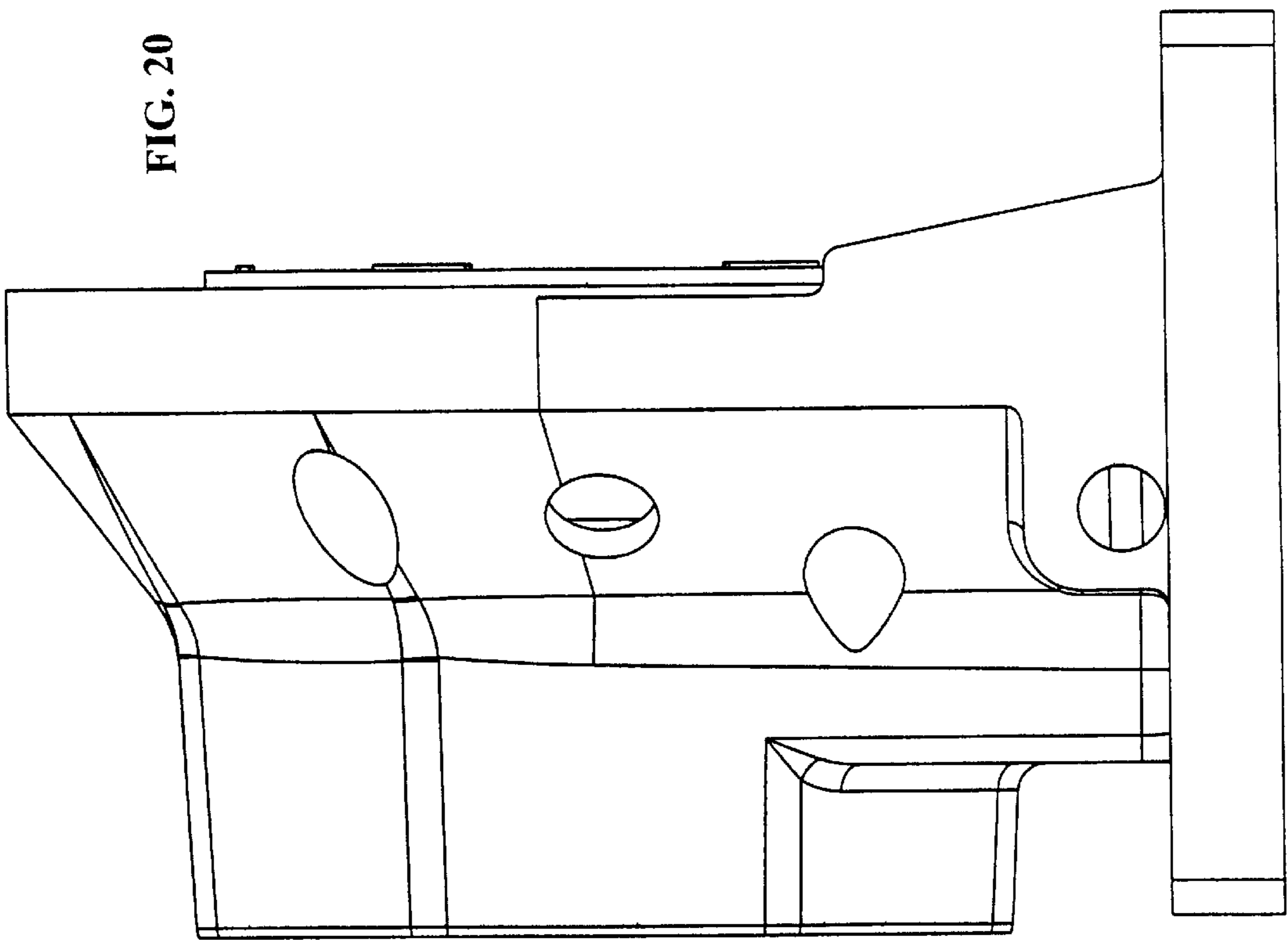


FIG. 19

FIG. 20



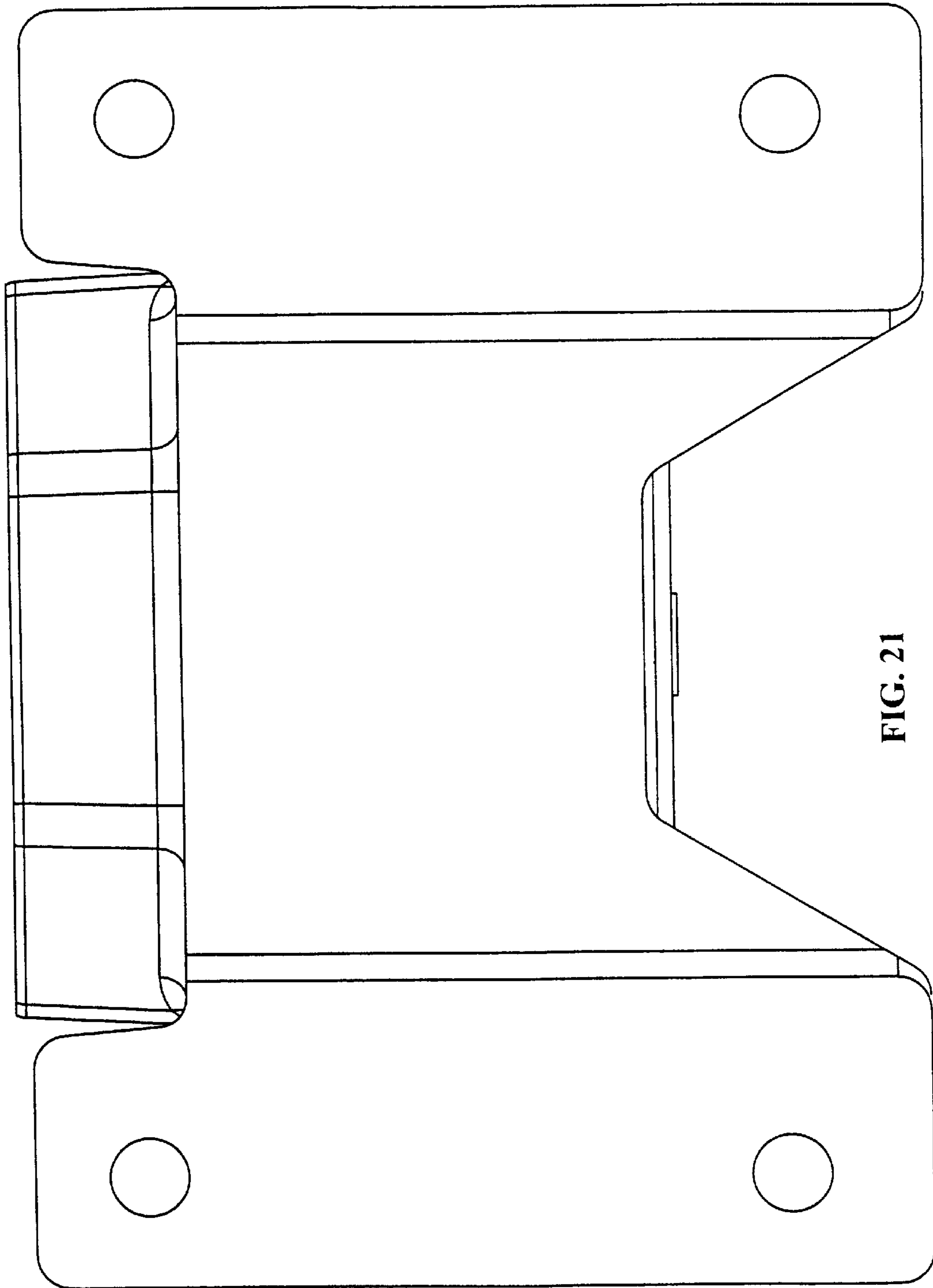


FIG. 21