



US00D431571S

United States Patent [19]
Morgan

[11] **Patent Number: Des. 431,571**
[45] **Date of Patent: ** Oct. 3, 2000**

[54] **COMPUTER MONITOR COVER**

DESCRIPTION

[75] Inventor: **Spencer T. Morgan**, Cincinnati, Ohio

[73] Assignee: **Computer System Enhancement, Inc.**,
Cincinnati, Ohio

[**] Term: **14 Years**

[21] Appl. No.: **29/104,115**

[22] Filed: **Apr. 28, 1999**

[51] **LOC (7) Cl.** **14-02**

[52] **U.S. Cl.** **D14/449**

[58] **Field of Search** D14/100, 114;
D18/50, 54, 56; 181/200-1; 150/154, 157,
164-66

[56] **References Cited**

U.S. PATENT DOCUMENTS

- D. 237,755 11/1975 Ray .
- D. 382,260 8/1997 Smith .
- D. 401,576 11/1998 Watkins .
- 4,308,905 1/1982 Gallagher .
- 4,932,524 6/1990 Hodson .
- 5,163,870 11/1992 Cooper .
- 5,759,644 6/1998 Stanley .
- 5,868,189 2/1999 Jarvis .

Primary Examiner—M. H. Tung
Attorney, Agent, or Firm—Steven J. Rosen

[57] **CLAIM**

The ornamental design for a computer monitor cover, as shown and described.

FIG. 1 is an isometric view of a computer monitor showing my new design.

FIG. 2 is a front elevational view thereof.

FIG. 3 is a top plan view thereof.

FIG. 4 is a side elevational view thereof, the opposite side is a mirror image.

FIG. 5 is a rear view elevational view thereof.

FIG. 6 is a bottom plan view thereof.

FIG. 7 is an isometric view of a second embodiment thereof, the broken line drawing of a decorative design is for illustrative purposes only and forms no part of the claimed design as shown in this embodiment. The front, top, side, rear and bottom views are identical to FIGS. 2-6, respectively, except for the broken line disclosure.

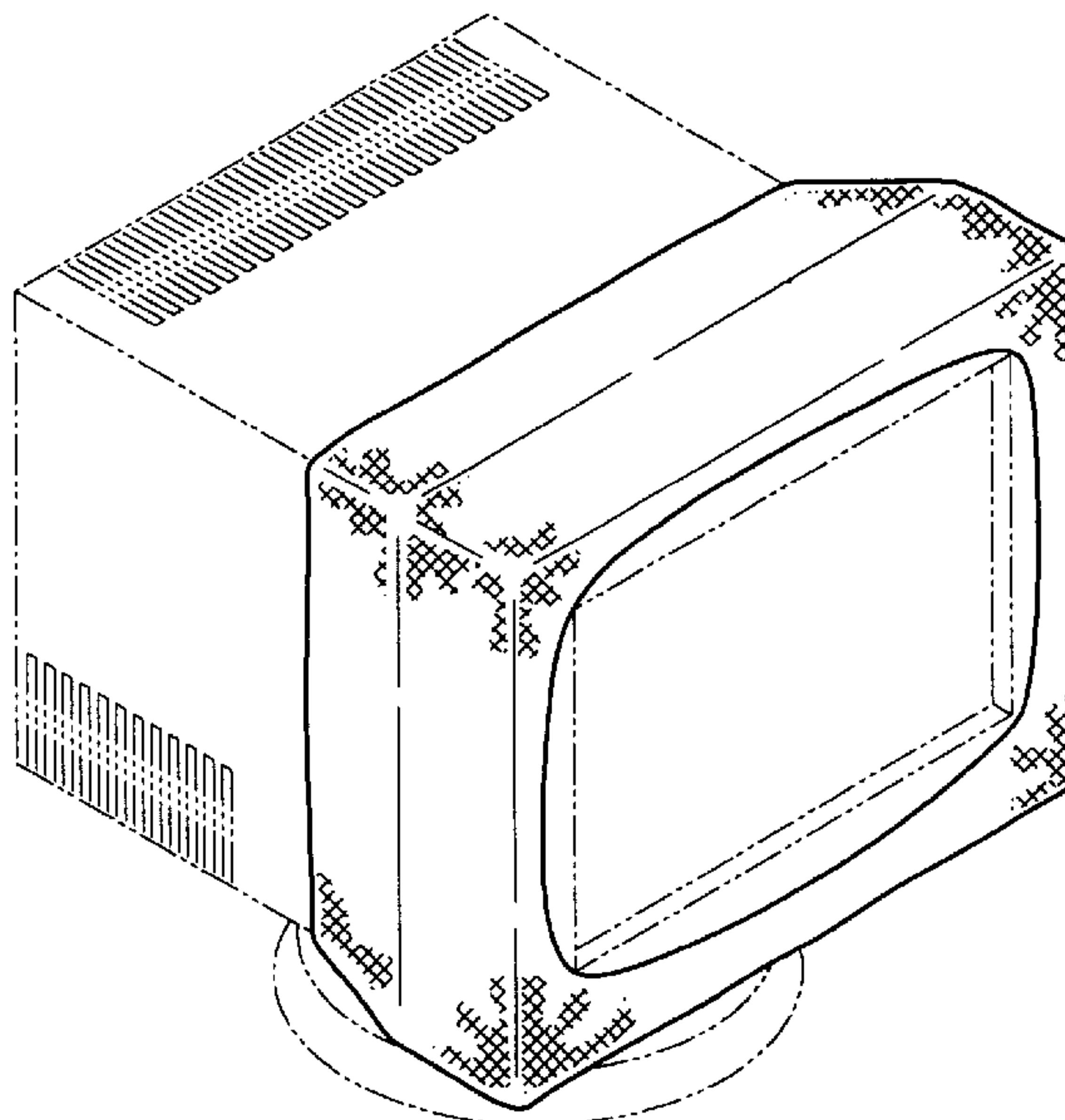
FIG. 8 is an isometric view of a third embodiment thereof, the broken line drawing of a decorative design including the word is for illustrative purposes only and forms no part of the claimed design as shown in this embodiment. The front, top, side, rear and bottom views are identical to FIGS. 2-6, respectively, except for the broken line disclosure.

FIG. 9 is an isometric view of a fourth embodiment thereof; the front, top, side, rear and bottom views are identical to FIGS. 2-6, respectively, except for the decorative surface design; and,

FIG. 10 is an isometric view of a fifth embodiment thereof; the front, top, side, rear and bottom views are identical to FIGS. 2-6, respectively, except for the decorative surface design.

The broken line drawing of a computer monitor in all views is for illustrative purposes only and forms no part of the claimed design. The cross-hatching in all views indicates a cover with a completely textured surface.

1 Claim, 4 Drawing Sheets



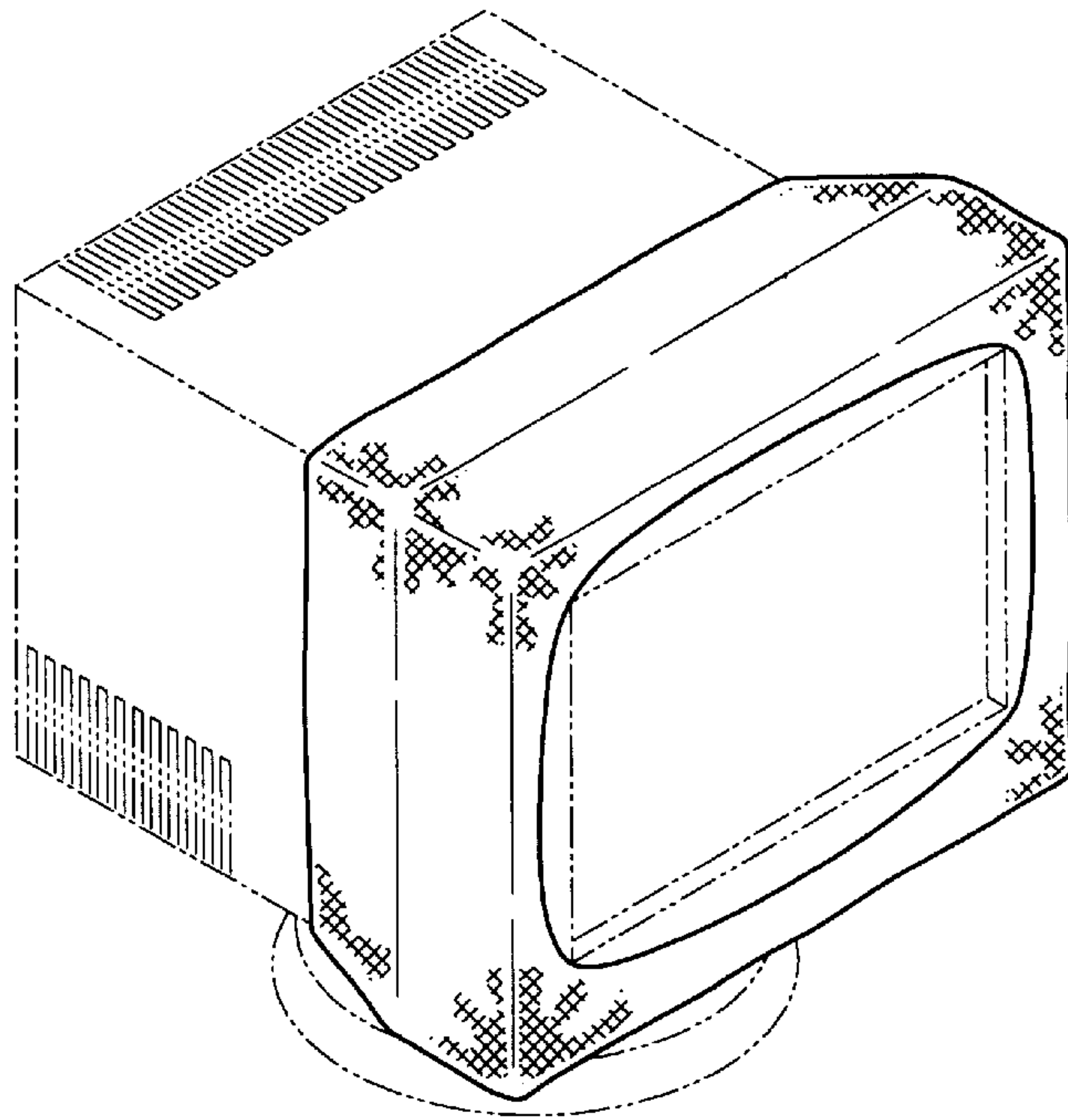


FIG. 1

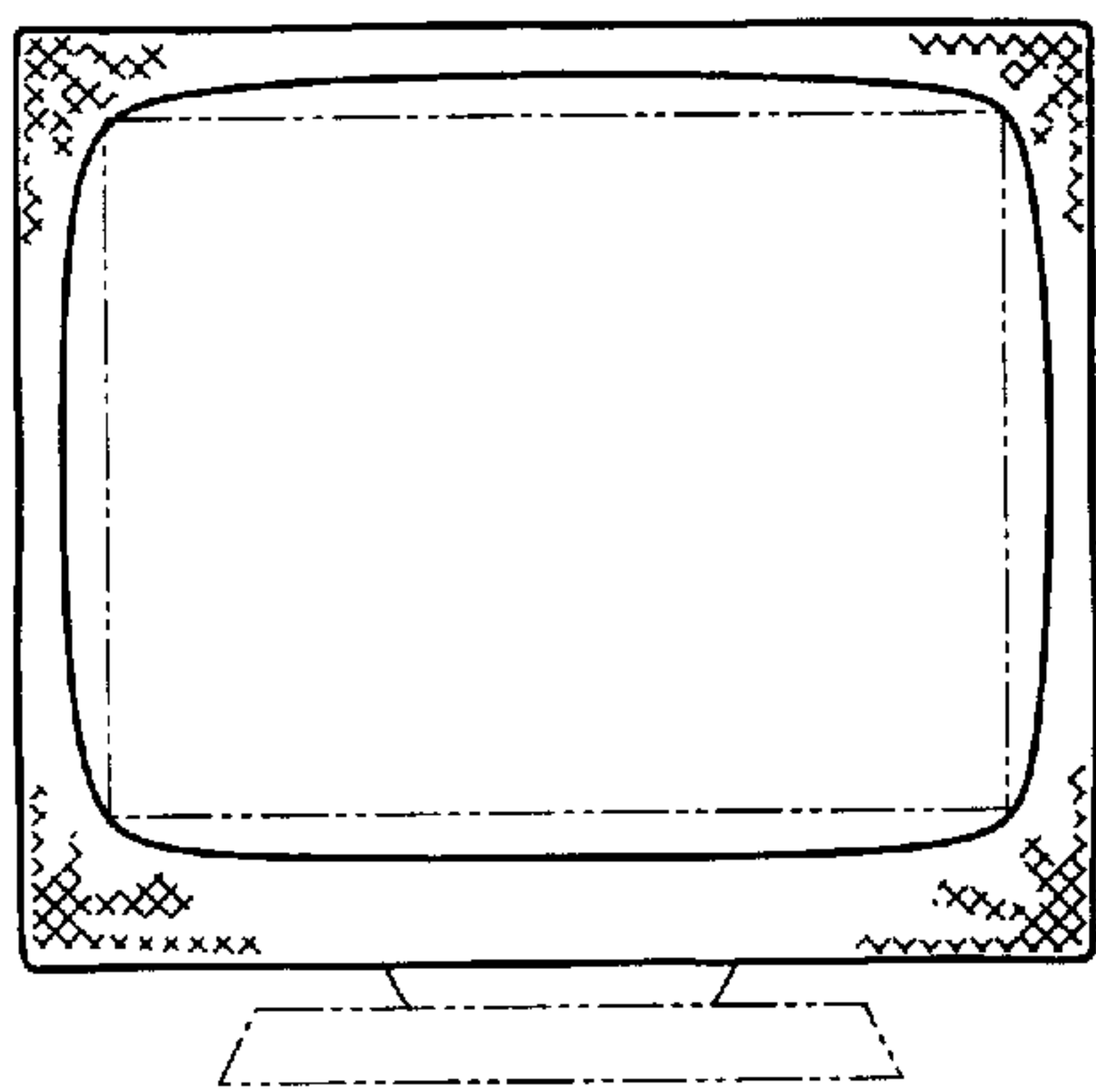


FIG. 2

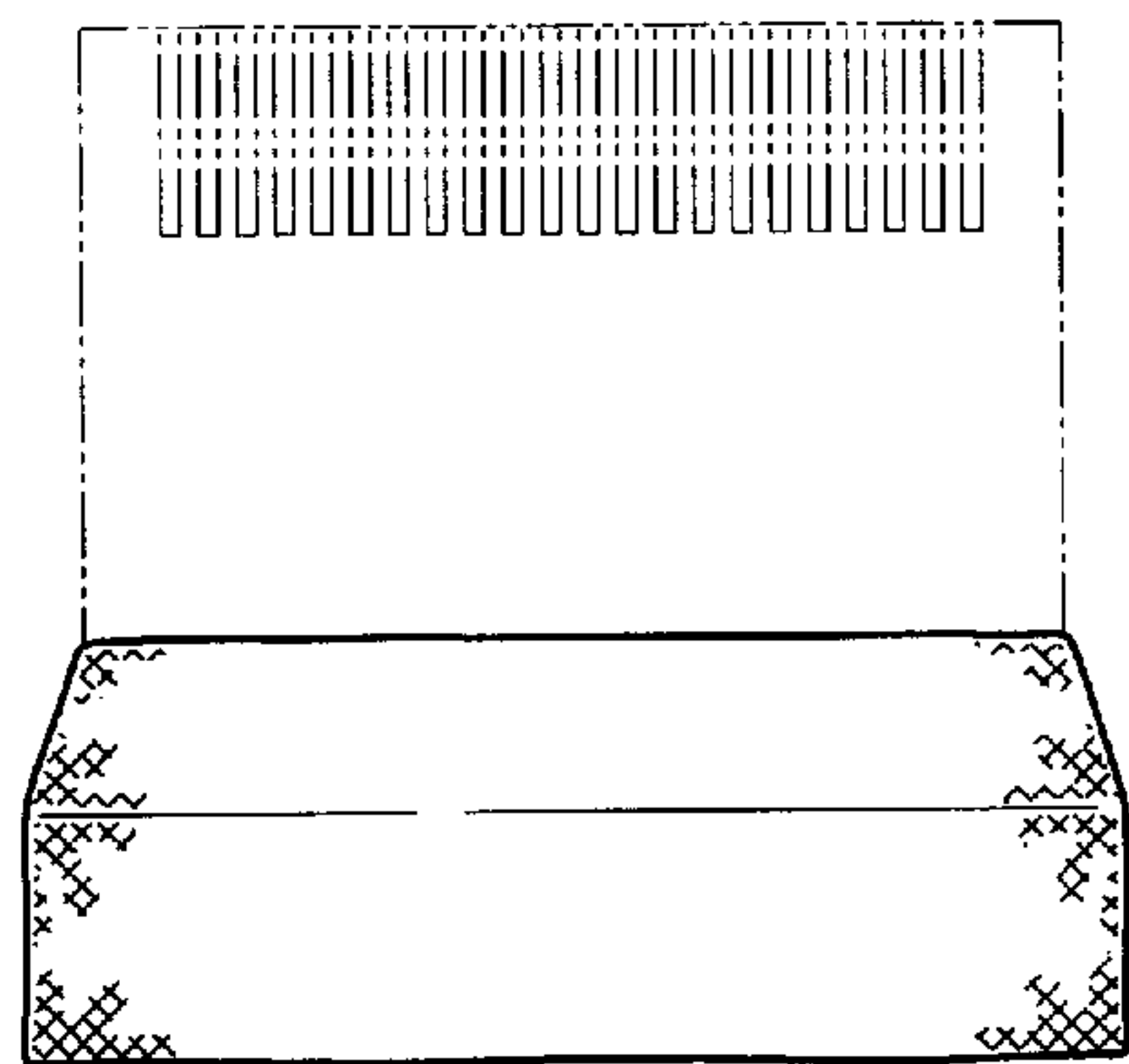


FIG. 3

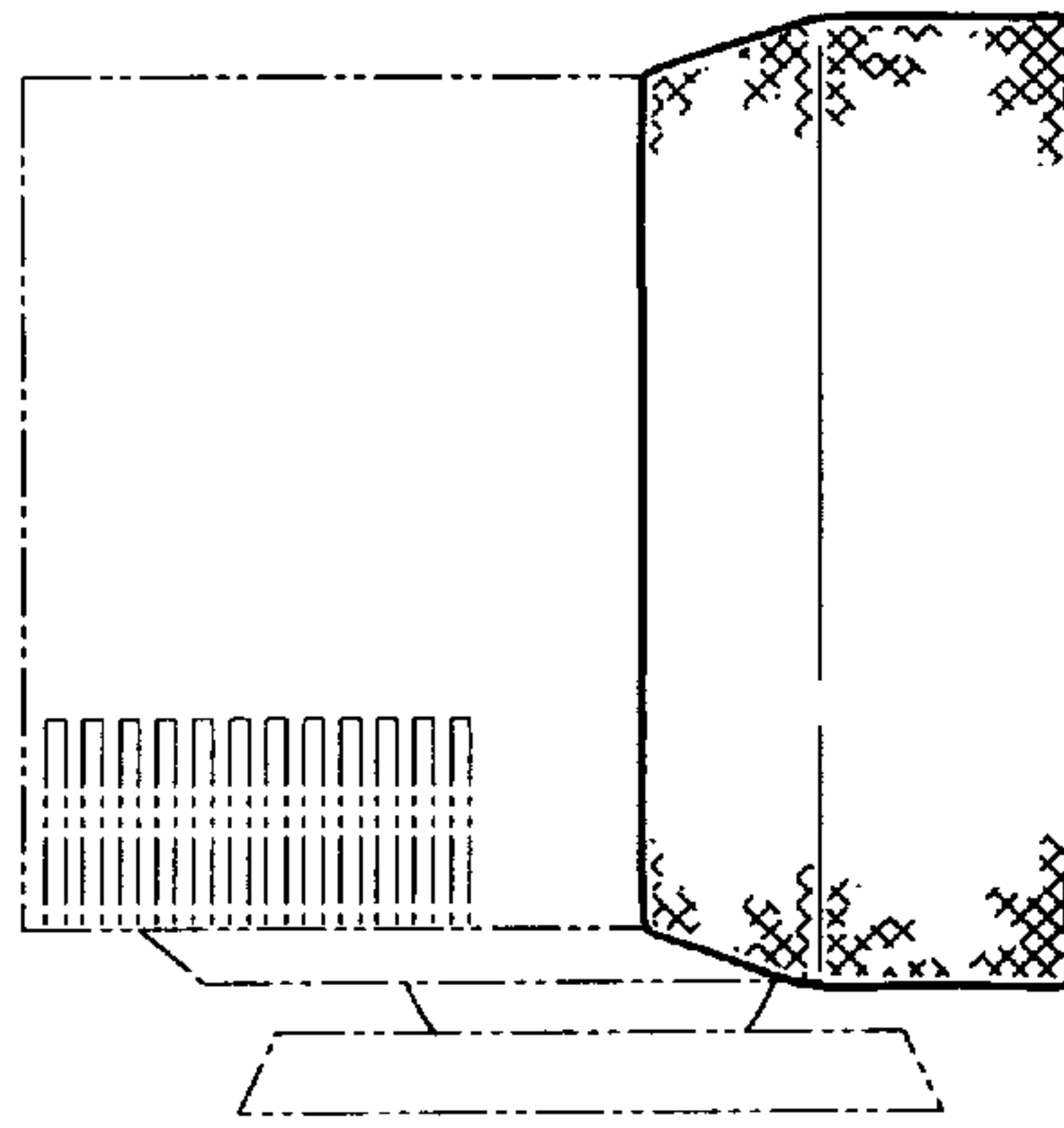


FIG. 4

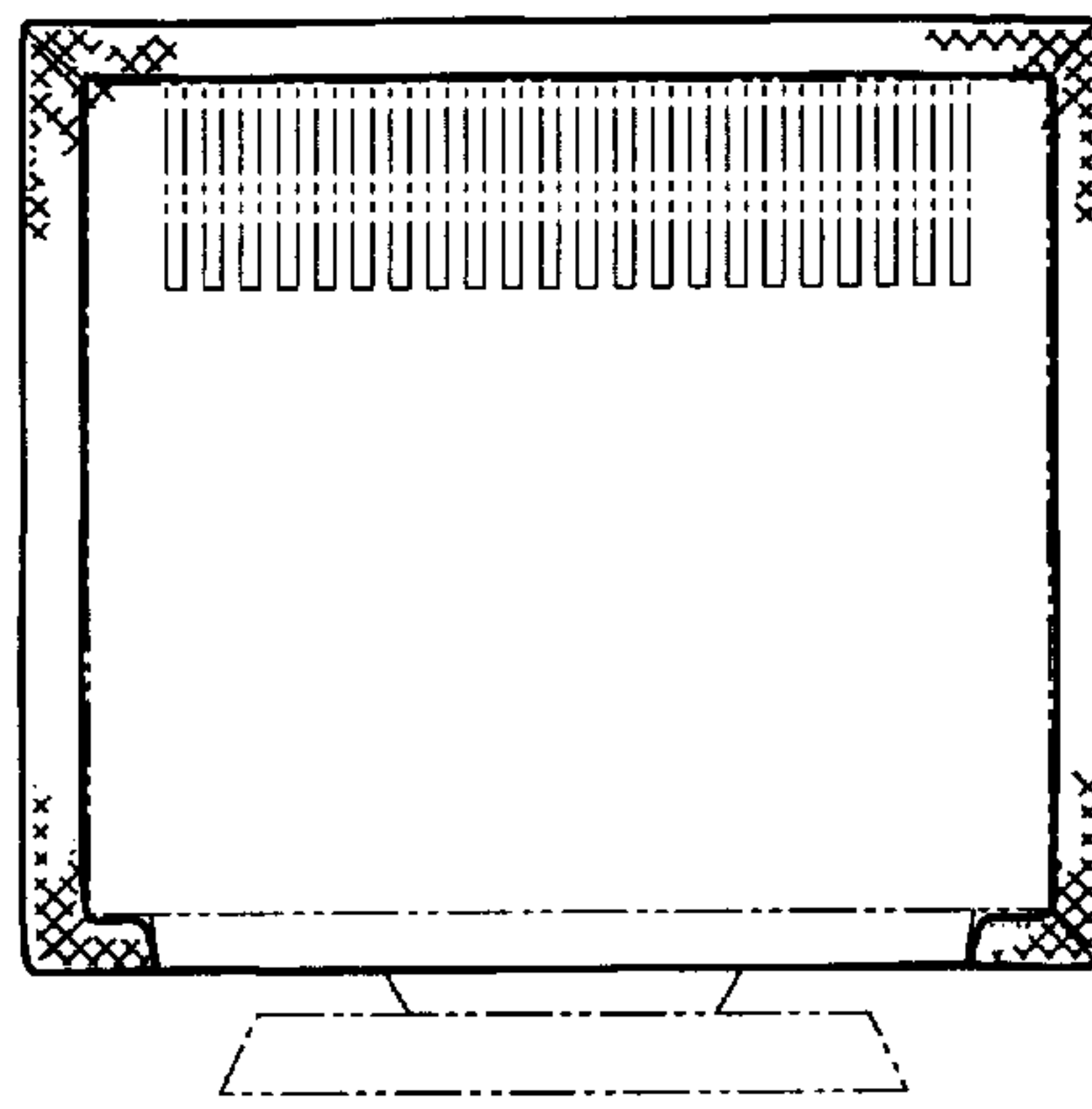


FIG. 5

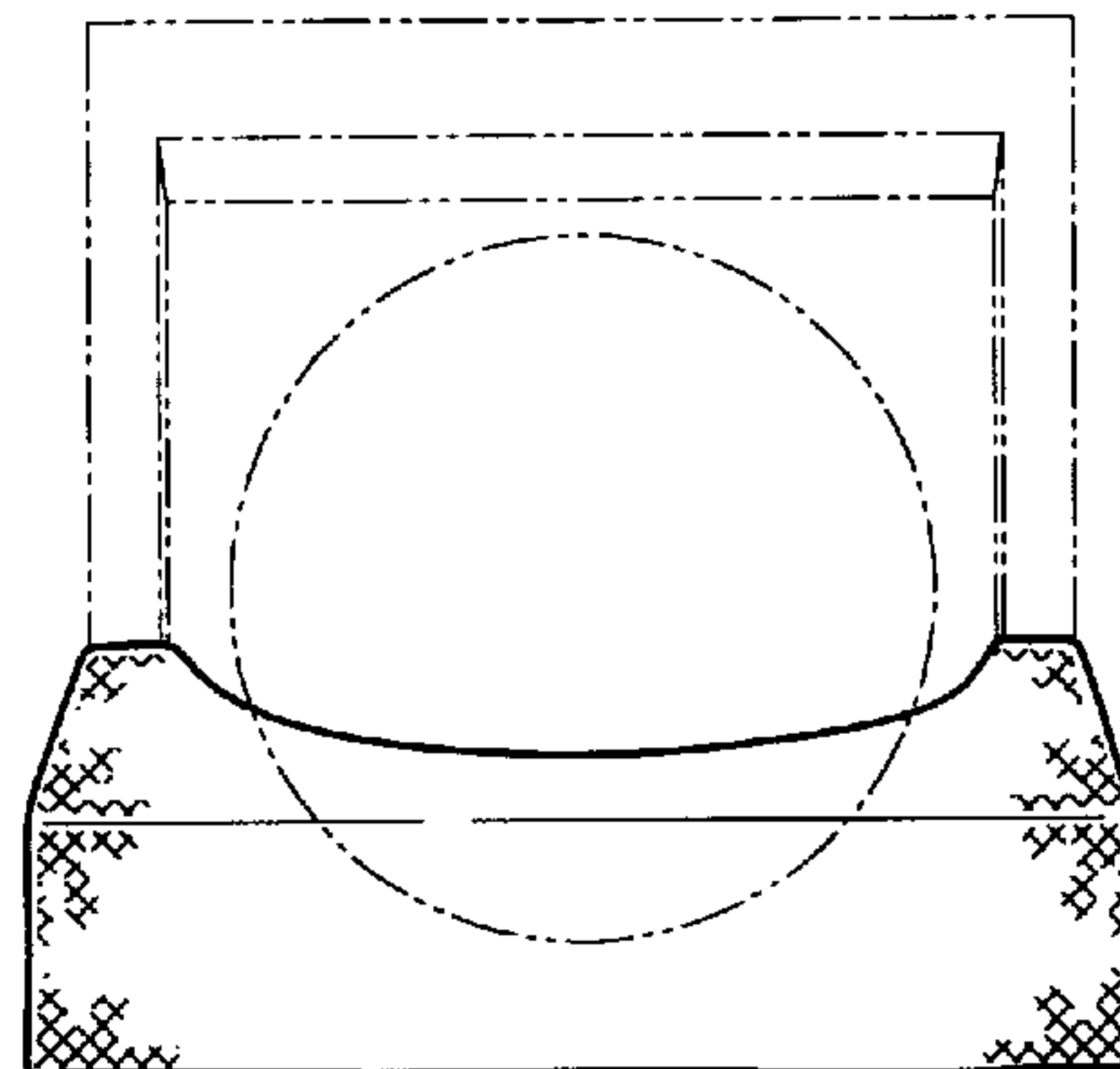


FIG. 6

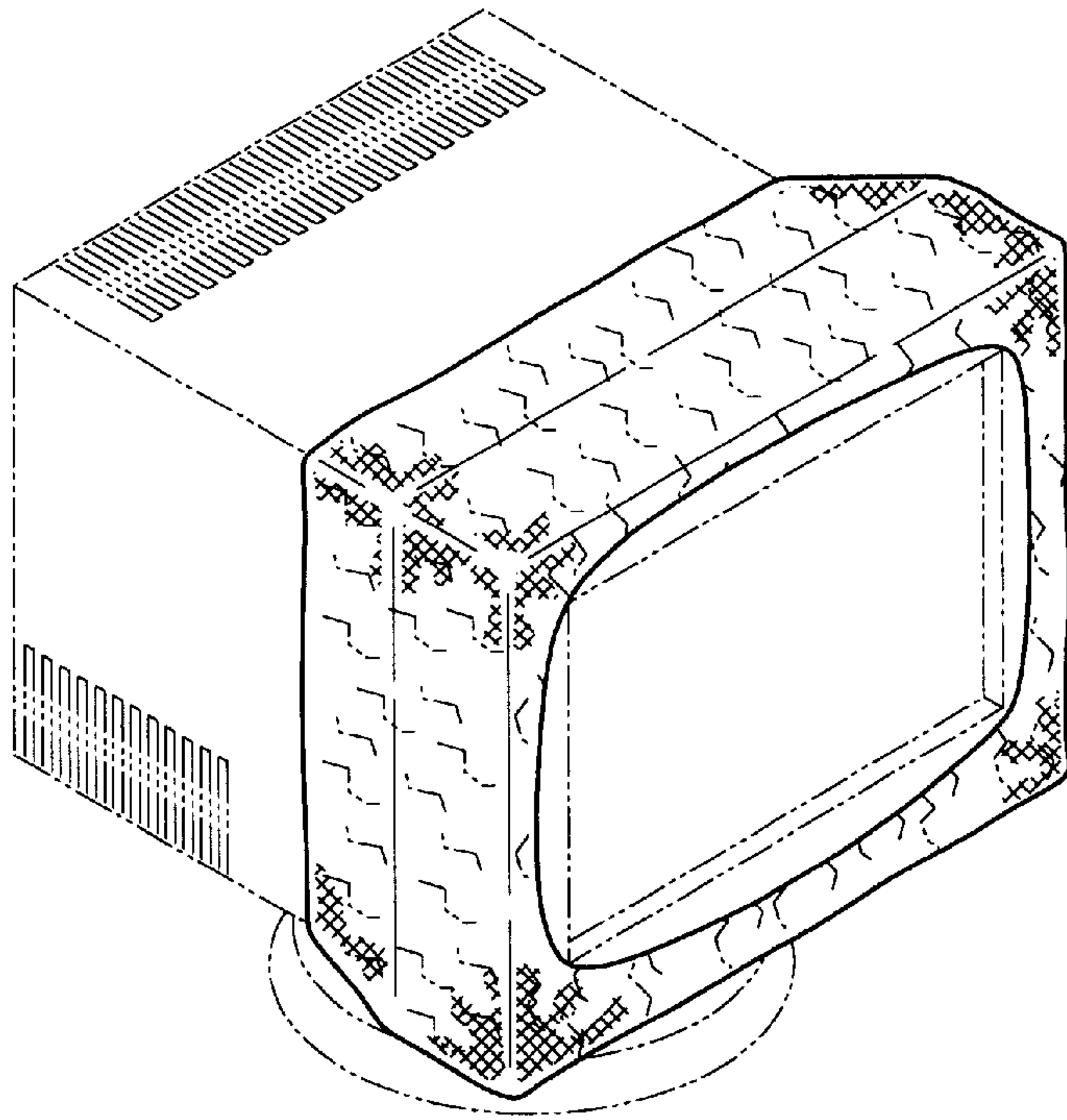


FIG. 7

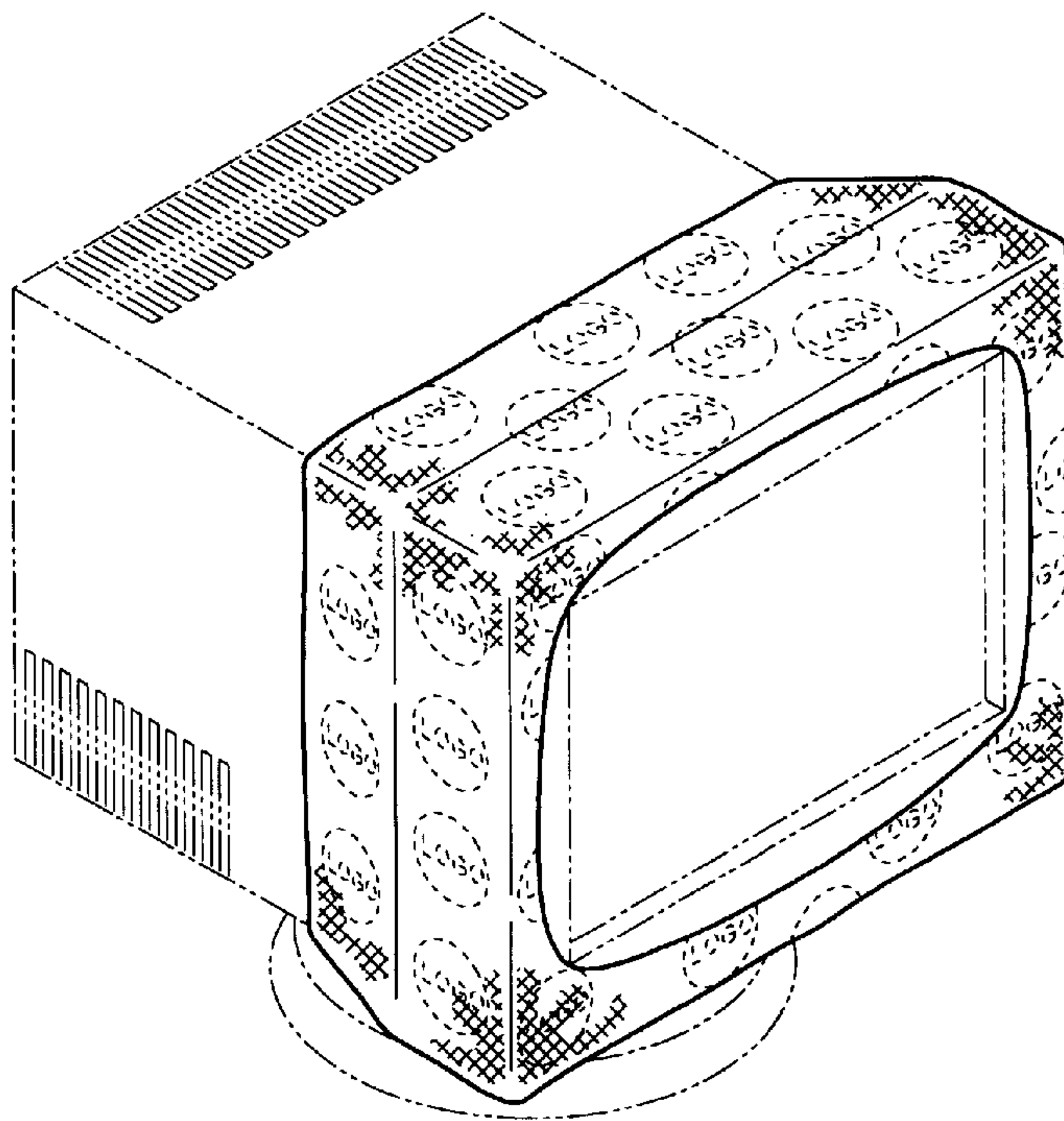


FIG. 8

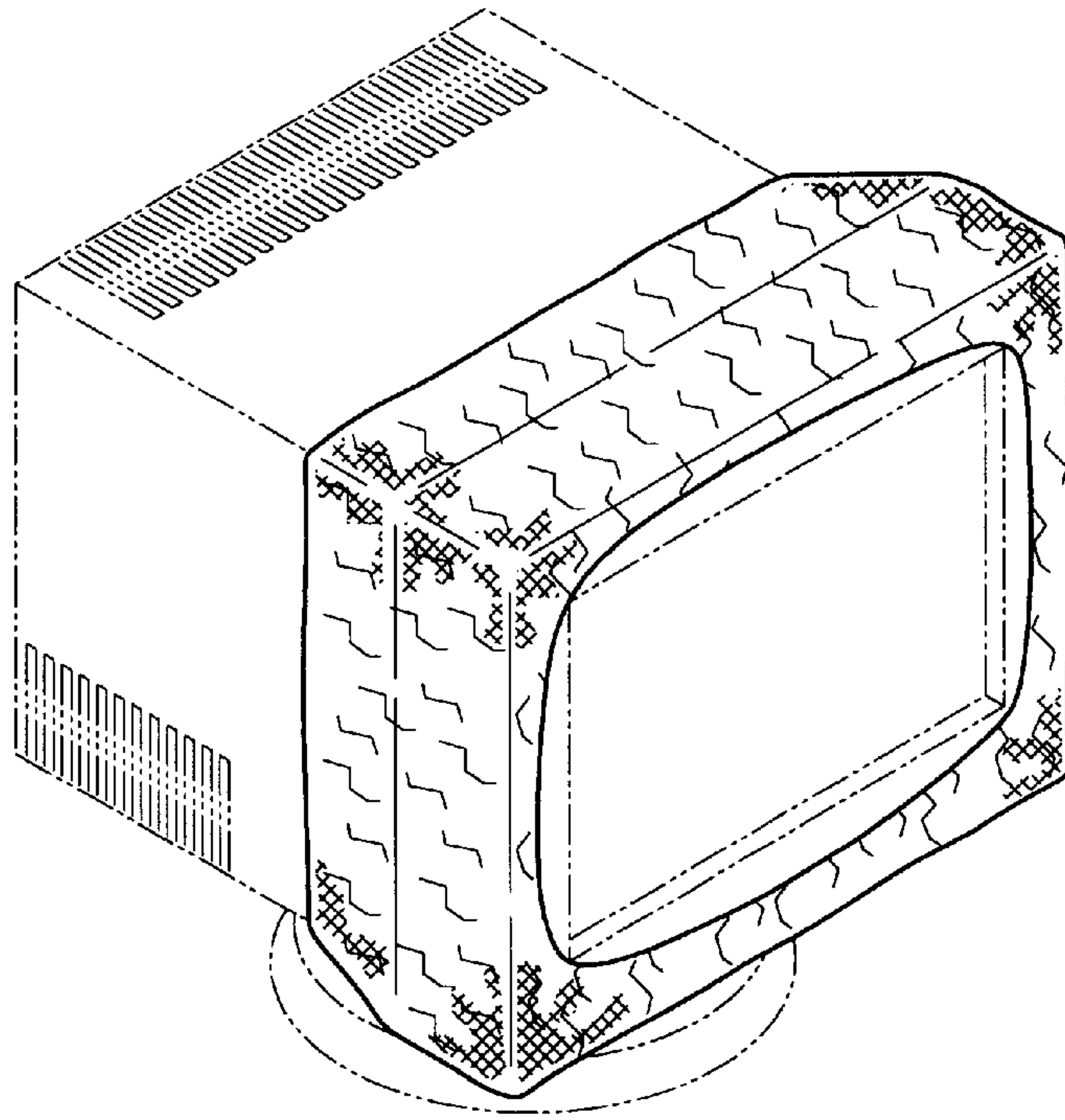


FIG. 9

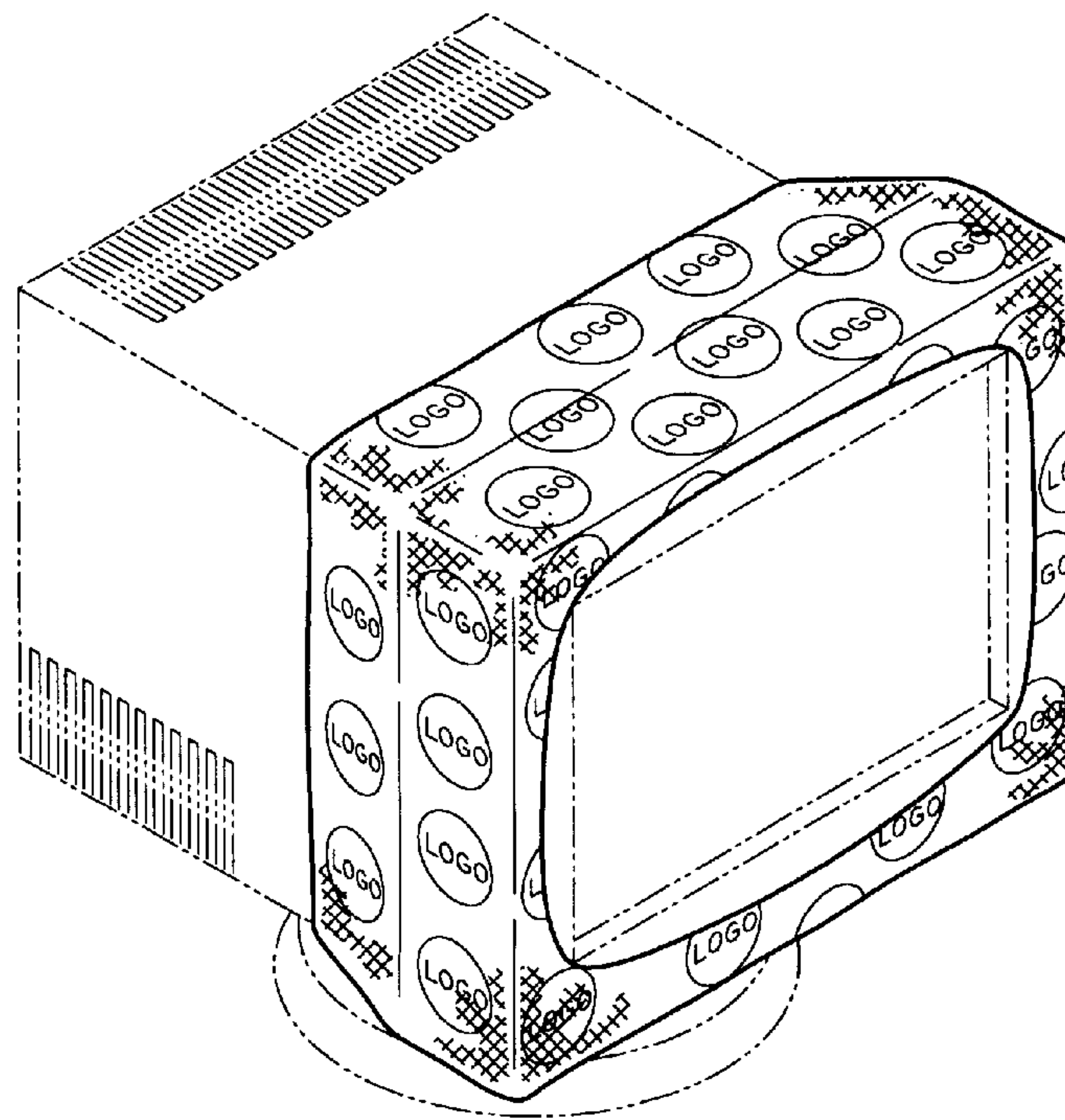


FIG. 10