



US00D431564S

United States Patent [19]

Masuda et al.

[11] **Patent Number: Des. 431,564**

[45] **Date of Patent: ** Oct. 3, 2000**

[54] **FLAT PANEL MONITOR**

[75] Inventors: **Kuni Masuda**, Cupertino; **Paul S. Montgomery**, Kentfield; **Christopher L. Whittall**, Oakland, all of Calif.

[73] Assignee: **Sun Microsystems, Inc.**, Palo Alto, Calif.

[**] Term: **14 Years**

[21] Appl. No.: **29/113,394**

[22] Filed: **Nov. 3, 1999**

[51] **LOC (7) Cl.** **14-02**

[52] **U.S. Cl.** **D14/374; D14/126**

[58] **Field of Search** D14/371, 374, D14/337, 336, 375, 126-129; 345/104, 133, 156, 168, 173; 348/180, 184

[56] **References Cited**

U.S. PATENT DOCUMENTS

D. 336,637 6/1993 Abe et al. D14/337

D. 383,733 9/1997 Miki D14/336

Primary Examiner—Freda Nunn
Attorney, Agent, or Firm—Conley, Rose & Tayon, P.C.

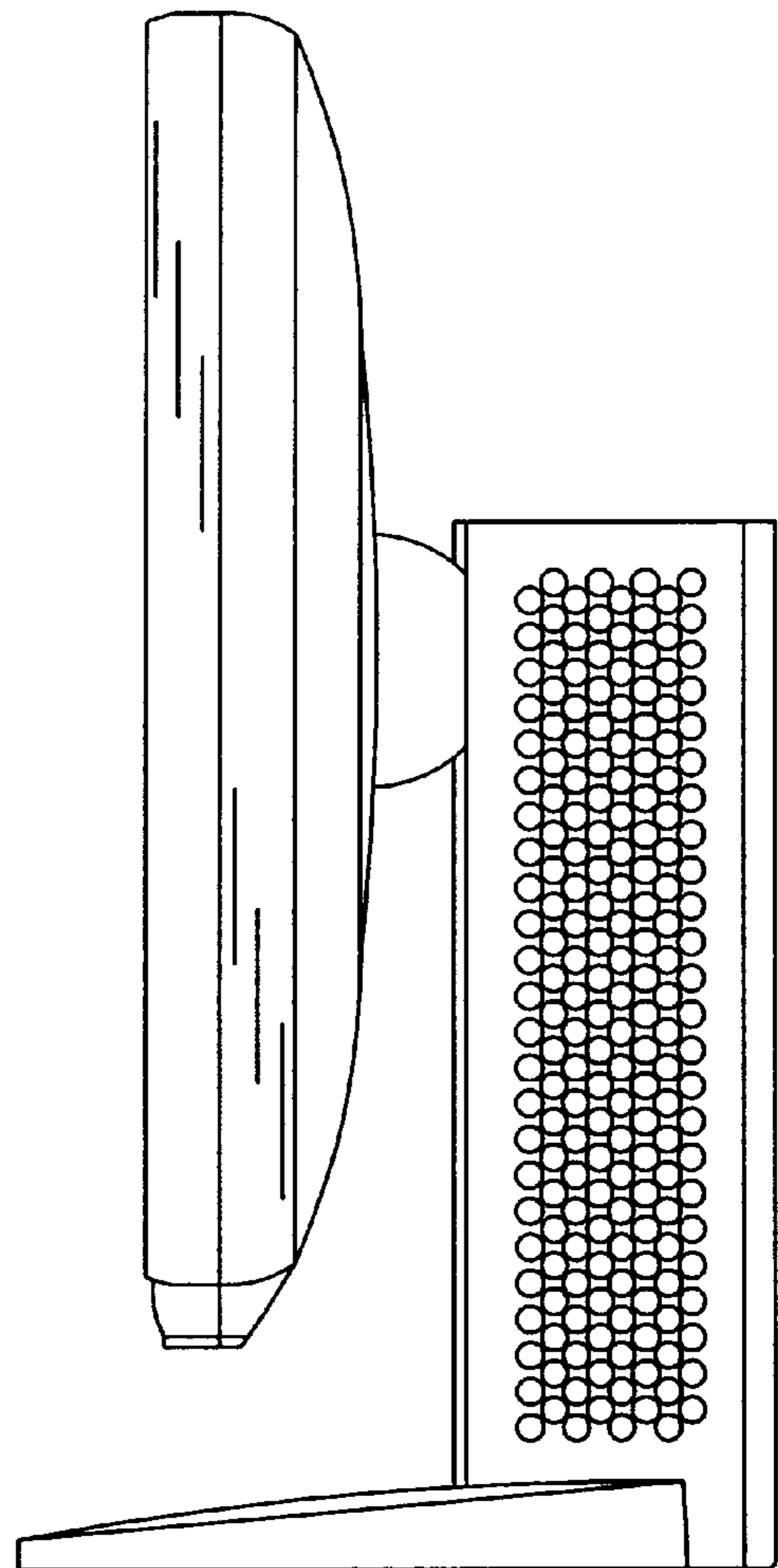
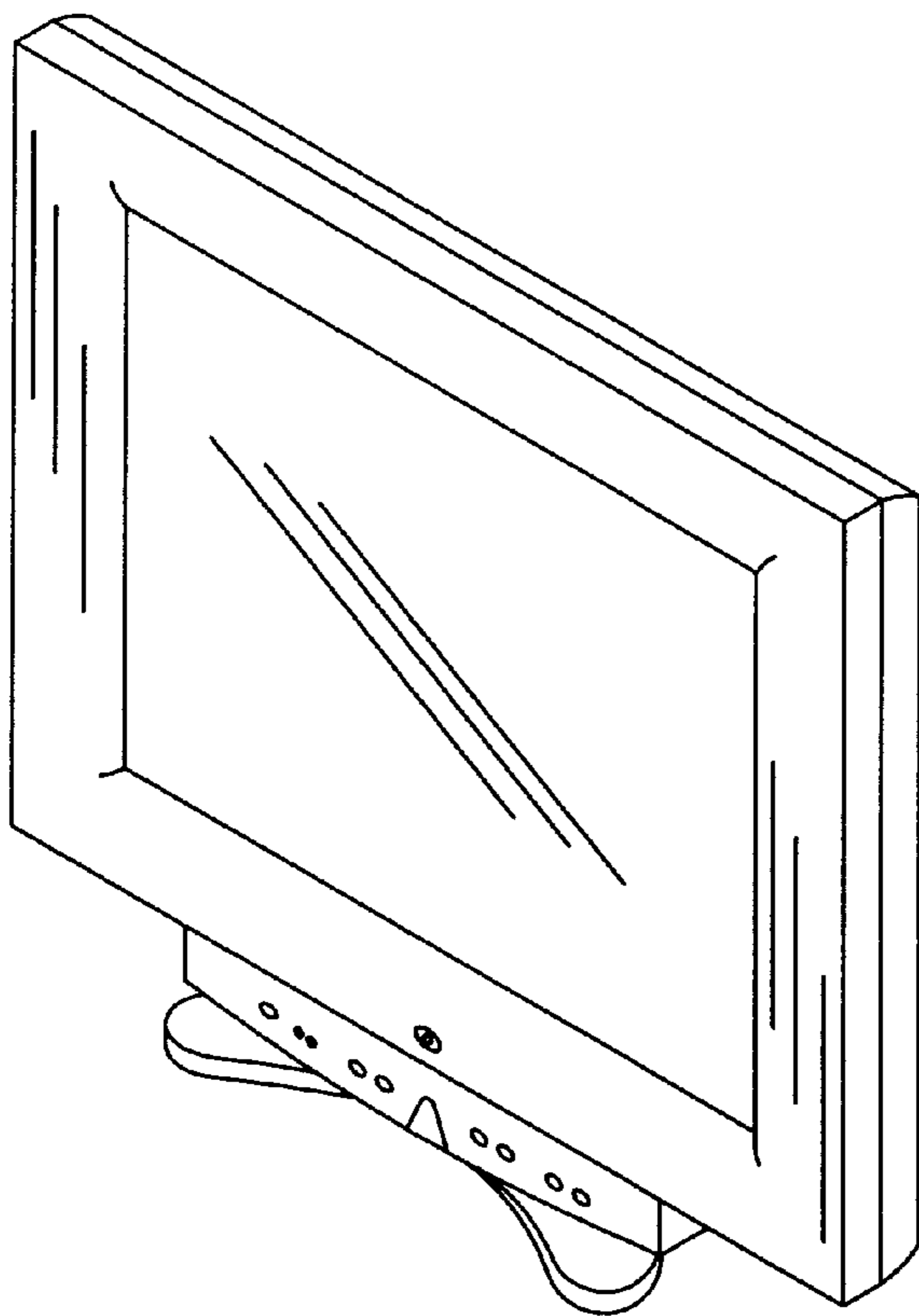
[57] **CLAIM**

The ornamental design for a flat panel monitor, as shown and described.

DESCRIPTION

FIG. 1 is a perspective view of a flat panel monitor;
FIG. 2 is a front view of the flat panel monitor;
FIG. 3 is a right side view of the flat panel monitor, the left side view of the flat panel monitor is symmetrical to the right side view;
FIG. 4 is a rear view of the flat panel monitor;
FIG. 5 is a top view of the flat panel monitor; and,
FIG. 6 is a bottom view of the flat panel monitor.

1 Claim, 6 Drawing Sheets



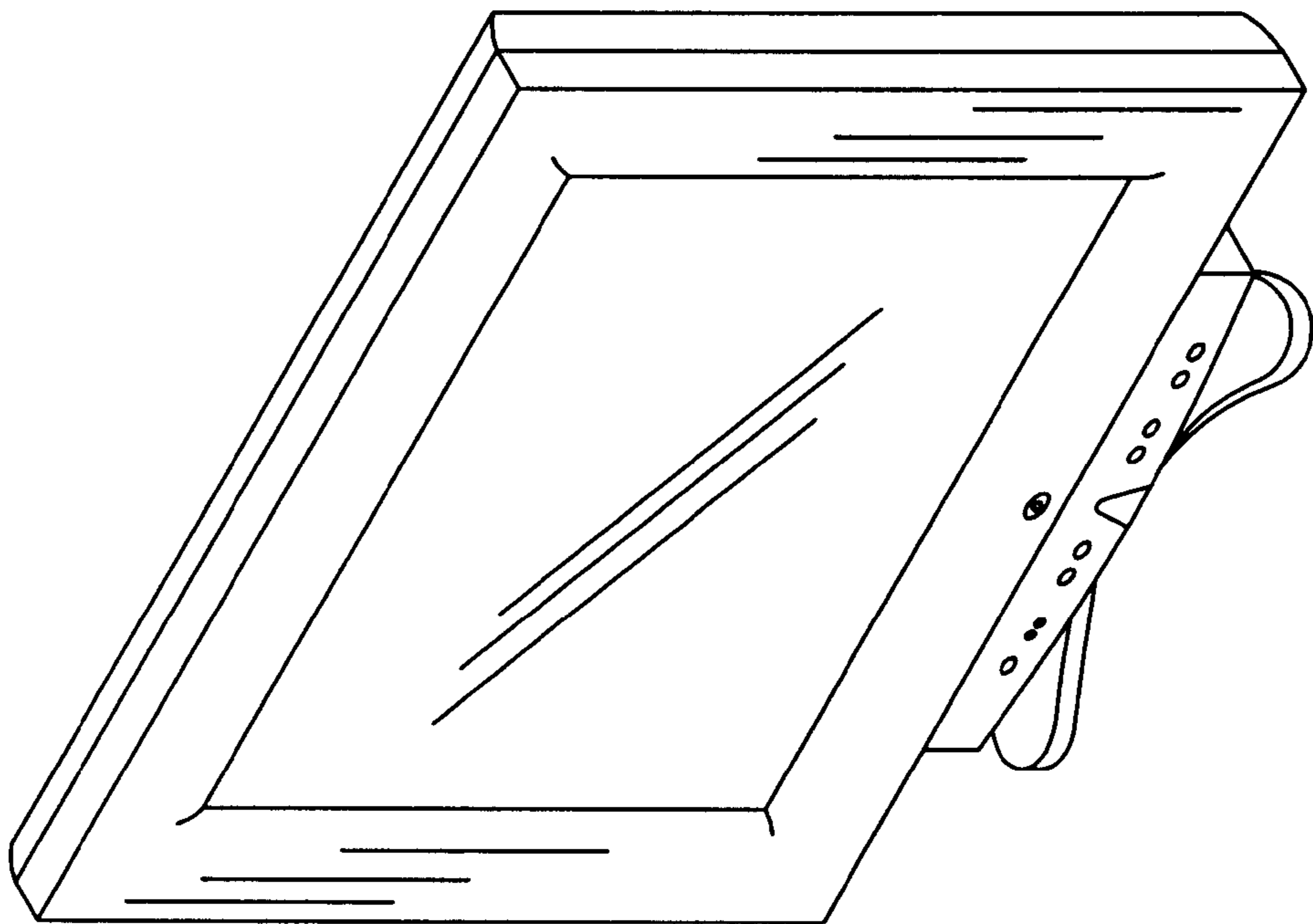


FIG. 1

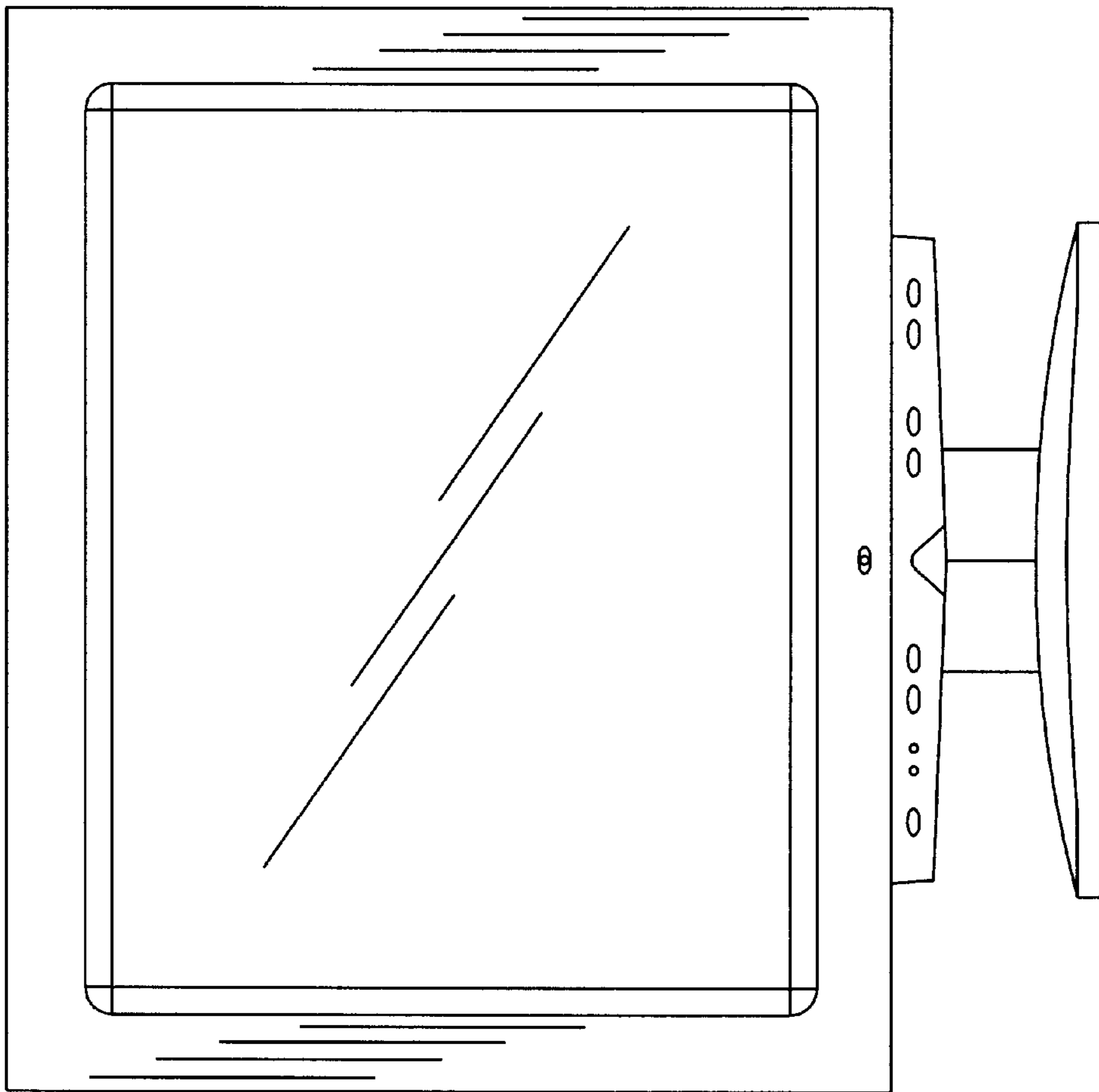


FIG. 2

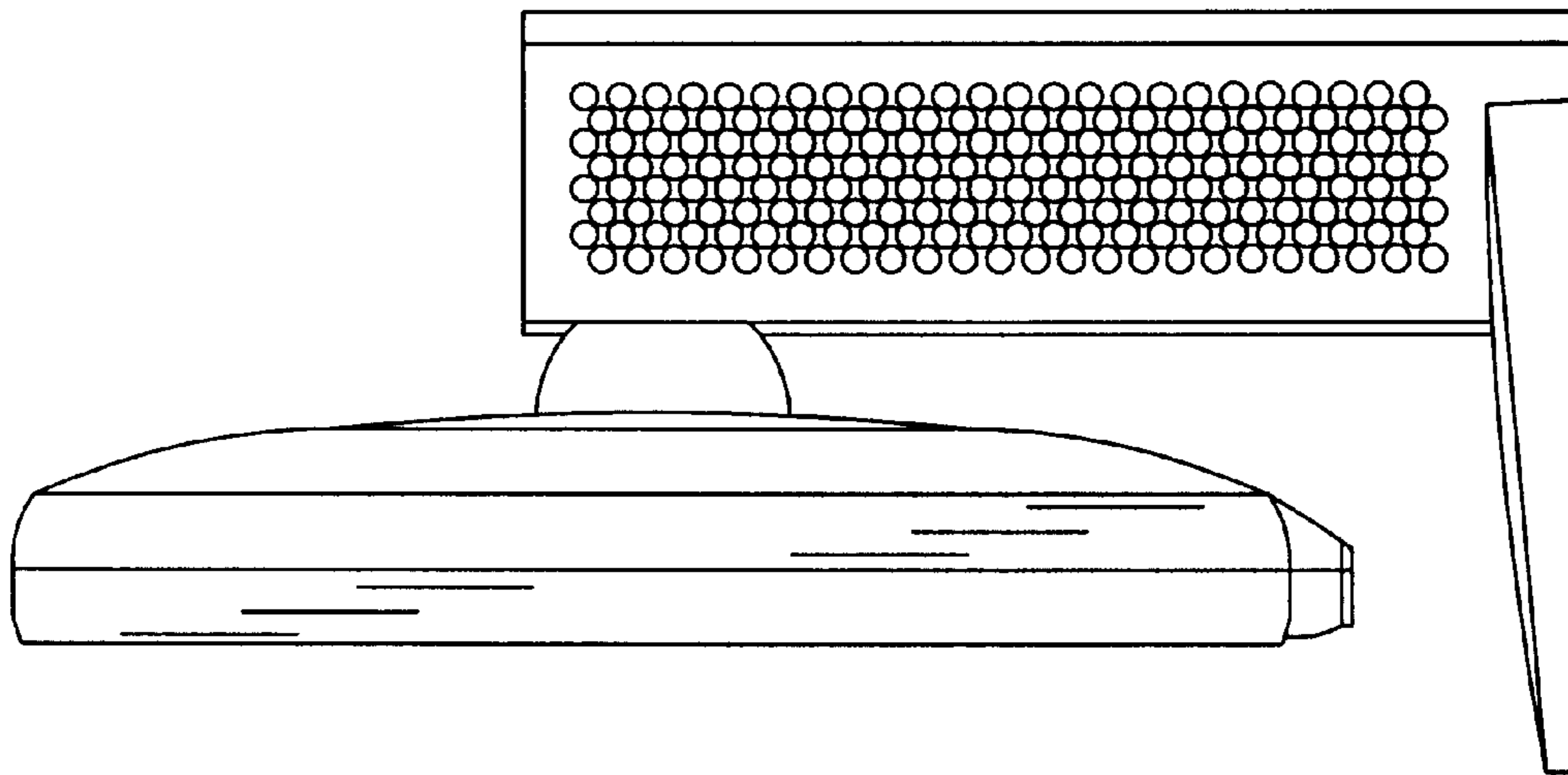


FIG. 3

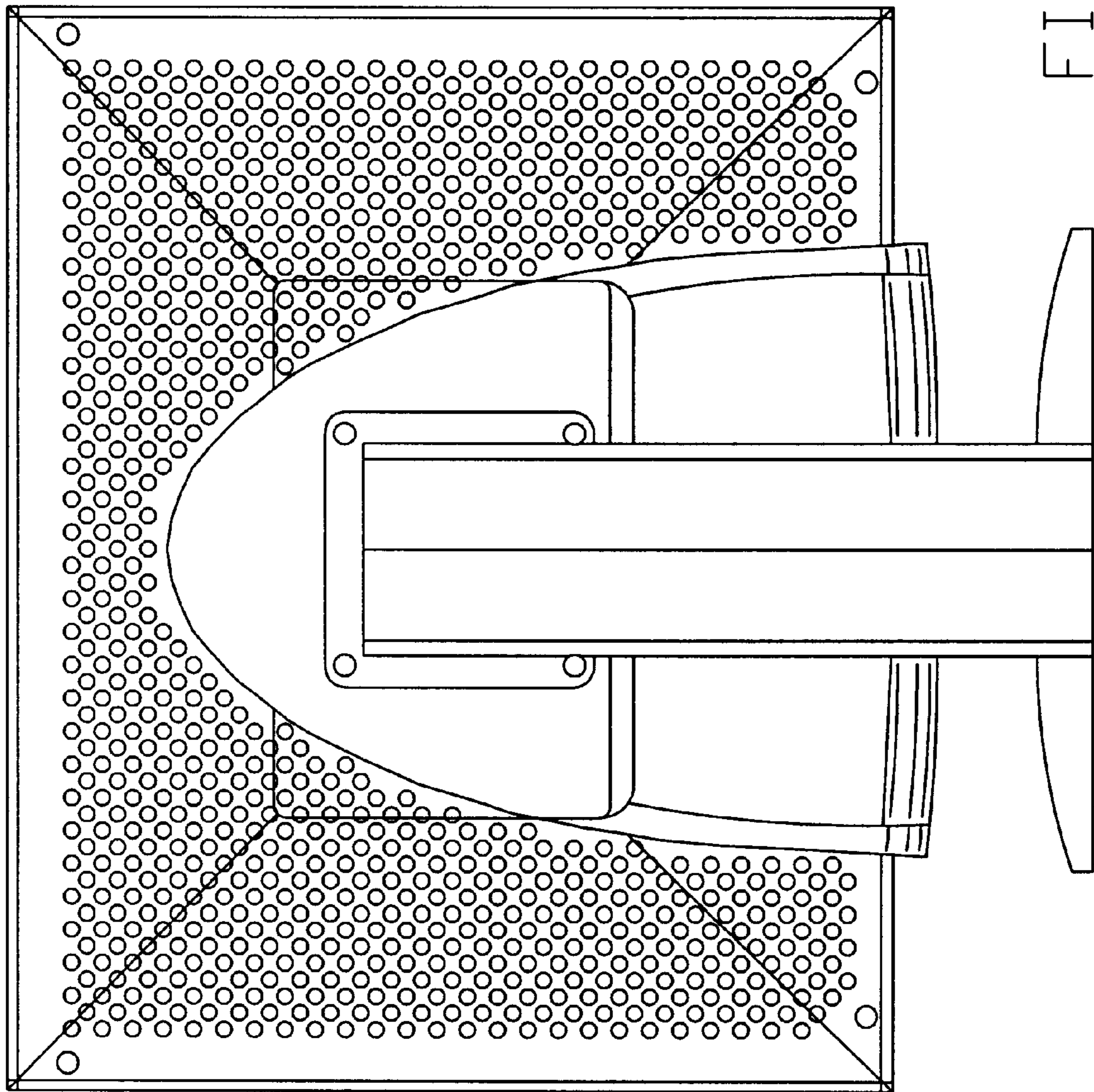


FIG. 4

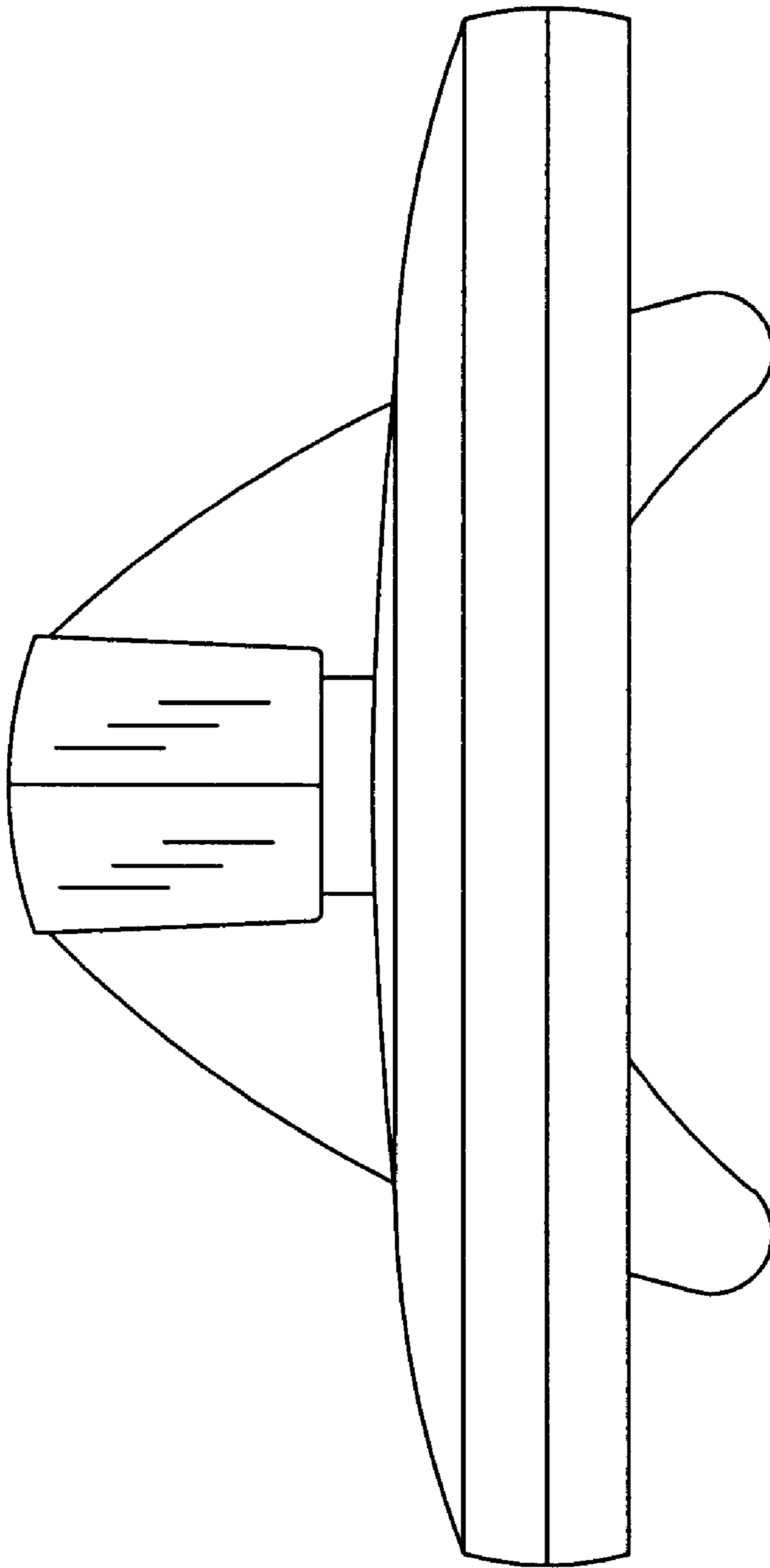


FIG. 5

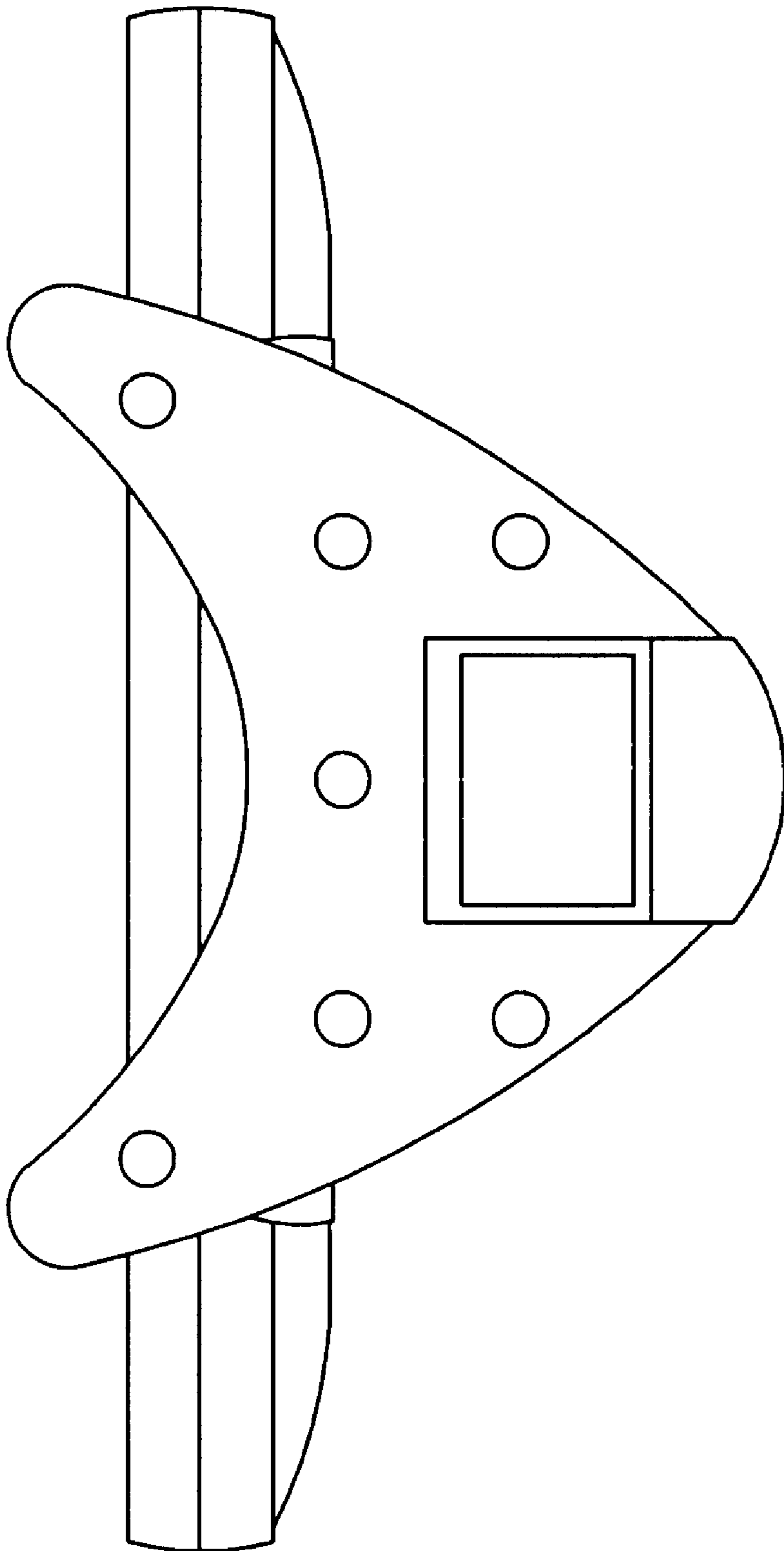


FIG. 6