



US00D431563S

# United States Patent [19]

Jean et al.

[11] **Patent Number: Des. 431,563**

[45] **Date of Patent: \*\* Oct. 3, 2000**

[54] **TOWER PERSONAL COMPUTER**

5,828,545 10/1998 Loudenslager ..... 361/683  
5,884,988 3/1999 Foo et al. .... 312/223.2

[75] Inventors: **Paul Jean**, Taipei; **Kaven Kan**,  
Tau-Yuan; **Ying Sheng Yeh**, Taipei, all  
of Taiwan

*Primary Examiner*—Freda Nunn  
*Attorney, Agent, or Firm*—Wei Te Chung

[73] Assignee: **Hon Hai Precision Ind. Co., Ltd.**,  
Taipei Hsien, Taiwan

## [57] CLAIM

[\*\*] Term: **14 Years**

The ornamental design for a tower personal computer, as  
shown and described.

[21] Appl. No.: **29/116,936**

## DESCRIPTION

[22] Filed: **Jan. 13, 2000**

FIG. 1 is a perspective view of a tower personal computer  
showing our new design;

### [30] Foreign Application Priority Data

Dec. 28, 1999 [TW] Taiwan ..... 88308505

FIG. 2 is a front elevational view thereof;

[51] **LOC (7) Cl.** ..... **14-02**

FIG. 3 is a rear elevational view thereof;

[52] **U.S. Cl.** ..... **D14/349**

FIG. 4 is a left side elevational view thereof;

[58] **Field of Search** ..... D14/348, 349,  
D14/351, 353, 363; D13/162, 184, 199;  
312/223.3; 361/683

FIG. 5 is a right side elevational view thereof;

FIG. 6 is a top plan view thereof; and,

FIG. 7 is a bottom plan view thereof.

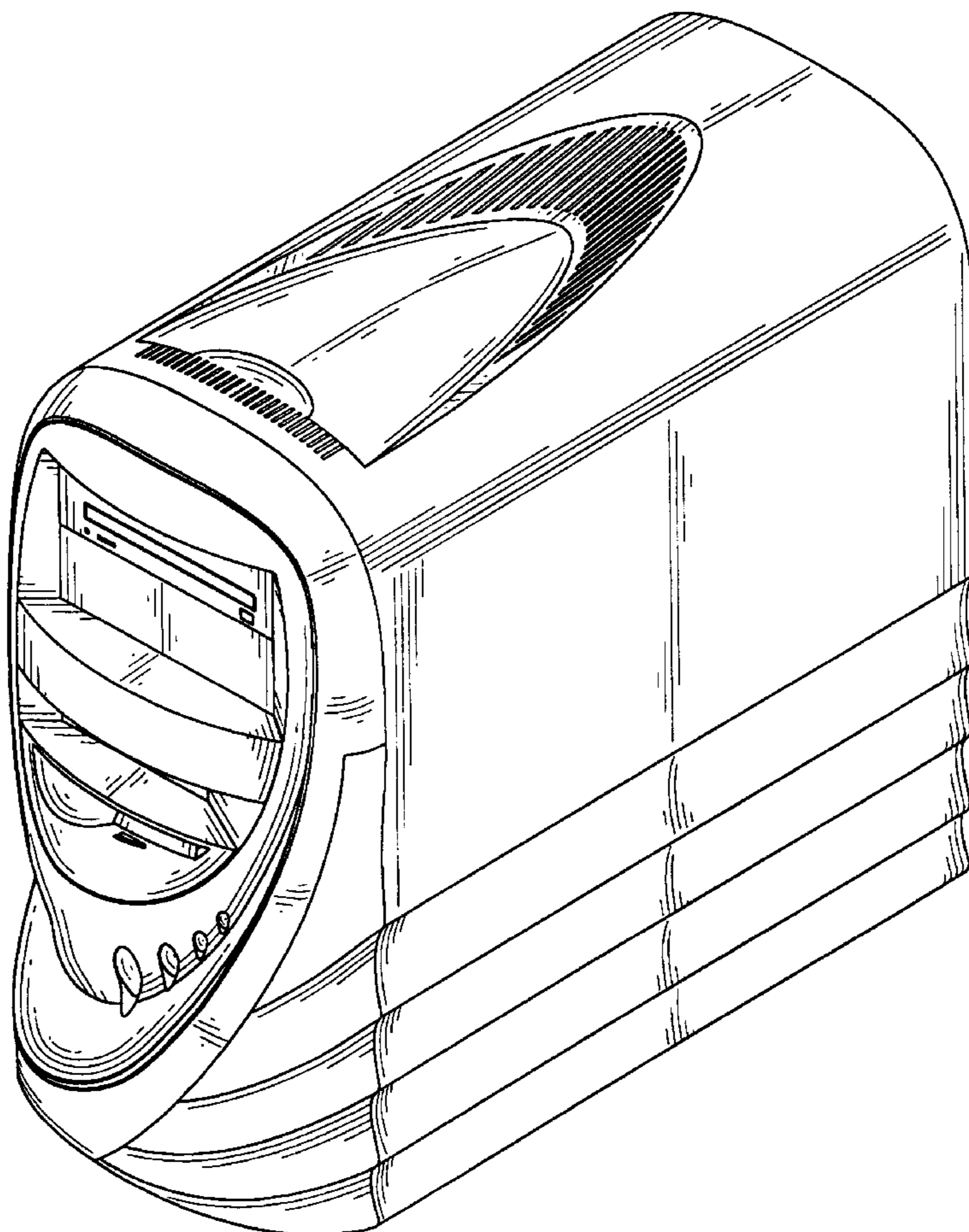
The broken lines are shown in FIG. 3 for illustrative  
purposes only and form no part of the claimed design.

## [56] References Cited

### U.S. PATENT DOCUMENTS

D. 370,467 6/1996 Barthelemy et al. .... D14/349

**1 Claim, 7 Drawing Sheets**



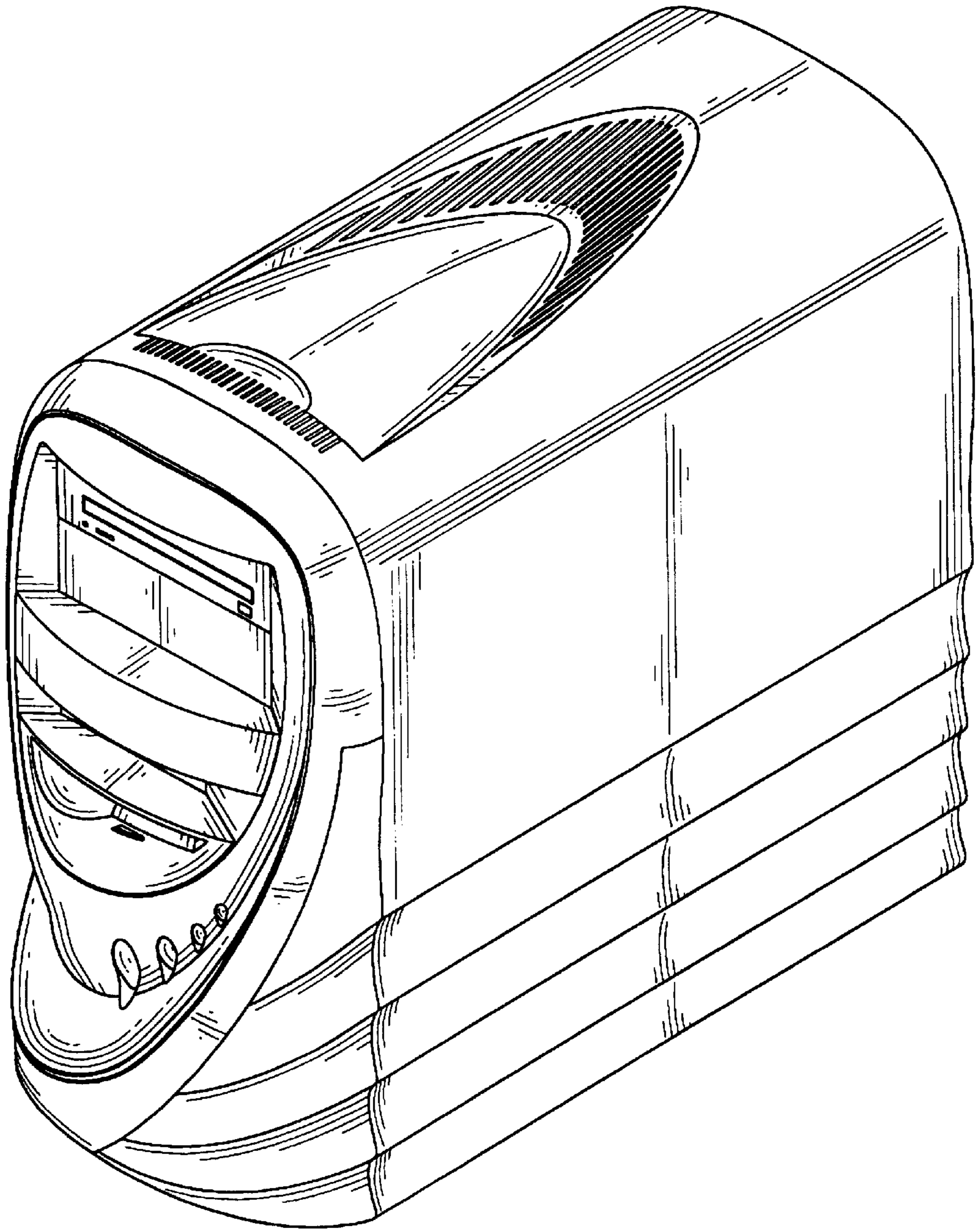


FIG. 1

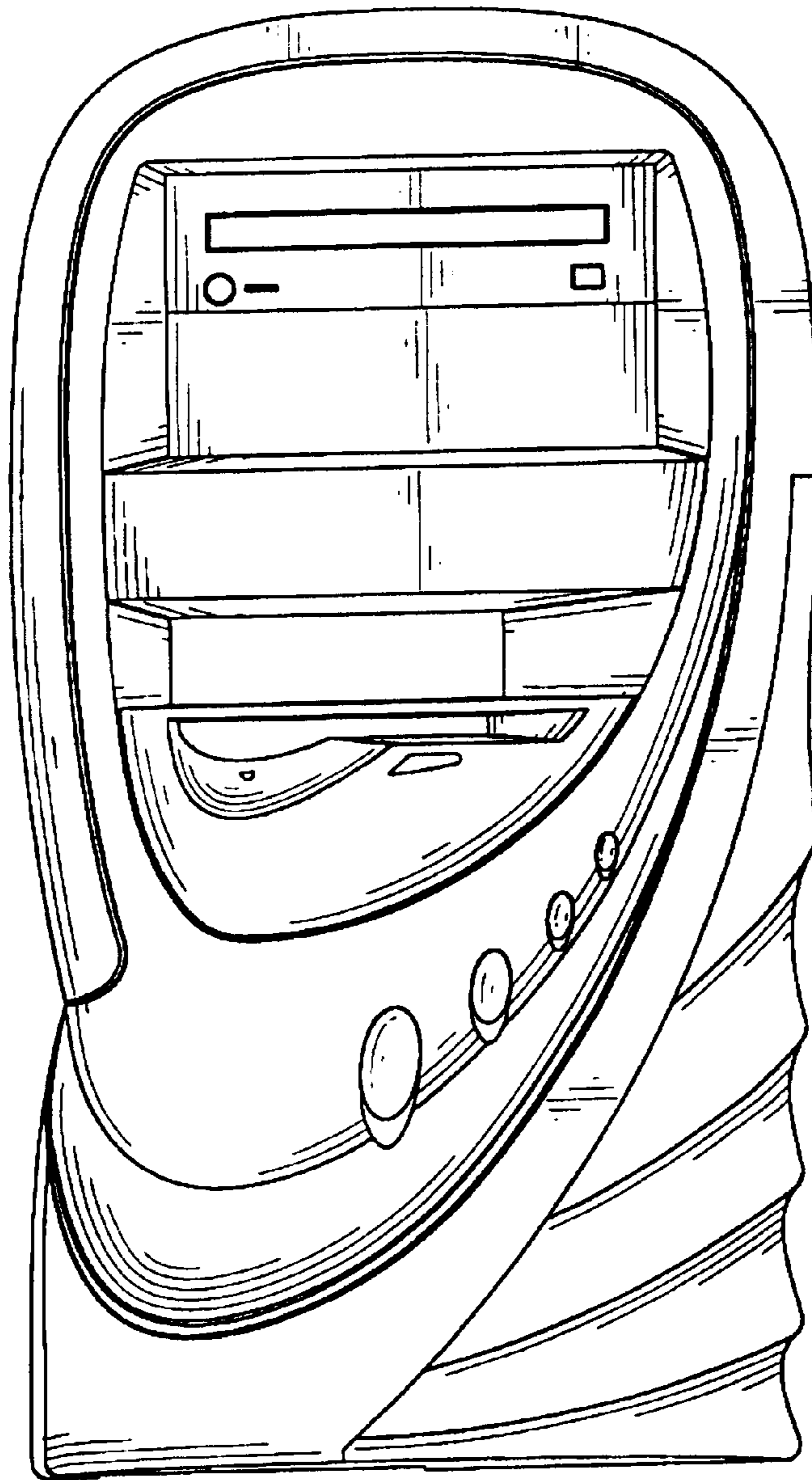


FIG. 2

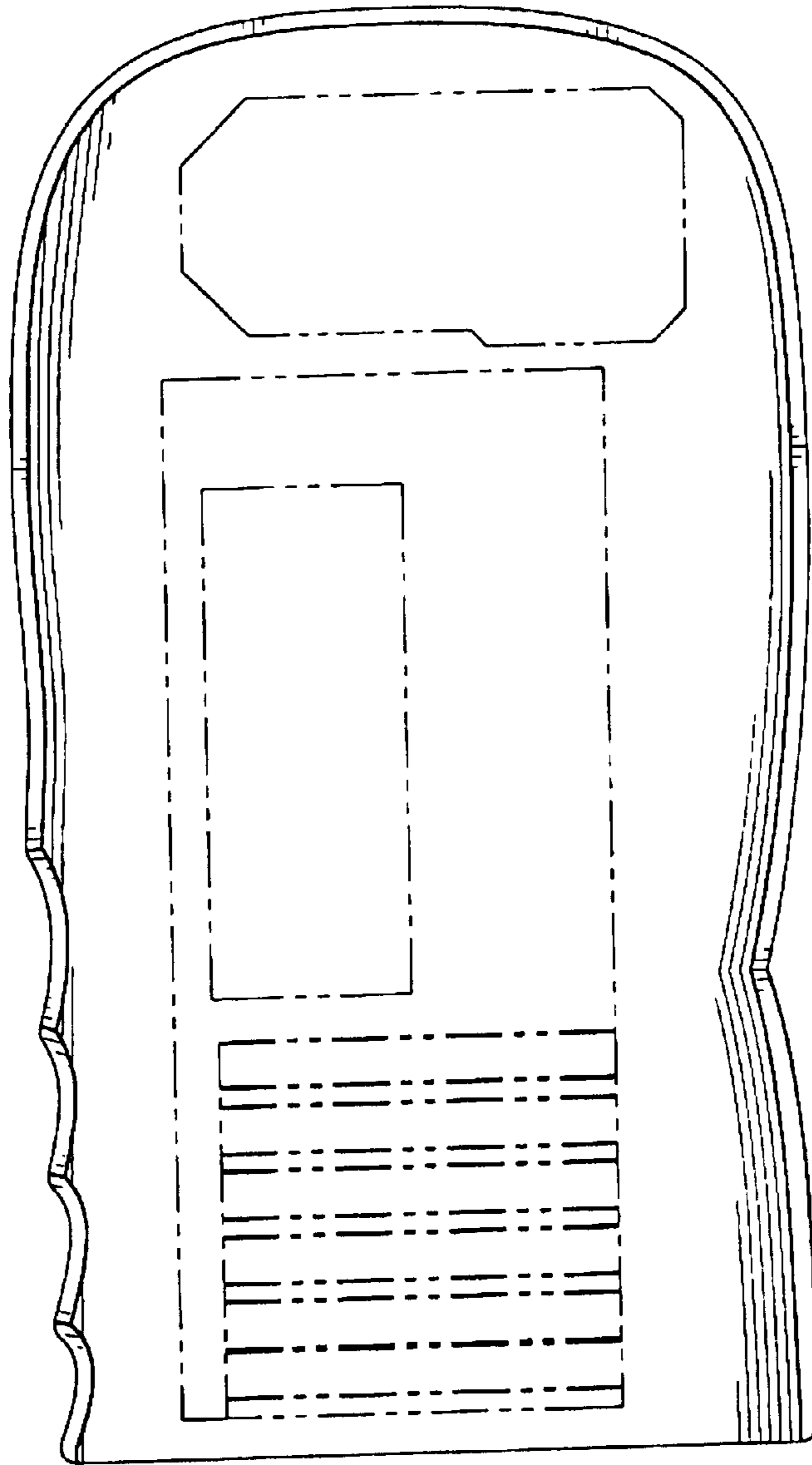


FIG. 3



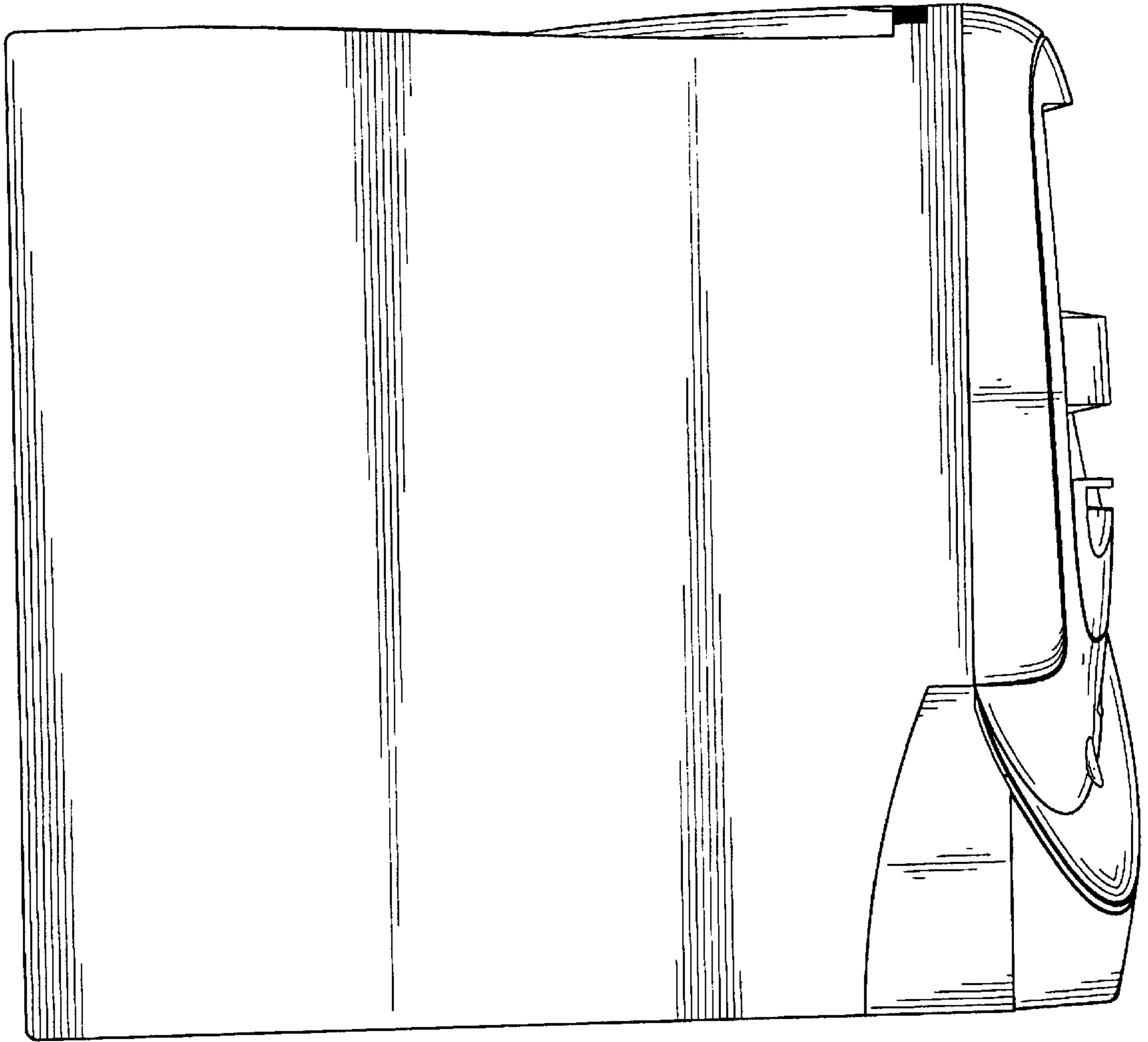


FIG. 4

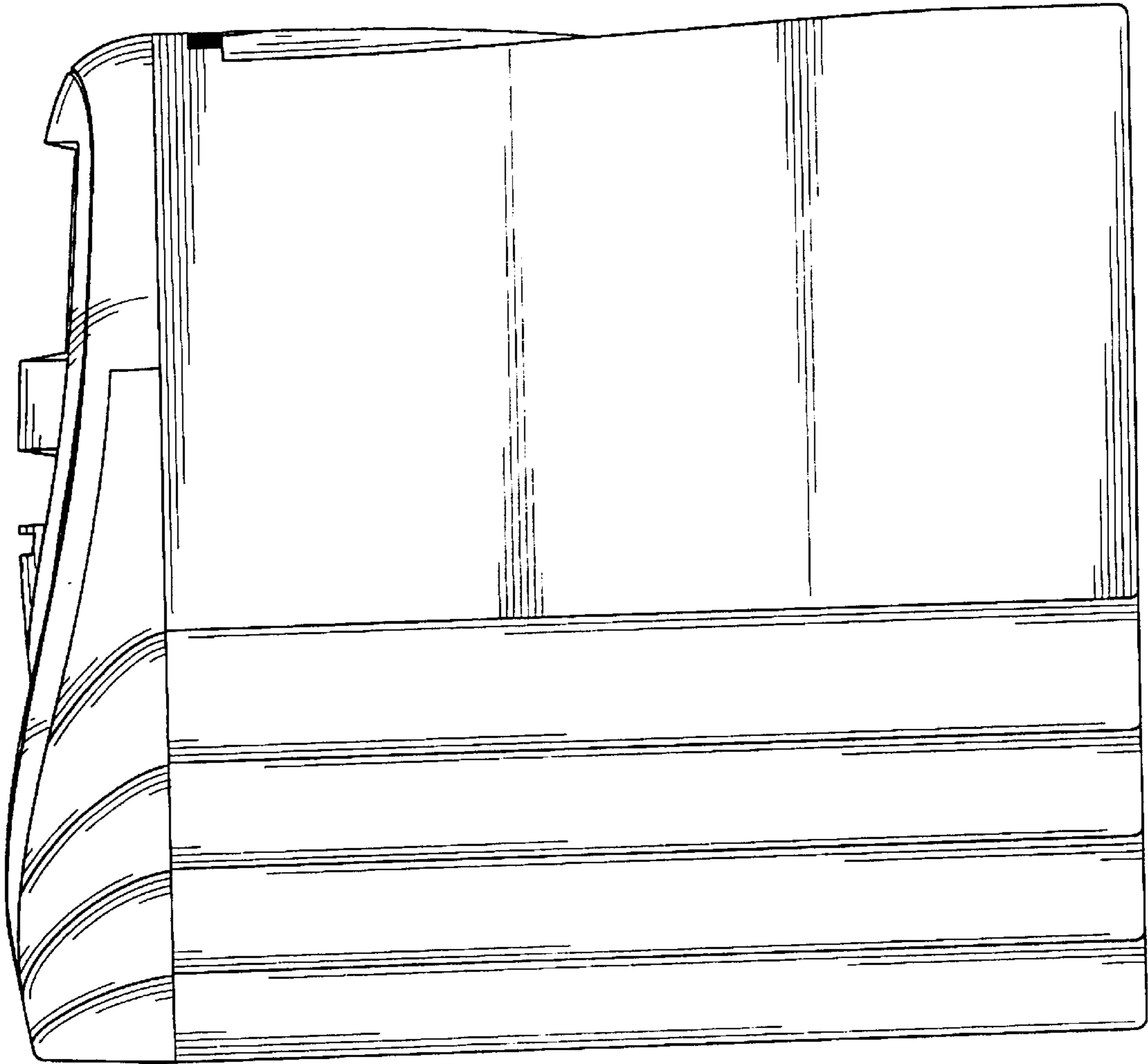


FIG. 5

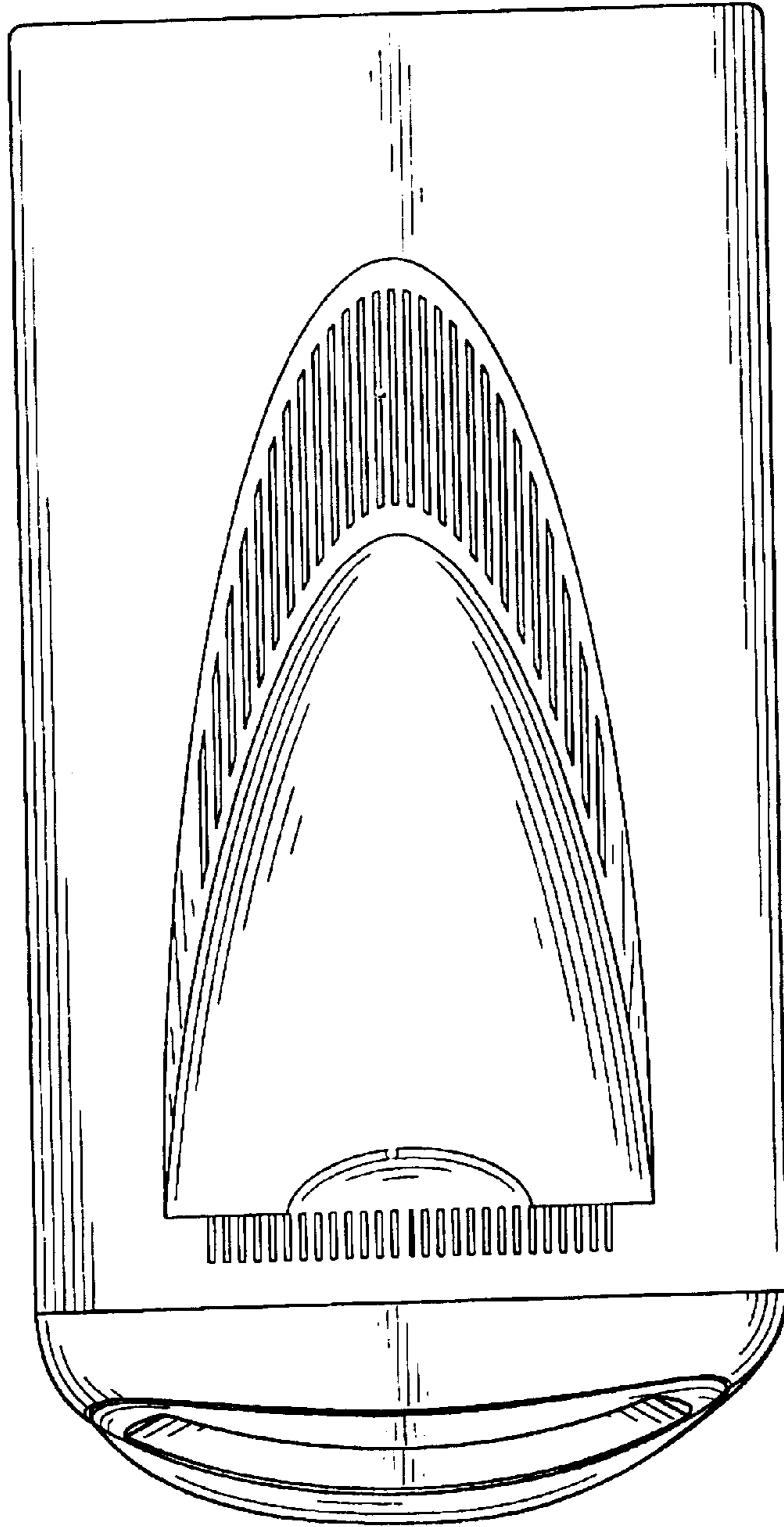


FIG. 6

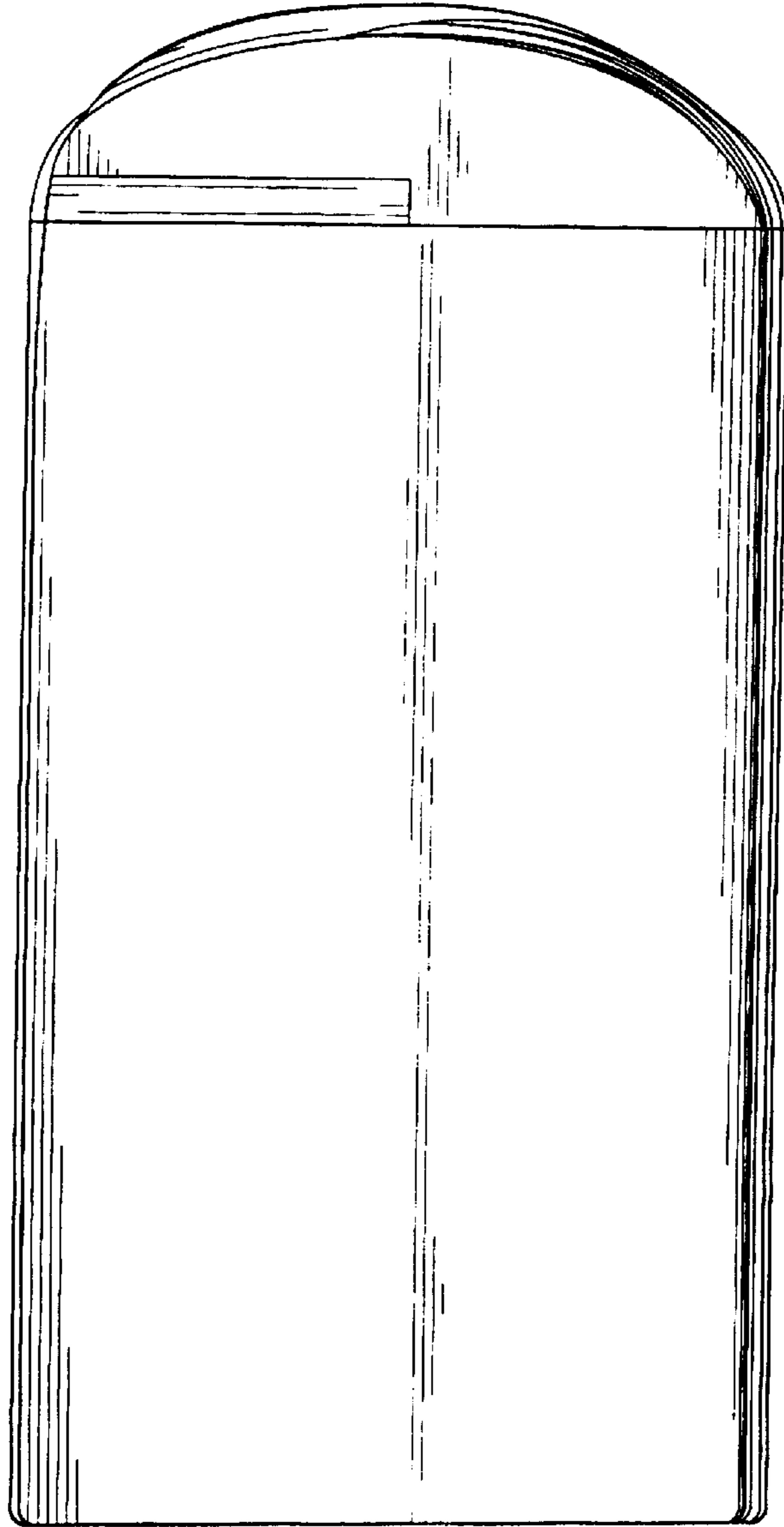


FIG. 7