



US00D431560S

# United States Patent [19]

Lee et al.

[11] **Patent Number: Des. 431,560**

[45] **Date of Patent: \*\* Oct. 3, 2000**

[54] **NOTEBOOK COMPUTER**

D. 408,798 8/1998 Lee et al. .... D14/318

[75] Inventors: **Chia-Chun Lee; Ming-Hsun Chou; Jui-Jung Huang**, all of Taipei, Taiwan

*Primary Examiner*—Freda Nunn  
*Attorney, Agent, or Firm*—Pillsbury Madison & Sutro LLP

[73] Assignee: **Compal Electronics, Inc.**, Taipei, Taiwan

[57] **CLAIM**

[\*\*] Term: **14 Years**

The ornamental design for a notebook computer, as shown and described.

[21] Appl. No.: **29/114,916**

**DESCRIPTION**

[22] Filed: **Dec. 6, 1999**

FIG. 1 is a perspective view of a notebook computer showing our new design;

[51] **LOC (7) Cl.** ..... **14-02**

FIG. 2 is a front elevational view thereof;

[52] **U.S. Cl.** ..... **D14/318**

FIG. 3 is a rear elevational view thereof;

[58] **Field of Search** ..... D14/318, 326, D14/321, 323, 327; D18/1, 2, 7; 235/145 A, 145 R; 341/22, 23; 345/104, 156, 168, 169; 361/680–686; 364/708.1

FIG. 4 is a left side elevational view thereof;

FIG. 5 is a right side elevational view thereof;

FIG. 6 is a top plan view thereof;

FIG. 7 is a bottom plan view thereof; and,

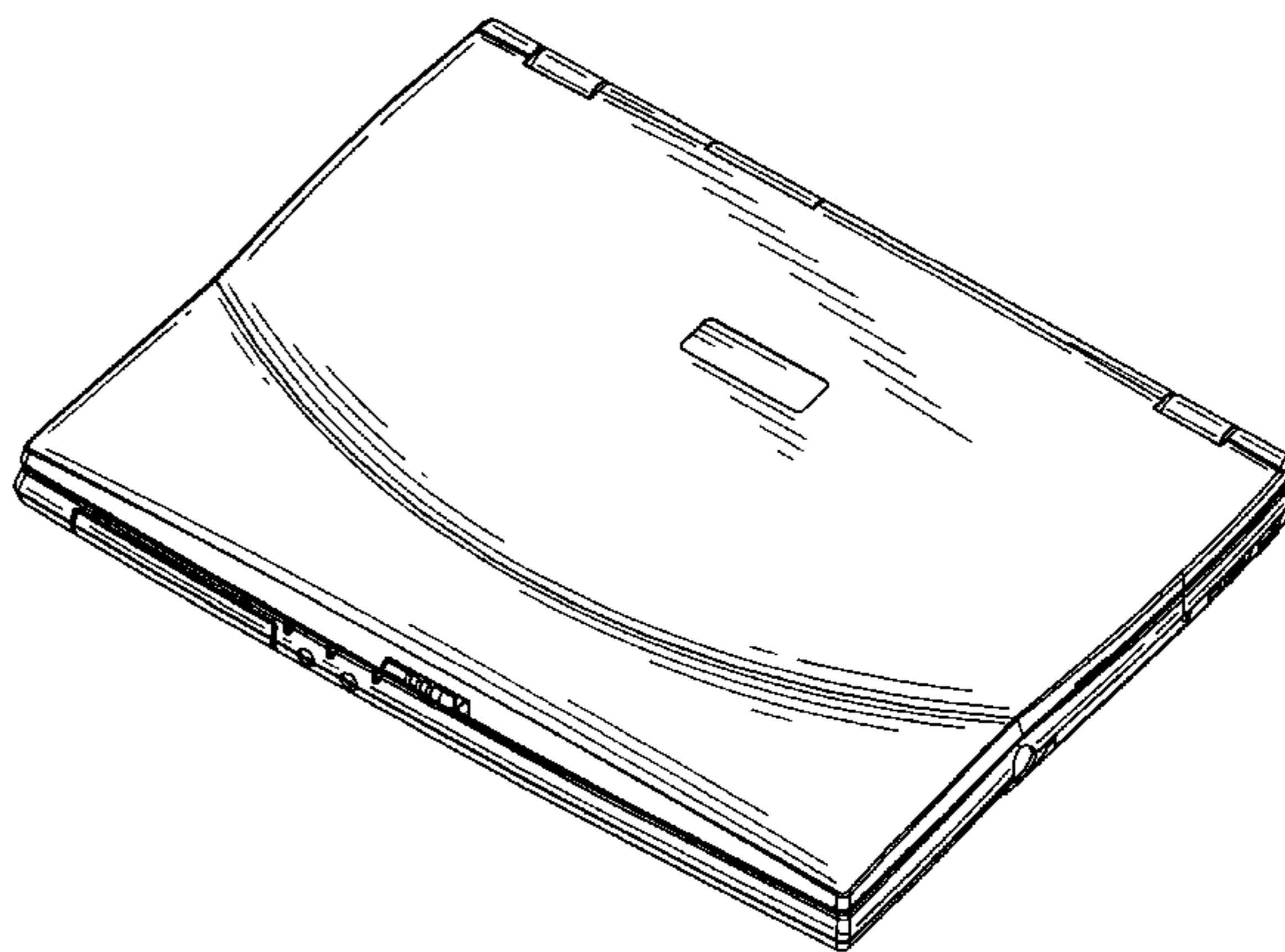
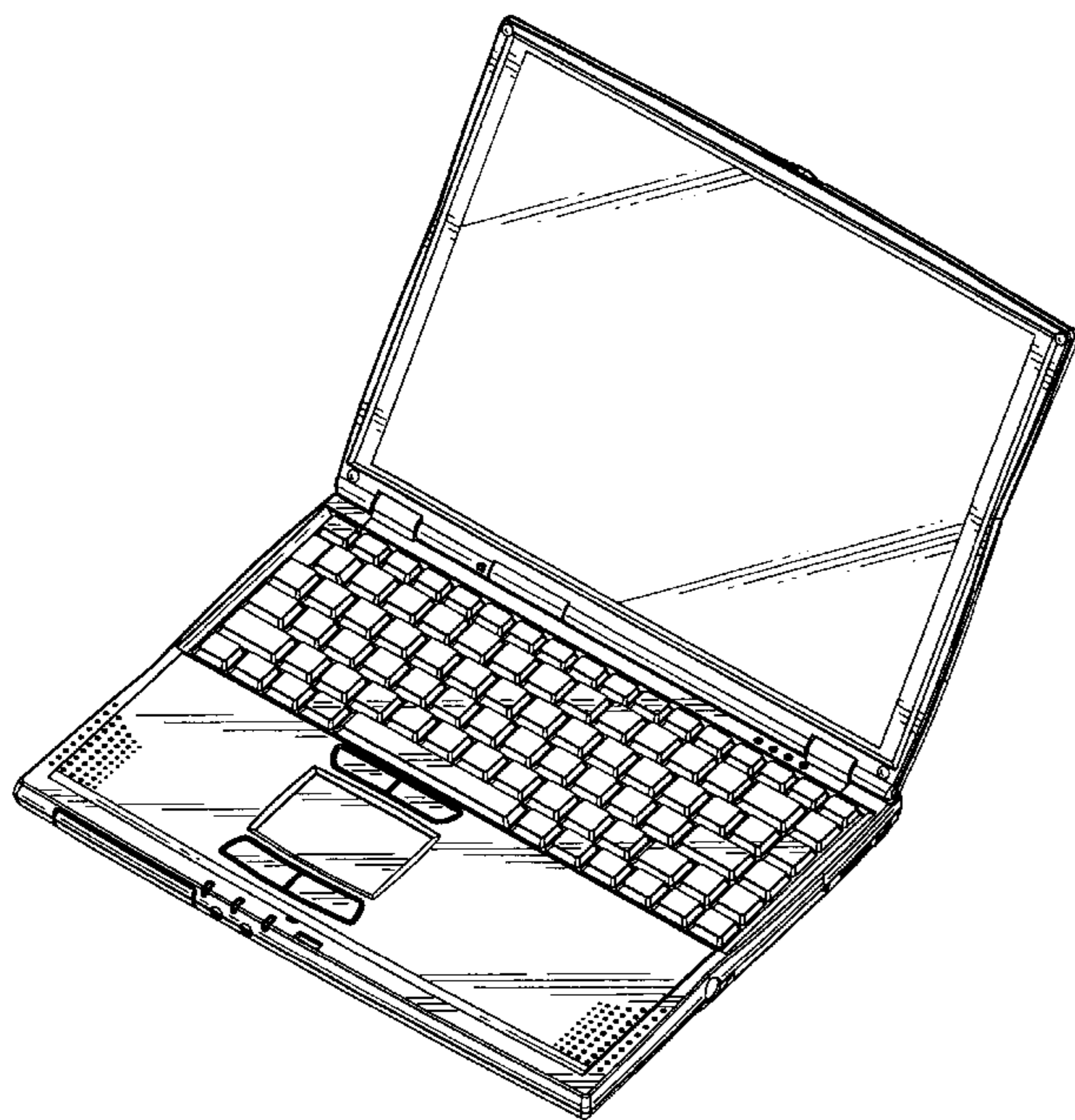
FIG. 8 is another perspective view thereof shown closed.

[56] **References Cited**

**U.S. PATENT DOCUMENTS**

D. 396,703 8/1998 Han ..... D14/318

**1 Claim, 6 Drawing Sheets**



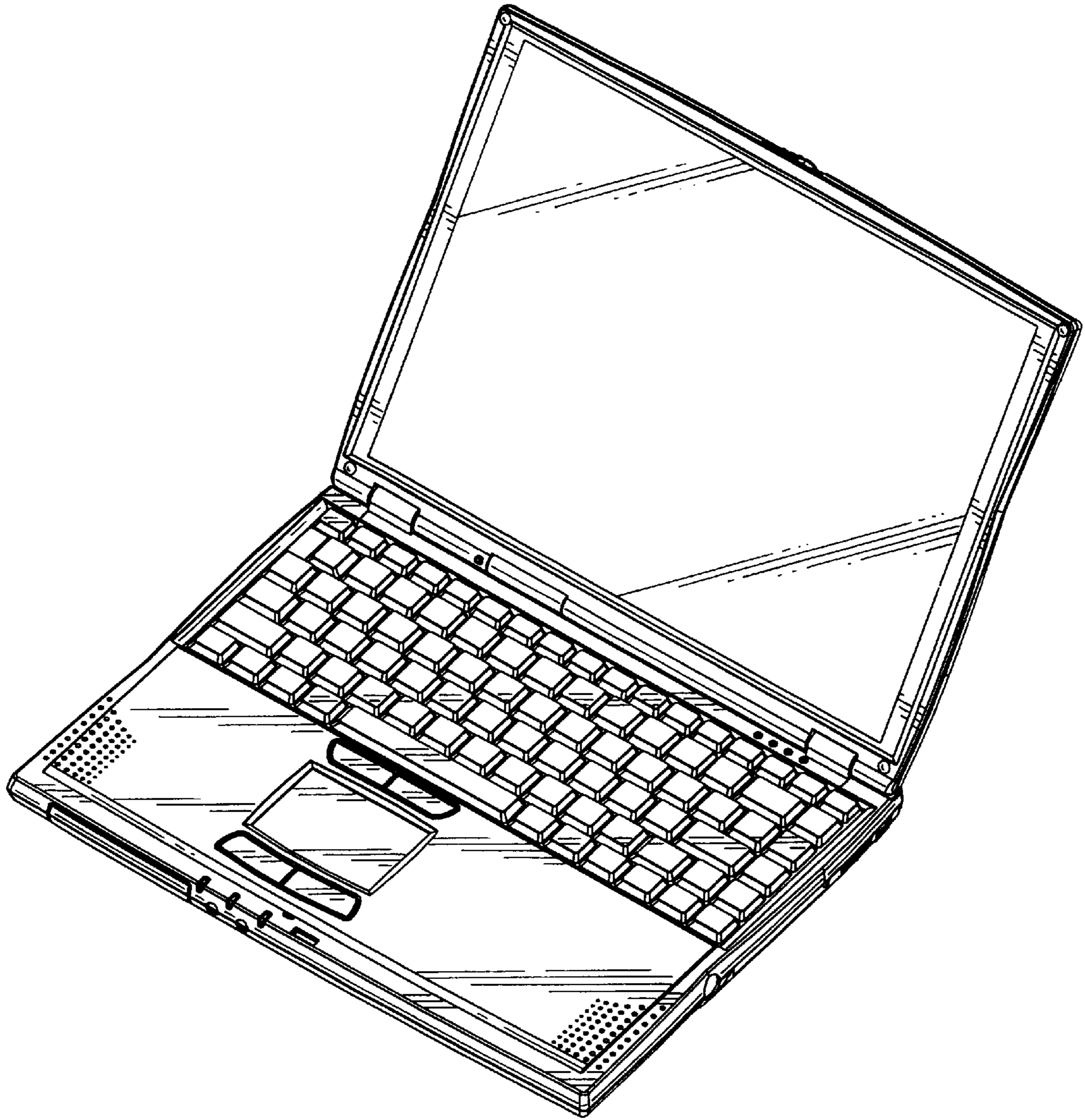


FIG. 1

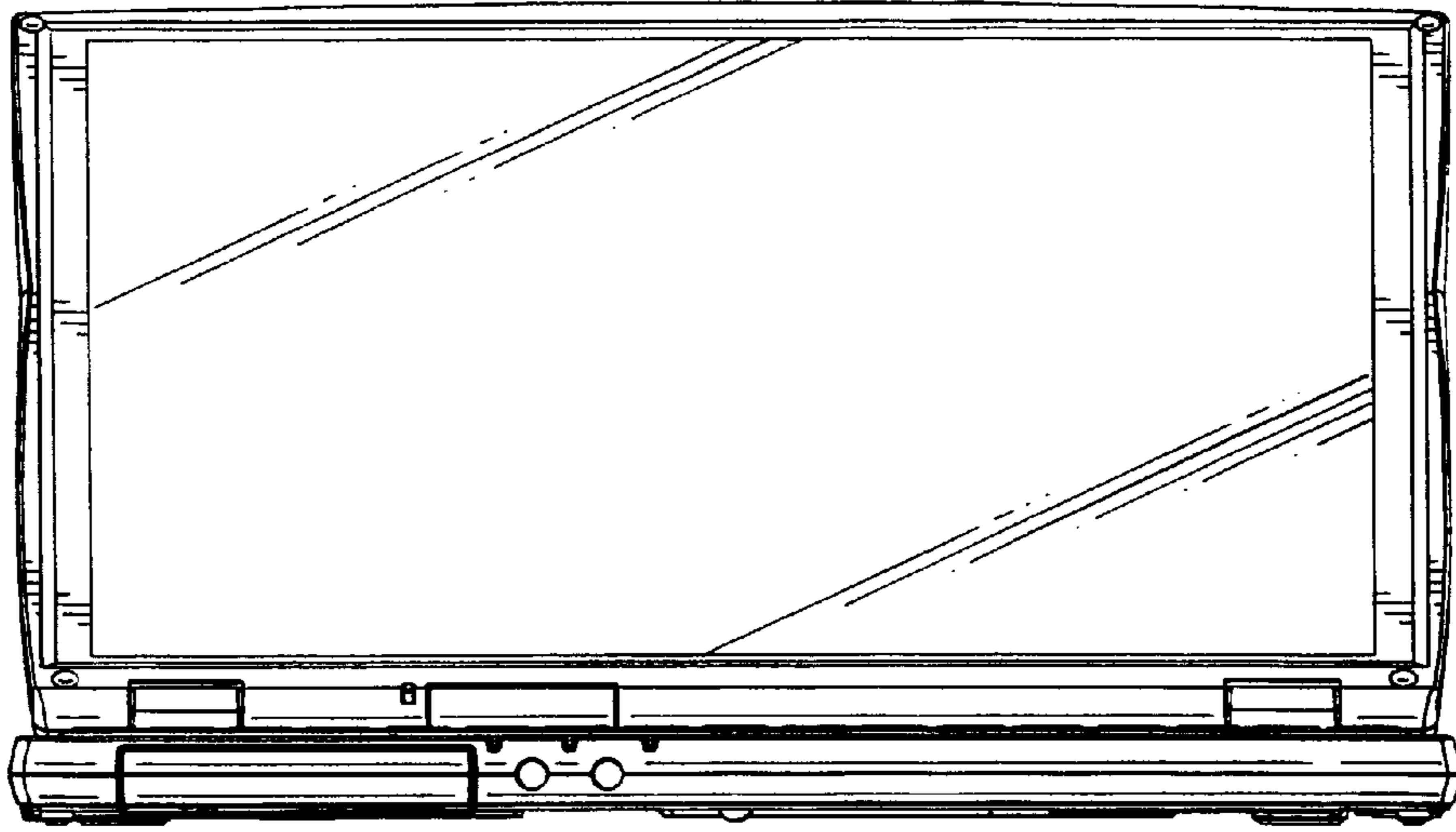


FIG. 2

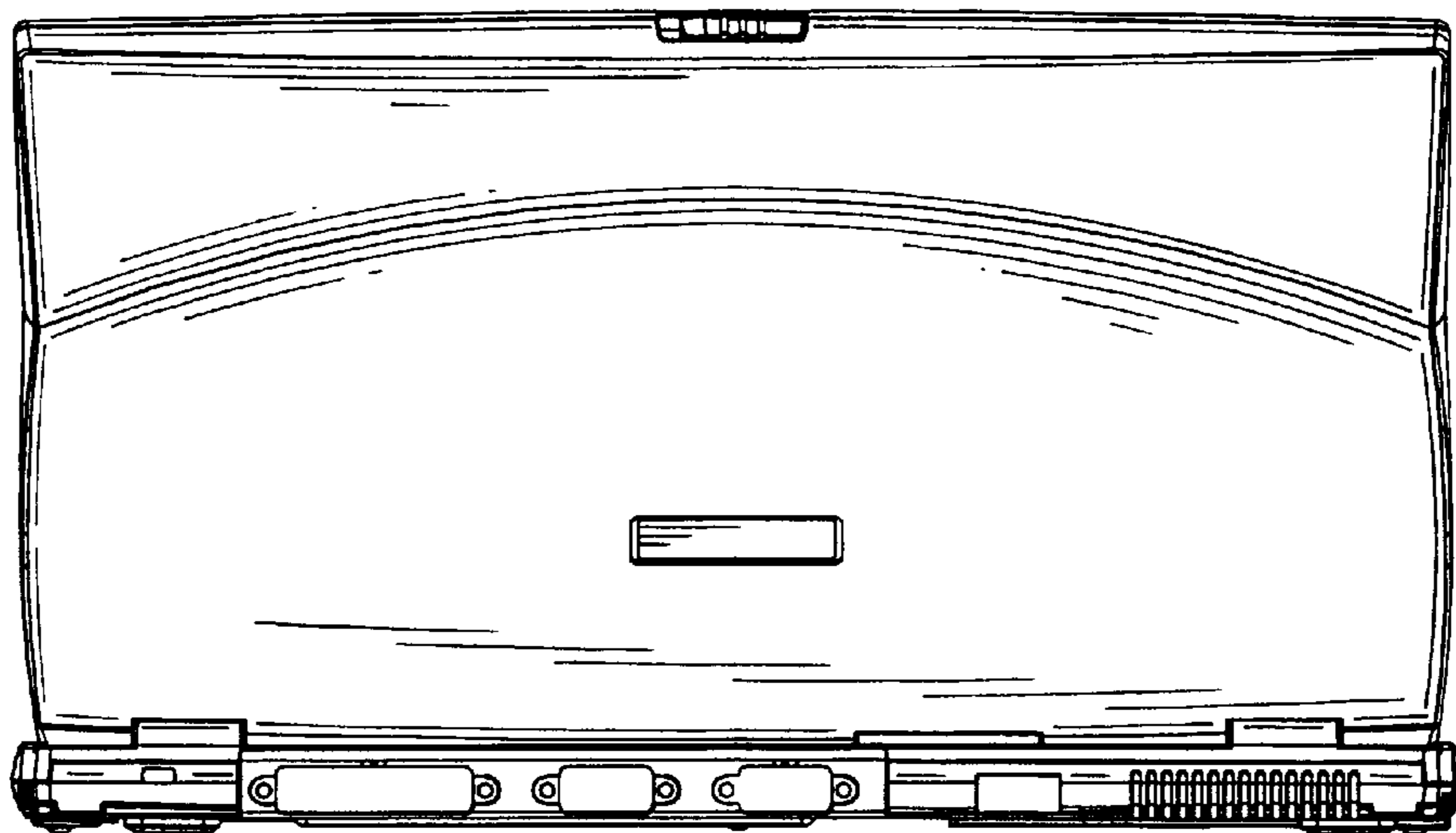


FIG. 3

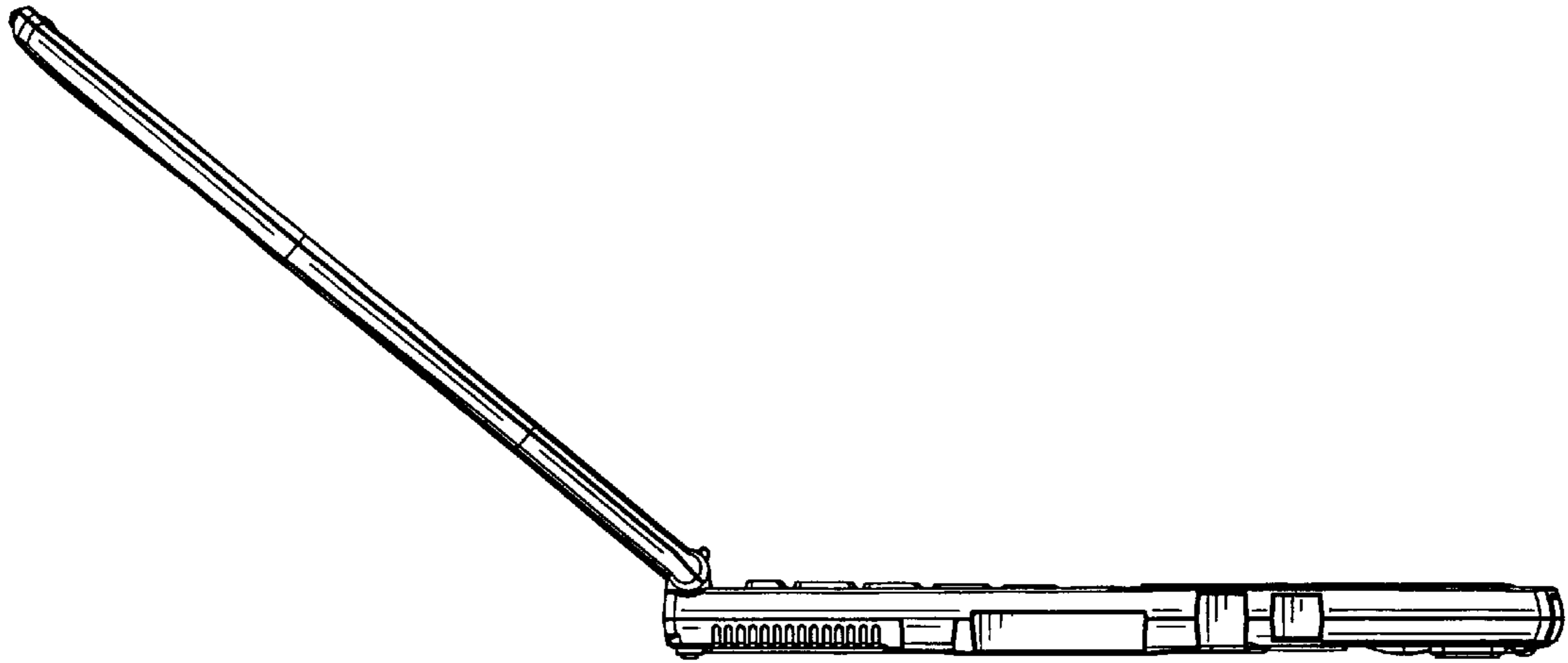


FIG. 4

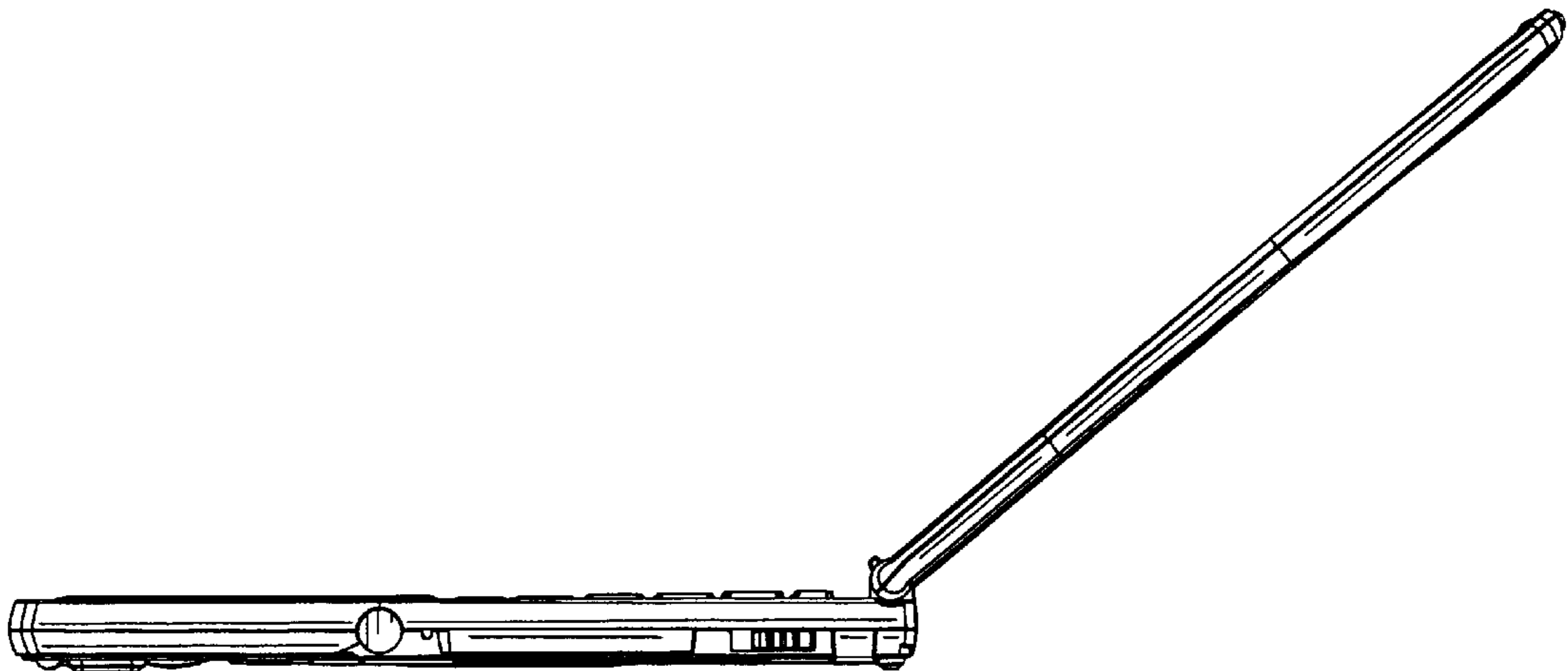


FIG. 5



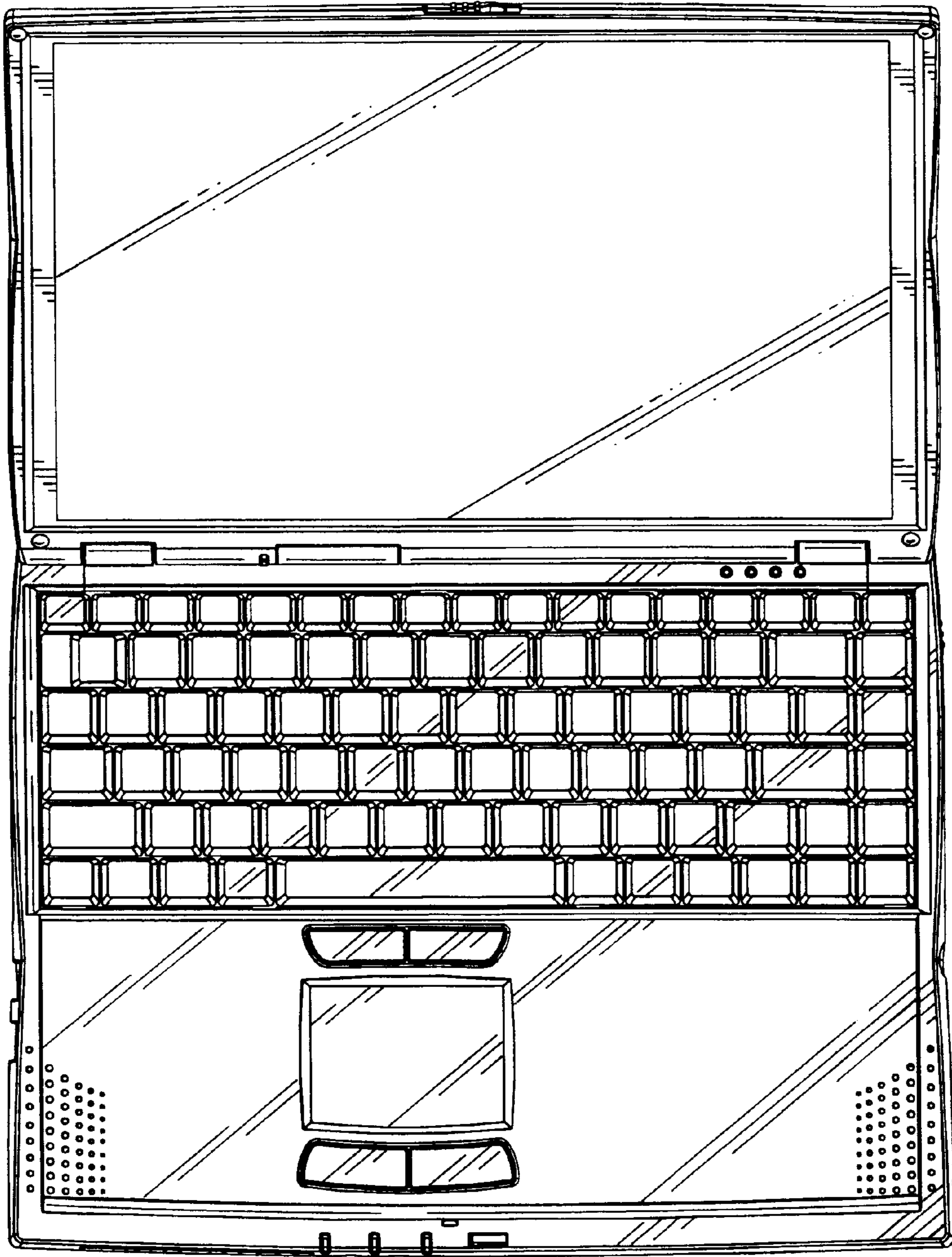


FIG. 6

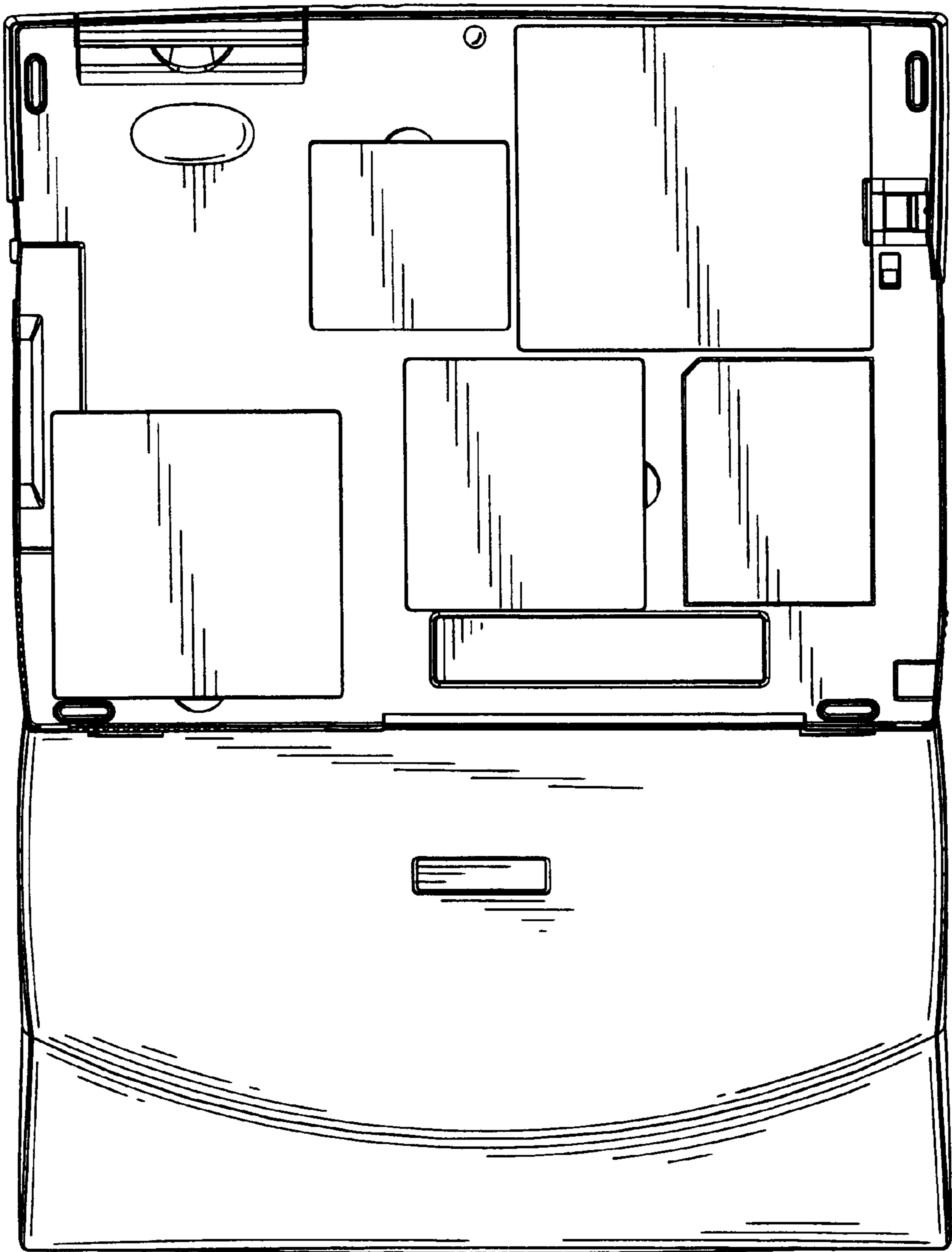


FIG. 7

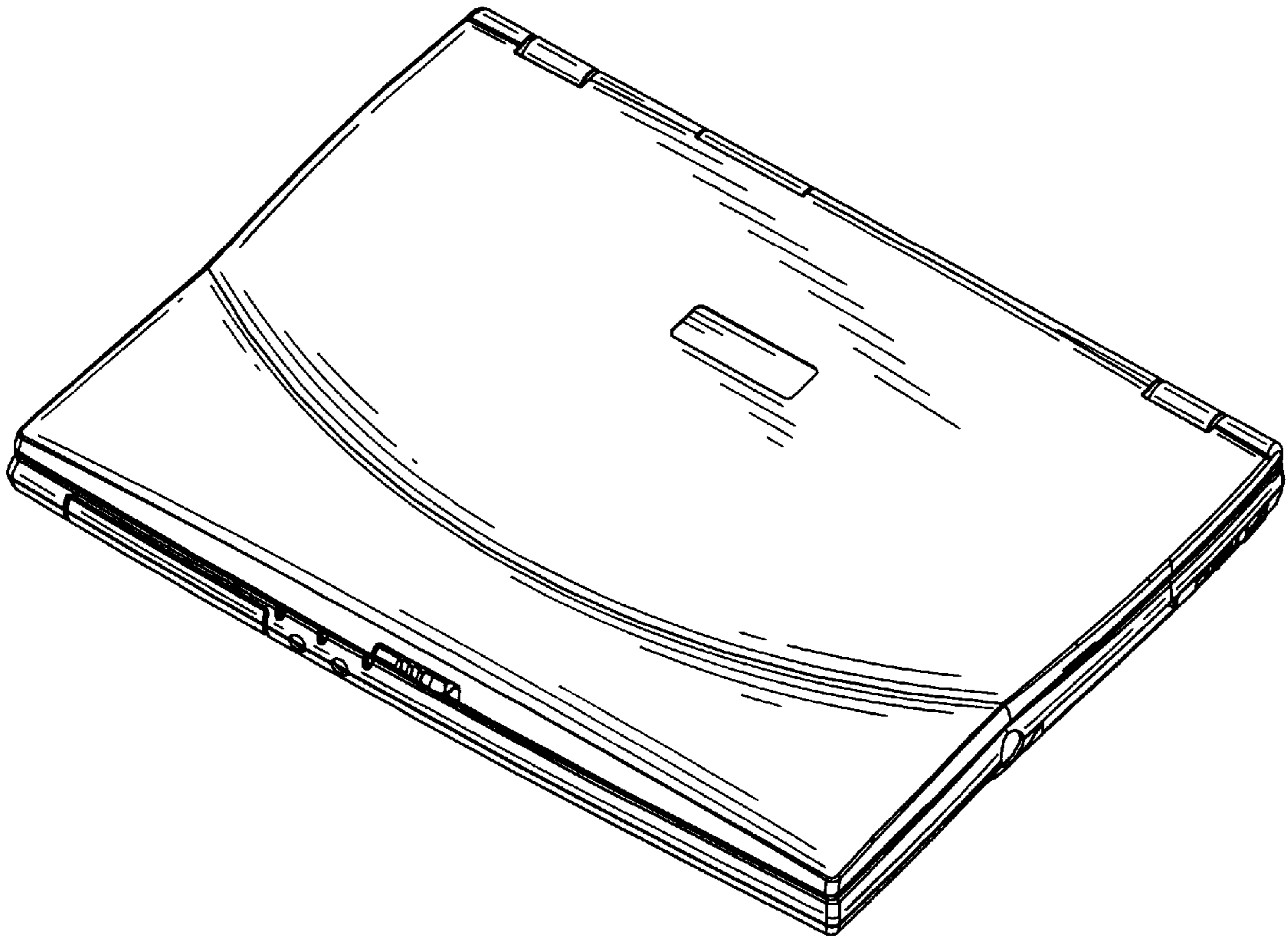


FIG. 8