



US00D431559S

# United States Patent [19] Morooka

[11] **Patent Number: Des. 431,559**  
[45] **Date of Patent: \*\* Oct. 3, 2000**

[54] **COMPUTER**

[75] Inventor: **Takashi Morooka**, Tokyo, Japan

[73] Assignee: **Sony Corporation**, Japan

[\*\*] Term: **14 Years**

[21] Appl. No.: **29/099,986**

[22] Filed: **Feb. 1, 1999**

[51] **LOC (7) Cl.** ..... **14-02**

[52] **U.S. Cl.** ..... **D14/318; D14/323**

[58] **Field of Search** ..... D14/100, 106,  
D14/115; D18/1, 2, 7; 235/145 A, 145 R;  
345/104, 156, 168, 169; 341/22, 23; 361/680-686;  
364/708.1; 400/486, 489

[56] **References Cited**

**U.S. PATENT DOCUMENTS**

D. 356,069	3/1995	Lee	.....	D14/106
D. 361,553	8/1995	De Lullis	.....	D14/106
D. 370,217	5/1996	Kondo	.....	D14/106
D. 380,459	7/1997	Tanimura et al.	.....	D14/106
D. 384,043	9/1997	Tamaki	.....	D14/106
D. 385,856	11/1997	Kawa	.....	D14/106
D. 388,403	12/1997	Tochishita	.....	D14/106
D. 396,703	8/1998	Han	.....	D14/106

**OTHER PUBLICATIONS**

Catalog: Digital HiNote VP 500 Series, Japan Degital Equipment Co., Ltd. (Sep. 16, 1996).

Catalog: 98 Note Lavie, NEC Home Electronics Co., Ltd. (Jan. 1997).

Catalog: PROSPERT, Epson Co., Ltd, (Mar. 14, 1997).

Catalog: Winky High Performacne PC, Sanyo electric Co., Ltd. (Mar, 1997).

Excerpt from "Hello! PC" (date of publication presently unknown).

Catalog: Personal Computer PC-W110, Sharp Corp. (Apr. 1997).

Catalog: Personal Computer MN-7650, Sharp Corp. (Feb. 1997).

Catalog: WinBook Bird, SOTEC Co., Ltd. (Apr. 1997).

Advertisement filer: Big Pasokon Kan (May 23, 1997).

Catalog, Accessory 59, p. 65, Sony (Nov. 1996).

Catalog, "VAIO," PCG-719, PCG-715 and PCG-713, Sony (Oct. 1997).

Catalog, "VAIO," PCG-505RX, PCG-505RS and PCG-505R, Sony (Sep. 1998).

Catalog, "VAIO," PCG-868, 864, 862, 861/BP, 767 and 767/BP, Sony (Oct. 1998).

*Primary Examiner*—Freda Nunn

*Attorney, Agent, or Firm*—Rader, Fishman & Grauer

[57] **CLAIM**

The ornamental design for a computer, as shown and described.

**DESCRIPTION**

FIG. 1 is a perspective view of a first embodiment of a computer showing my new design;

FIG. 2 is a rear elevational view thereof;

FIG. 3 is a left side elevational view thereof;

FIG. 4 is a bottom plan view thereof;

FIG. 5 is a front elevational view thereof;

FIG. 6 is a right side elevational view thereof;

FIG. 7 is a top plan view thereof; and;

FIG. 8 is another perspective view thereof, wherein the screen portion is in the closed position.

FIG. 9 is a perspective view of a second embodiment of a computer showing my new design;

FIG. 10 is a rear elevational view thereof;

FIG. 11 is a left side elevational view thereof;

FIG. 12 is a bottom plan view thereof;

FIG. 13 is a front elevational view thereof;

FIG. 14 is a right side elevational view thereof;

FIG. 15 is a top plan view thereof; and,

FIG. 16 is another perspective view thereof, wherein the screen portion is in the closed position.

**1 Claim, 10 Drawing Sheets**

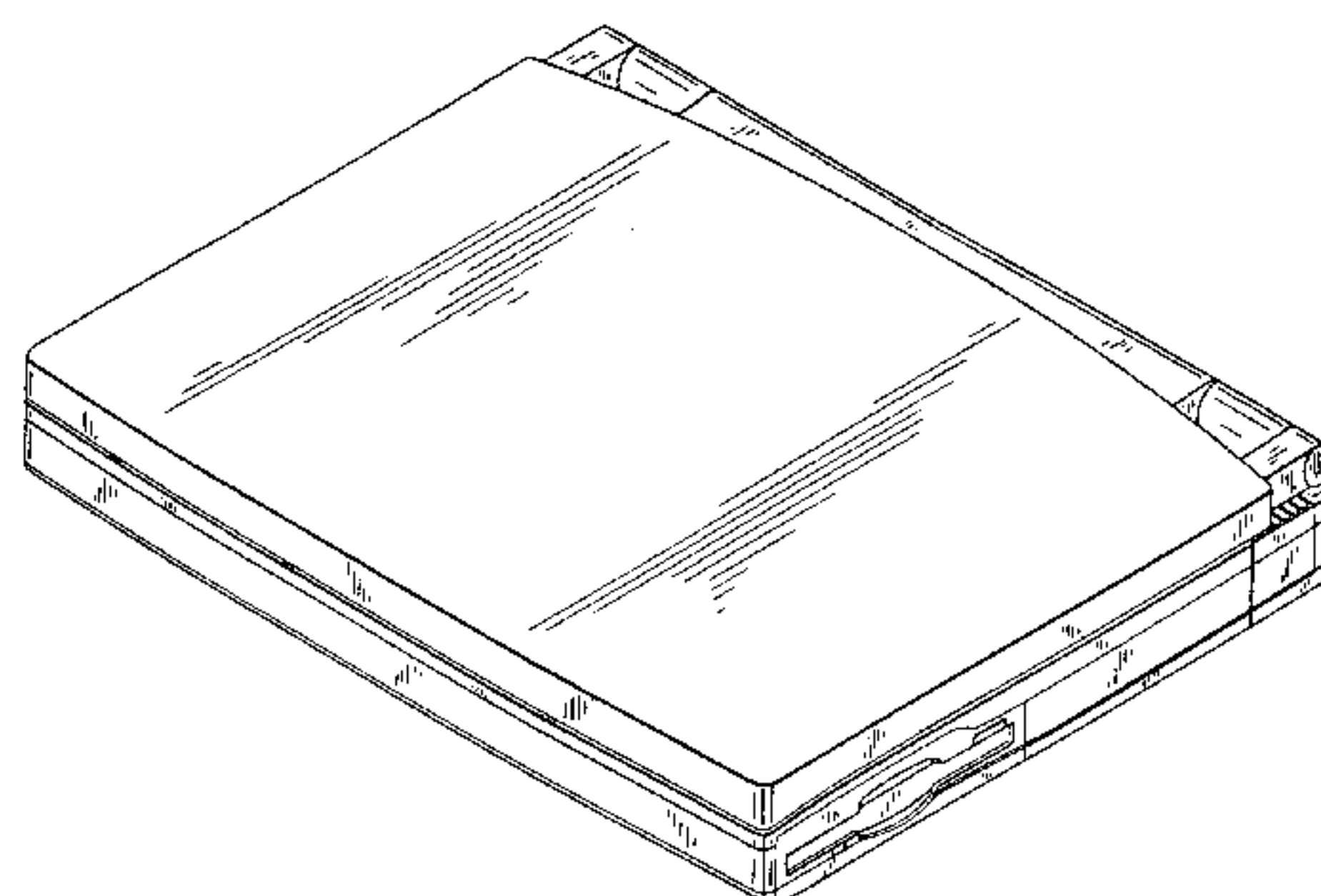
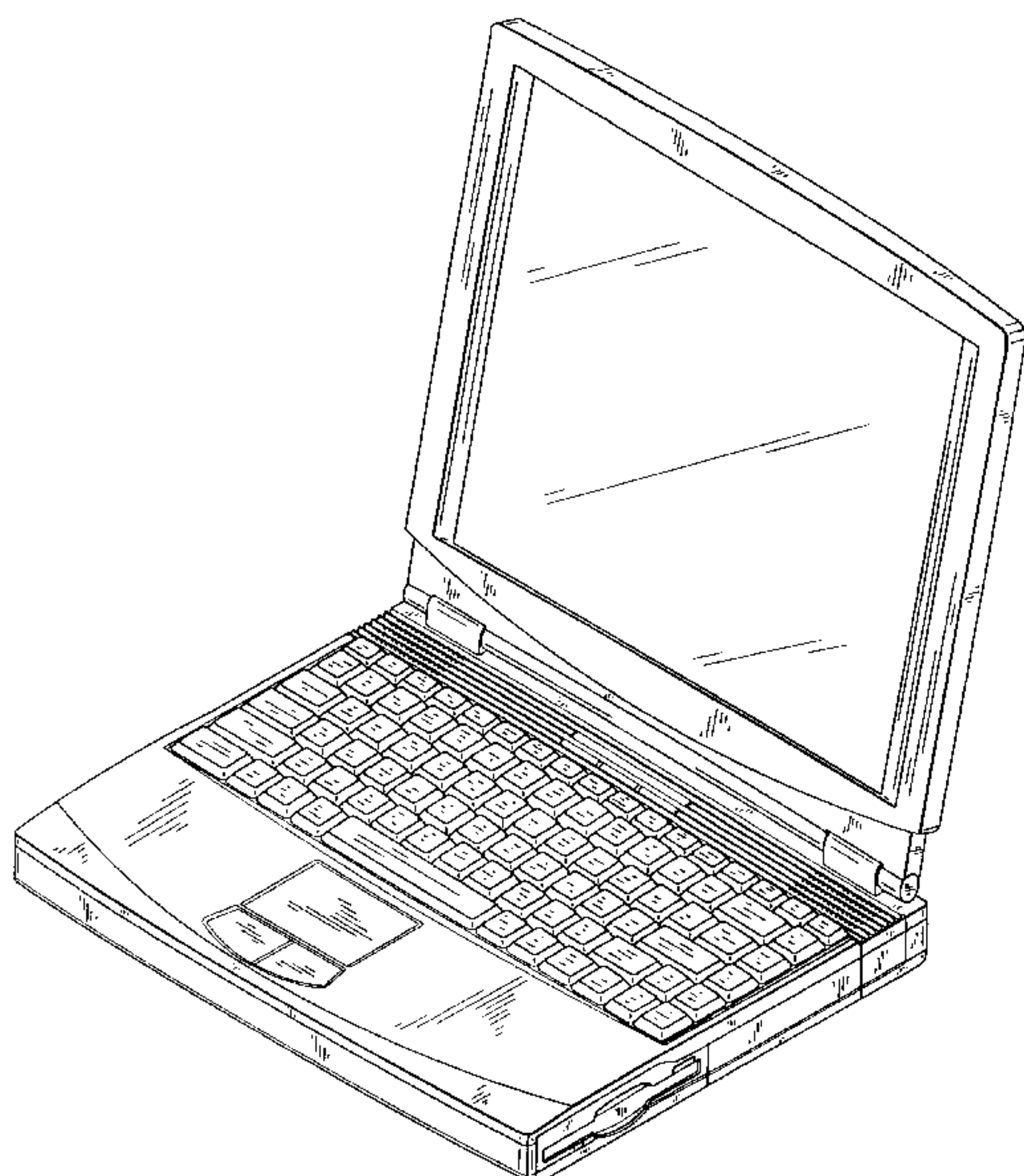


FIG. 1

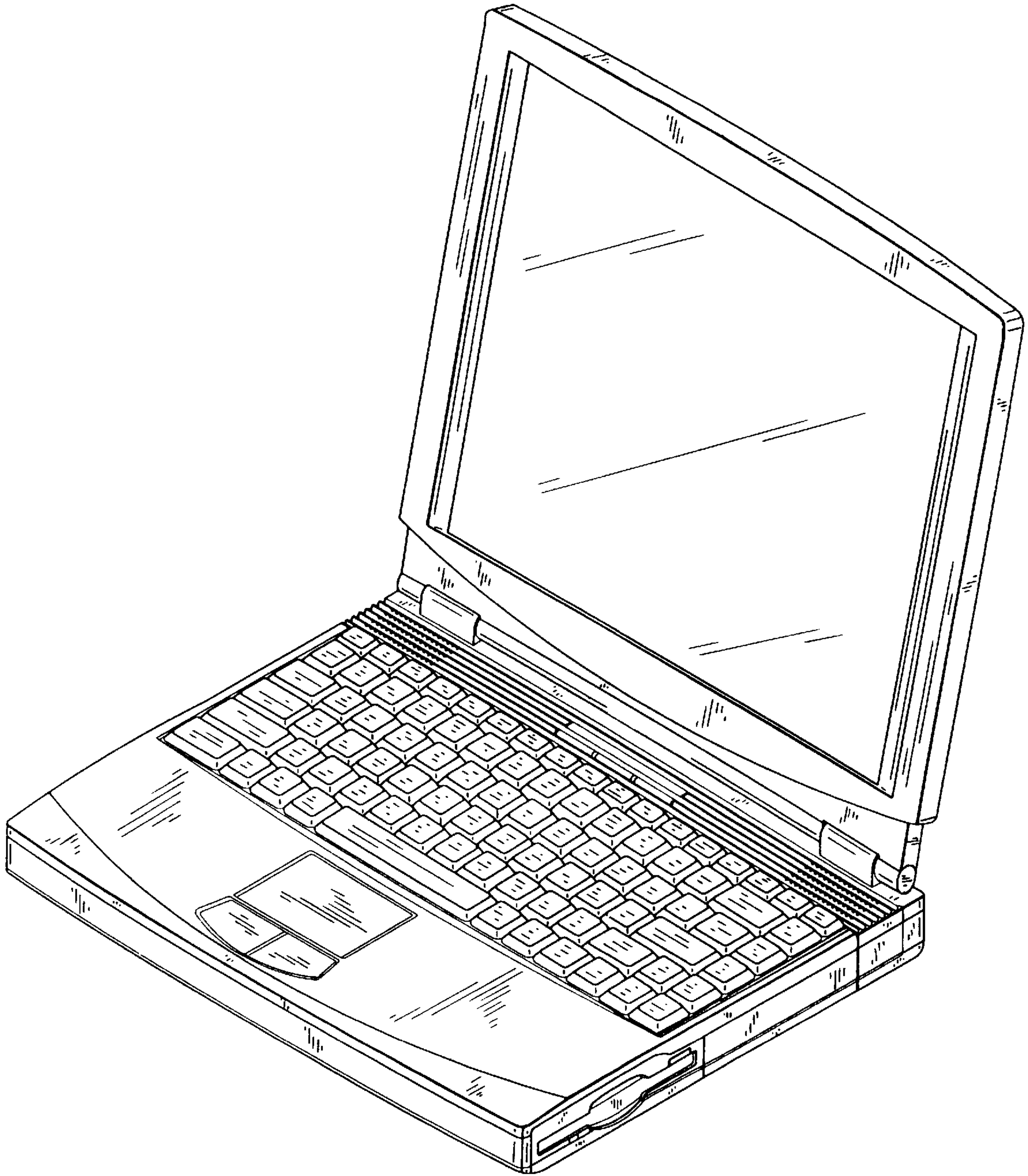


FIG. 3

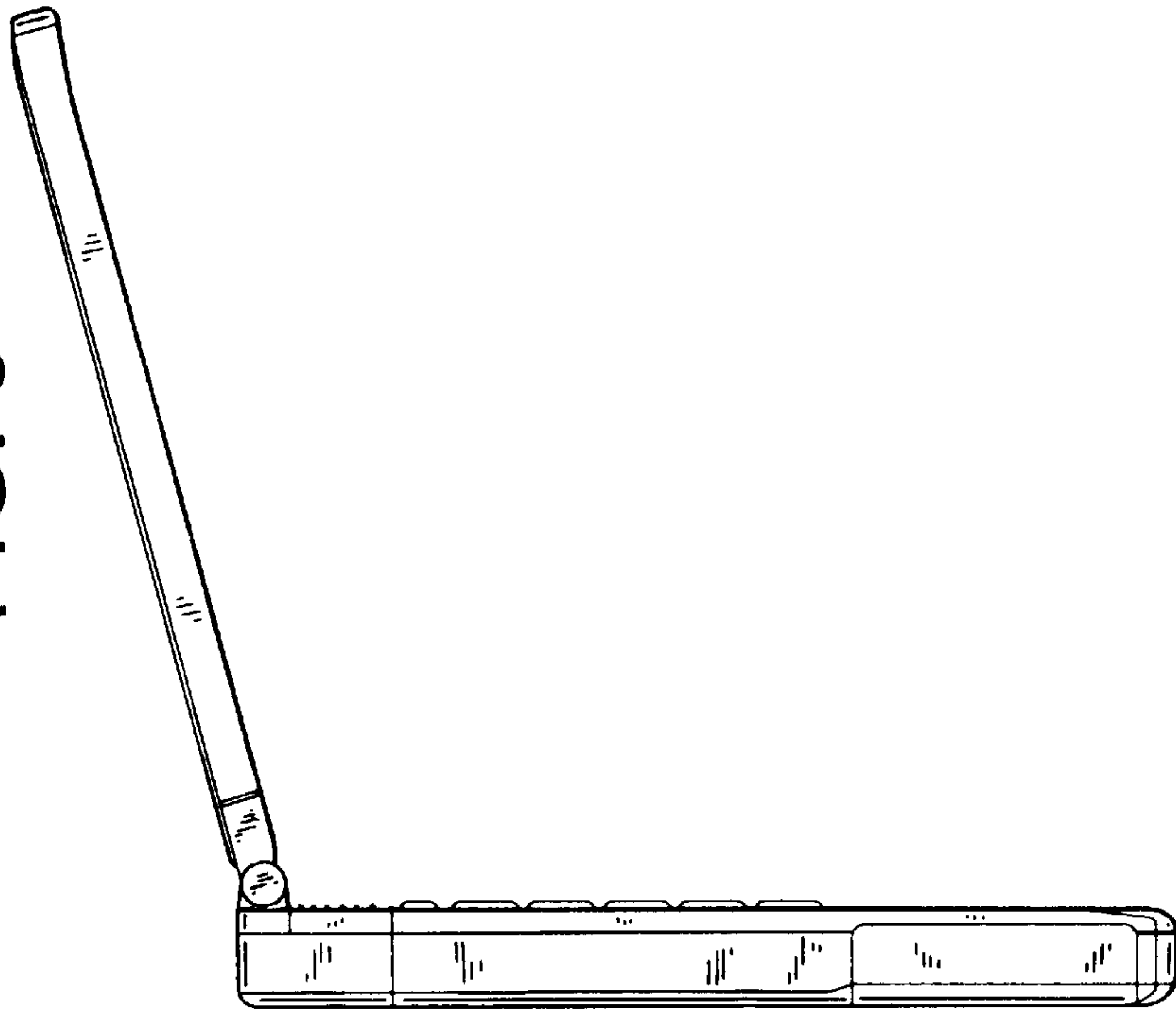


FIG. 2

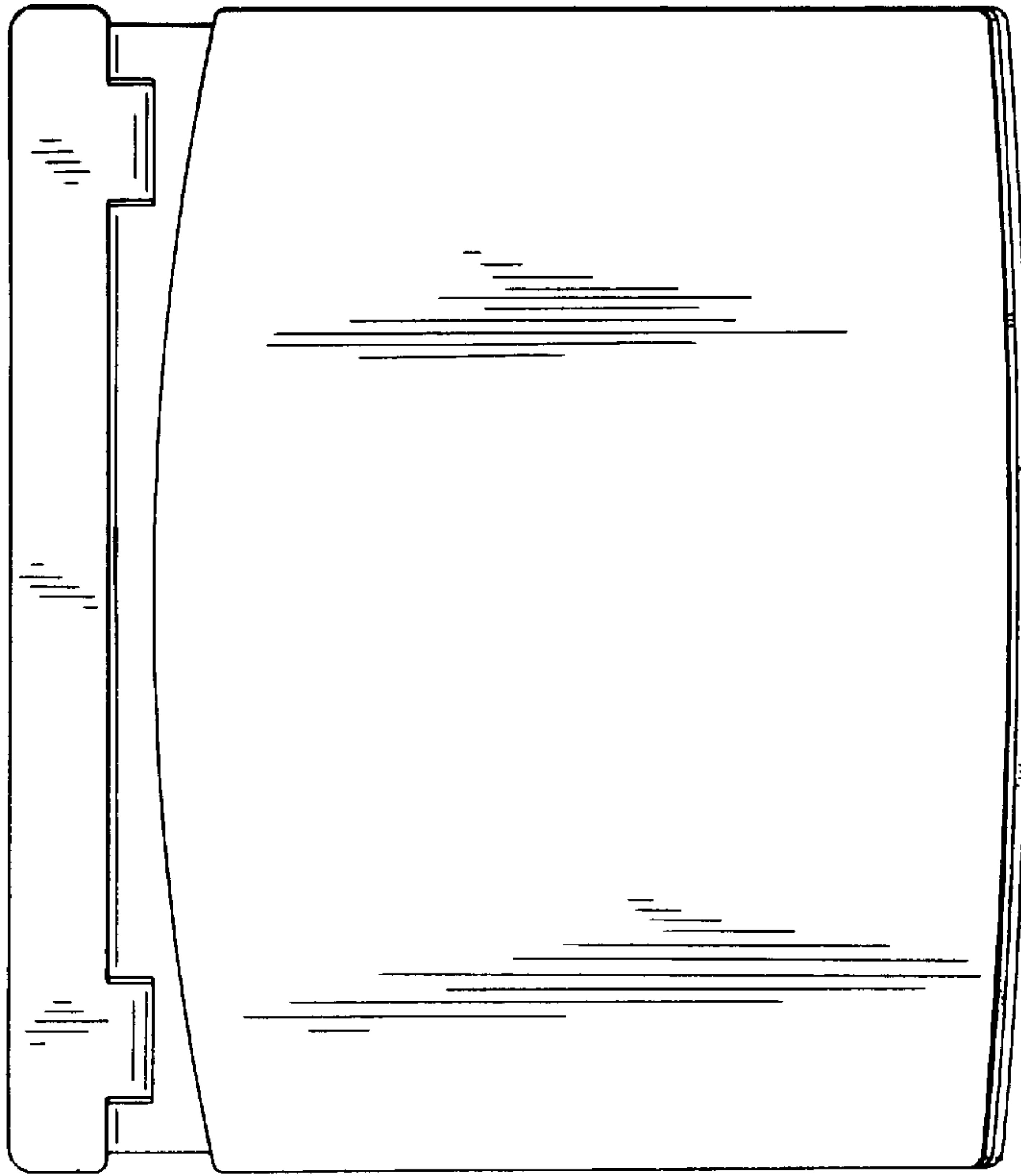




FIG. 4

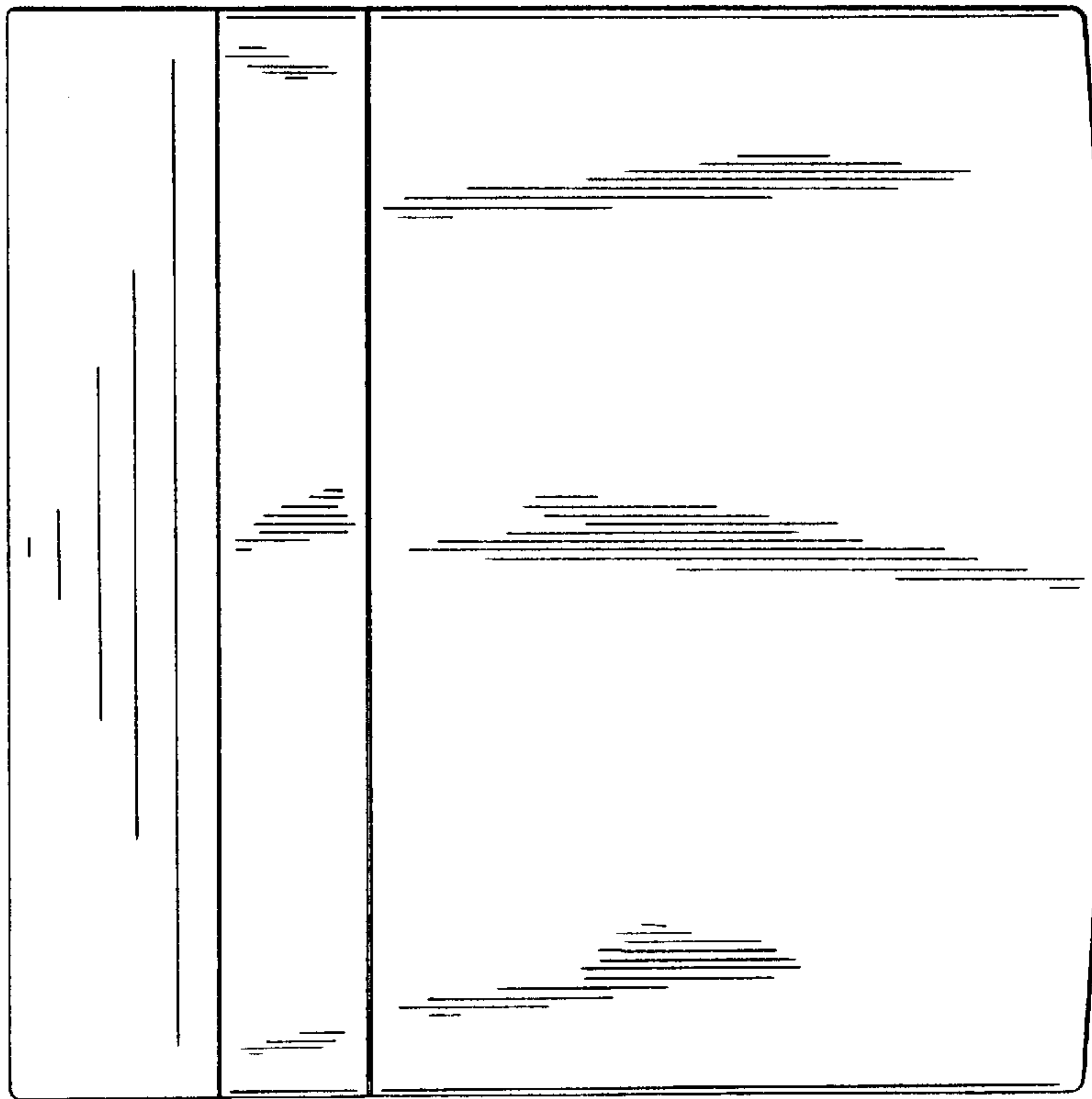


FIG. 5

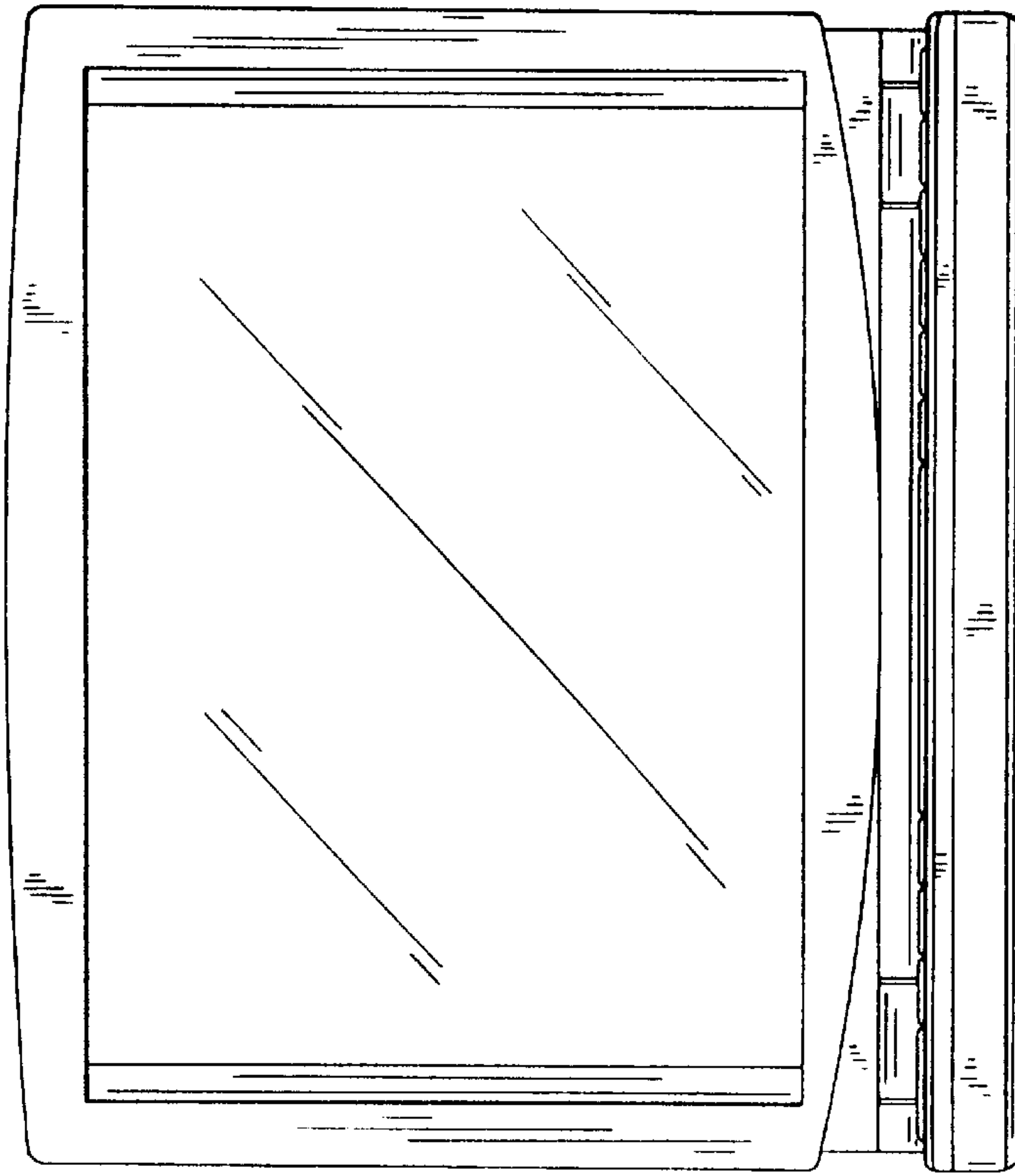


FIG. 6

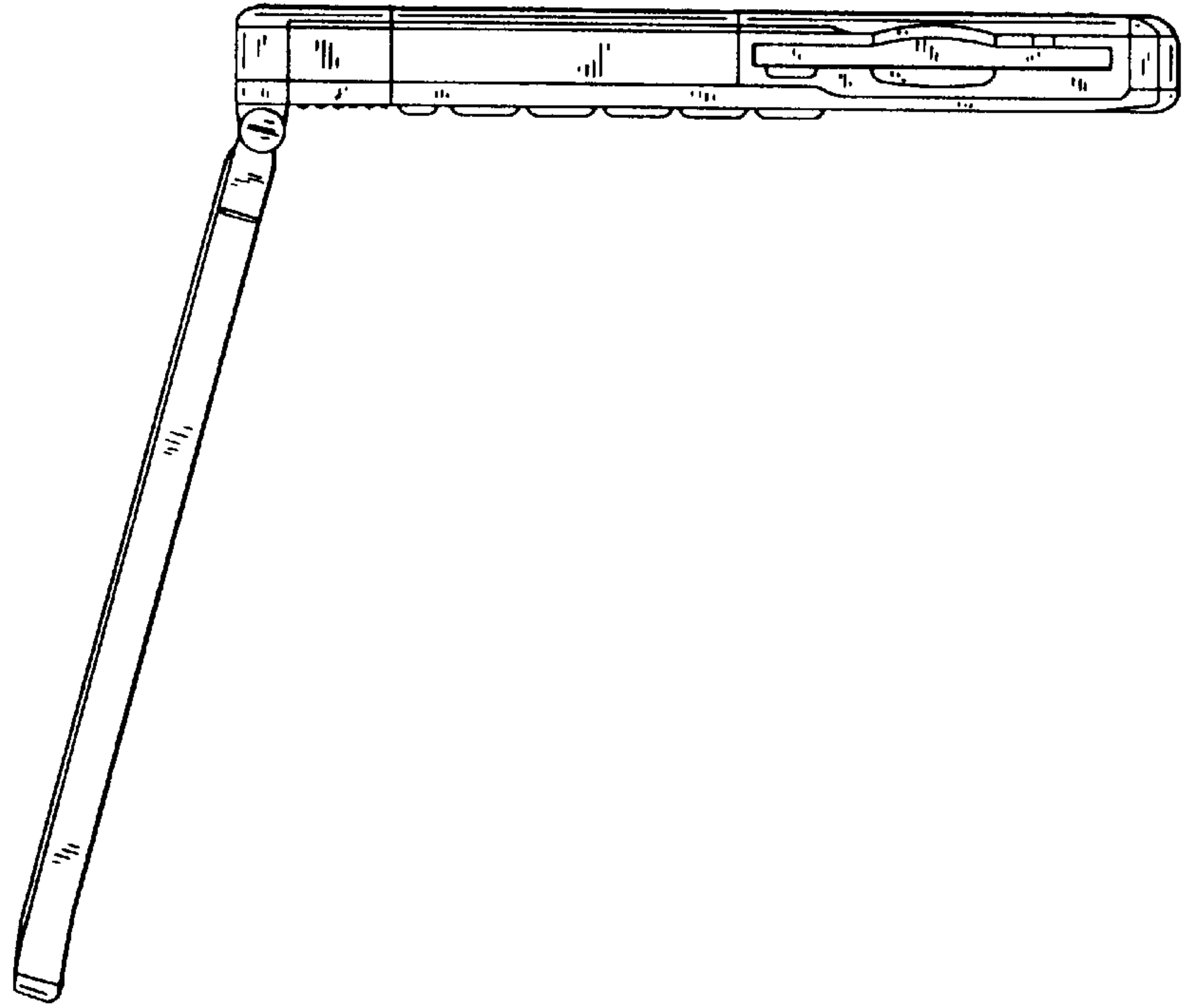


FIG. 7

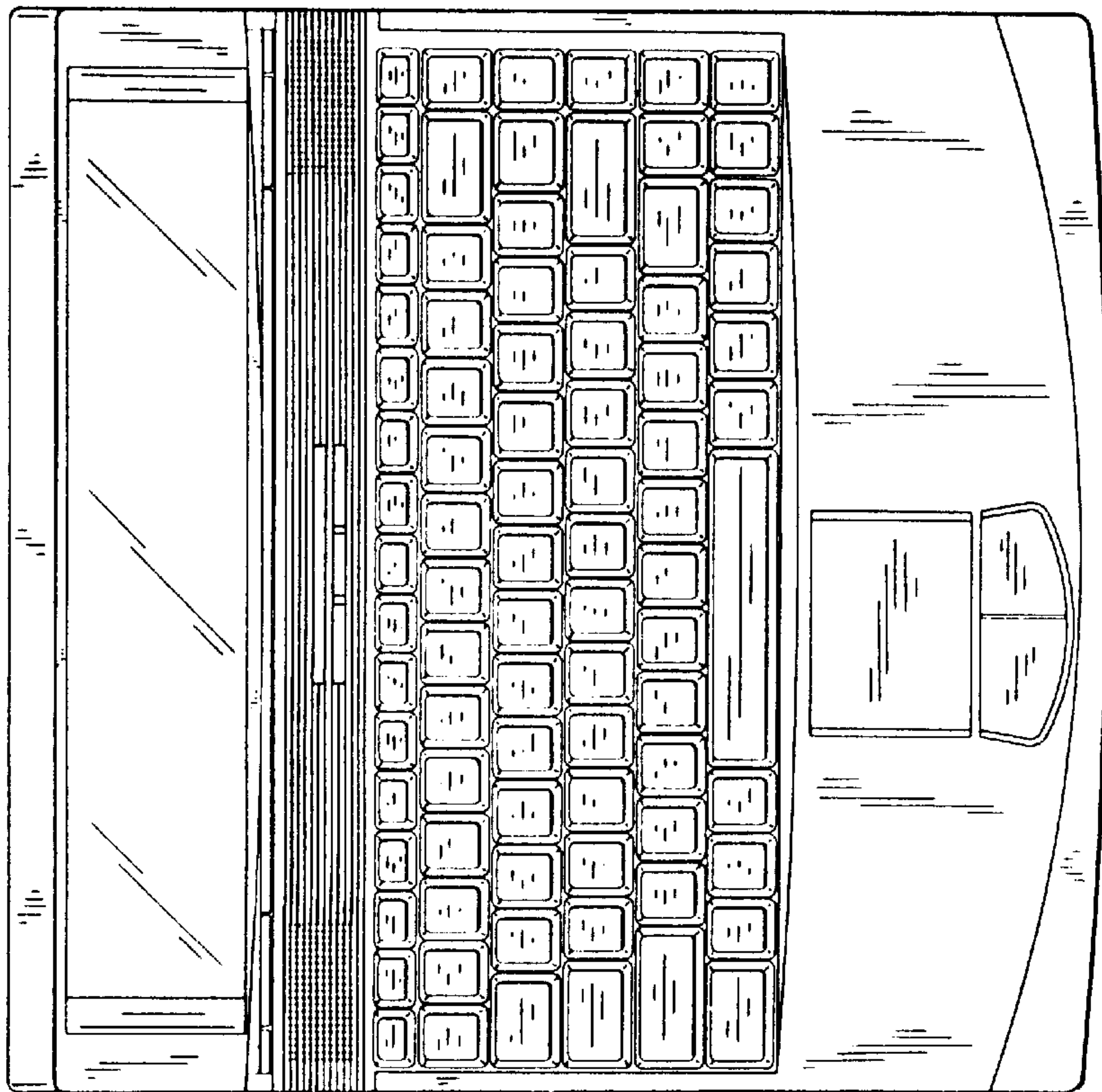


FIG. 8

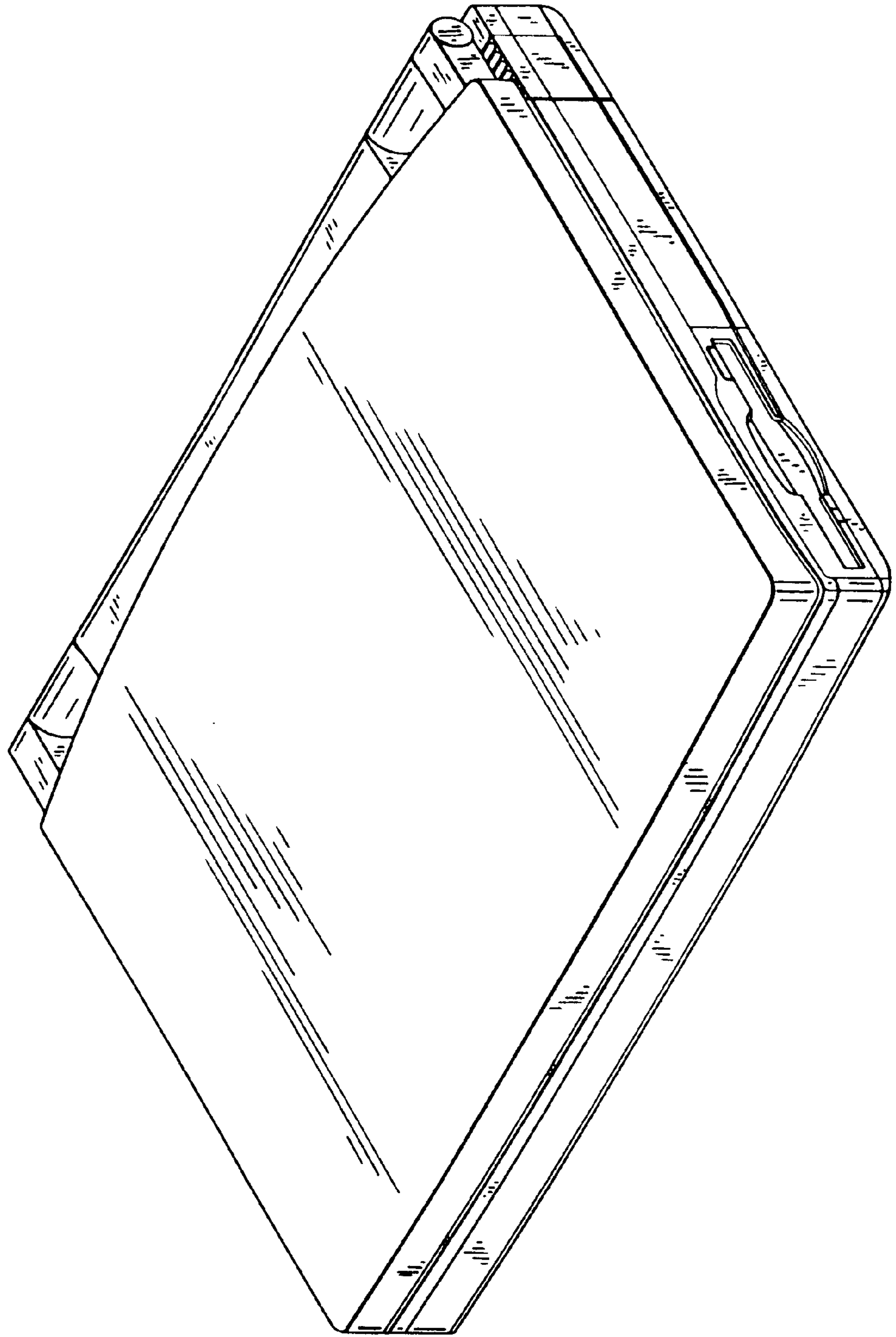


FIG. 9

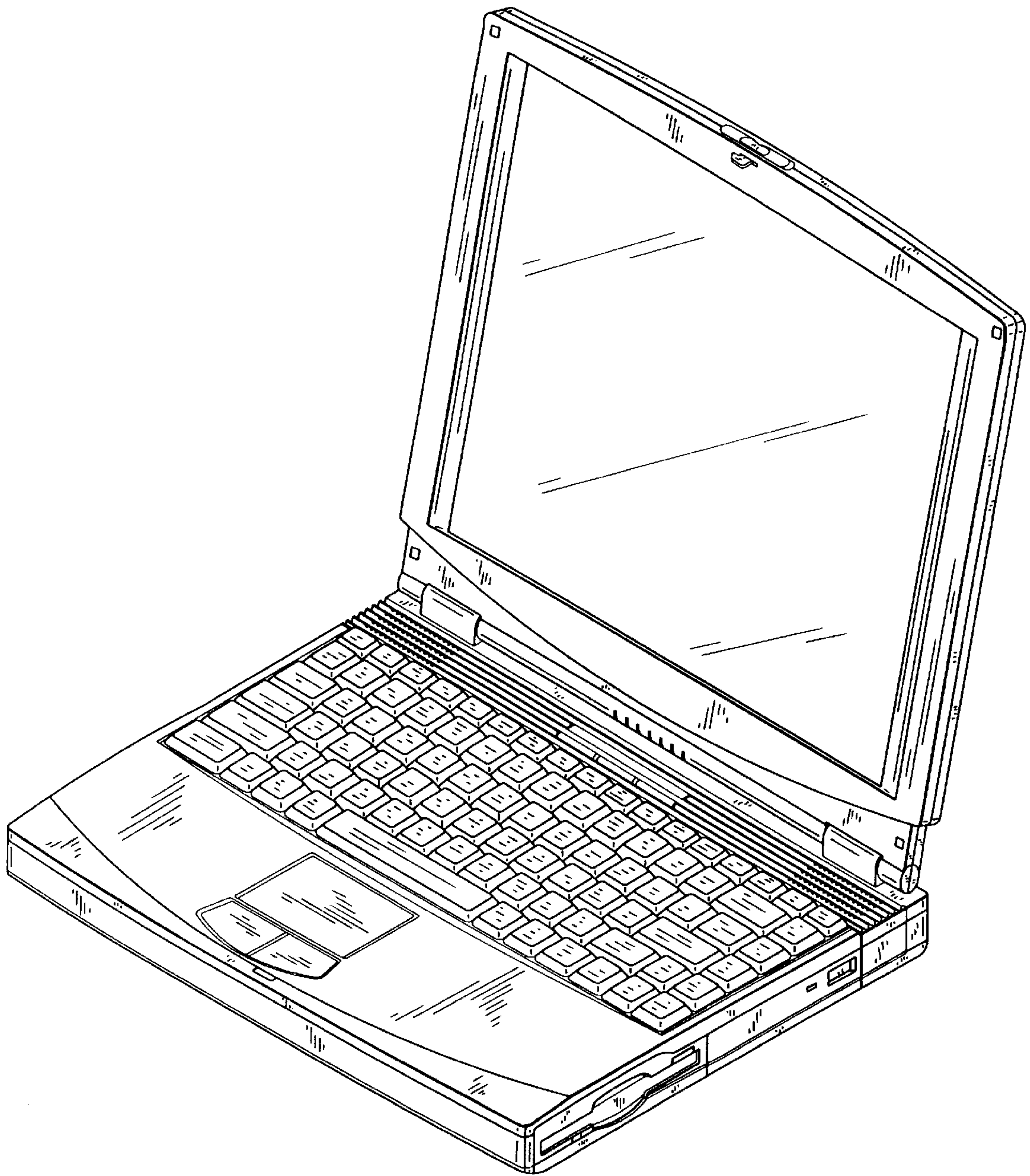


FIG. 11

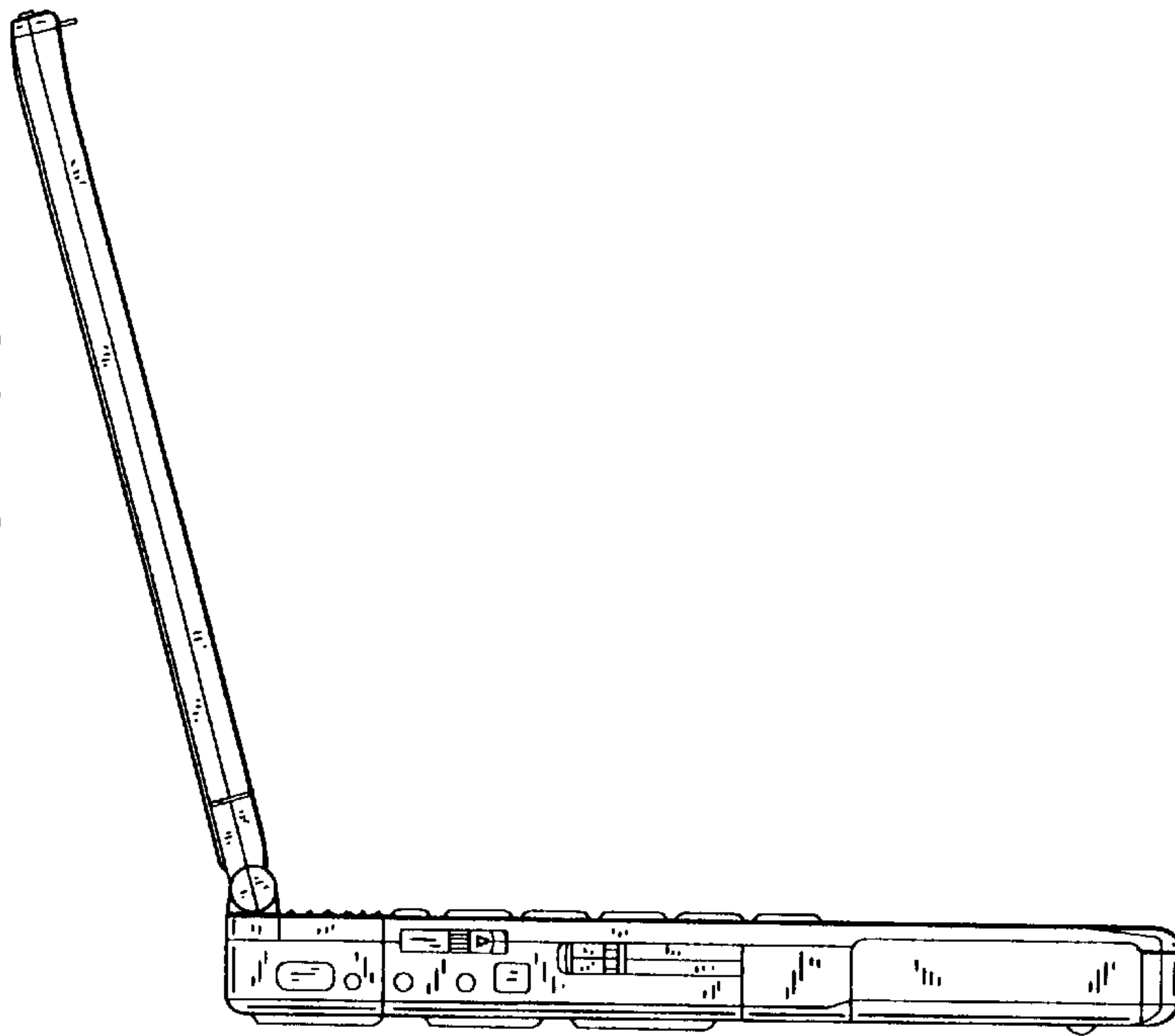


FIG. 10

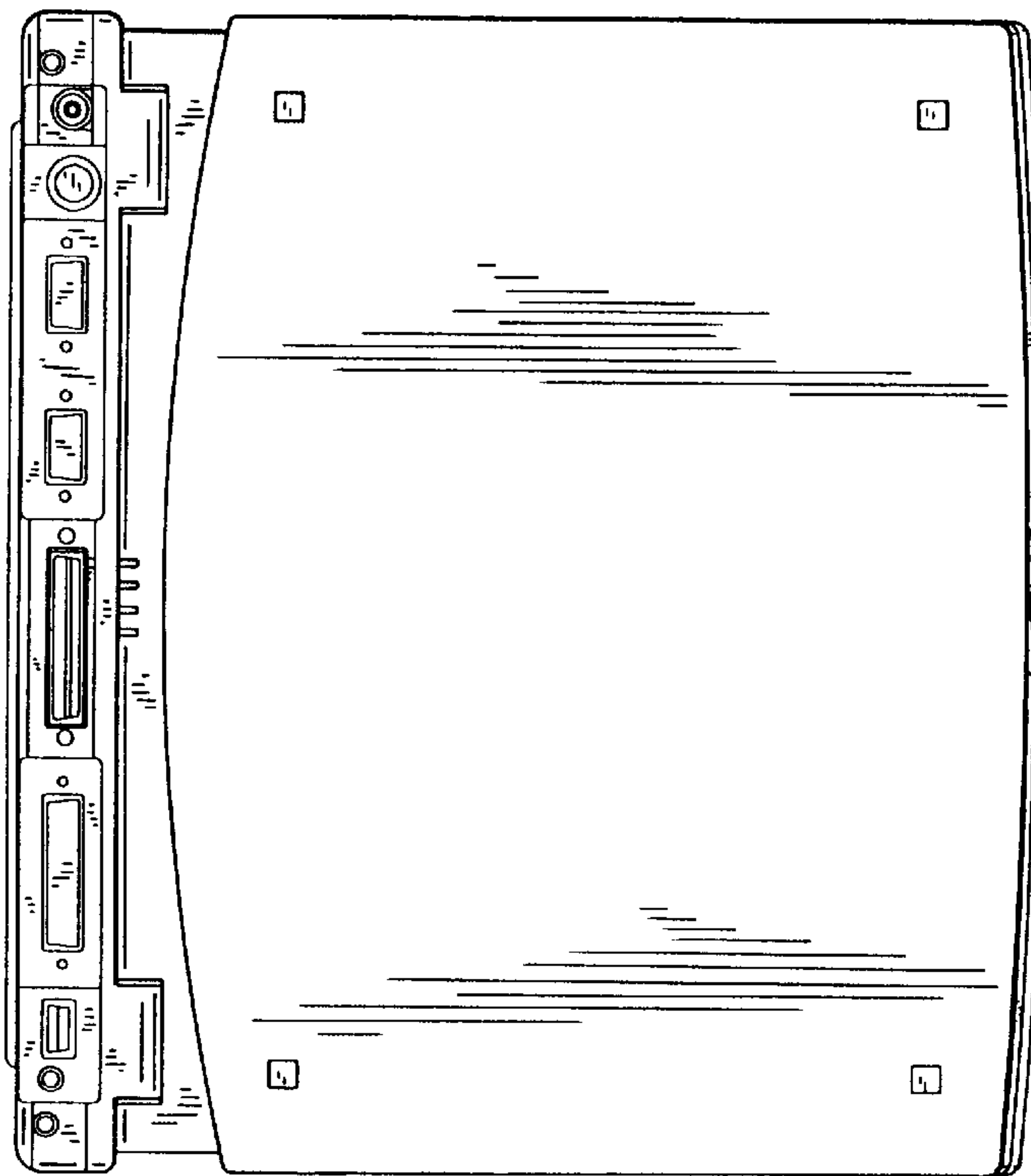




FIG. 12

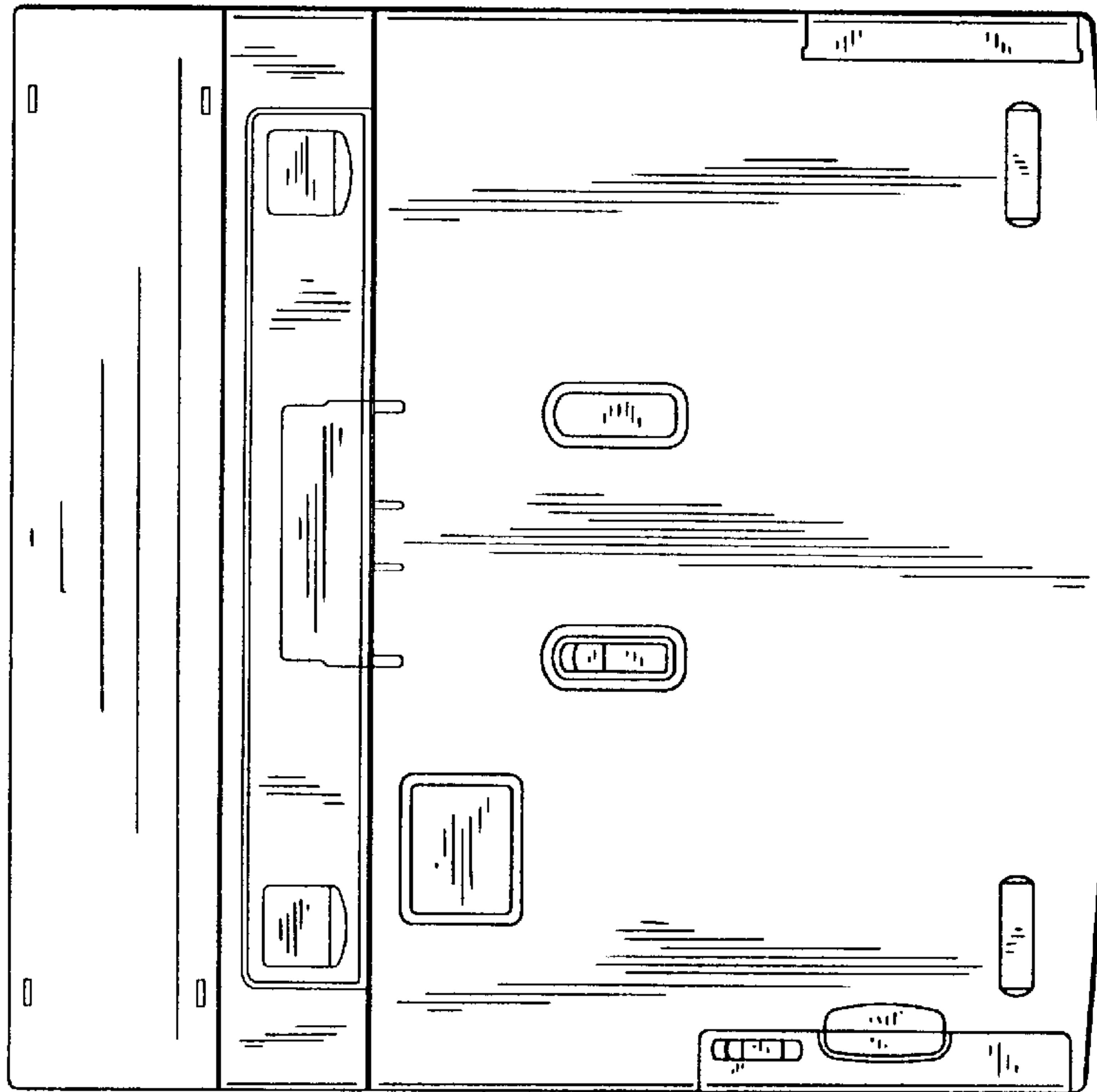


FIG. 13

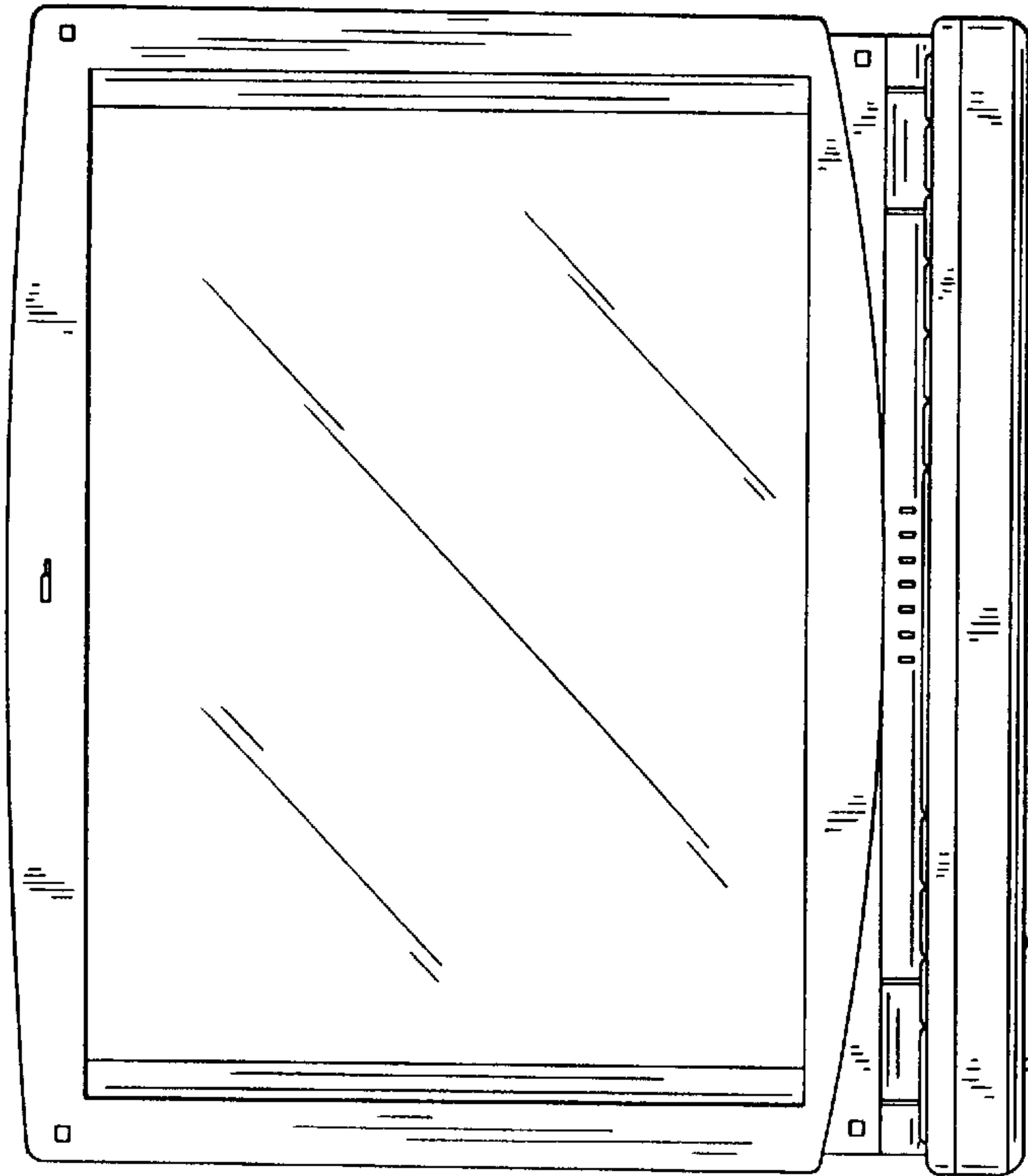


FIG. 14

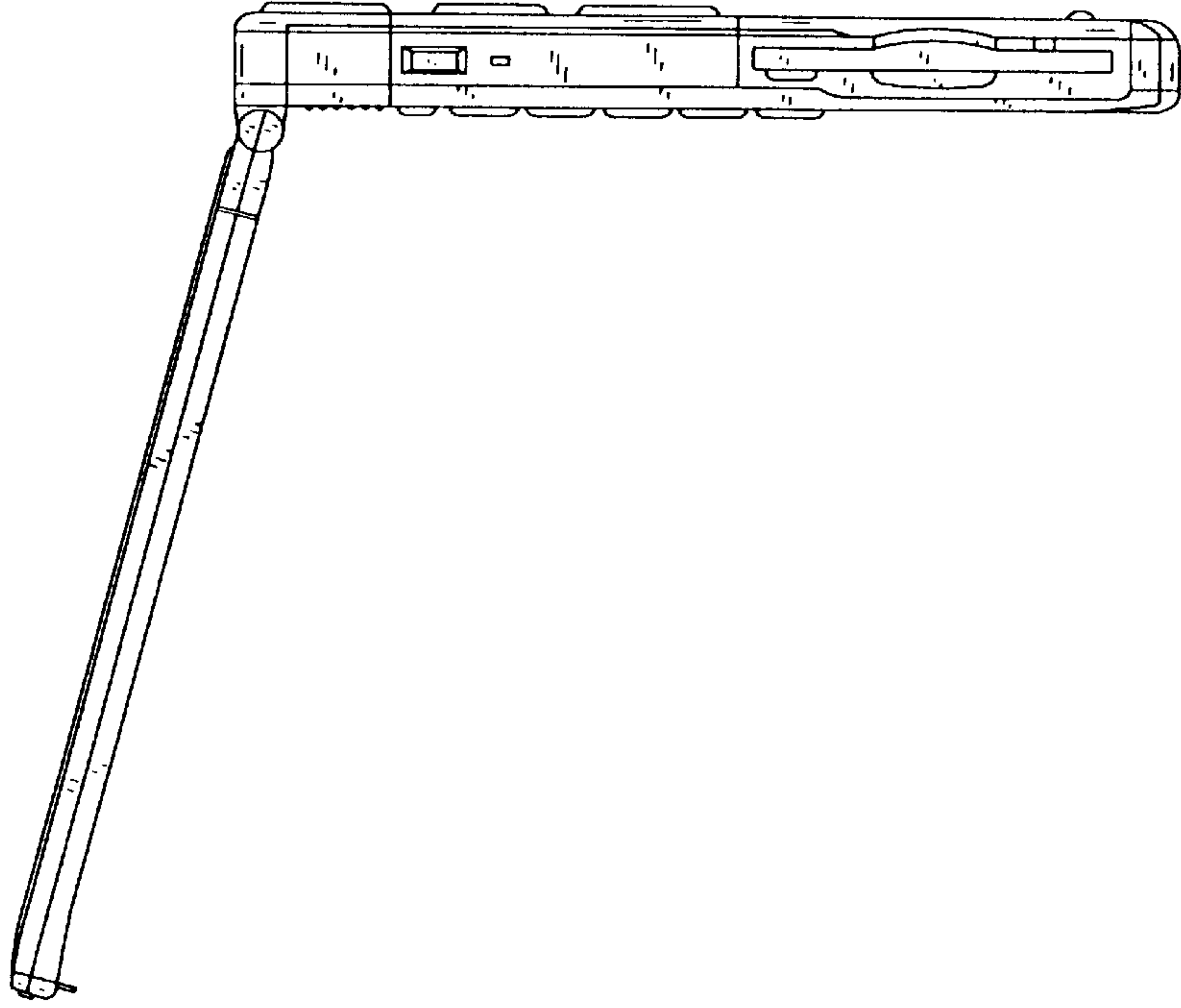


FIG. 15

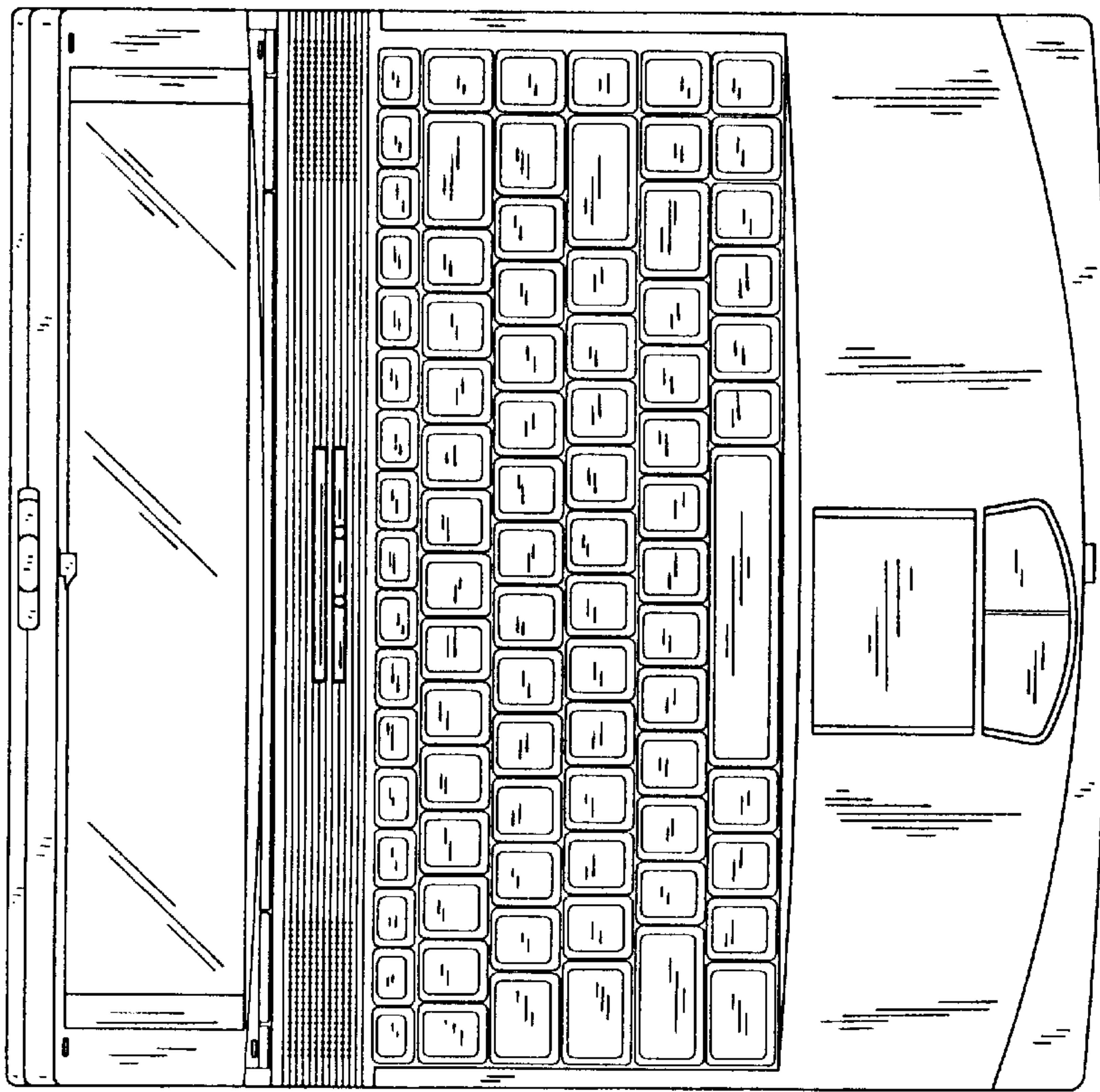


FIG. 16

