



US00D431558S

# United States Patent [19]

[11] Patent Number: **Des. 431,558**

Winstead et al.

[45] Date of Patent: **\*\* Oct. 3, 2000**

[54] **FLIP AND BLADE ANTENNA FOR RADIOTELEPHONE**

[75] Inventors: **Russell Evans Winstead, Raleigh; James D. MacDonald, Jr., Apex; Nils Rydbeck, Cary, all of N.C.**

[73] Assignee: **Ericsson Inc., Research Triangle Park, N.C.**

[\*\*] Term: **14 Years**

[21] Appl. No.: **29/101,240**

[22] Filed: **Mar. 1, 1999**

[51] **LOC (7) Cl. .... 14-03**

[52] **U.S. Cl. .... D14/248; D14/230**

[58] **Field of Search .... D14/137, 138, D14/147-148, 247-248, 250, 240, 140-142, 230-238; 379/433, 434, 419, 420, 428, 440; 455/550-575, 90; 343/702**

[56] **References Cited**

**U.S. PATENT DOCUMENTS**

|            |         |                            |           |
|------------|---------|----------------------------|-----------|
| D. 318,050 | 7/1991  | Elbaz et al. ....          | D14/138   |
| D. 347,221 | 5/1994  | Siddoway .....             | D14/138   |
| D. 352,503 | 11/1994 | Nagele .....               | D14/138   |
| D. 367,062 | 2/1996  | Tahmassebpur .....         | D14/230   |
| D. 379,356 | 5/1997  | Liu et al. ....            | D14/230   |
| D. 382,873 | 8/1997  | MacDonald, Jr. et al. .... | D14/138   |
| D. 398,611 | 9/1998  | Read .....                 | D14/230   |
| D. 407,716 | 4/1999  | Park .....                 | D14/138   |
| D. 421,017 | 2/2000  | Phipps .....               | D14/230   |
| D. 421,402 | 3/2000  | Solenthaler .....          | D14/230 X |
| 4,471,493  | 9/1984  | Schober .....              | 455/562   |
| 4,992,799  | 2/1991  | Garay .....                | 343/702   |
| 5,260,998  | 11/1993 | Takagi .....               | 379/433   |
| 5,337,061  | 8/1994  | Pye et al. ....            | 343/702   |
| 5,507,013  | 4/1996  | Weadon et al. ....         | 455/347   |
| 5,651,063  | 7/1997  | Ji et al. ....             | 379/433   |
| 5,779,496  | 7/1998  | Bolinger et al. ....       | 439/377   |

|           |         |                            |           |
|-----------|---------|----------------------------|-----------|
| 5,828,343 | 10/1998 | MacDonald, Jr. et al. .... | 343/702   |
| 5,838,789 | 11/1998 | Mendolia .....             | 379/433   |
| 5,936,587 | 8/1999  | Gudilev et al. ....        | 343/702 X |
| 5,978,655 | 11/1999 | Ohura et al. ....          | 455/575 X |
| 5,995,052 | 11/1999 | Sadler et al. ....         | 343/702   |
| 6,031,503 | 2/2000  | Preiss, II et al. ....     | 343/702 X |
| 6,043,794 | 3/2000  | Faulkner et al. ....       | 343/702 X |

*Primary Examiner*—Jeffrey Asch  
*Attorney, Agent, or Firm*—Myers Bigel Sibley & Sajovec, P.A.

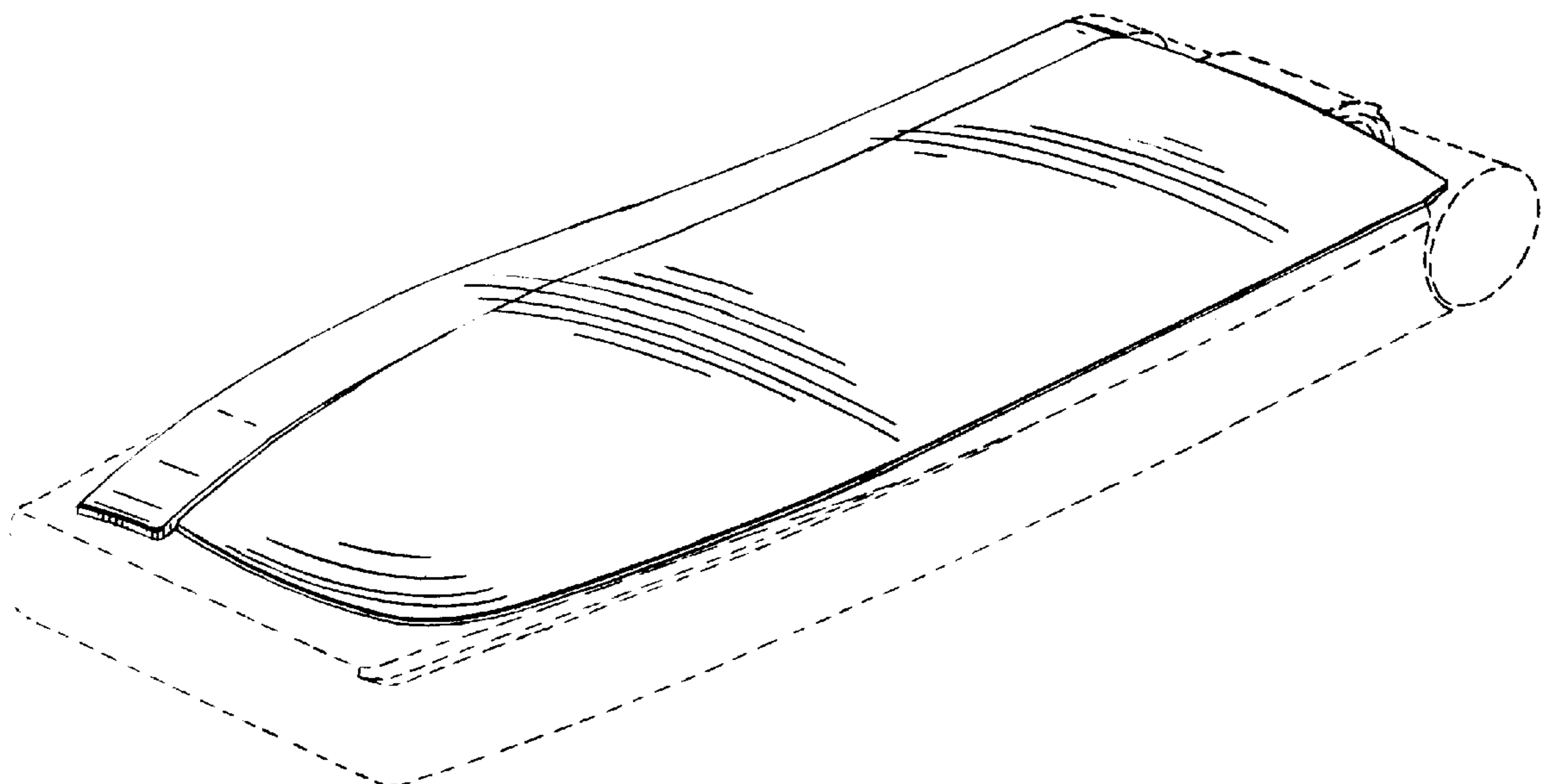
[57] **CLAIM**

The ornamental design for a flip and blade antenna for radiotelephone, as shown and described.

**DESCRIPTION**

FIG. 1 is a perspective view of a flip and blade antenna showing our design in the environment of a radiotelephone; FIG. 2 is a side view thereof; FIG. 3 is a top view thereof; FIG. 4 is an opposing side view thereof; FIG. 5 is an end view thereof; FIG. 6 is an opposing end view thereof; FIG. 7 is a top view of the flip and blade antenna alternately positioned; FIG. 8 is a perspective view showing our design with the flip and blade antenna in an open position and on a reduced scale with respect to FIGS. 1-7; FIG. 9 is a side view thereof; FIG. 10 is a top view thereof; FIG. 11 is an opposing side view thereof; FIG. 12 is an end view thereof; FIG. 13 is an end view illustrating the blade antenna alternately positioned relative to the flip; and, FIG. 14 is a top view of the blade antenna in FIG. 13. The broken lines shown herein are for illustrative purposes only and form no part of the claimed design.

**1 Claim, 4 Drawing Sheets**



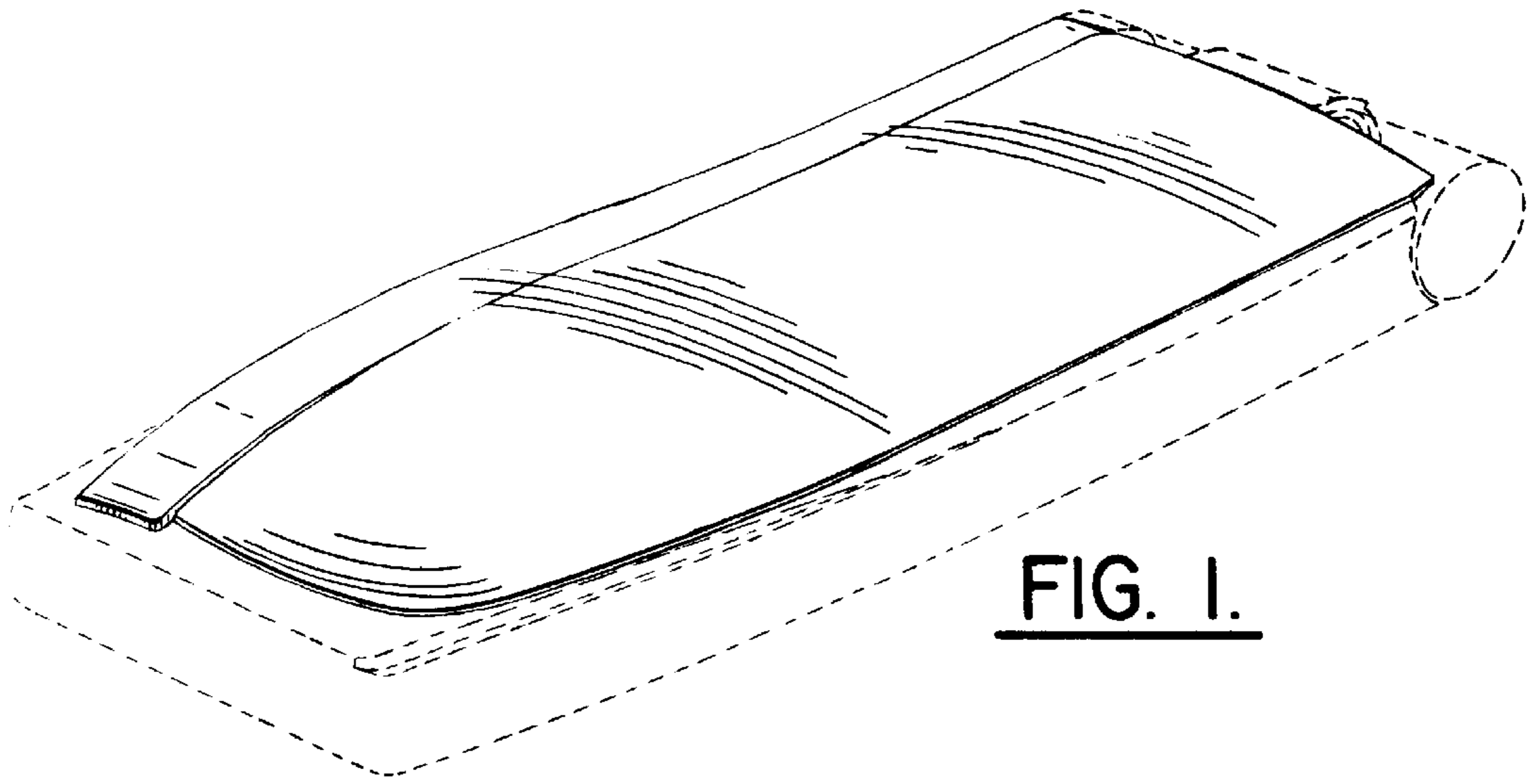


FIG. 1.

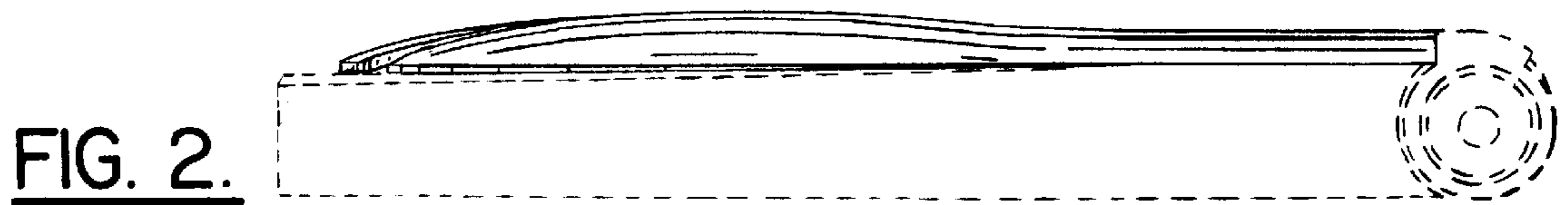


FIG. 2.

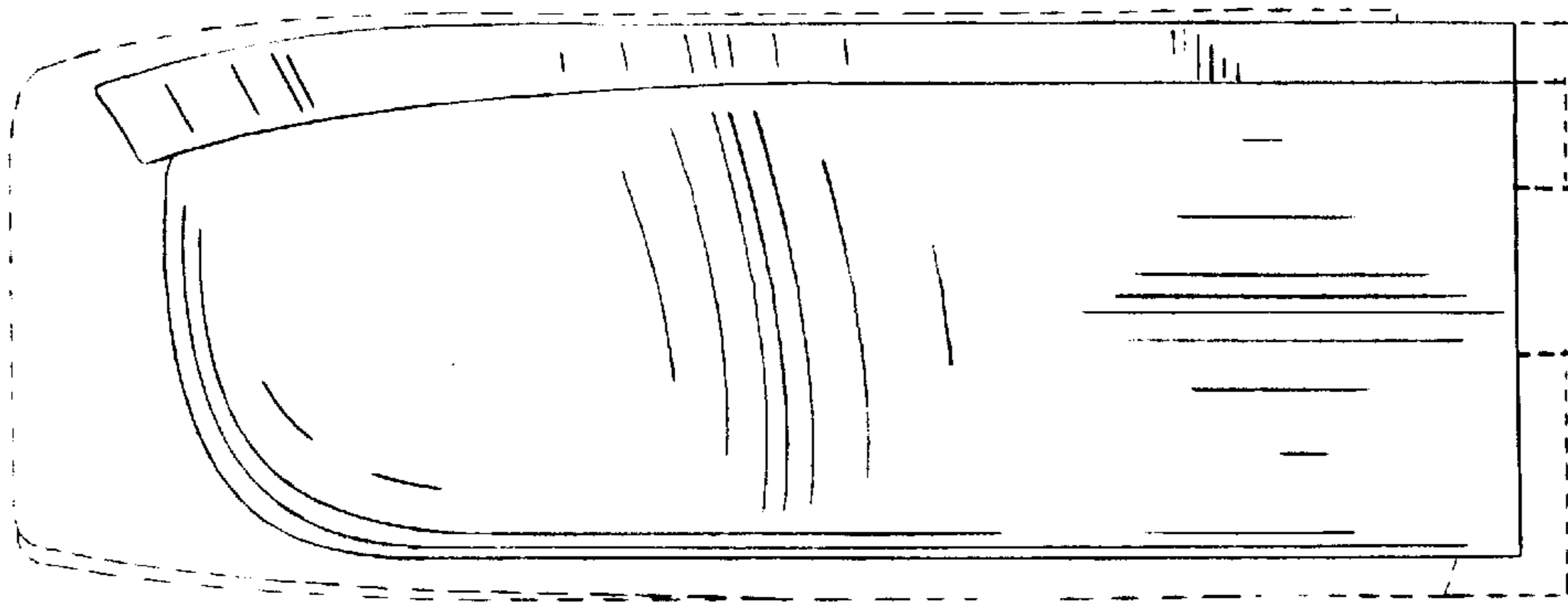


FIG. 3.

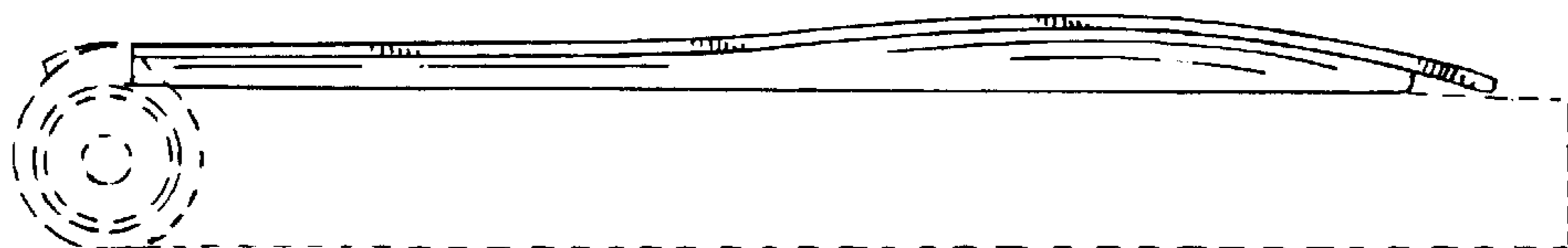


FIG. 4.

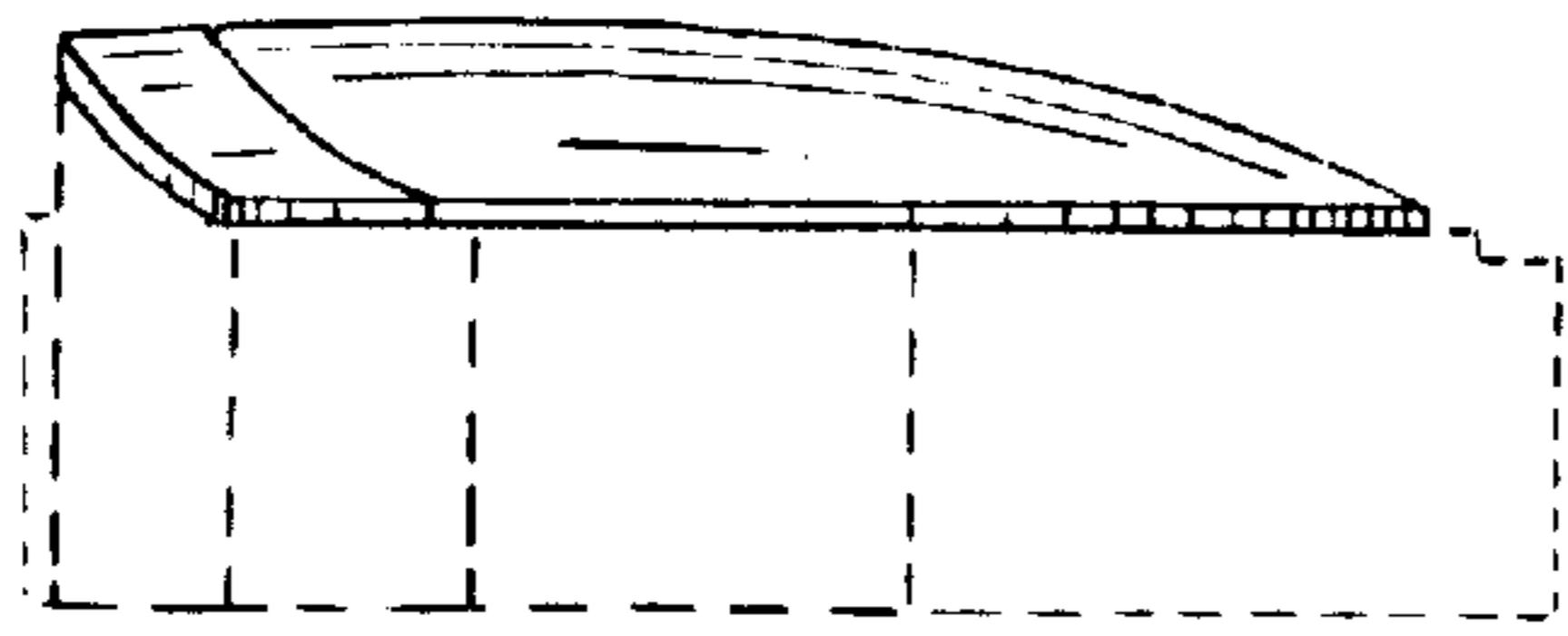


FIG. 5.

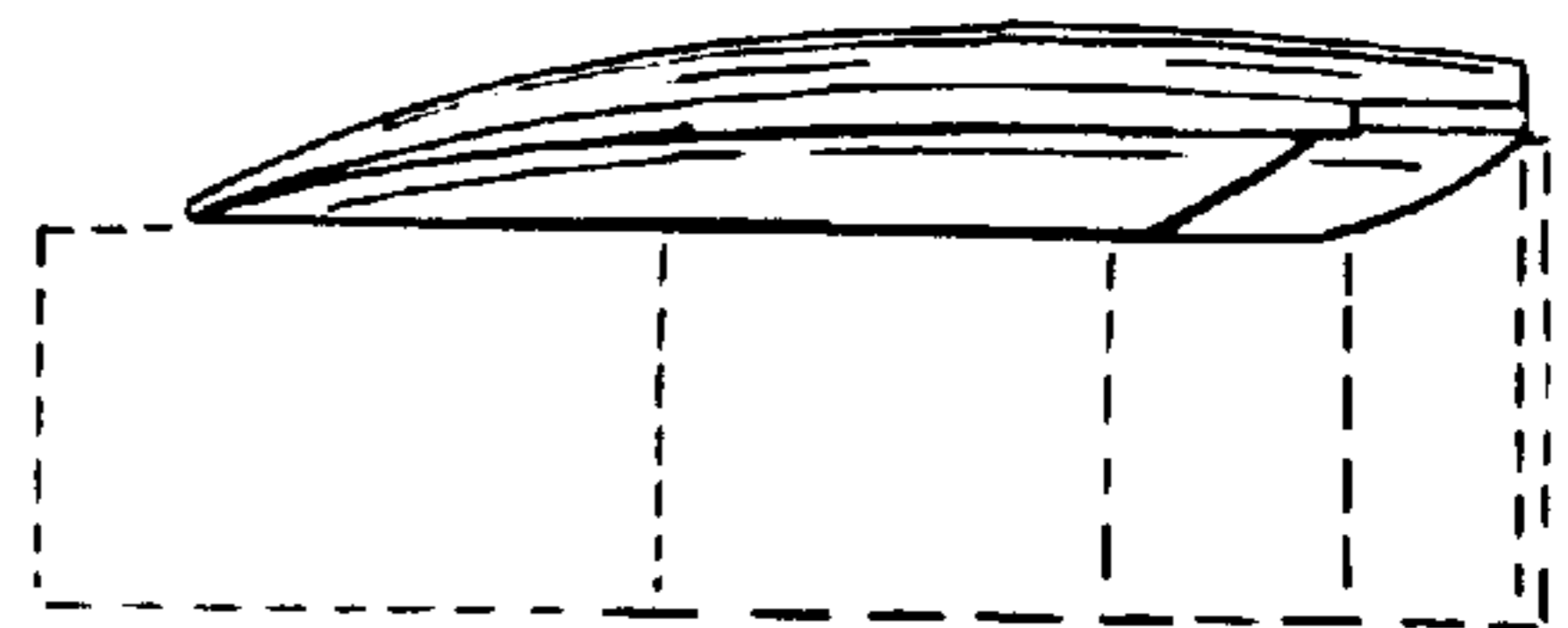


FIG. 6.

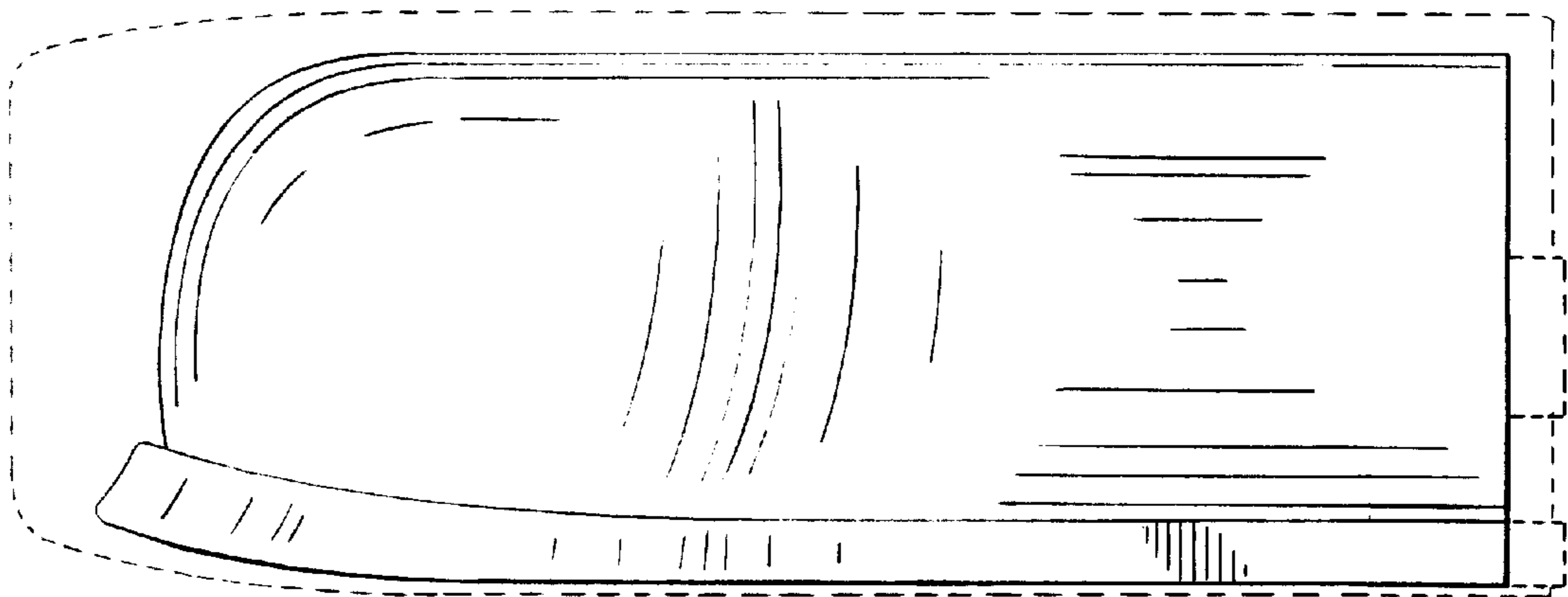
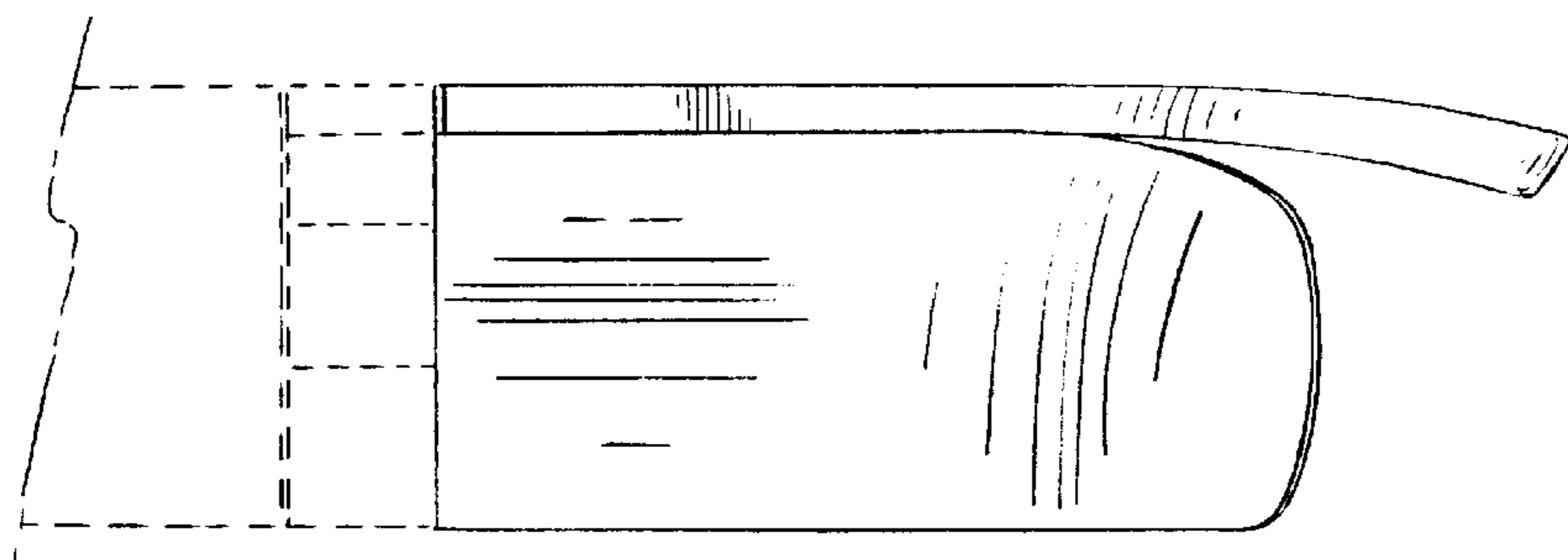
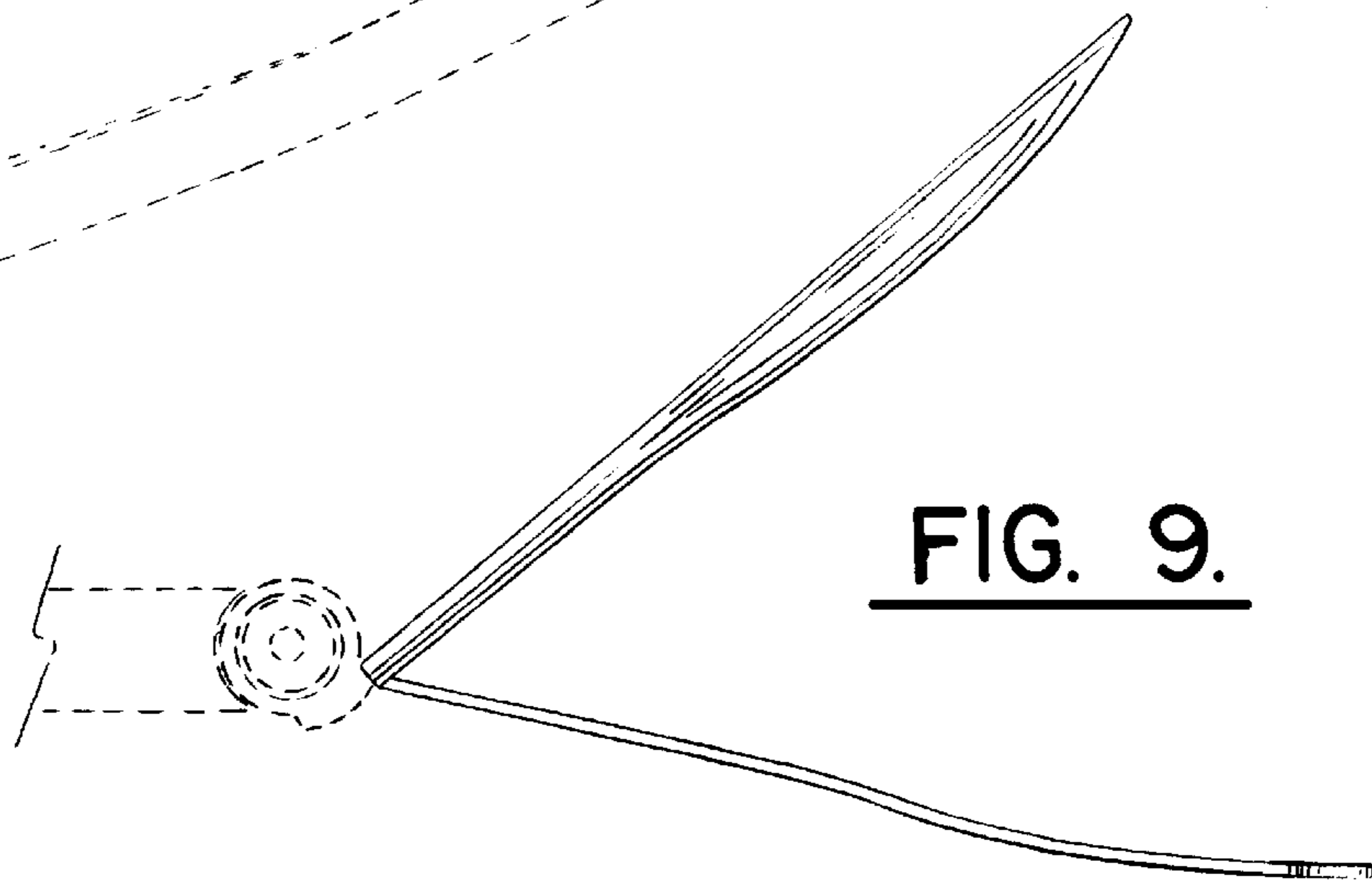
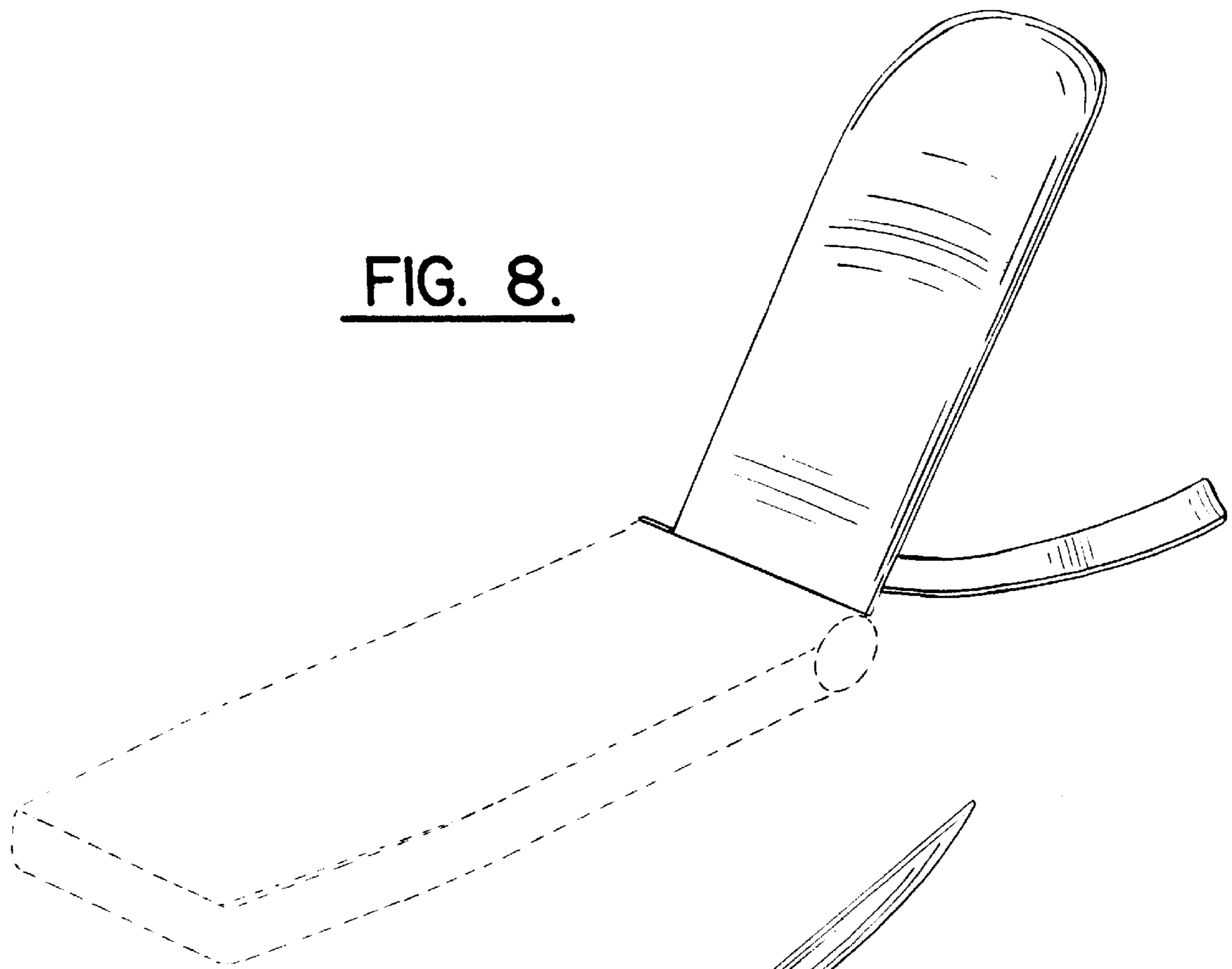


FIG. 7.



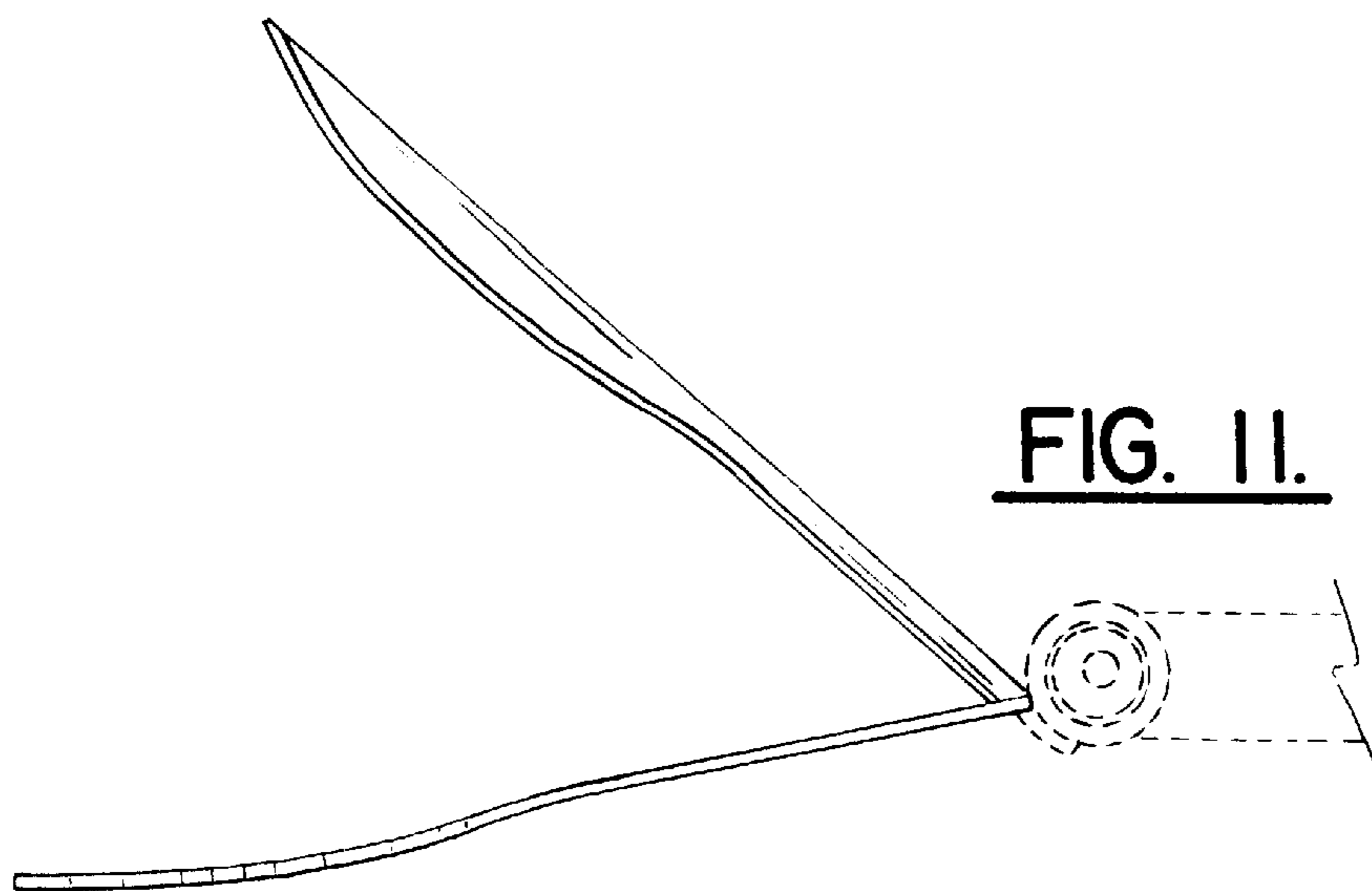


FIG. 11.

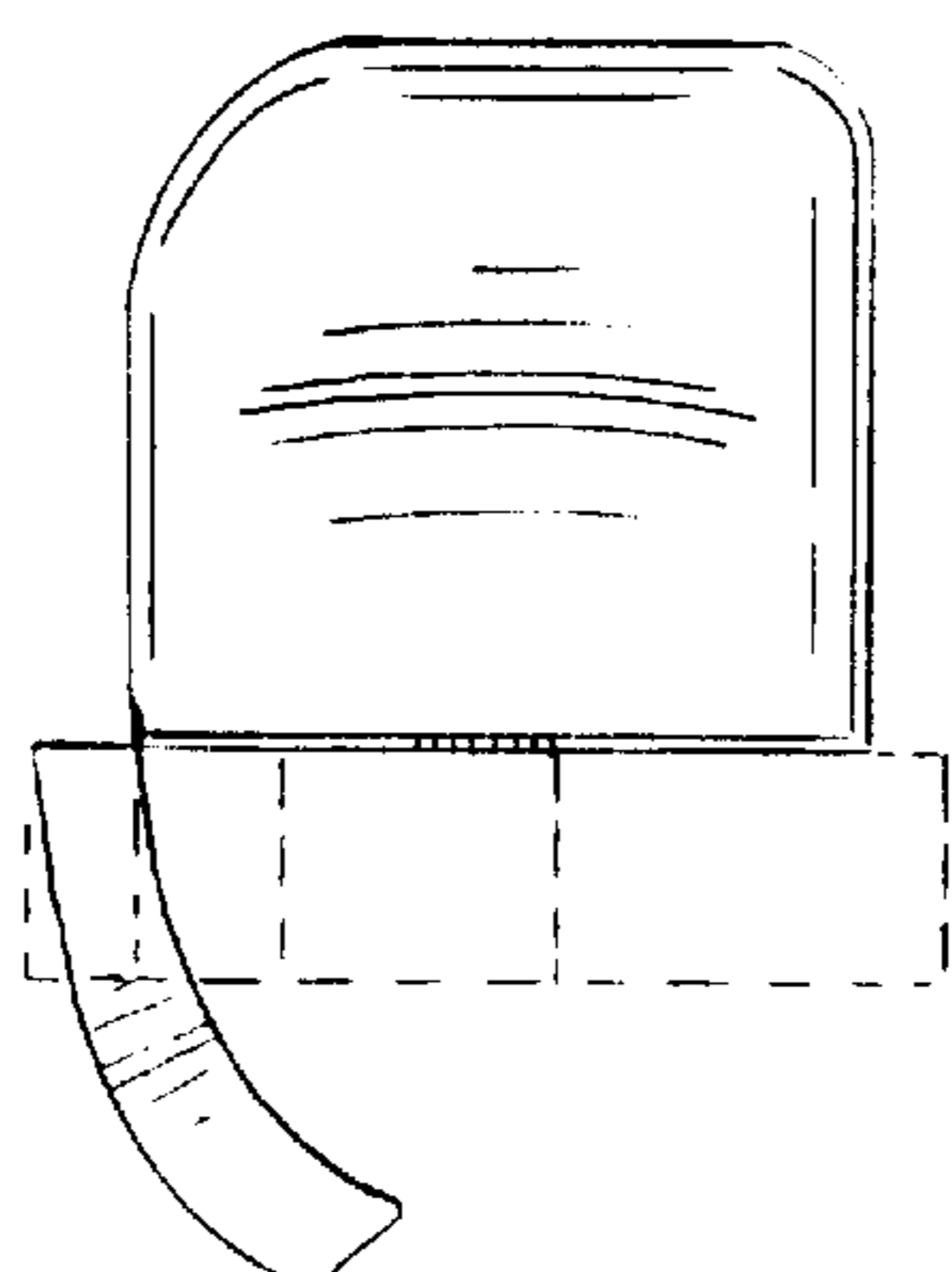


FIG. 12.

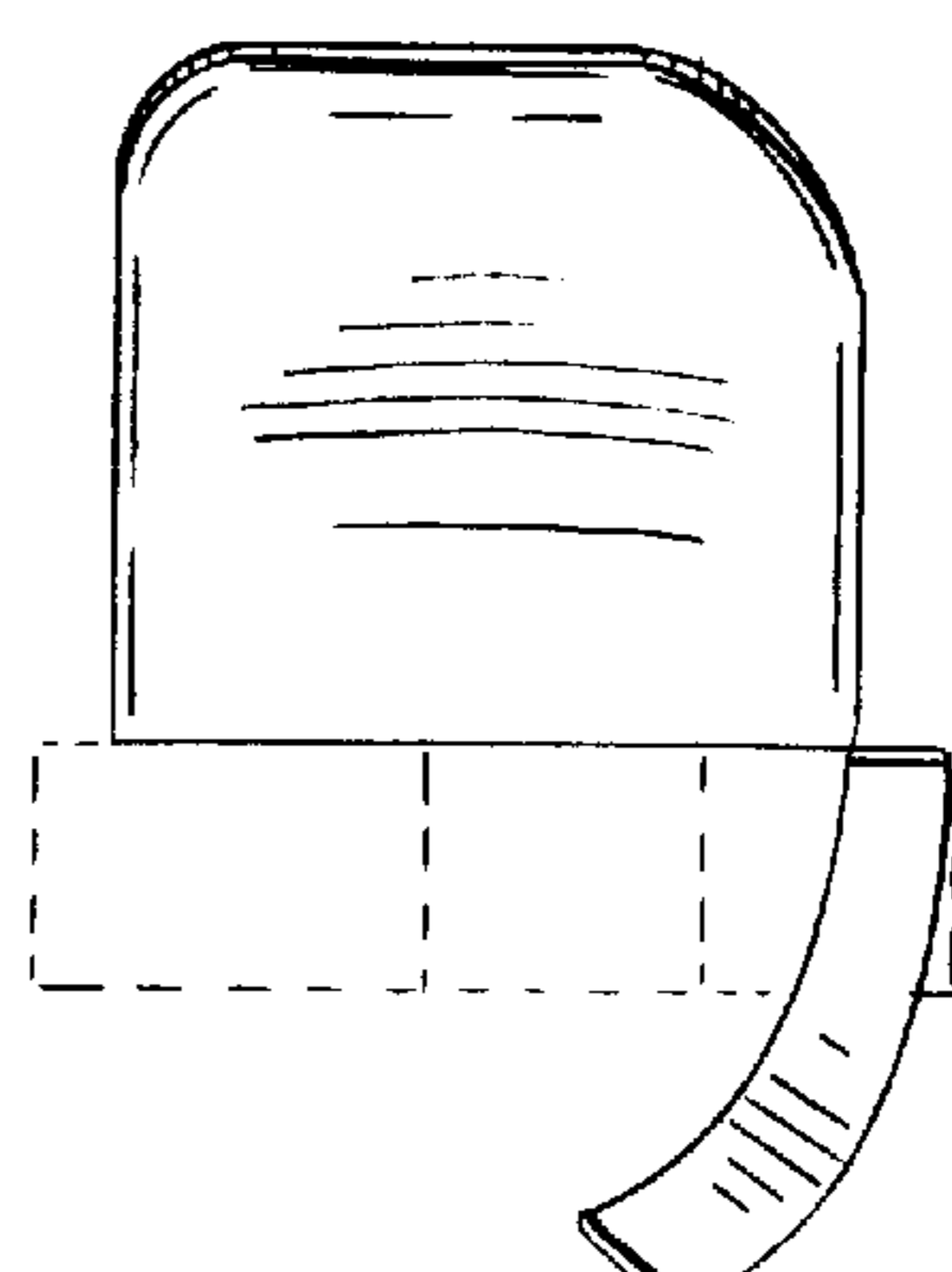


FIG. 13.

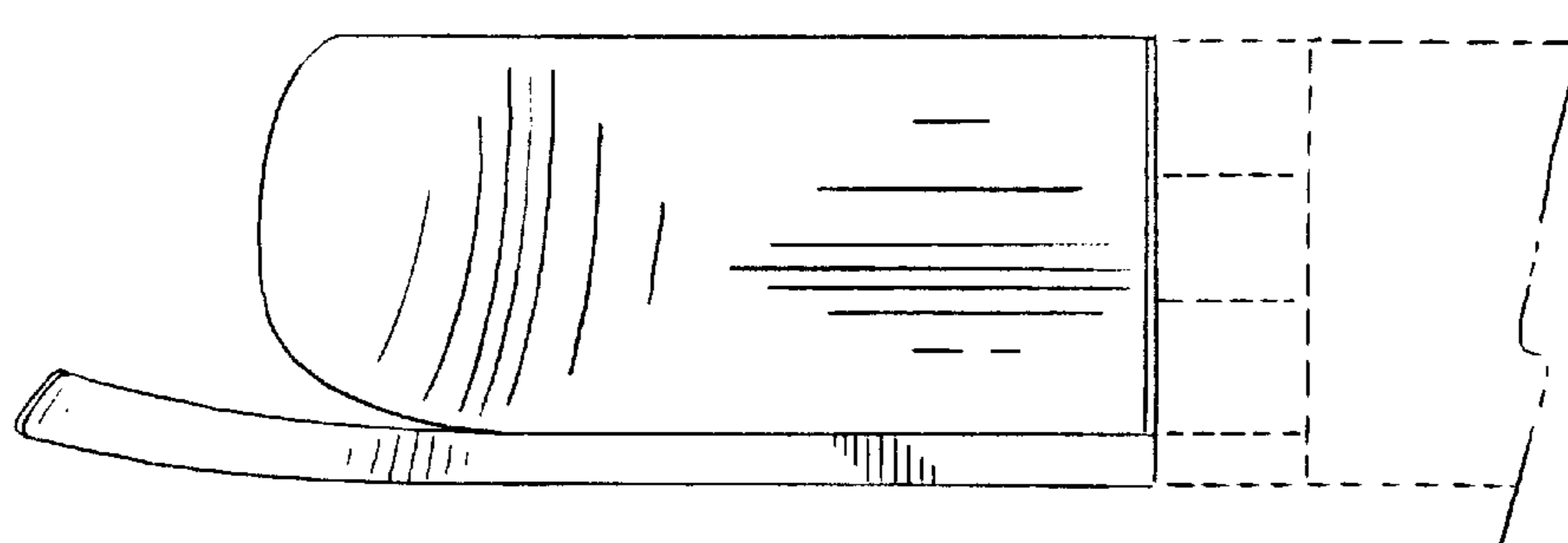


FIG. 14.