



US00D431557S

# United States Patent [19]

Lutz, Jr. et al.

[11] Patent Number: **Des. 431,557**

[45] Date of Patent: **\*\* Oct. 3, 2000**

[54] **ADSL MODEM CASE ASSEMBLY**

[75] Inventors: **Ronald D. Lutz, Jr.**, Round Rock;  
**Robert Augustus Welch**, Austin, both  
of Tex.

[73] Assignee: **Cisco Technology, Inc.**, San Jose, Calif.

[\*\*] Term: **14 Years**

[21] Appl. No.: **29/089,206**

[22] Filed: **Jun. 10, 1998**

[51] **LOC (7) Cl.** ..... **14-03**

[52] **U.S. Cl.** ..... **D14/242; D14/352**

[58] **Field of Search** ..... D14/140, 142,  
D14/102, 242, 240, 107, 348, 349, 350,  
351, 352, 353, 354, 355; 375/220, 223,  
222, 225; 455/550-575, 450, 421, 90; 379/419,  
420, 428, 440, 399, 412, 429; D13/162,  
164, 184

### [56] **References Cited**

#### **U.S. PATENT DOCUMENTS**

D. 305,753	1/1990	Hoshino	.....	D14/102
D. 314,174	1/1991	Wong	.....	D13/184 X
D. 314,191	1/1991	Bina	.....	D14/102
D. 317,301	6/1991	Ivester	.....	D14/102
D. 318,874	8/1991	Pushelberg et al.	.....	D14/240
D. 321,864	11/1991	Tedham	.....	D14/100

D. 339,115	9/1993	Eilertsen	.....	D14/107
D. 365,348	12/1995	Card et al.	.....	D14/240
D. 365,808	1/1996	Alden et al.	.....	D14/107
D. 396,043	7/1998	Liao	.....	D14/242
D. 401,570	11/1998	Lee	.....	D14/102
D. 406,849	3/1999	Tanaka	.....	D14/242
D. 408,019	4/1999	Lee	.....	D14/100
D. 408,373	4/1999	Johnson	.....	D14/100
D. 413,894	9/1999	Matthews et al.	.....	D14/240
D. 414,188	9/1999	Matthews et al.	.....	D14/240
D. 415,123	10/1999	Murphy	.....	D14/102
D. 417,223	11/1999	Groves et al.	.....	D14/242
D. 417,453	12/1999	Du	.....	D13/184 X

*Primary Examiner*—Jeffrey Asch  
*Attorney, Agent, or Firm*—Baker Botts L.L.P.

### [57] **CLAIM**

The ornamental design for an ADSL modem case assembly, as shown and described.

### **DESCRIPTION**

FIG. 1 is a front, top, and side perspective view showing our new design;  
FIG. 2 is a front plan view thereof;  
FIG. 3 is a side plan view thereof;  
FIG. 4 is a back plan view thereof;  
FIG. 5 is a top plan view thereof;  
FIG. 6 is a bottom plan view thereof; and,  
FIG. 7 is a back, top, and side perspective view thereof.

**1 Claim, 3 Drawing Sheets**

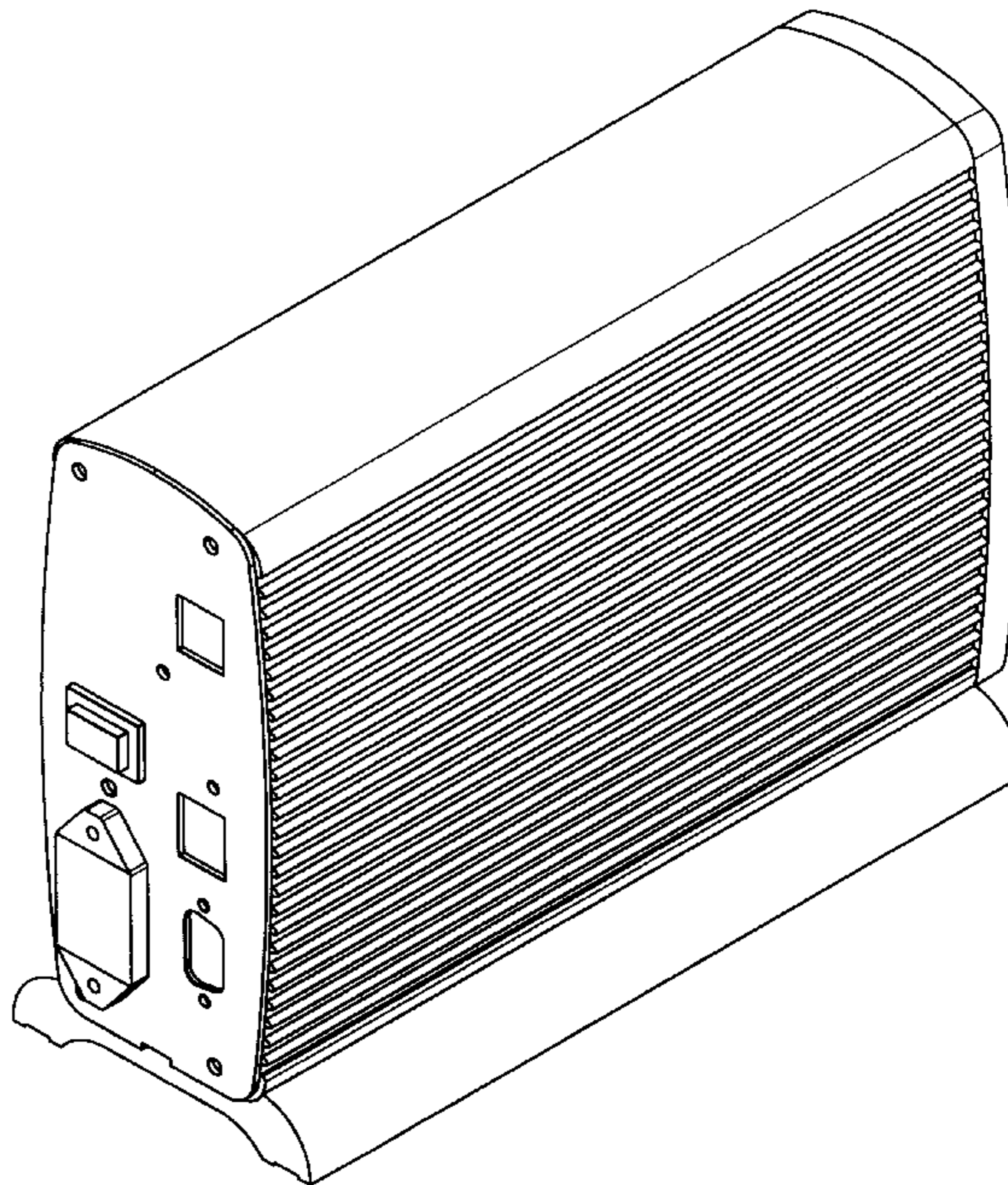
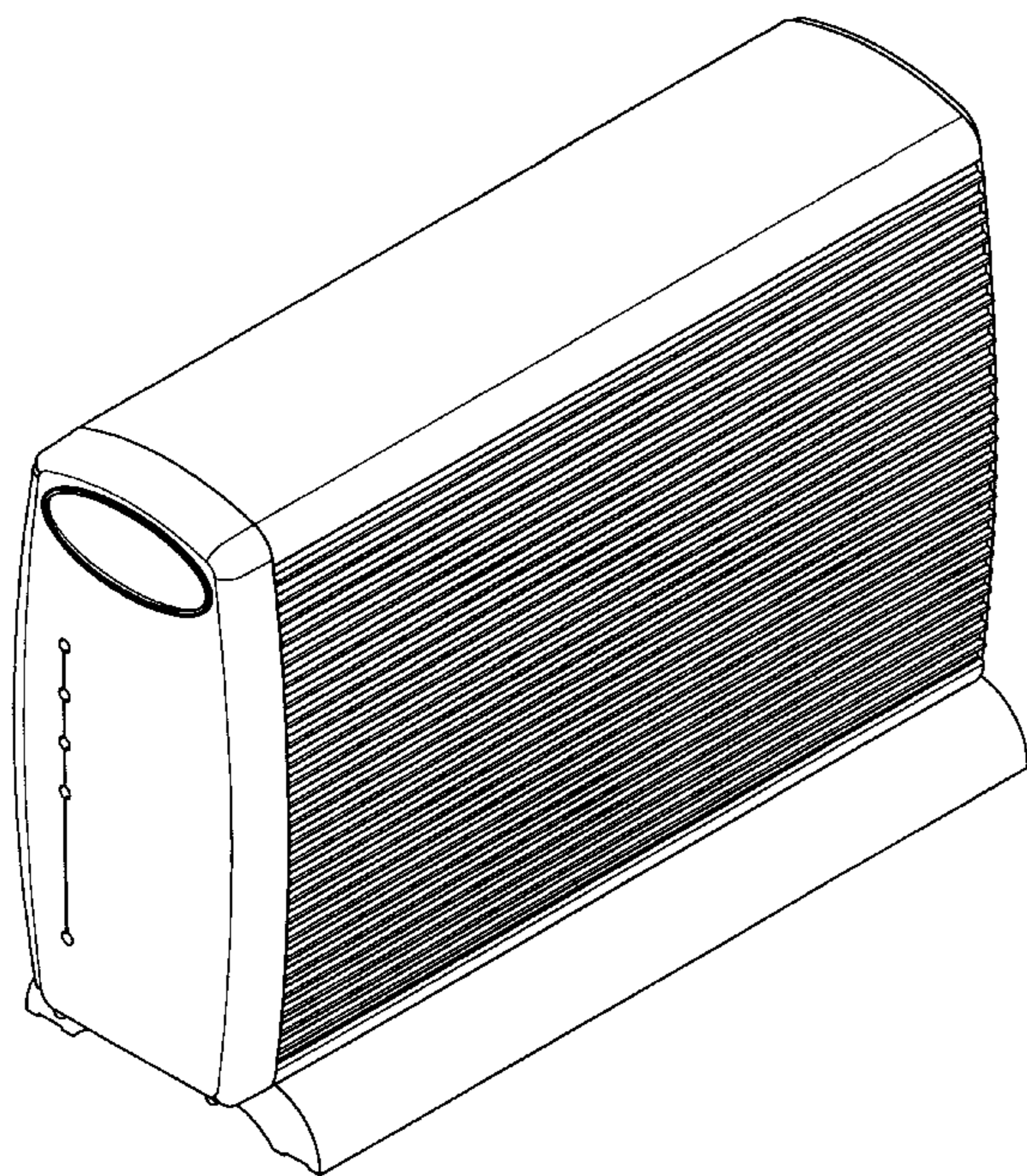




FIG. 1

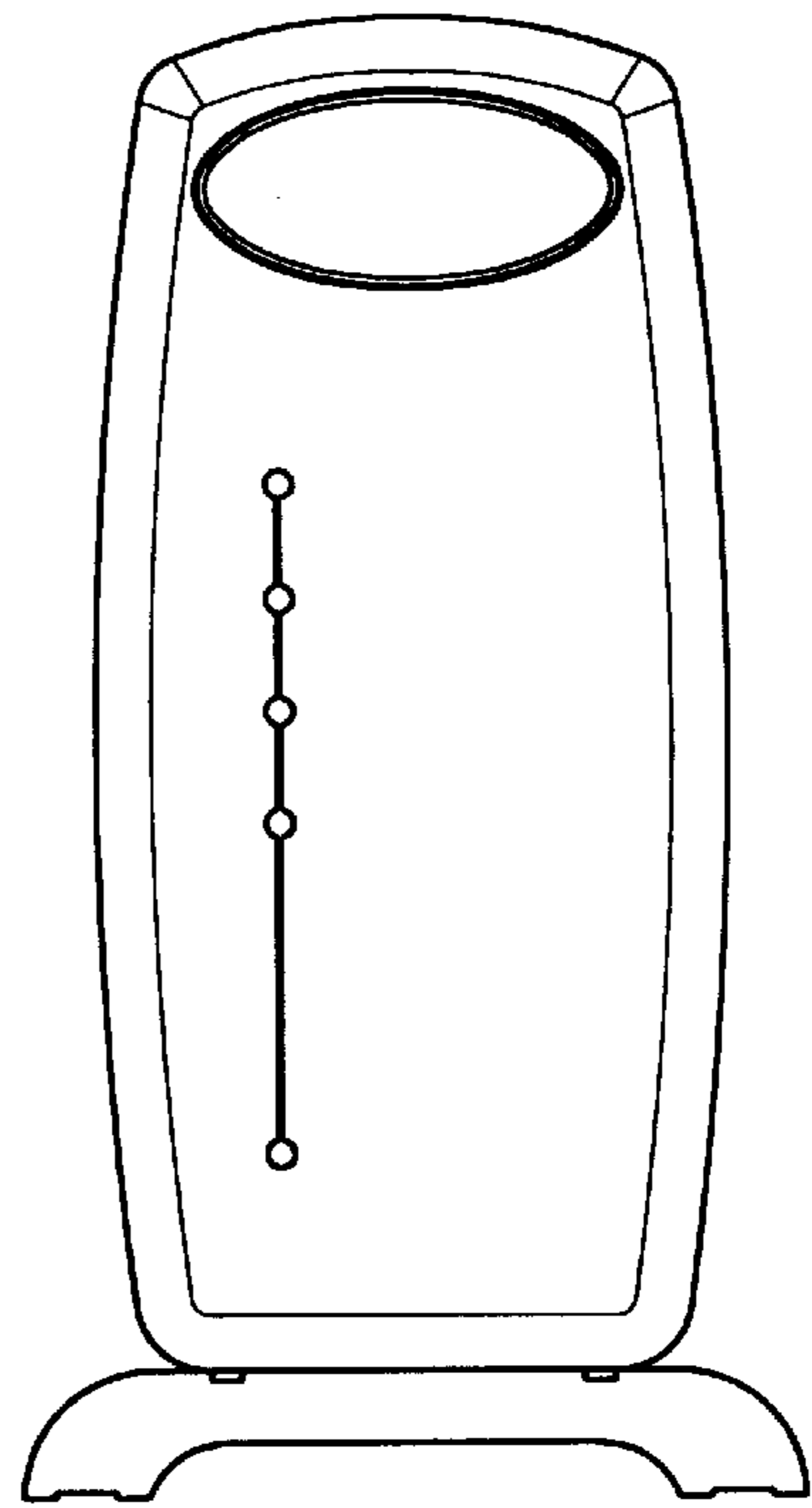
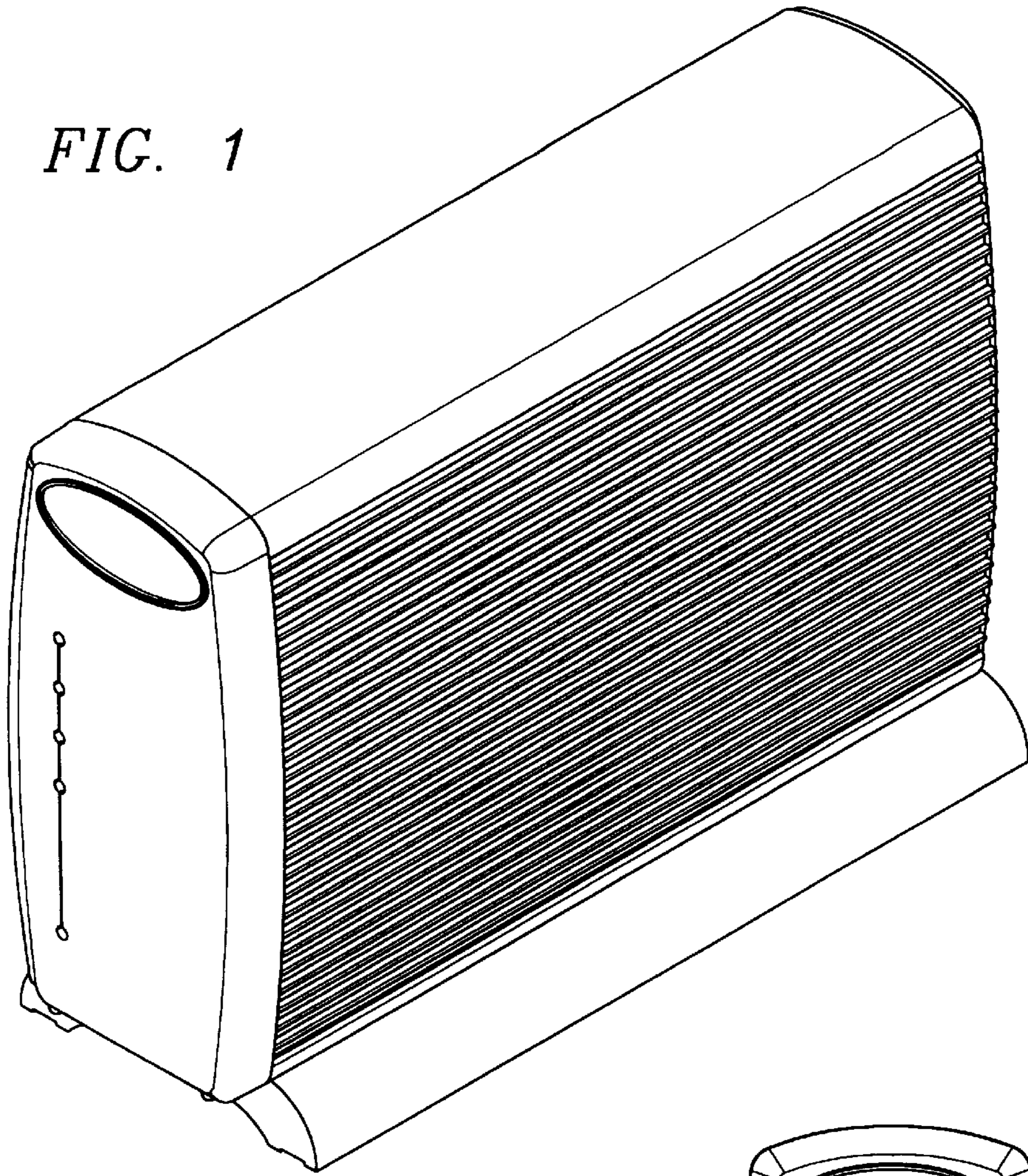


FIG. 2

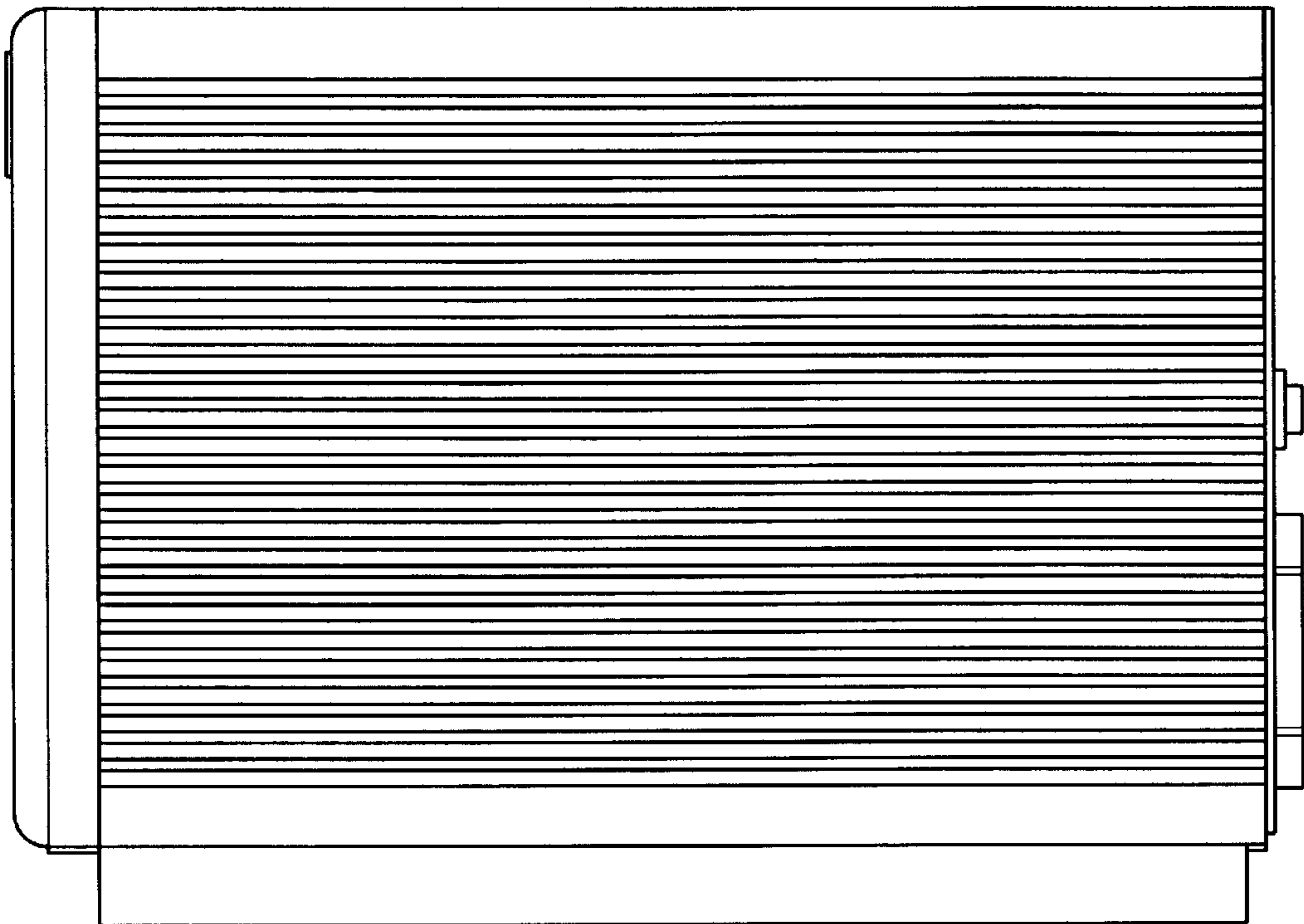


FIG. 3

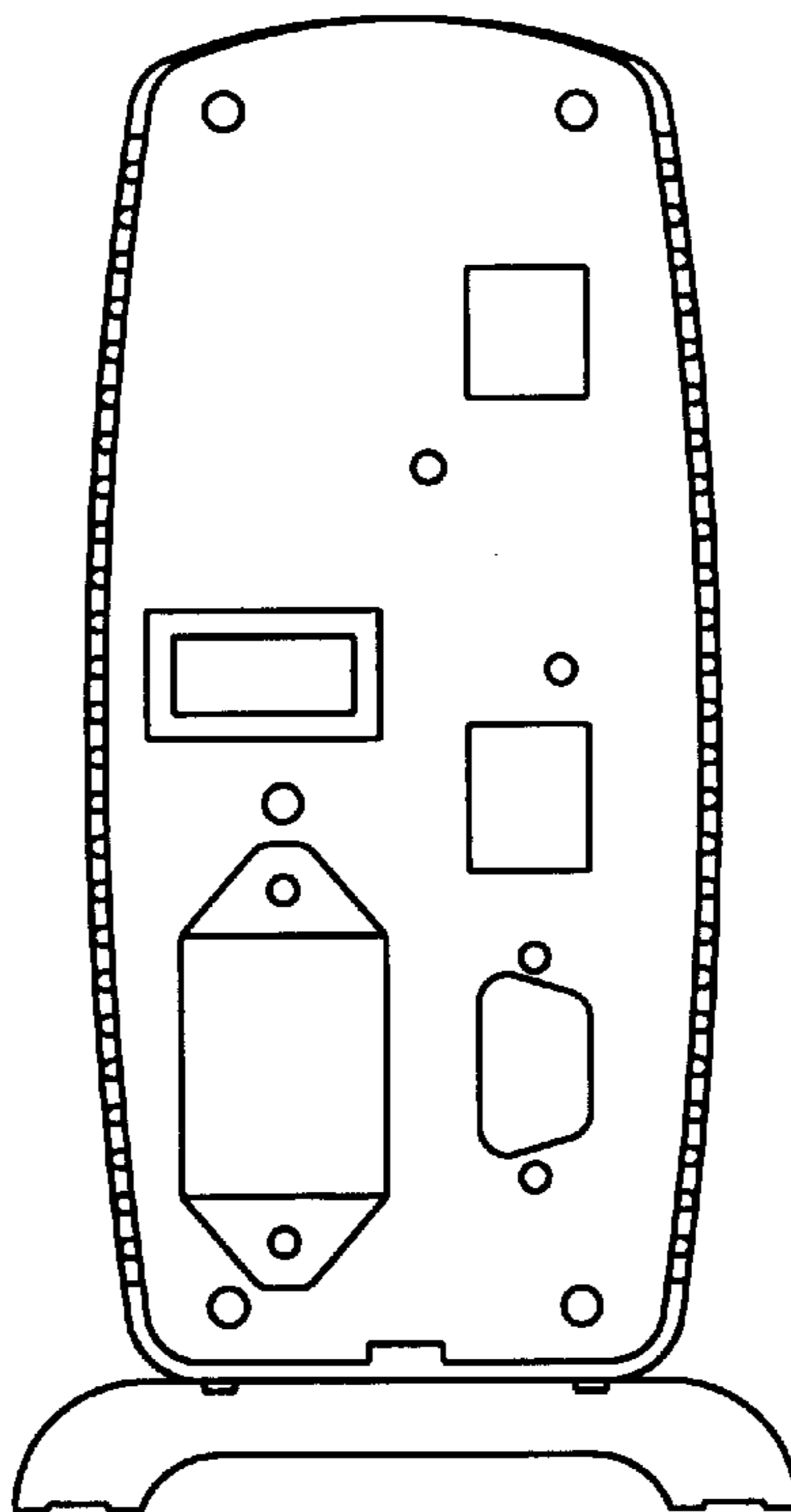


FIG. 4

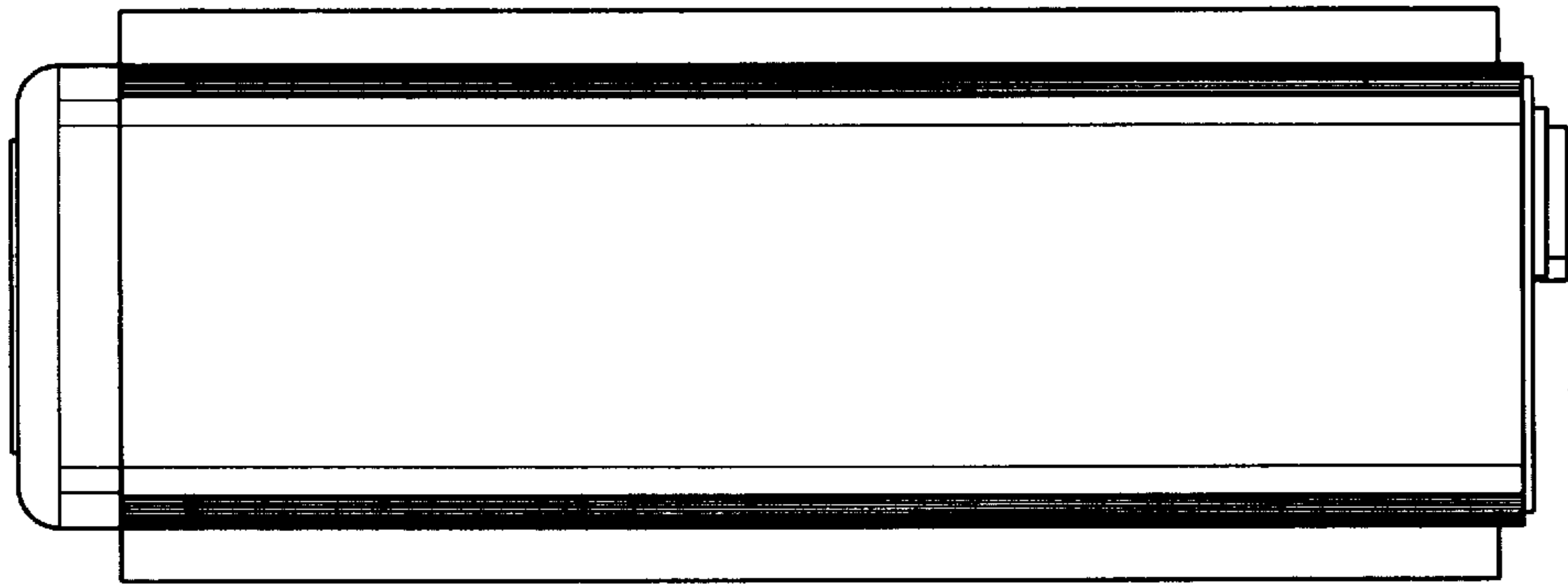


FIG. 5

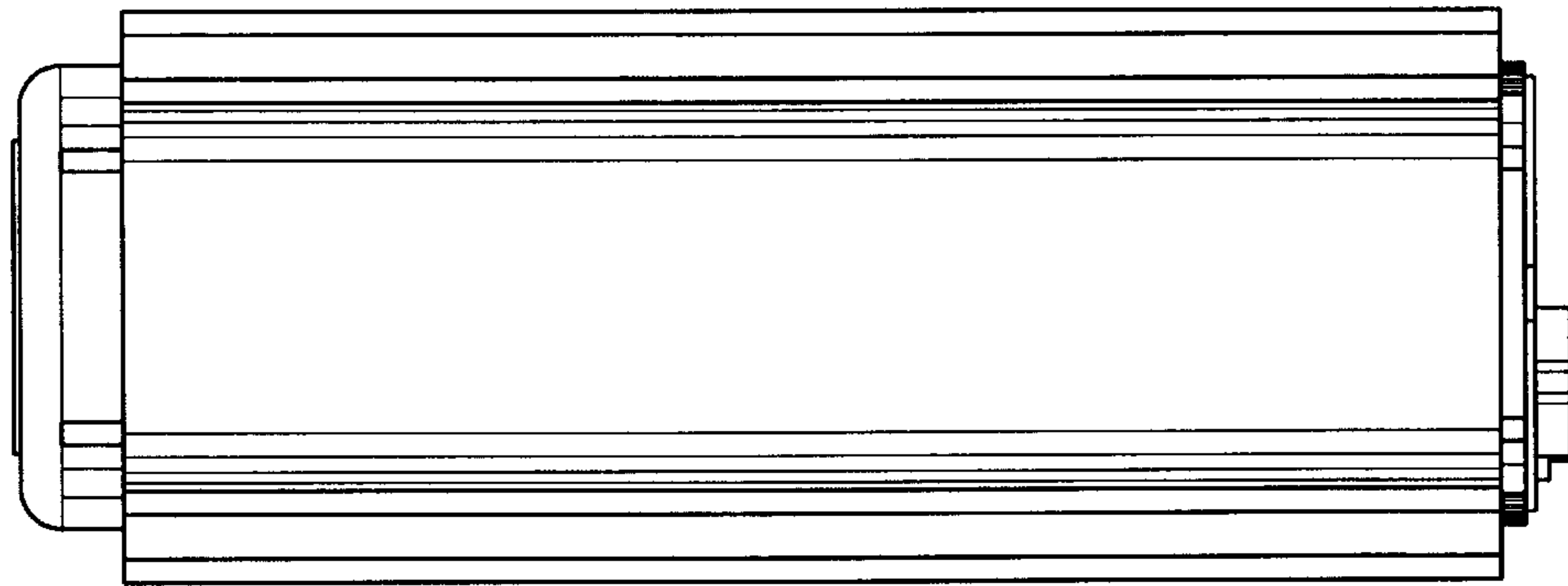


FIG. 6

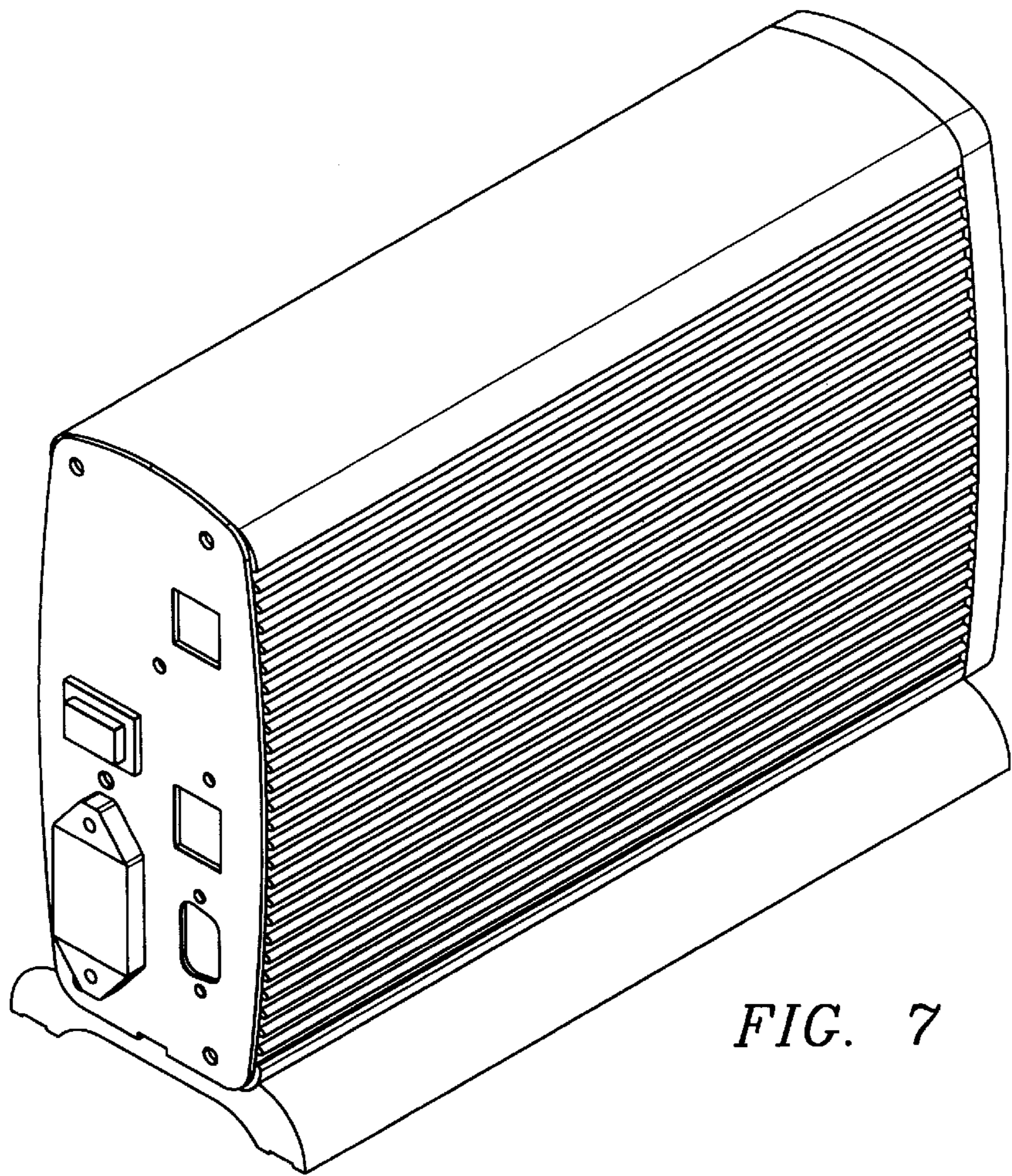


FIG. 7