



US00D431555S

United States Patent [19]

Cronin et al.

[11] Patent Number: Des. 431,555

[45] Date of Patent: ** Oct. 3, 2000

[54] HOUSING FOR ANTENNA FEED HORN AND TRANSMIT ELECTRONICS

5,552,797 9/1996 Cook 343/786
5,841,404 11/1998 Yen 343/786

[75] Inventors: Dennis L Cronin; Scott J Cook, both of Garner; Peter L Gardner, Apex; Richard Derrenbacher, Wake Forest, all of N.C.

Primary Examiner—Louis S. Zarfes
Attorney, Agent, or Firm—Darby & Darby

[73] Assignee: Channel Master LLC, Smithfield, N.C.

[57] CLAIM

[**] Term: 14 Years

The ornamental design for a housing for antenna feed horn and transmit electronics, as shown and described.

[21] Appl. No.: 29/112,729

DESCRIPTION

[22] Filed: Oct. 22, 1999

FIG. 1 is a side view of a housing for antenna feed horn and transmit electronics in an environment, showing our new design;
FIG. 2 is a perspective view of the housing according to our new design;
FIG. 3 is a side view thereof;
FIG. 4 is a front view thereof;
FIG. 5 is a back view thereof;
FIG. 6 is a top view thereof; and,
FIG. 7 is a bottom view thereof.

[51] LOC (7) Cl. 14-03

[52] U.S. Cl. D14/230

[58] Field of Search D14/230, 231;
343/772, 762, 786

[56] References Cited

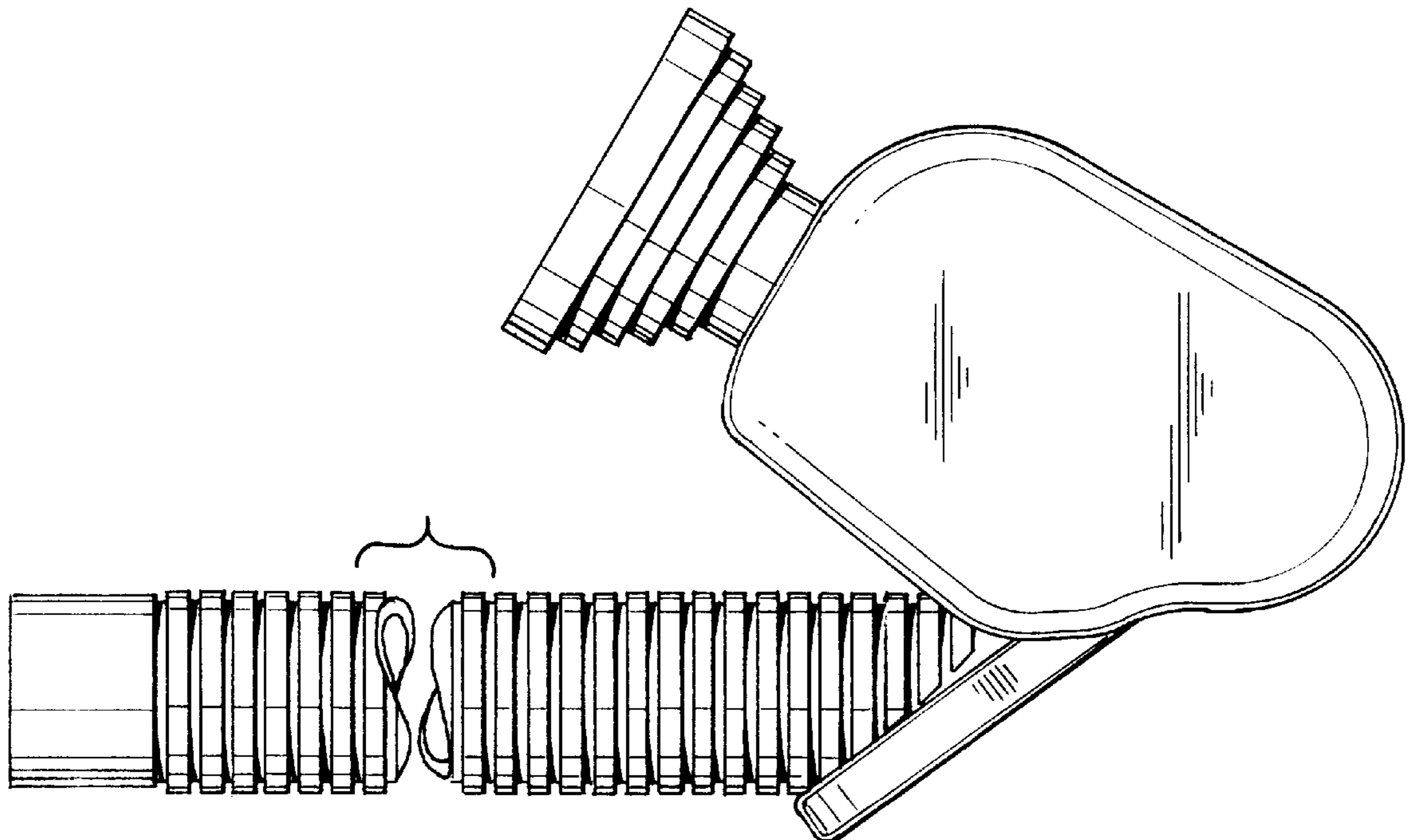
U.S. PATENT DOCUMENTS

D. 272,910	3/1984	Taggart et al.	D14/230
D. 306,593	3/1990	Ono et al.	D14/931
D. 356,795	3/1995	Schultheiss	D14/231
D. 404,737	1/1999	Ishihara	D14/231
2,956,248	10/1960	Strand	343/786
4,222,017	9/1980	Foldes	343/786

The broken line showing of the dish antenna in FIG. 1 is for illustrative purposes only and forms no part of the claimed design.

The broken away showing of the conduit indicates that it is of indeterminate length.

1 Claim, 3 Drawing Sheets



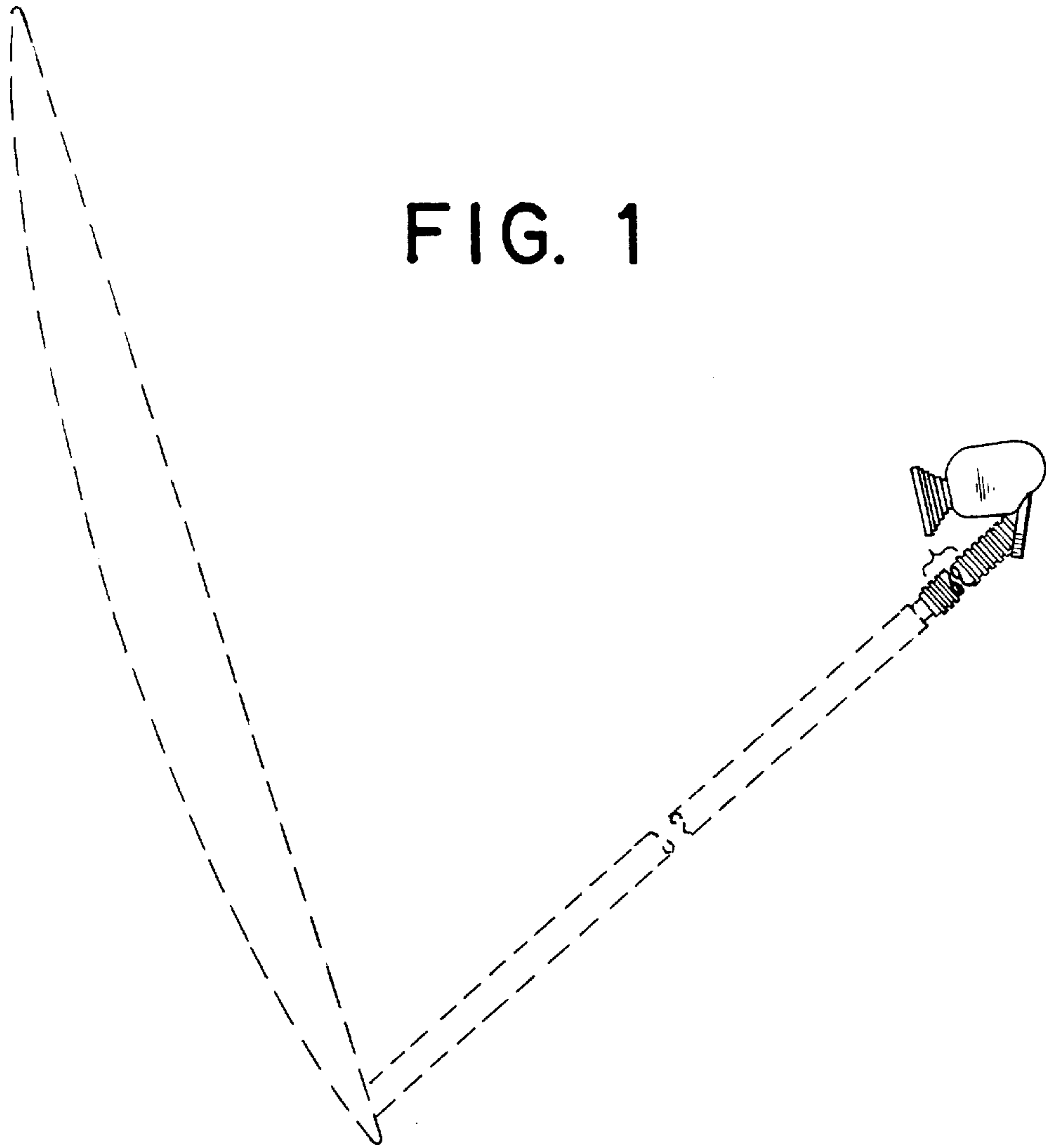


FIG. 1

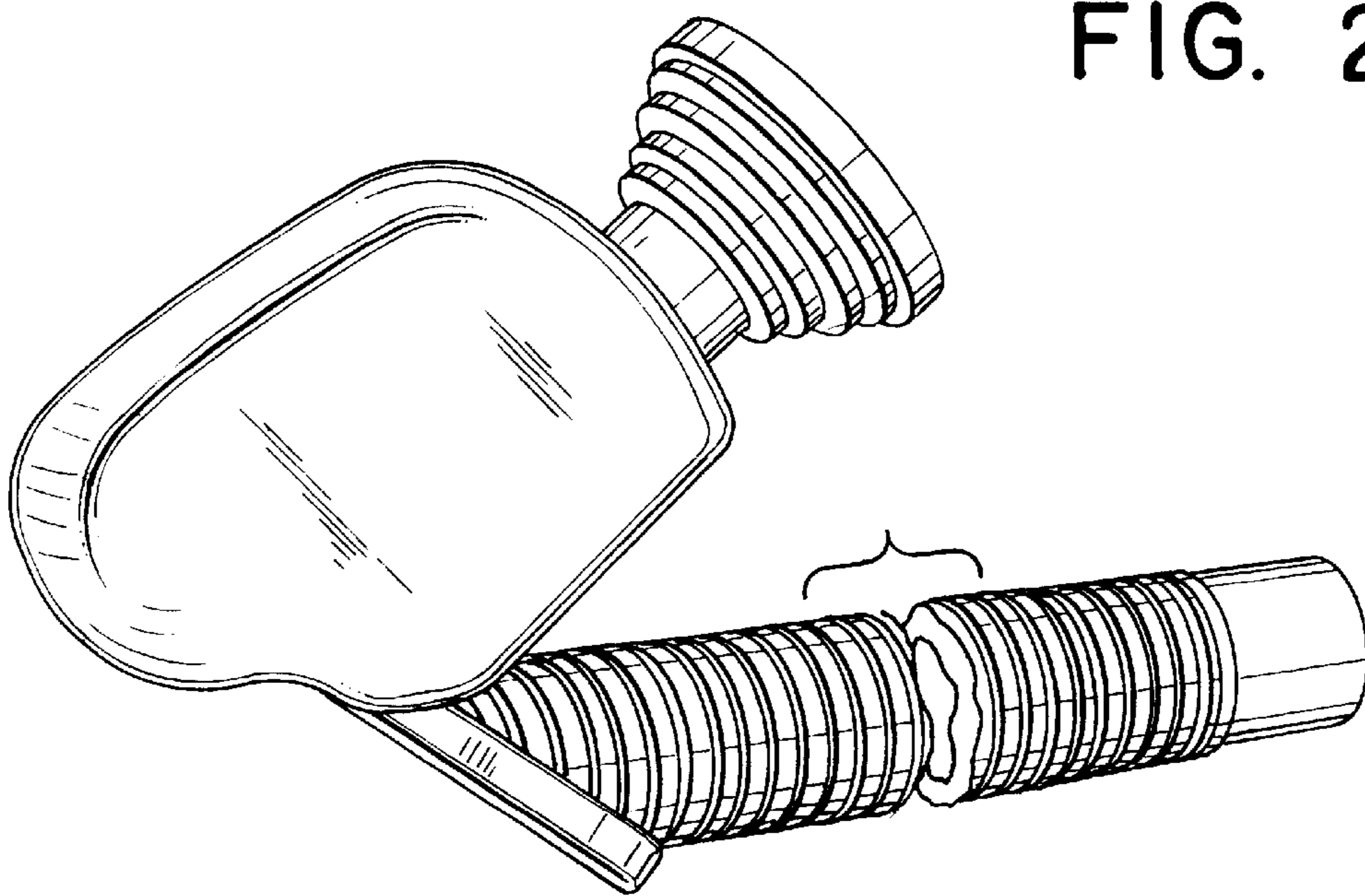


FIG. 2

FIG. 3

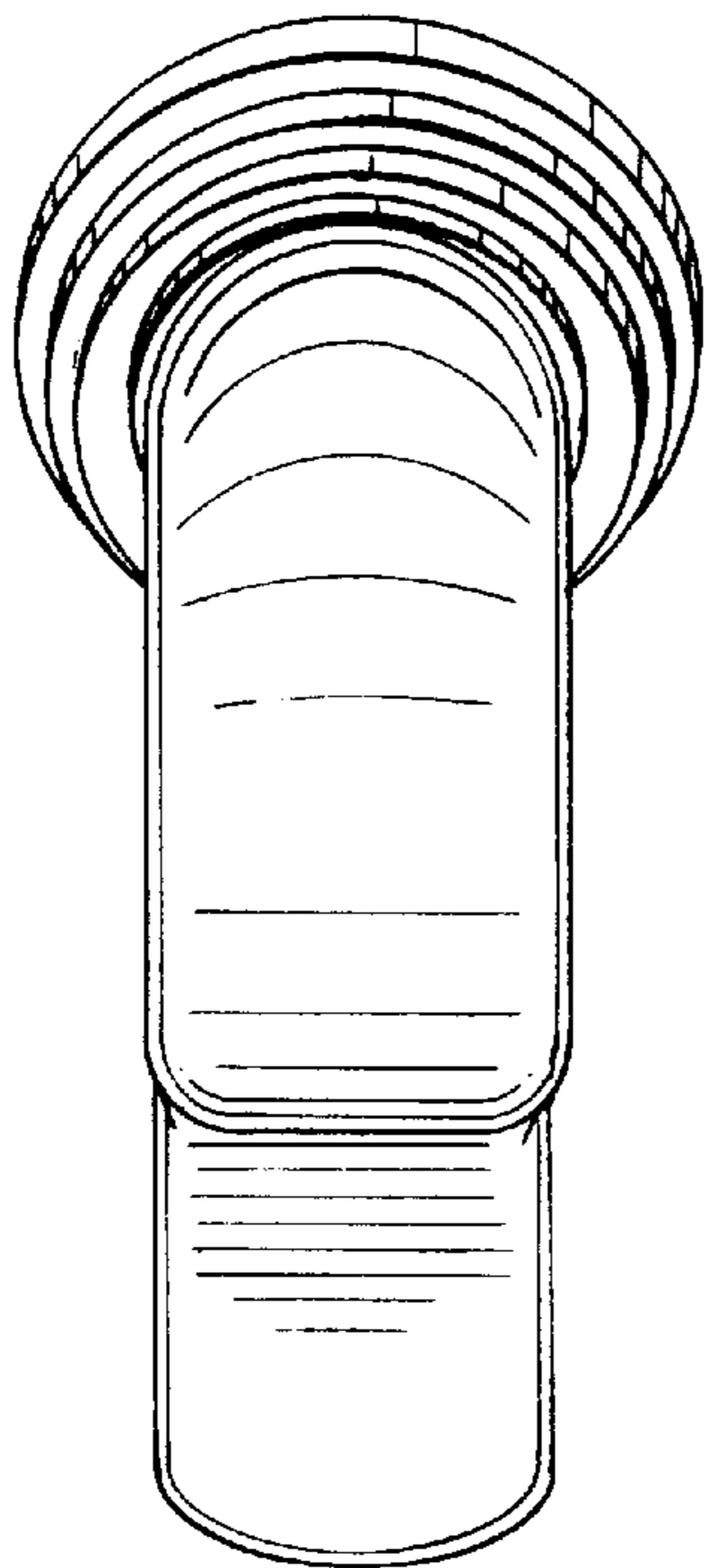
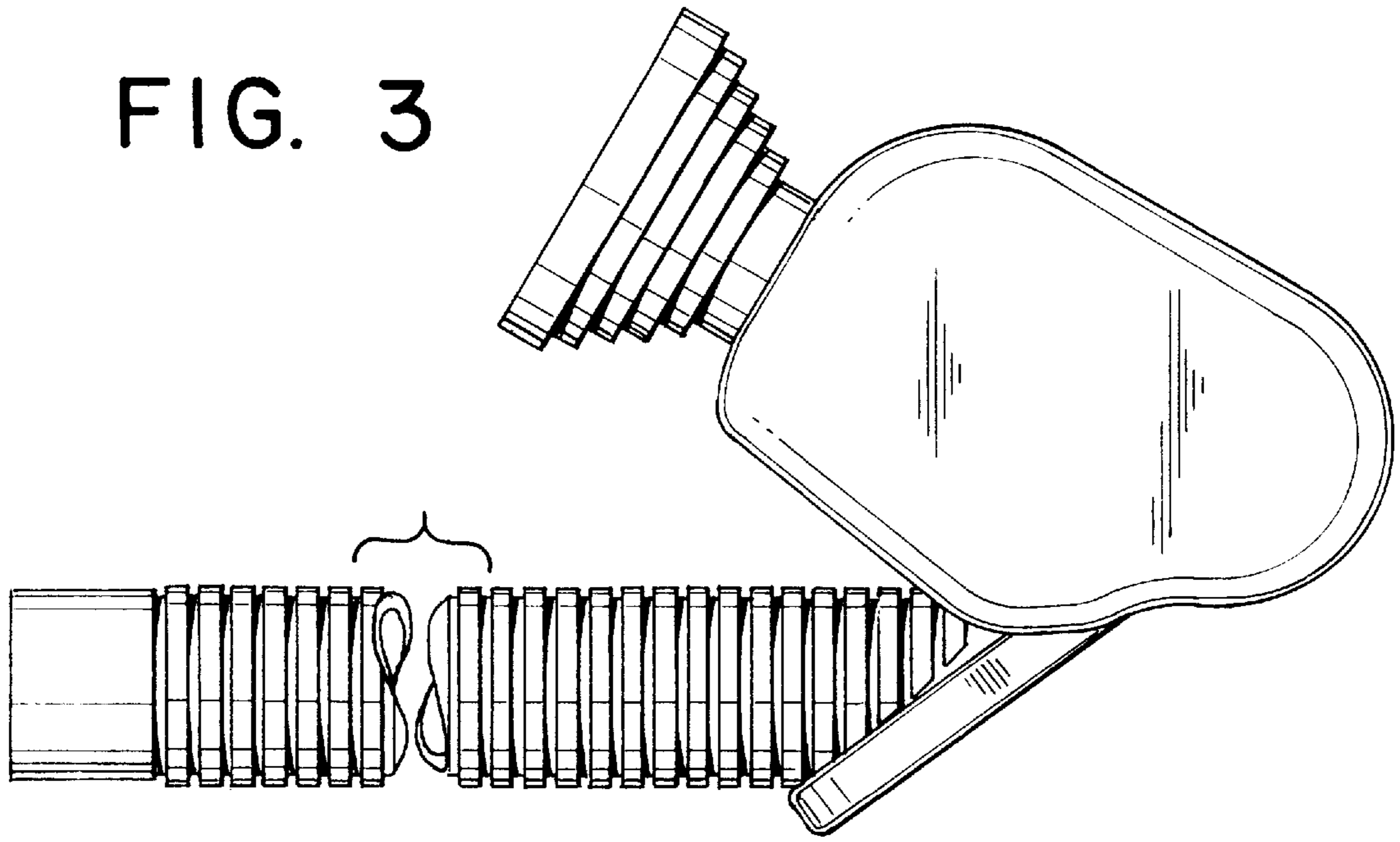


FIG. 4

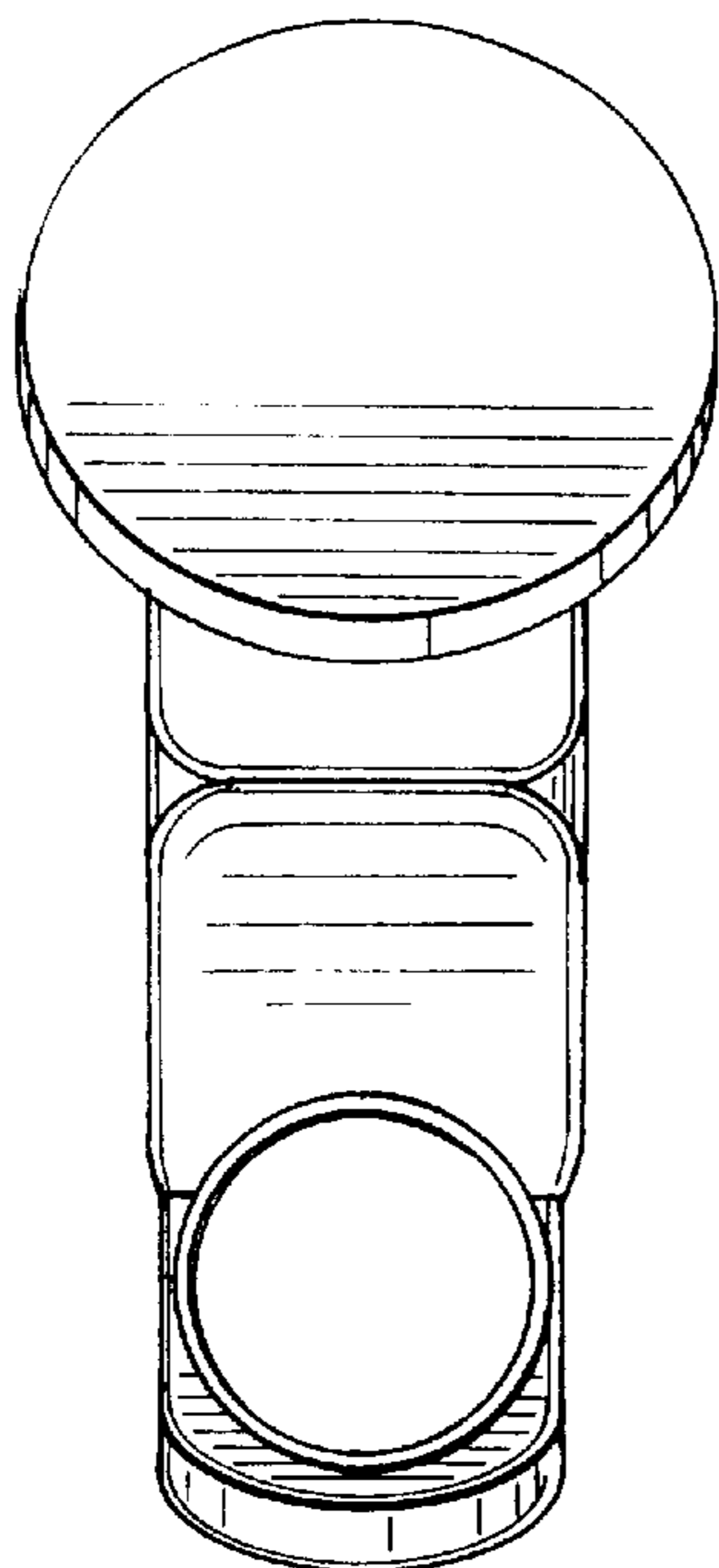


FIG. 5

FIG. 6

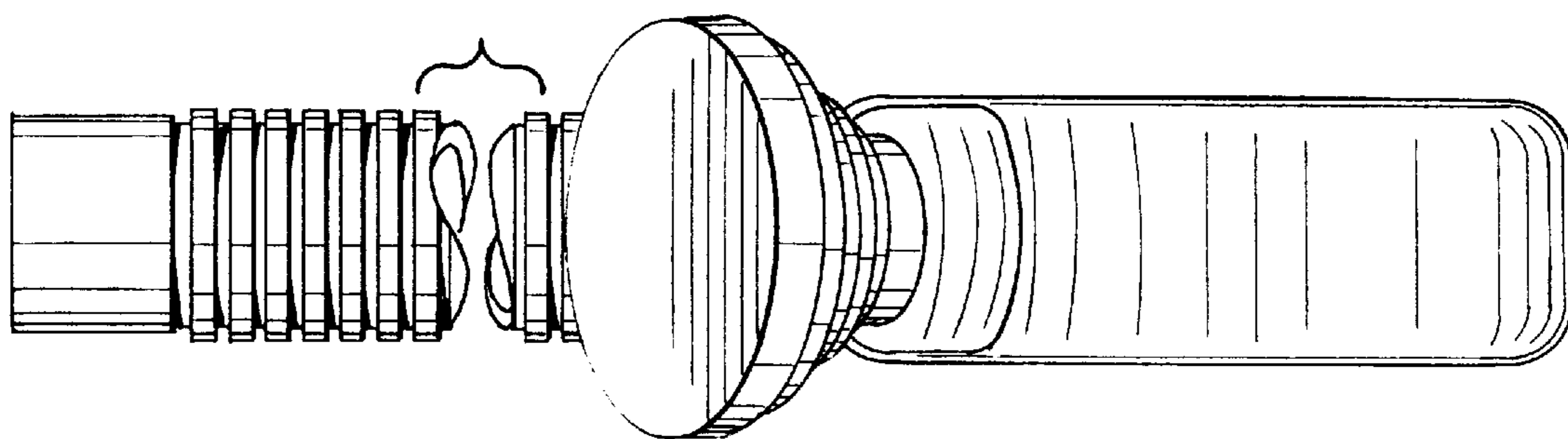


FIG. 7

