



US00D431552S

United States Patent [19]

[11] Patent Number: **Des. 431,552**

Backs et al.

[45] Date of Patent: **** *Oct. 3, 2000**

[54] **REMOTE CONTROL**

[75] Inventors: **Jochen Philipp Backs**, San Francisco; **Blaise Bertrand**; **Charles Richard Lewis, Jr.**, both of Palo Alto; **Sam Yuchai Hu**, Mountain View; **Donald MacDougall**, Arroyo Grande; **Kurtis G. Heaton**, Pleasanton; **Paul Newby**, Palo Alto, all of Calif.

D. 395,889	7/1998	Gerba et al.	D14/218
D. 395,890	7/1998	Gerba et al.	D14/218
D. 395,891	7/1998	Gerba et al.	D14/218
D. 396,323	7/1998	Renk, Jr. et al.	D14/218
D. 406,847	3/1999	Gerba et al.	D14/218
D. 409,201	5/1999	Barraza et al.	D14/218
D. 415,495	10/1999	Gerba et al.	D14/218
D. 415,496	10/1999	Gerba et al.	D14/218
D. 424,061	5/2000	Backs et al.	D14/218
D. 424,577	5/2000	Backs et al.	D14/218

[73] Assignee: **TiVo, Inc.**, Alviso, Calif.

Primary Examiner—Louis S. Zarfaz
Assistant Examiner—Greg Andoll
Attorney, Agent, or Firm—Michael A. Glenn

[*] Notice: This patent is subject to a terminal disclaimer.

[**] Term: **14 Years**

[57] **CLAIM**

The ornamental design for a remote control, as shown and described.

[21] Appl. No.: **29/119,637**

DESCRIPTION

[22] Filed: **Mar. 3, 2000**

[51] **LOC (7) Cl.** **14-03**

FIG. 1 is a top view of a remote control according to the invention;

[52] **U.S. Cl.** **D14/218**

FIG. 2 is a right side view of a remote control according to the invention, the left side of the remote control being a mirror image thereof;

[58] **Field of Search** D14/217, 218, D14/214, 299; D10/104, 106; D13/168; D21/566; 348/734; 455/151.1–151.4, 352–355, 251.1; 200/331

FIG. 3 is a bottom view of a remote control according to the invention;

[56] **References Cited**

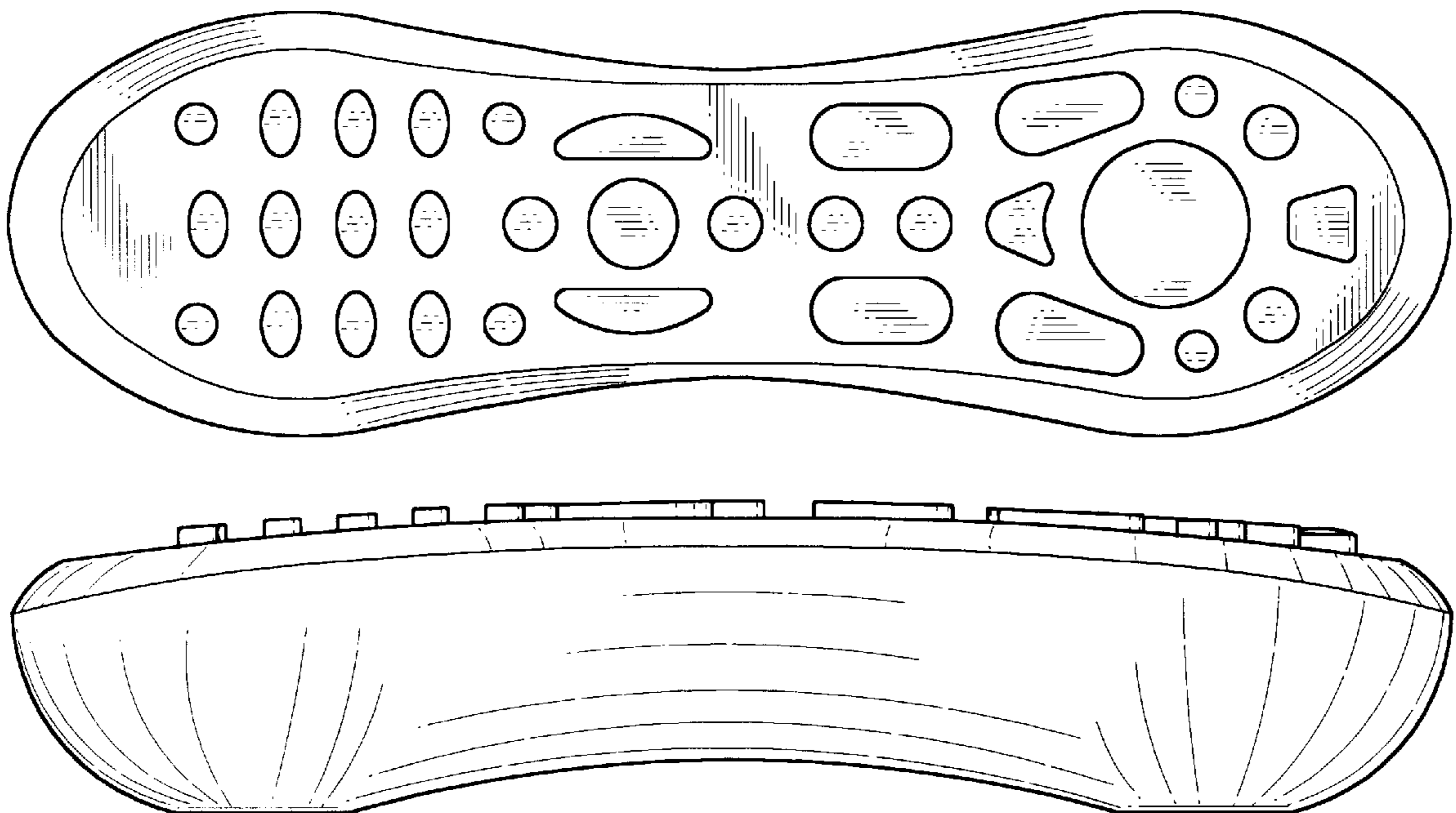
FIG. 4 is a lower end view of a remote control according to the invention; and,

U.S. PATENT DOCUMENTS

FIG. 5 is an upper end view of a remote control according to the invention.

D. 380,473	7/1997	Otani	D14/218
D. 393,628	4/1998	Ladbetter et al.	D14/218

1 Claim, 2 Drawing Sheets



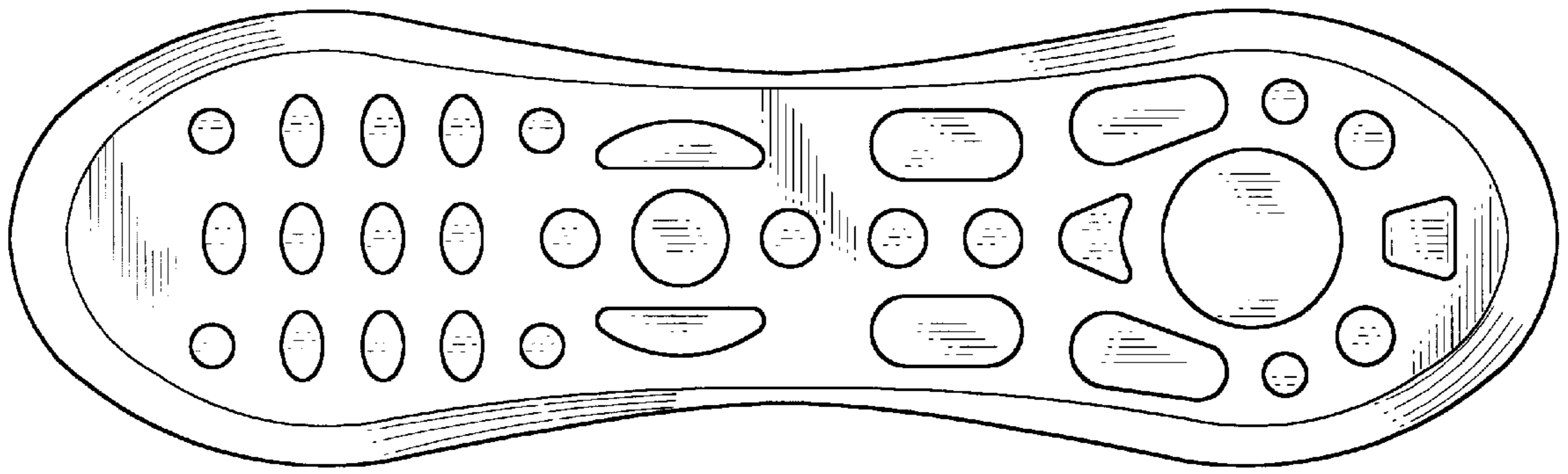


FIG. 1

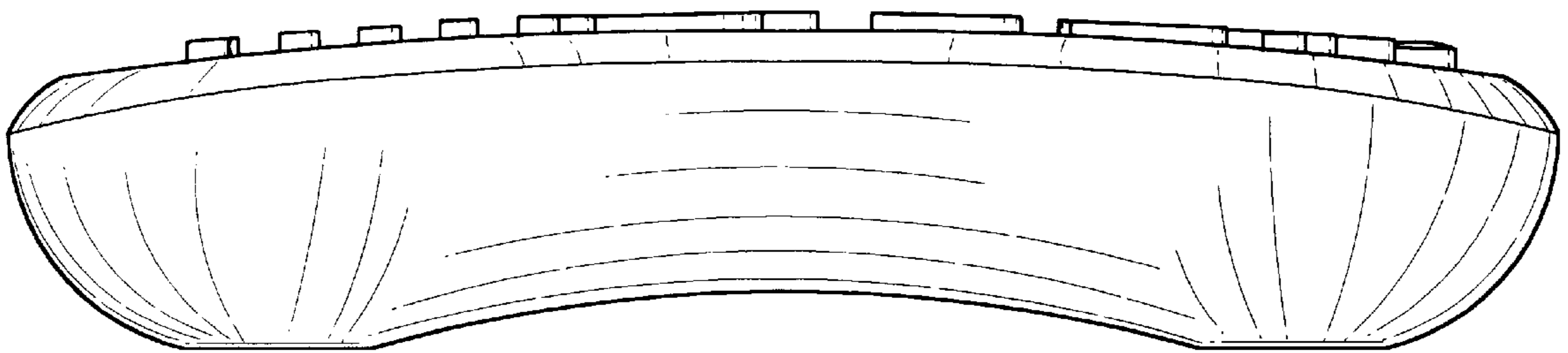


FIG. 2

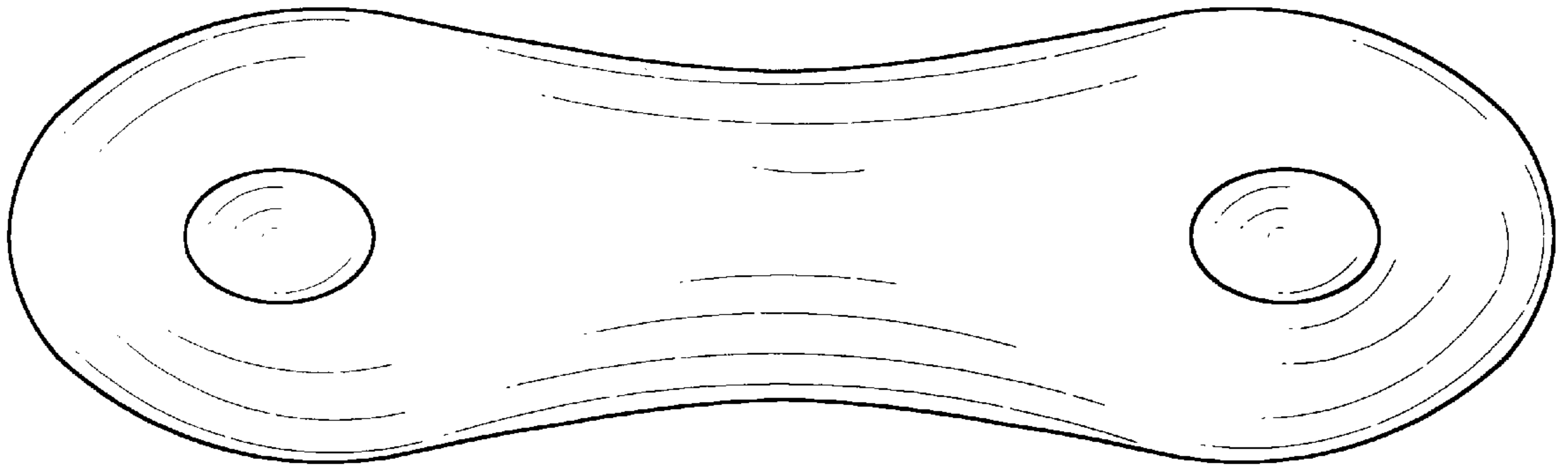


FIG. 3

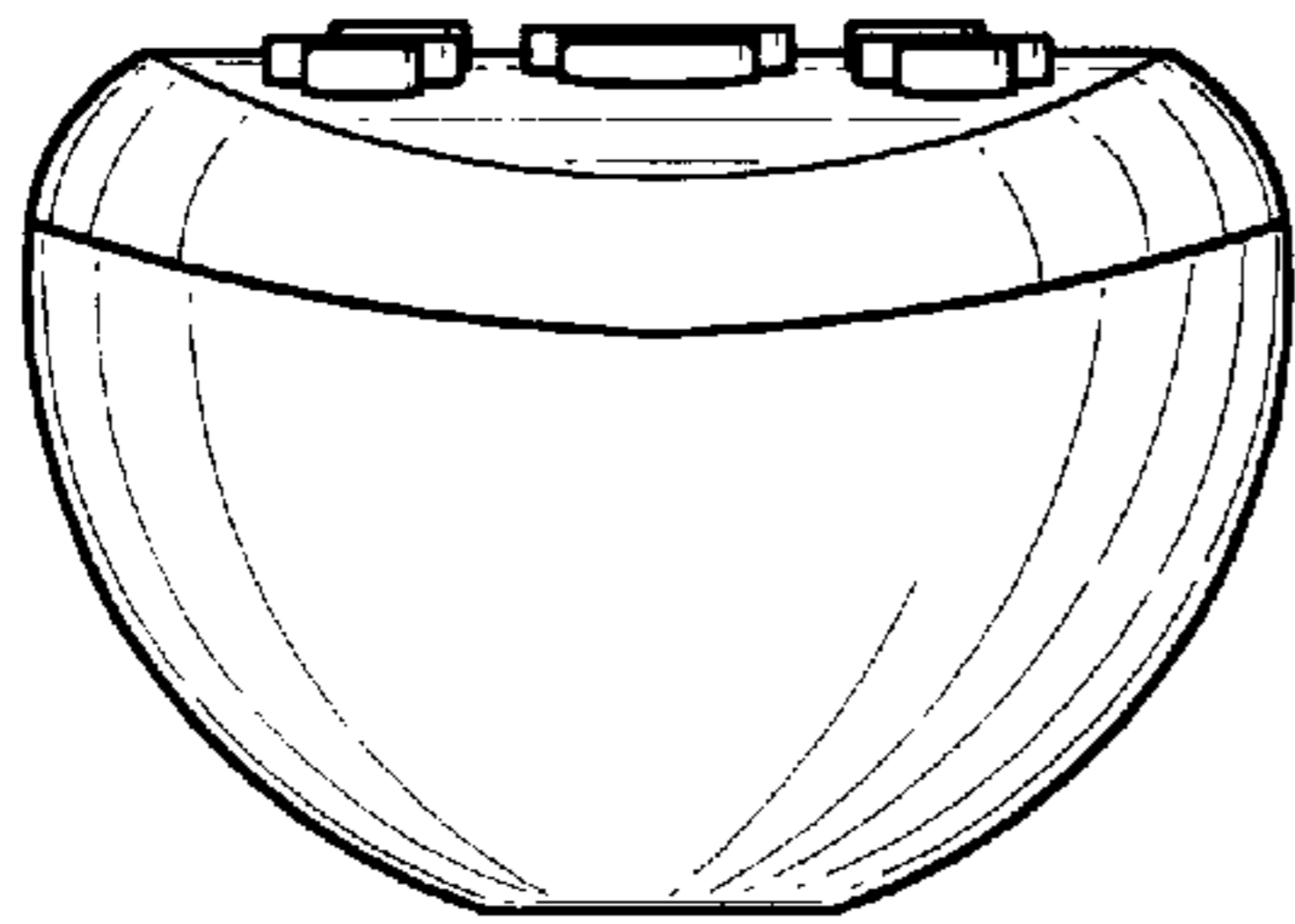


FIG. 4

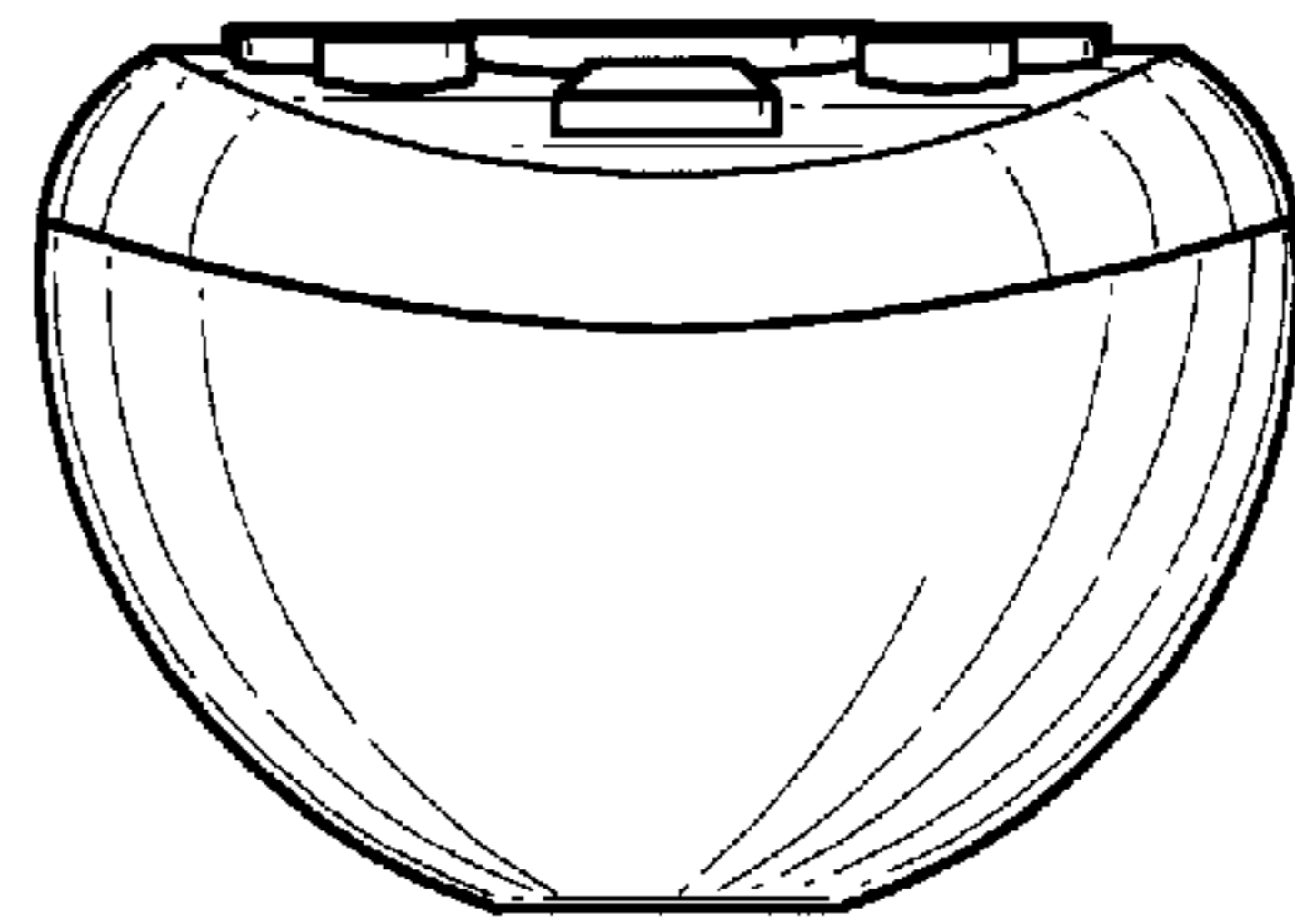


FIG. 5