



US00D431550S

United States Patent [19]
Yoneda

[11] **Patent Number: Des. 431,550**
[45] **Date of Patent: ** Oct. 3, 2000**

[54] **HEADPHONE**

[75] Inventor: **Naofumi Yoneda**, Tokyo, Japan

[73] Assignee: **Sony Corporation**, Japan

[**] Term: **14 Years**

[21] Appl. No.: **29/109,849**

[22] Filed: **Aug. 24, 1999**

[30] **Foreign Application Priority Data**

Feb. 24, 1999 [JP] Japan 11-4200

[51] **LOC (7) Cl.** **14-01**

[52] **U.S. Cl.** **D14/205**

[58] **Field of Search** D14/192, 205,
D14/206, 223, 224; 181/129, 130; 379/430,
431, 444

[56] **References Cited**

U.S. PATENT DOCUMENTS

- D. 222,361 10/1971 Hart D14/205
- D. 353,818 12/1994 Nakamura D14/205
- D. 369,604 5/1996 Morimiya D14/205
- D. 376,598 12/1996 Hayashi D14/206

- D. 391,573 3/1998 Nakamura D14/205
- D. 405,449 2/1999 Nakamura et al. D14/205
- D. 410,466 6/1999 Mouri D14/205
- 2,782,423 2/1957 Simon et al. D14/205 X

OTHER PUBLICATIONS

Catalog "90"; Sony; Nov. 1998; pp. 254, 255 & 256.

Primary Examiner—Nanda Bondade
Attorney, Agent, or Firm—Rader, Fishman&Grauer

[57] **CLAIM**

The ornamental design for a headphone, as shown and described.

DESCRIPTION

FIG. 1 is a perspective view of a headphone showing my new design;
FIG. 2 is a top plan view thereof;
FIG. 3 is a left side elevational view thereof;
FIG. 4 is a front elevational view thereof;
FIG. 5 is a bottom plan view thereof;
FIG. 6 is a right side elevational view thereof; and,
FIG. 7 is a rear elevational view thereof.

1 Claim, 4 Drawing Sheets

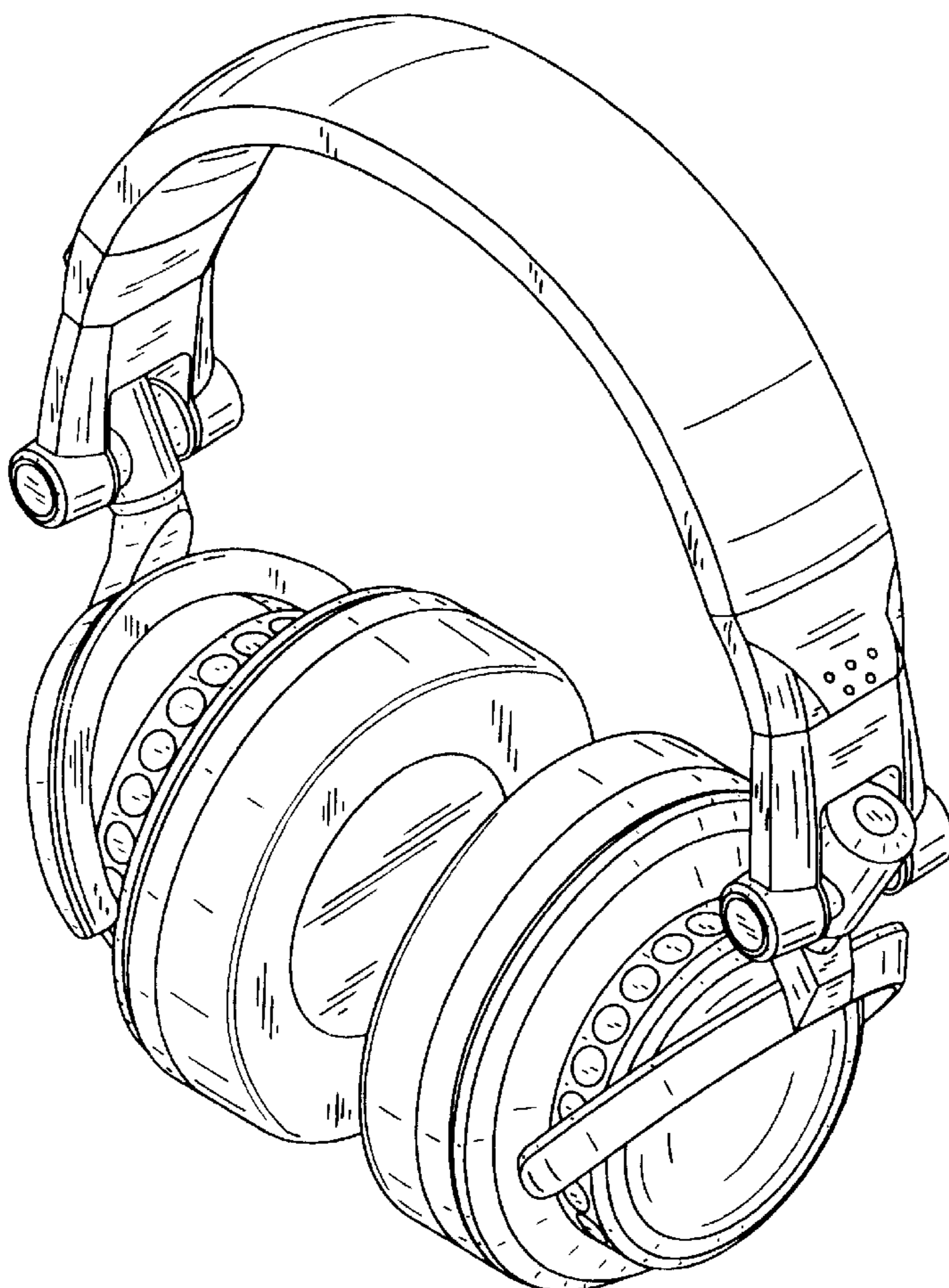


FIG. 1

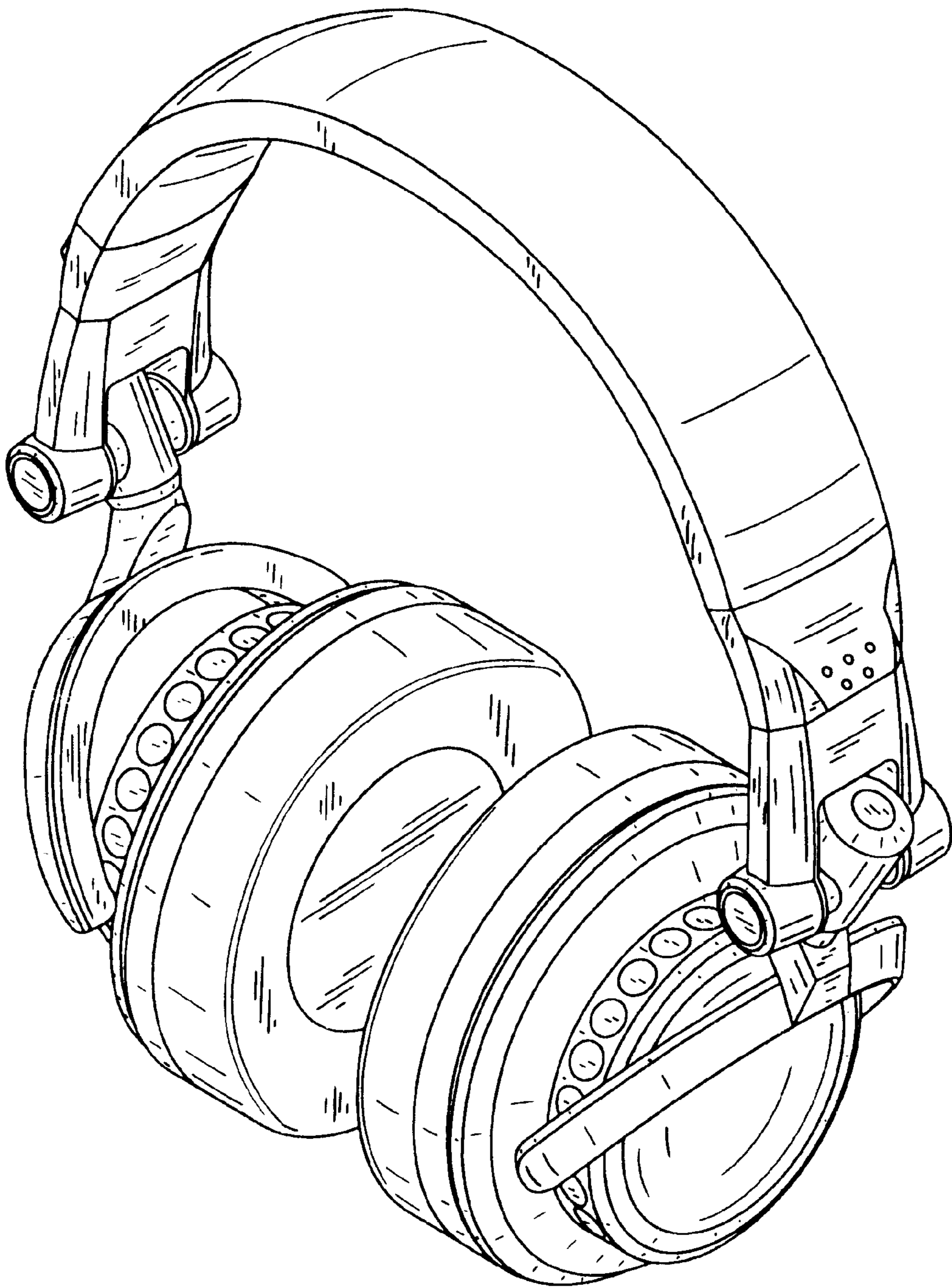


FIG. 2

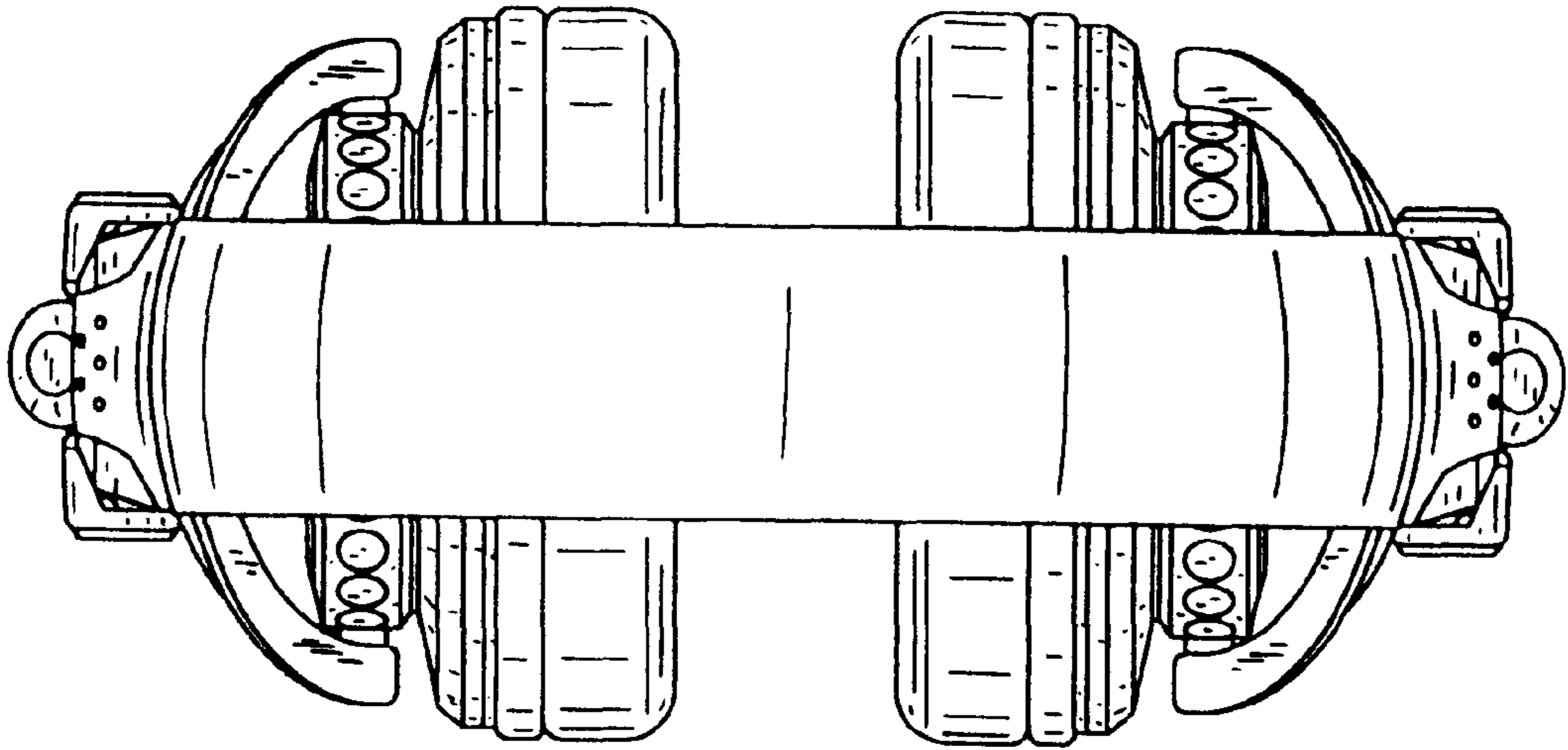


FIG. 5

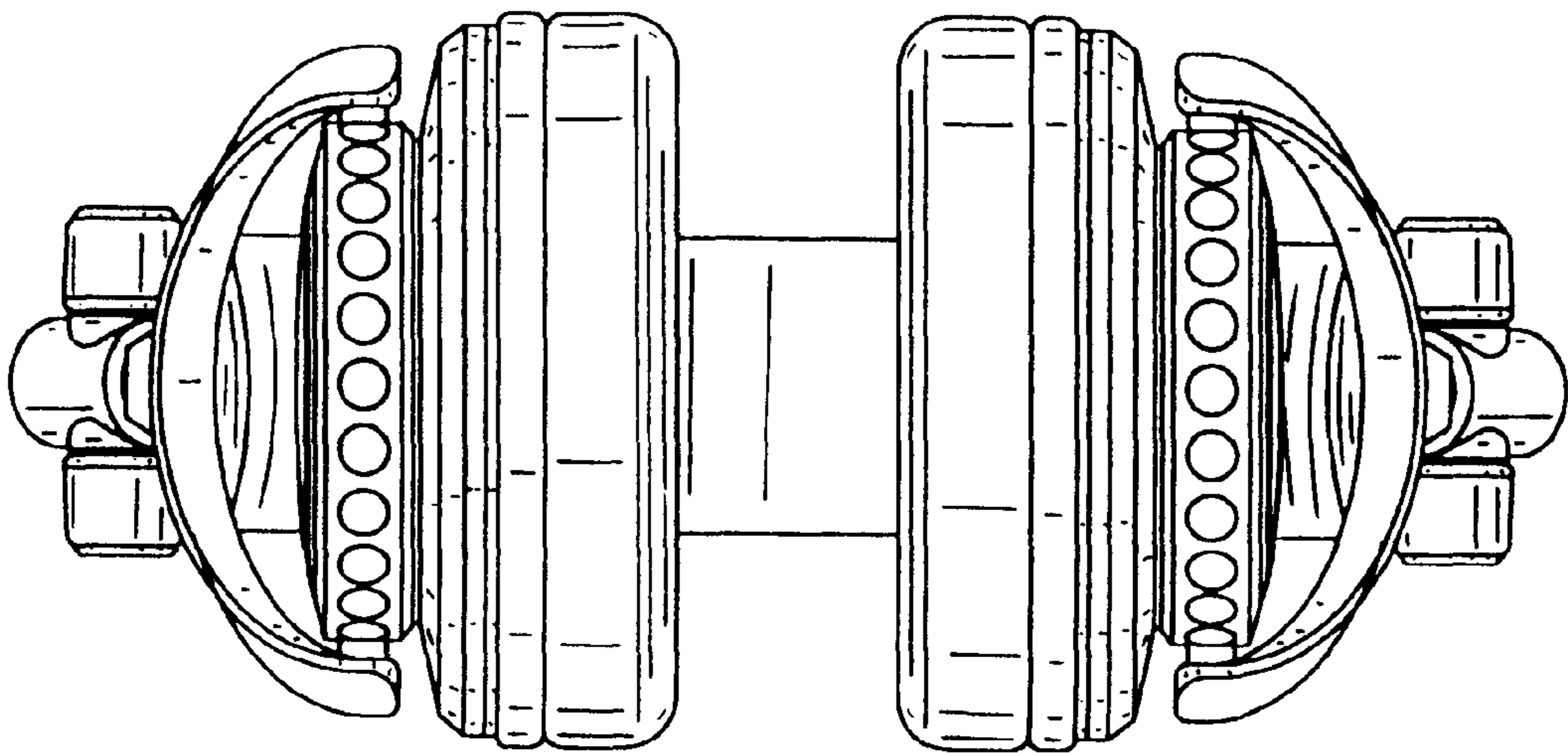


FIG. 3

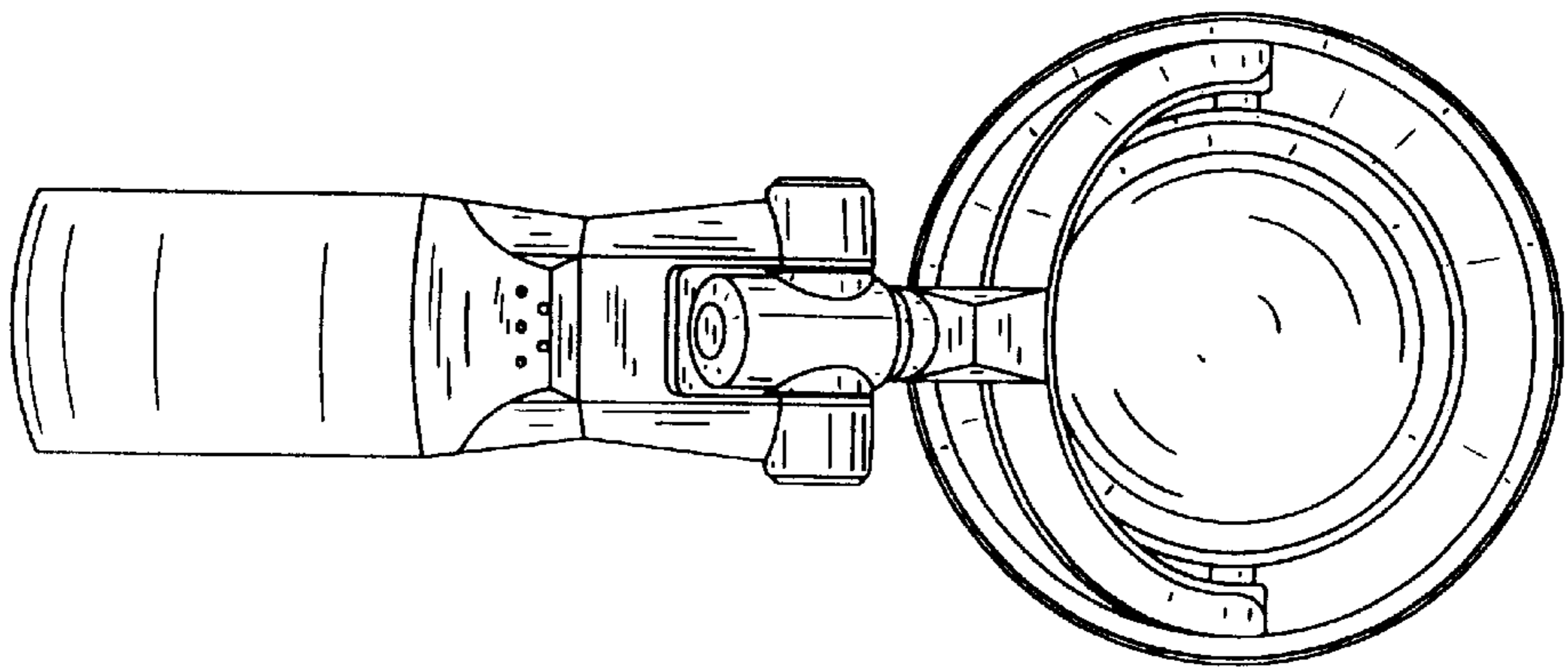


FIG. 4

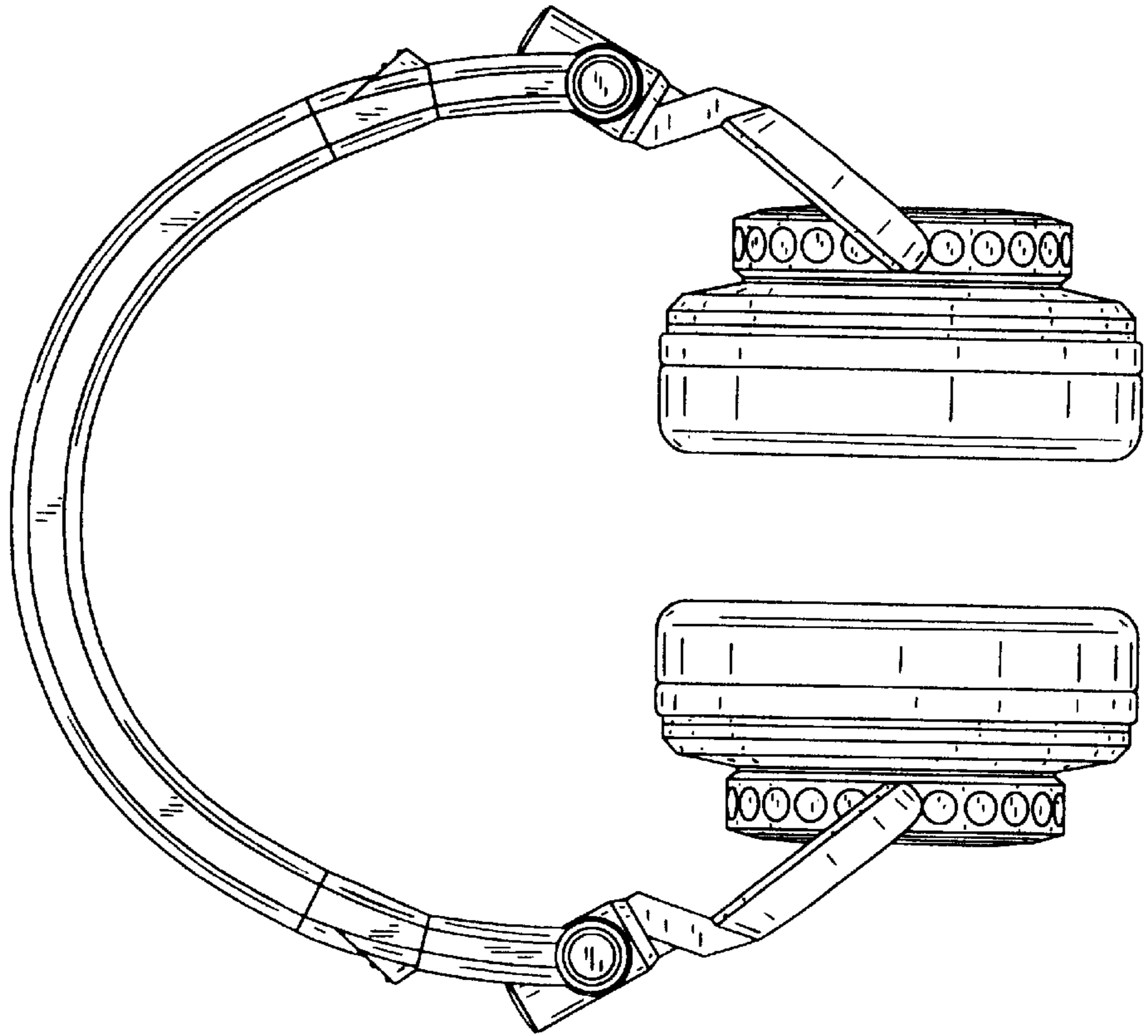


FIG. 6

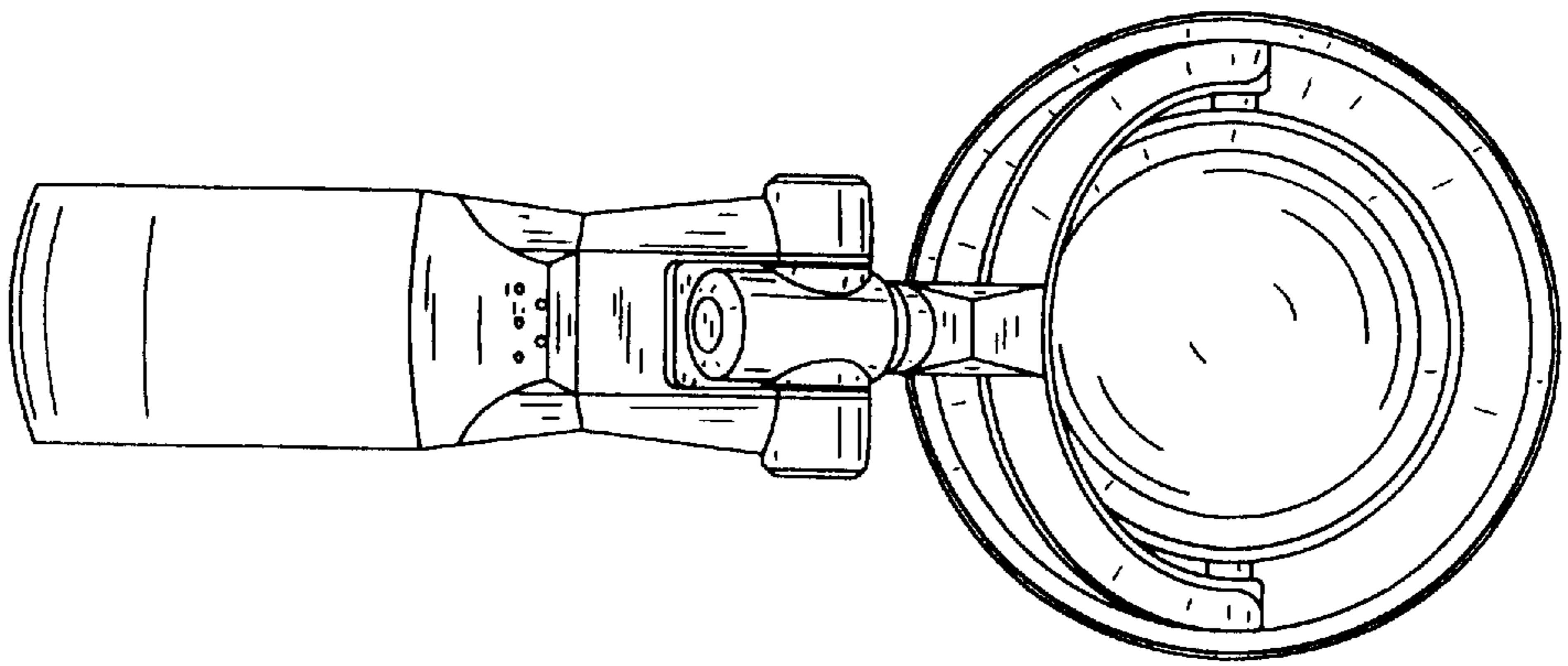


FIG. 7

