



US00D431548S

United States Patent [19]

[11] Patent Number: **Des. 431,548**

Rashid et al.

[45] Date of Patent: **** Oct. 3, 2000**

[54] **CLOCK RADIO COMBINED WITH COMPACT DISC PLAYER**

[75] Inventors: **Karim Rashid**, New York, N.Y.; **Knut T. Fenner**, Westfield; **Richard Gioscia**, Mahwah, both of N.J.

[73] Assignees: **Sony Corporation**, Tokyo, Japan; **Sony Electronics Inc.**, Park Ridge, N.J.

[**] Term: **14 Years**

[21] Appl. No.: **29/116,846**

[22] Filed: **Jan. 11, 2000**

[51] **LOC (7) Cl.** **14-01**

[52] **U.S. Cl.** **D14/168; D14/156; D14/171**

[58] **Field of Search** **D10/2, 15; D14/135, D14/136, 156, 157, 160-168, 171, 193-198, 188; 455/344, 347, 350, 351**

[56] **References Cited**

U.S. PATENT DOCUMENTS

D. 273,785 5/1984 Davidson D10/2

| | | | | |
|------------|---------|----------|-------|-----------|
| D. 384,069 | 9/1997 | Kokkinis | | D14/168 X |
| D. 400,532 | 11/1998 | Hattori | | D14/168 |
| D. 404,033 | 1/1999 | Fong | | D14/194 X |
| D. 411,198 | 6/1999 | Kawase | | D14/168 |
| D. 416,900 | 11/1999 | Yamada | | D14/168 |
| 5,146,618 | 9/1992 | Wenner | | 455/347 X |

Primary Examiner—Nanda Bondade
Attorney, Agent, or Firm—Jay H. Maioli

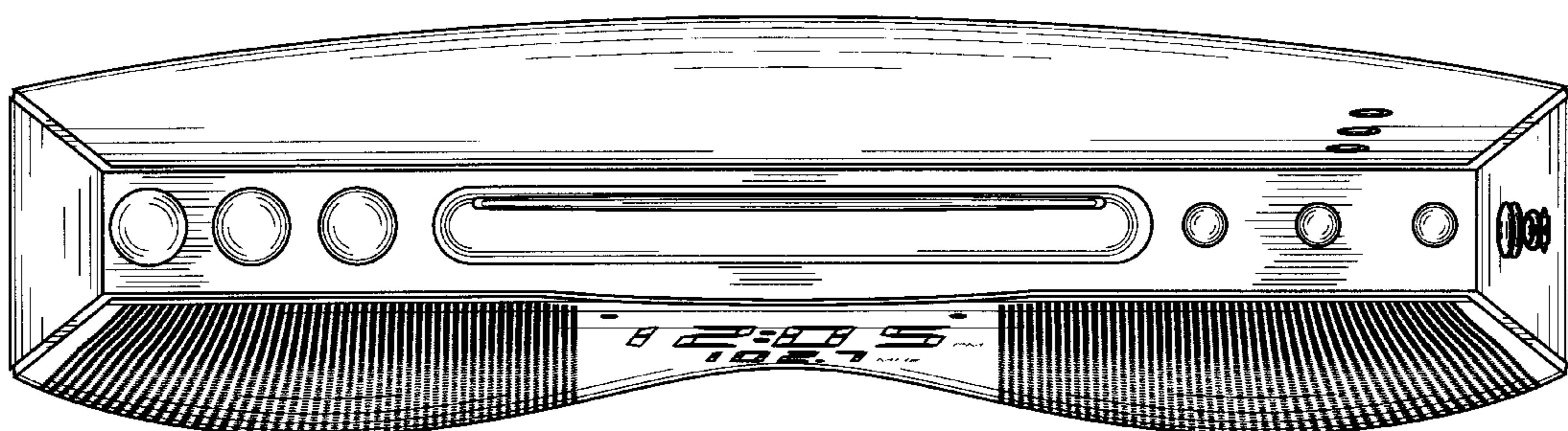
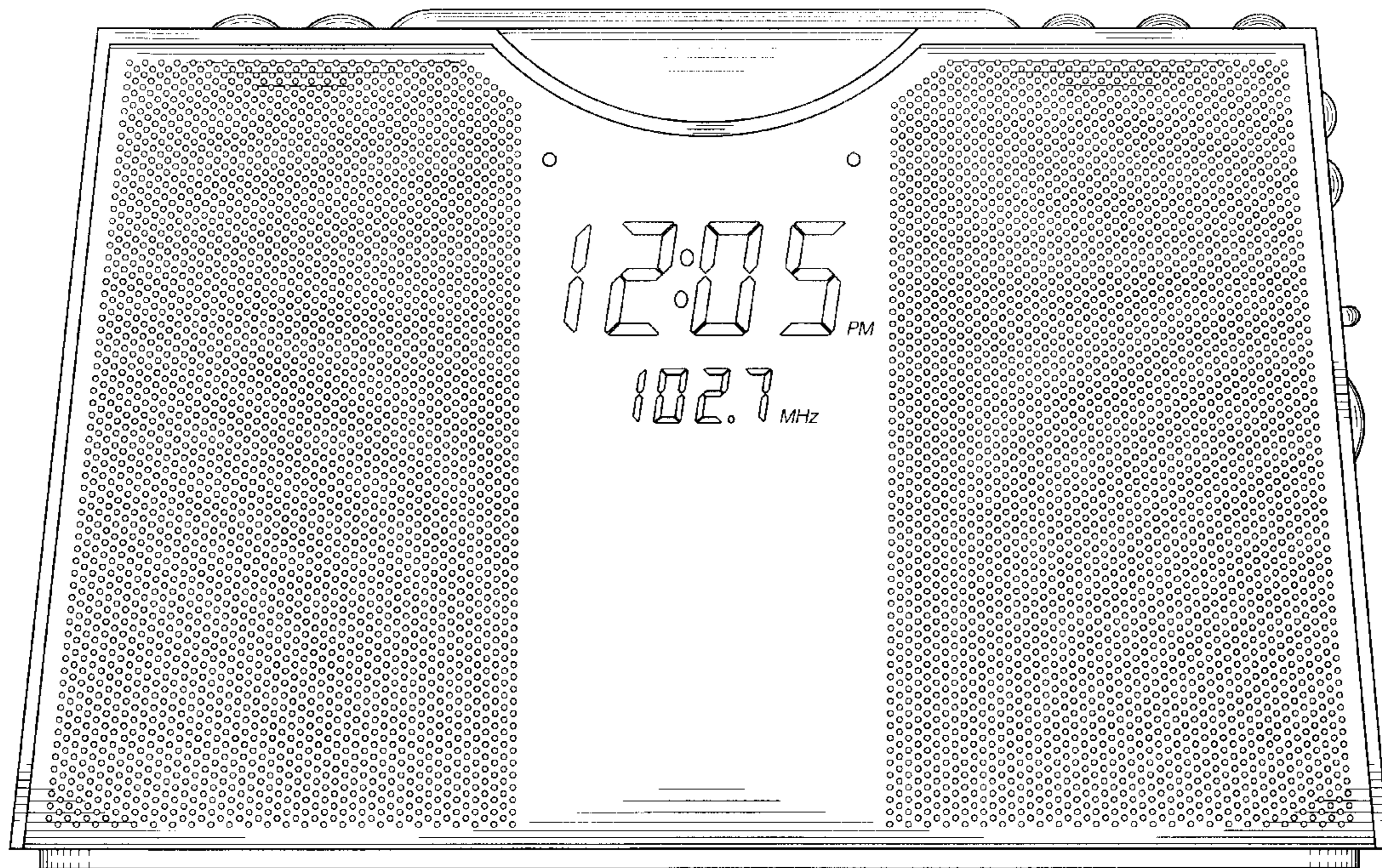
[57] **CLAIM**

The ornamental design for a clock radio combined with compact disc player, as shown and described.

DESCRIPTION

FIG. 1 is a front elevational view of a clock radio combined with compact disc player, showing our new design; FIG. 2 is a rear elevational view thereof; FIG. 3 is a right-side elevational view thereof; FIG. 4 is a left-side elevational view thereof; and, FIG. 5 is a top plan view thereof, the bottom thereof being void of ornamentation.

1 Claim, 4 Drawing Sheets



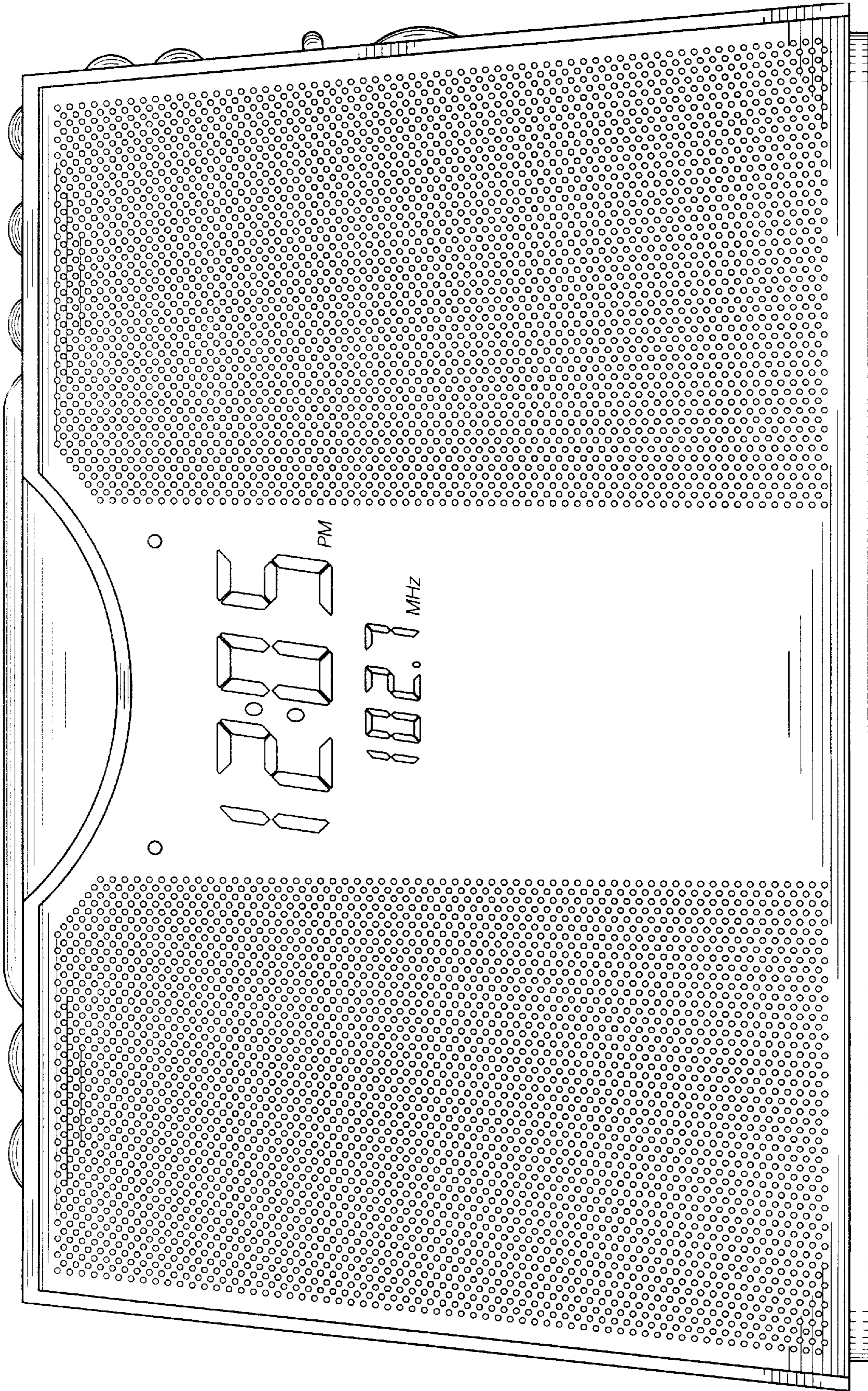


FIG. 1

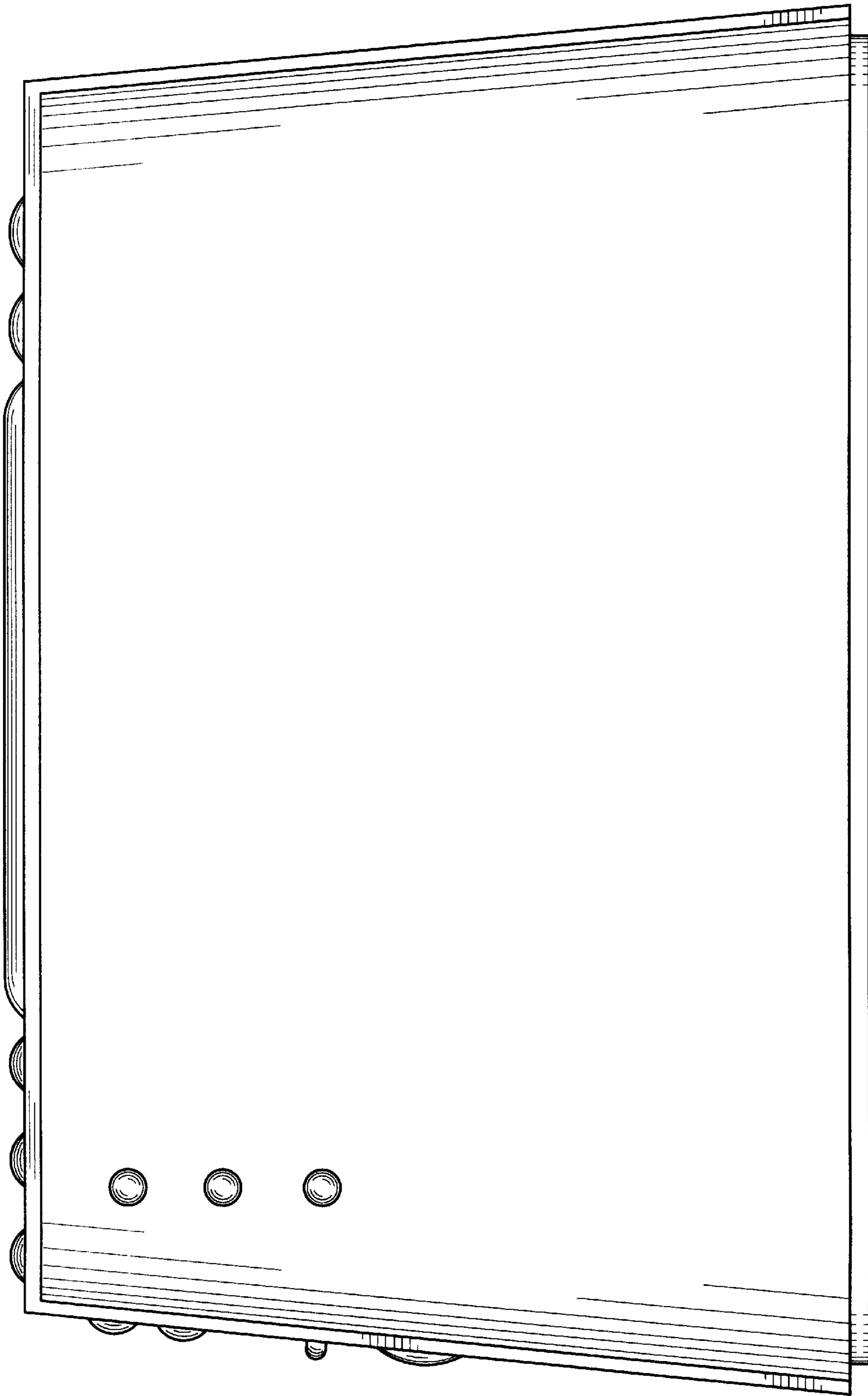


FIG. 2

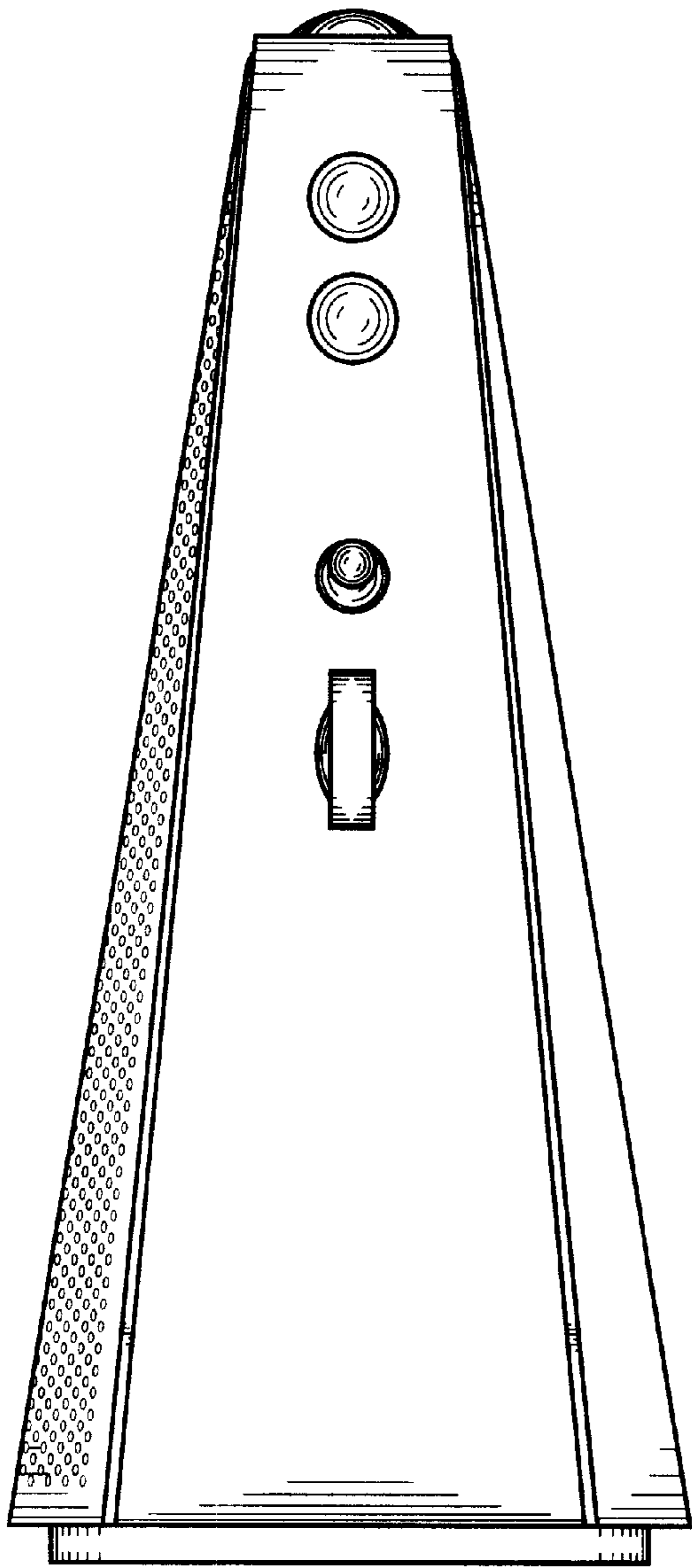


FIG. 3

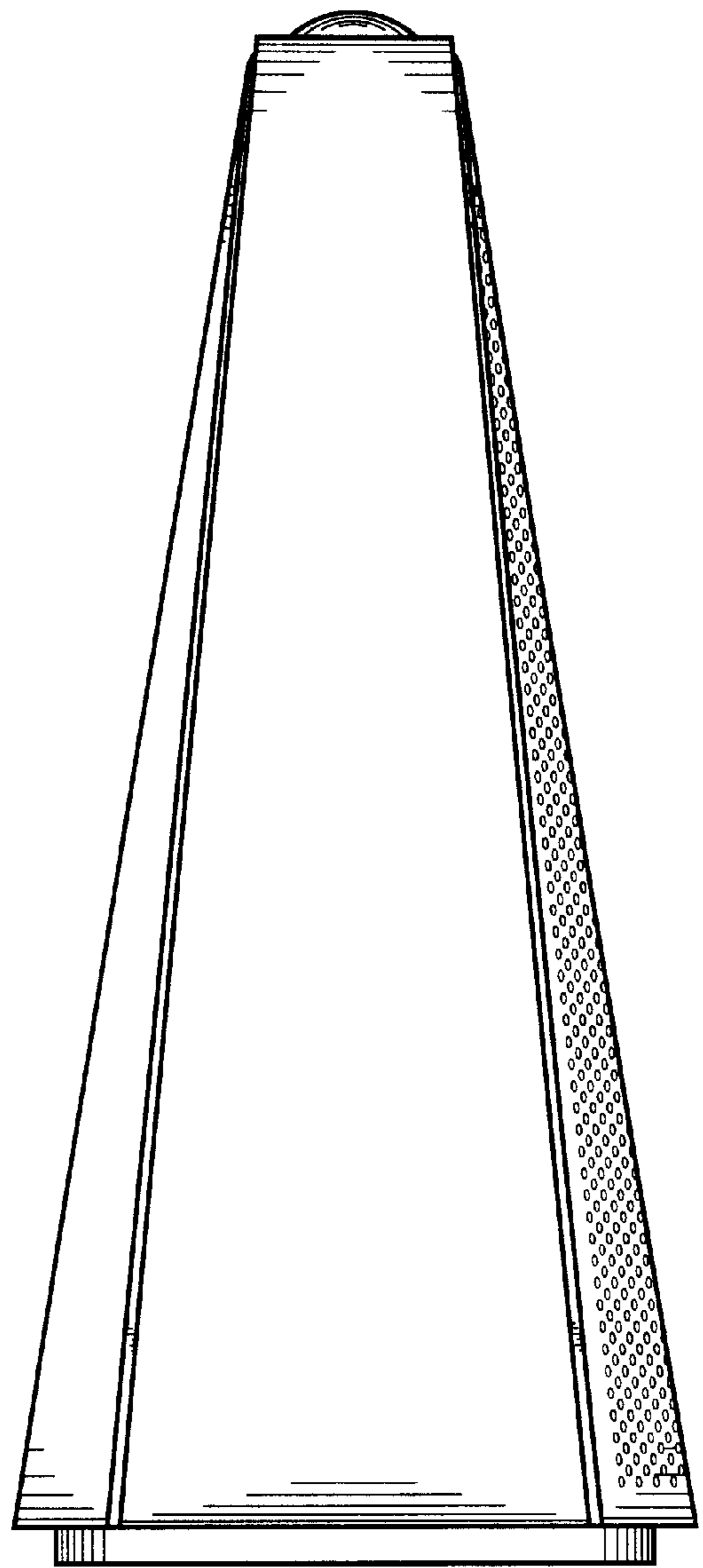


FIG. 4

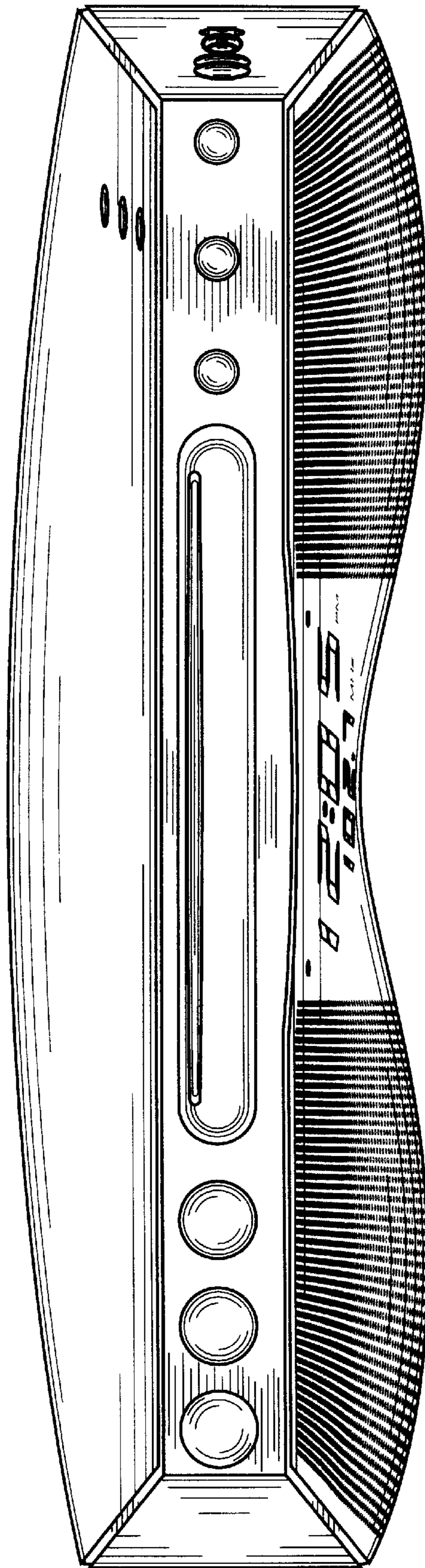


FIG. 5