



US00D431545S

# United States Patent [19] Murakami

[11] **Patent Number: Des. 431,545**  
[45] **Date of Patent: \*\* Oct. 3, 2000**

[54] **RECORDER FOR MAGNETIC TAPE**

D. 398,922 9/1998 Hisatsune et al. .... D14/135

[75] Inventor: **Tomonari Murakami**, Tokyo, Japan

### OTHER PUBLICATIONS

[73] Assignee: **Sony Corporation**, Japan

“Broadcast/Production System General Catalog 1999”,  
Sony; Oct. 1988; p. 107.

[\*\*] Term: **14 Years**

*Primary Examiner*—Nanda Bondade  
*Attorney, Agent, or Firm*—Rader, Fishman&Grauer

[21] Appl. No.: **29/108,537**

[22] Filed: **Jul. 30, 1999**

### [57] CLAIM

[51] **LOC (7) Cl.** ..... **14-01**

[52] **U.S. Cl.** ..... **D14/161; D14/156**

[58] **Field of Search** ..... D14/135-136,  
D14/156-157, 160-162, 164, 167-168,  
188, 197-198, 257-260, 356, 363; 369/75.1,  
75.2, 77.1, 77.2

The ornamental design for a recorder for magnetic tape, as  
shown and described.

### DESCRIPTION

### [56] References Cited

#### U.S. PATENT DOCUMENTS

D. 310,078 8/1990 Naito ..... D14/164  
D. 334,917 4/1993 Miyamoto ..... D14/164 X  
D. 349,702 8/1994 Daichyo ..... D14/198  
D. 375,306 11/1996 Iribe ..... D14/135

FIG. 1 is a perspective view of a recorder for magnetic tape  
showing my new design;  
FIG. 2 is a top plan view thereof;  
FIG. 3 is a bottom plan view thereof;  
FIG. 4 is a left side elevational view thereof;  
FIG. 5 is a right side elevational view thereof;  
FIG. 6 is a front elevational view thereof; and,  
FIG. 7 is a rear elevational view thereof.

**1 Claim, 4 Drawing Sheets**

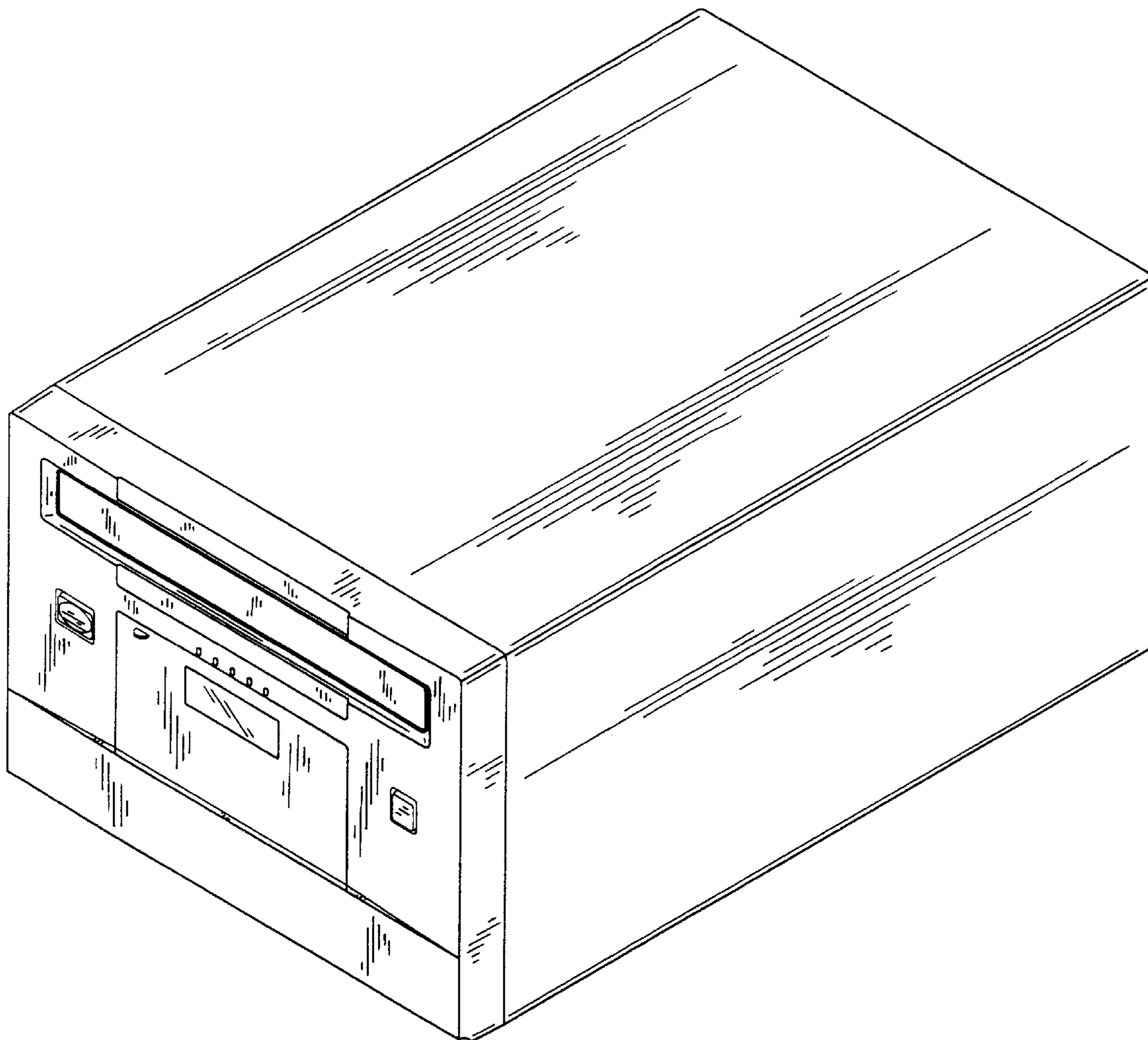


FIG. 1

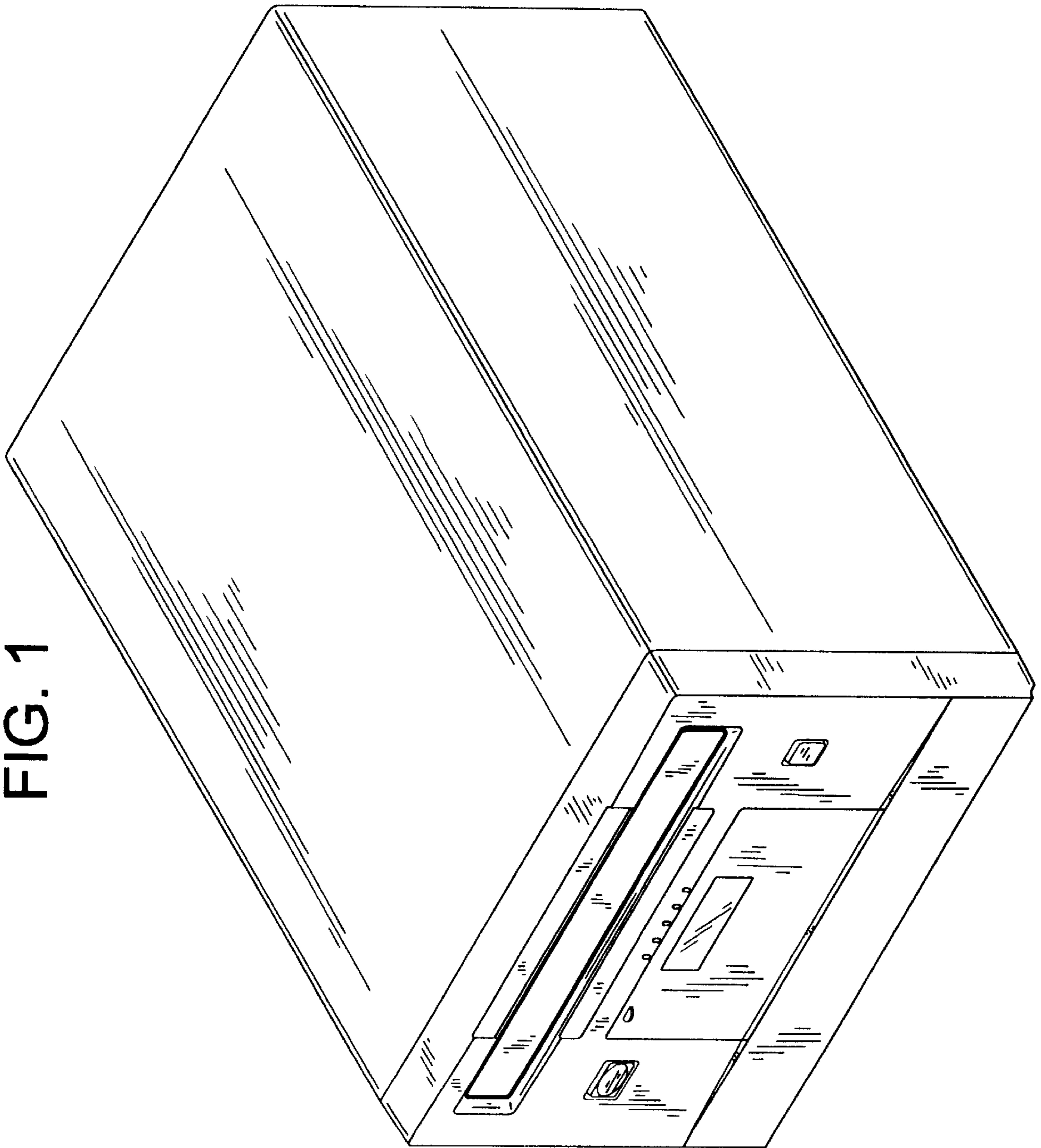


FIG. 3

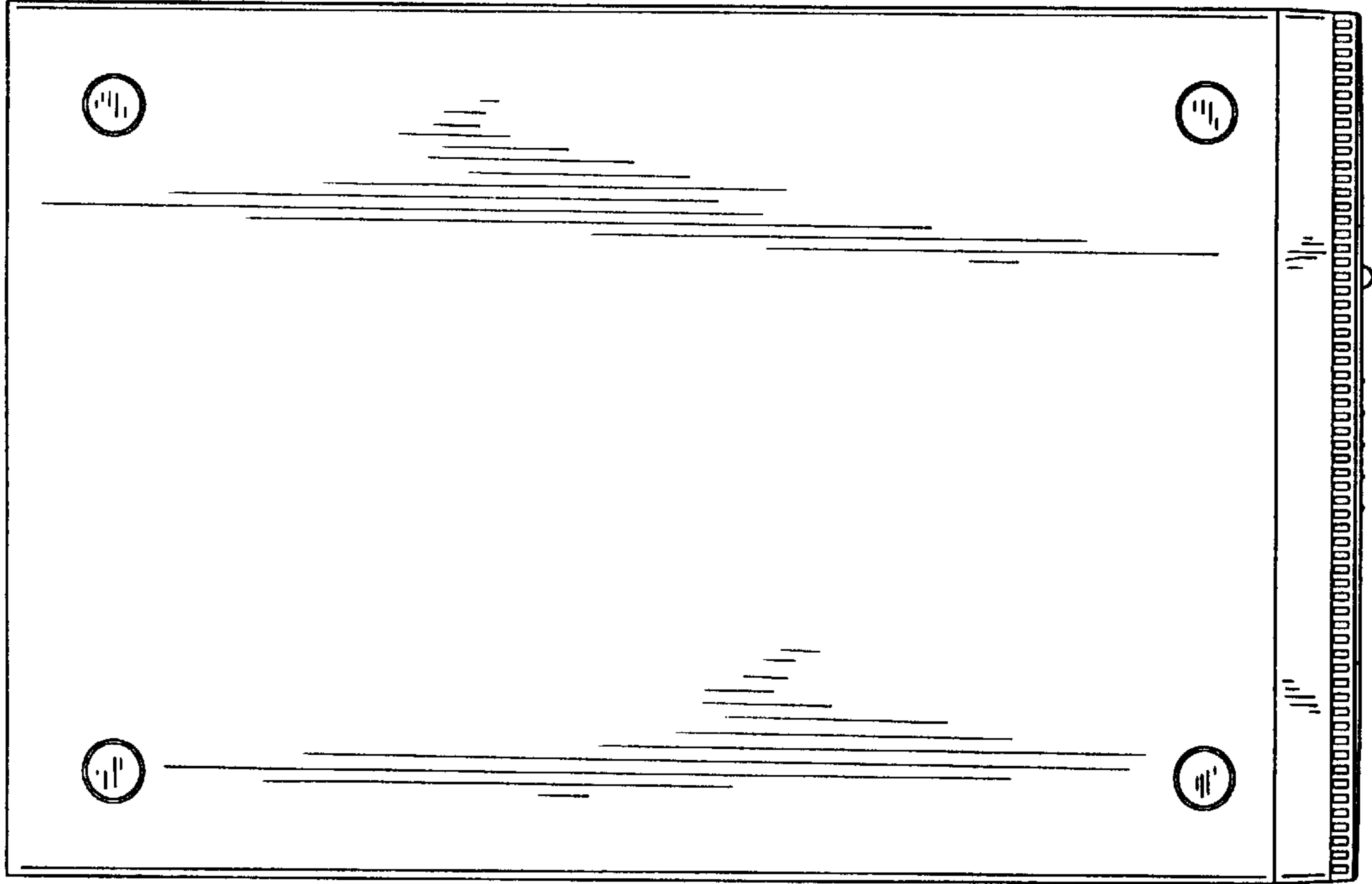


FIG. 2

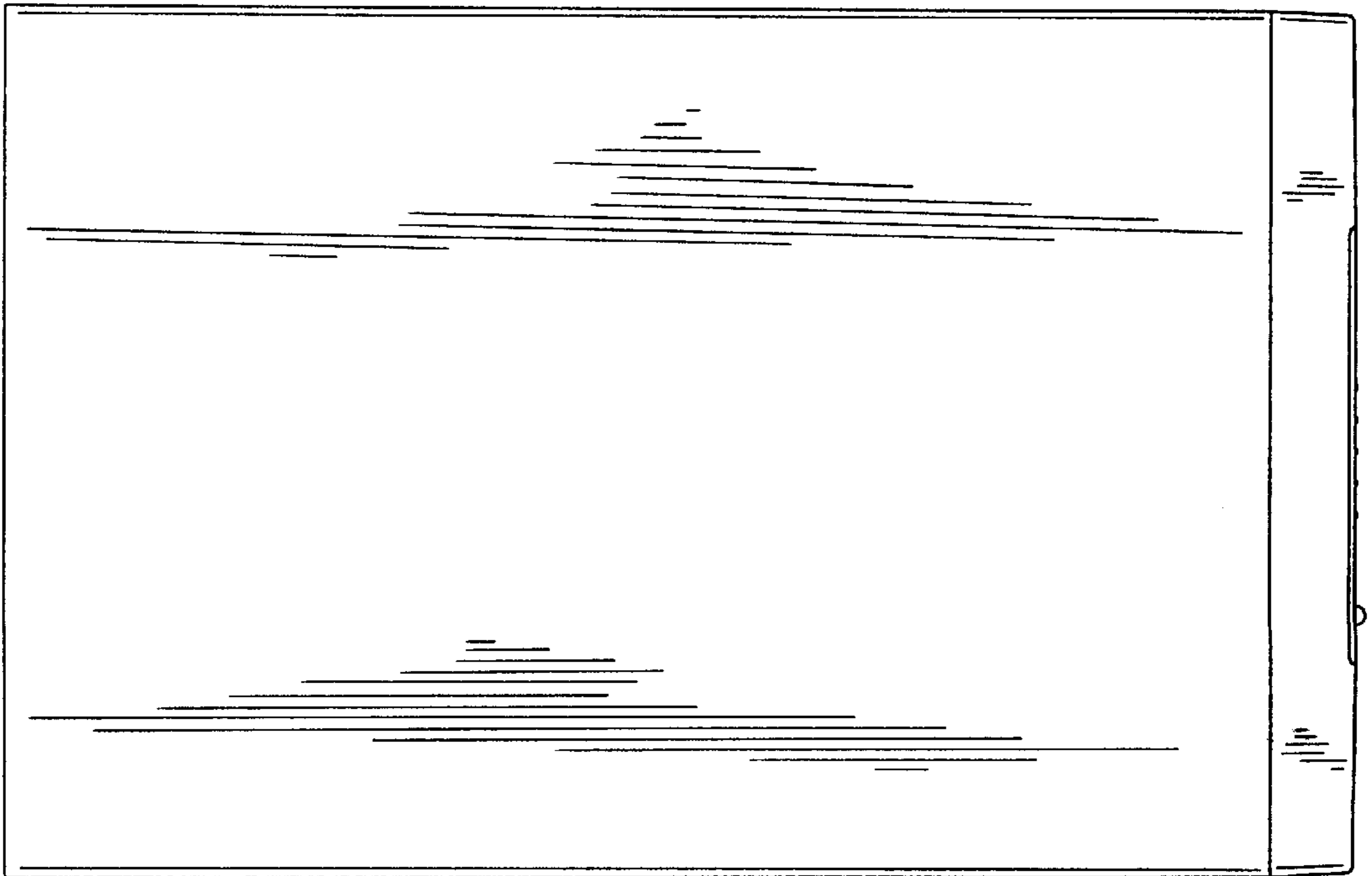


FIG. 4

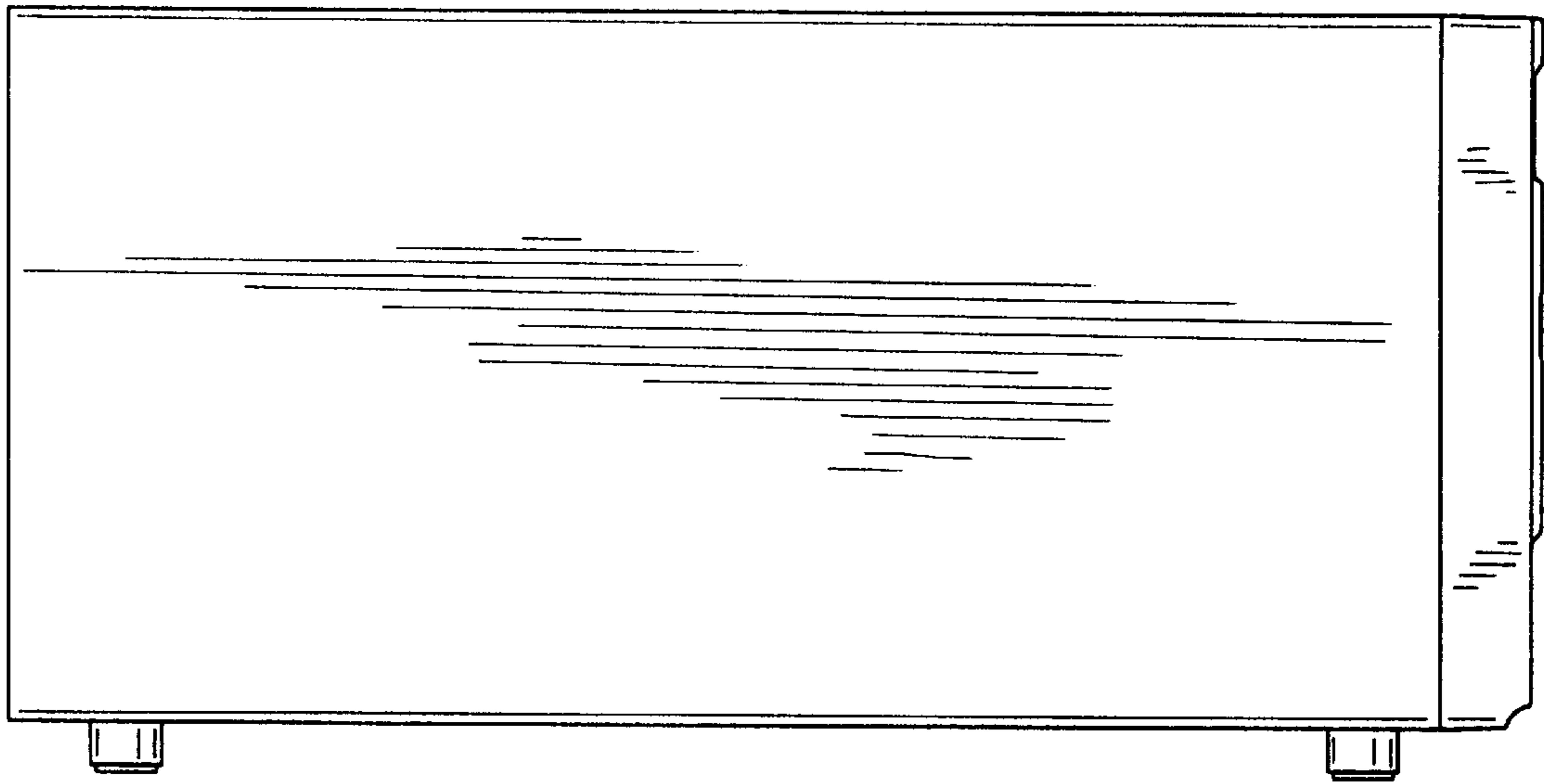


FIG. 5

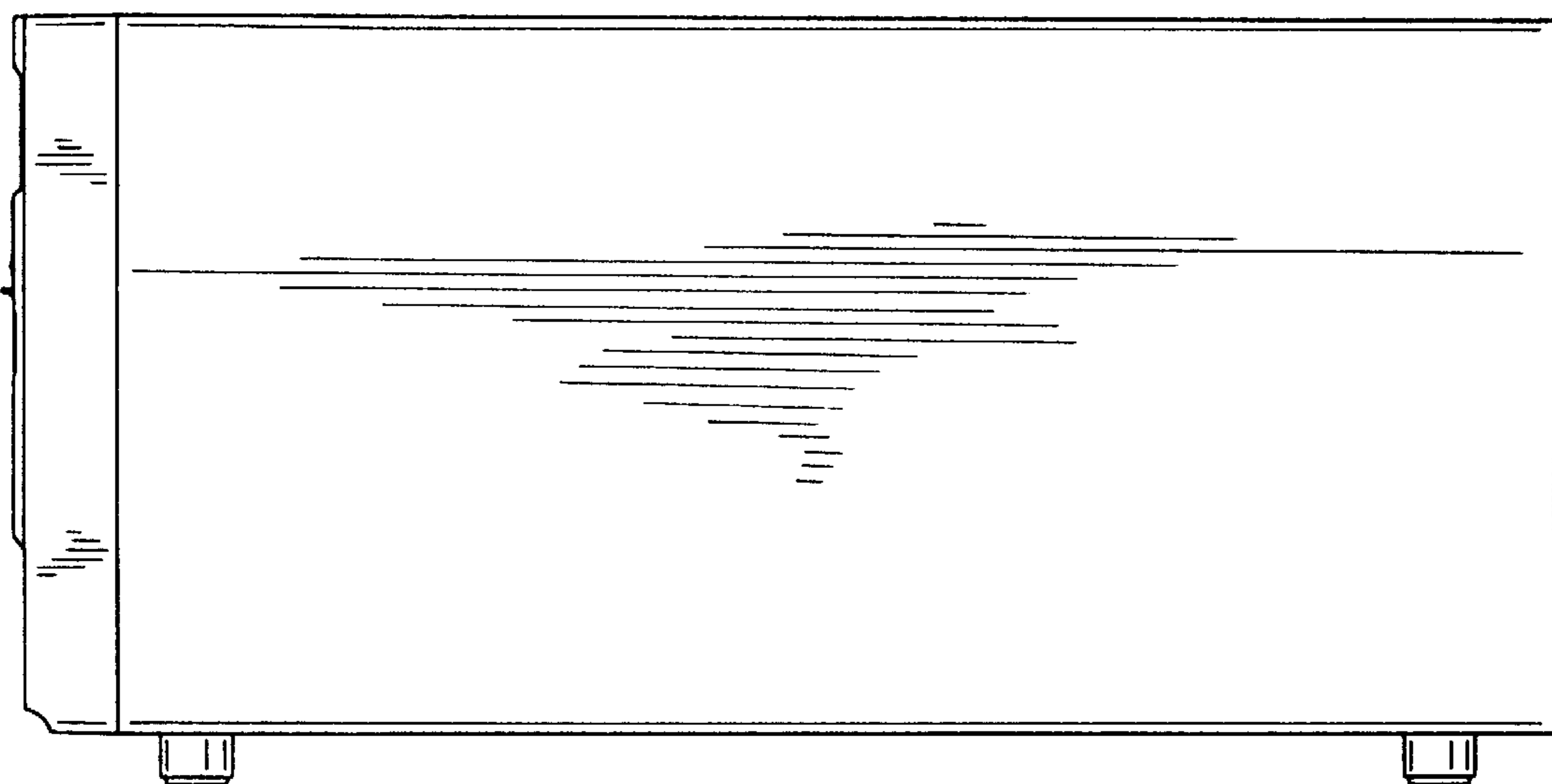


FIG. 7

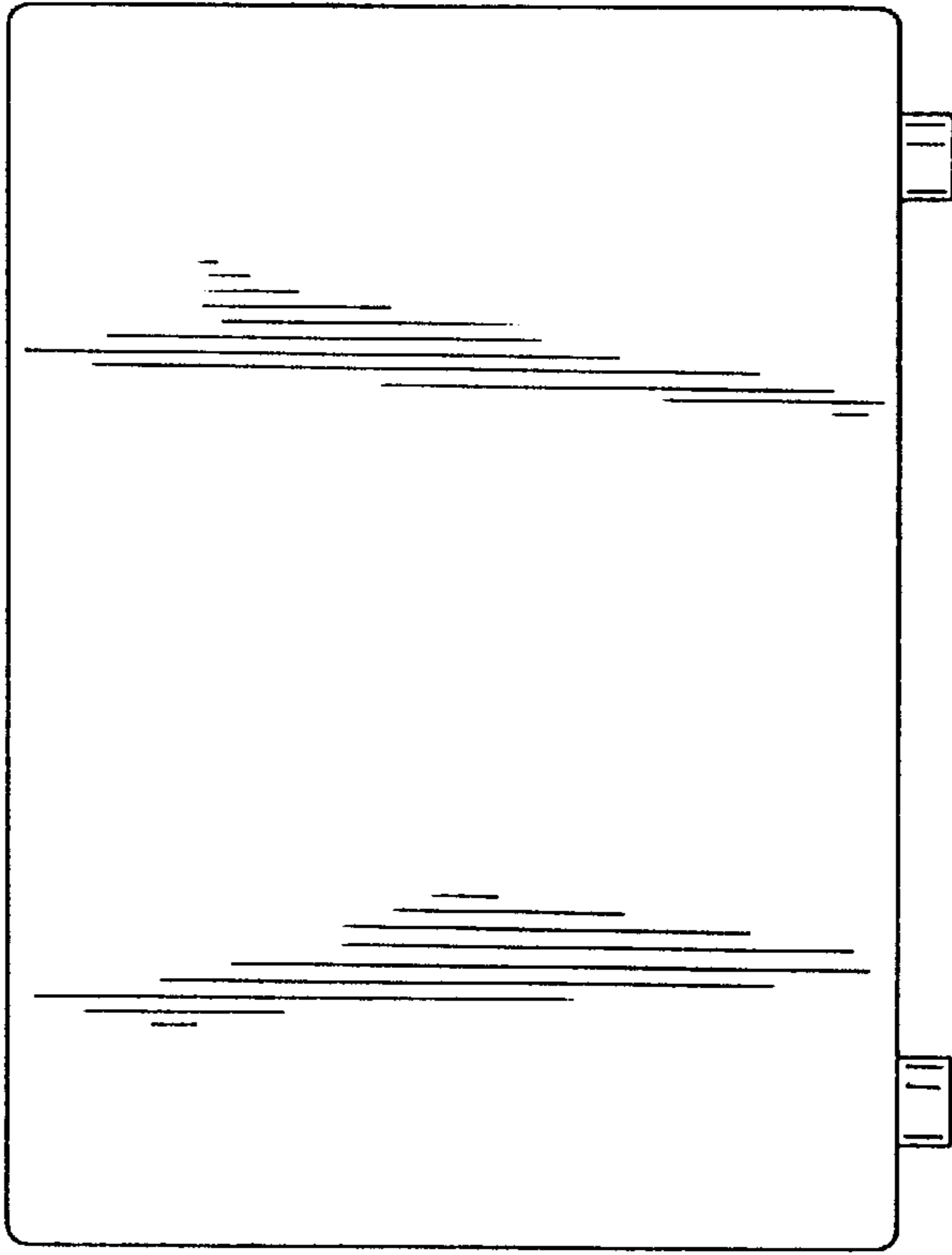


FIG. 6

