



US00D431543S

United States Patent [19]
Yuyama

[11] **Patent Number: Des. 431,543**
[45] **Date of Patent: ** Oct. 3, 2000**

[54] **DISC PLAYER**

[75] Inventor: **Yasuo Yuyama**, Tokyo, Japan

[73] Assignee: **Sony Corporation**, Japan

[**] Term: **14 Years**

[21] Appl. No.: **29/114,366**

[22] Filed: **Nov. 19, 1999**

[51] **LOC (7) Cl.** **14-01**

[52] **U.S. Cl.** **D14/156**

[58] **Field of Search** D14/135, 136,
D14/156, 157, 160, 167, 168; 369/75.1,
75.2, 77.1, 77.2

[56] **References Cited**

U.S. PATENT DOCUMENTS

D. 350,352	9/1994	Tsuge	D14/156
D. 357,014	4/1995	Uehara	D14/156
D. 416,897	11/1999	Ishii et al.	D14/156
5,642,344	6/1997	Yamada et al.	369/77.2

OTHER PUBLICATIONS

Catalog; "92"; Sony; Jul. 1999; p. 62.
Catalog; "Sony Inside No. 8 Spring/Summer 98"; Sony; 1998; p. 23.

Primary Examiner—Nanda Bondade
Attorney, Agent, or Firm—Rader, Fishman & Grauer

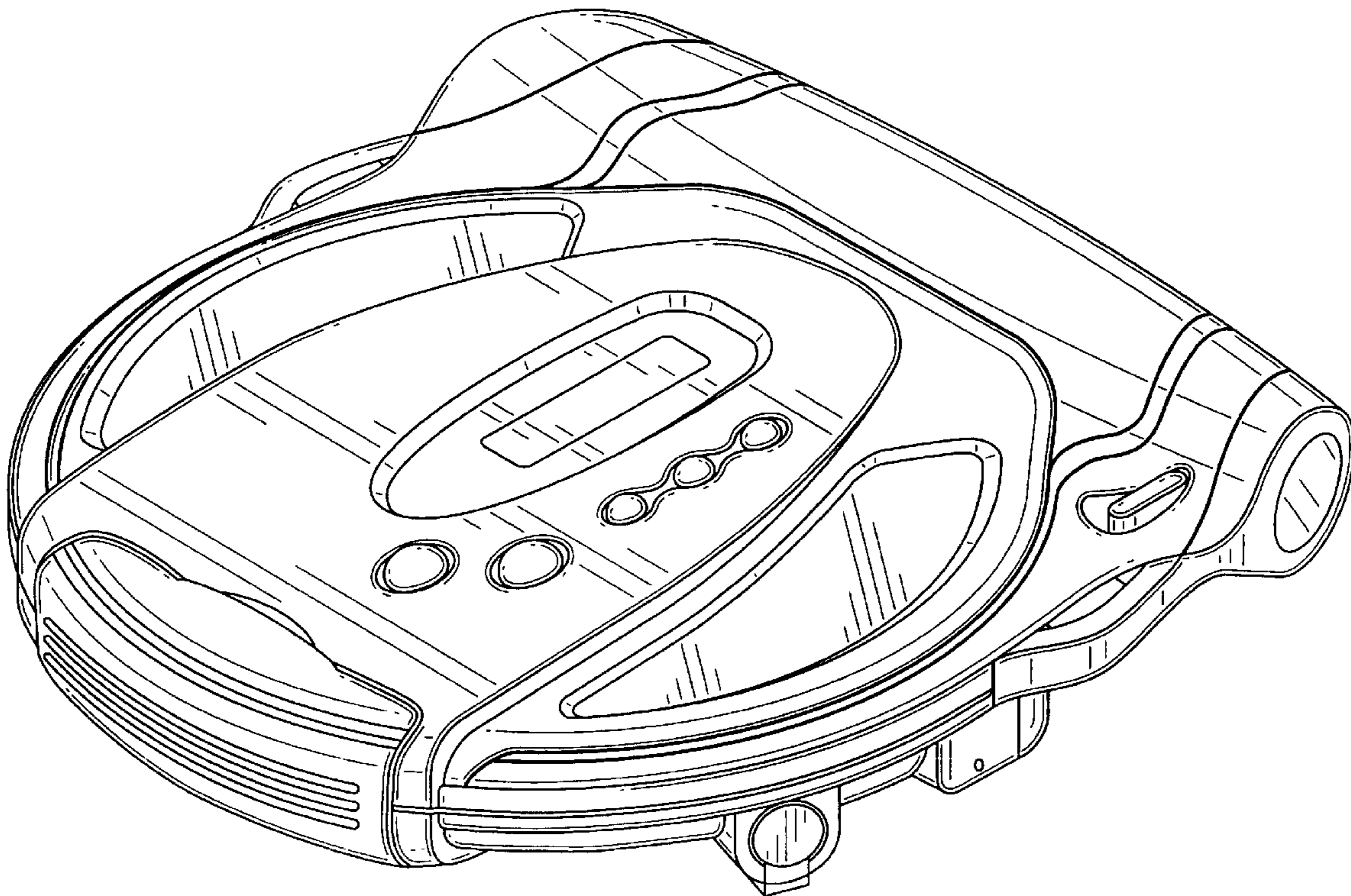
[57] **CLAIM**

The ornamental design for a disc player, as shown and described.

DESCRIPTION

FIG. 1 is a perspective view of a disc player showing my new design;
FIG. 2 is a top plan view thereof;
FIG. 3 is a left side elevational view thereof;
FIG. 4 is a front elevational view thereof;
FIG. 5 is a bottom plan view thereof;
FIG. 6 is a right side elevational view thereof; and,
FIG. 7 is a rear elevational view thereof.

1 Claim, 7 Drawing Sheets



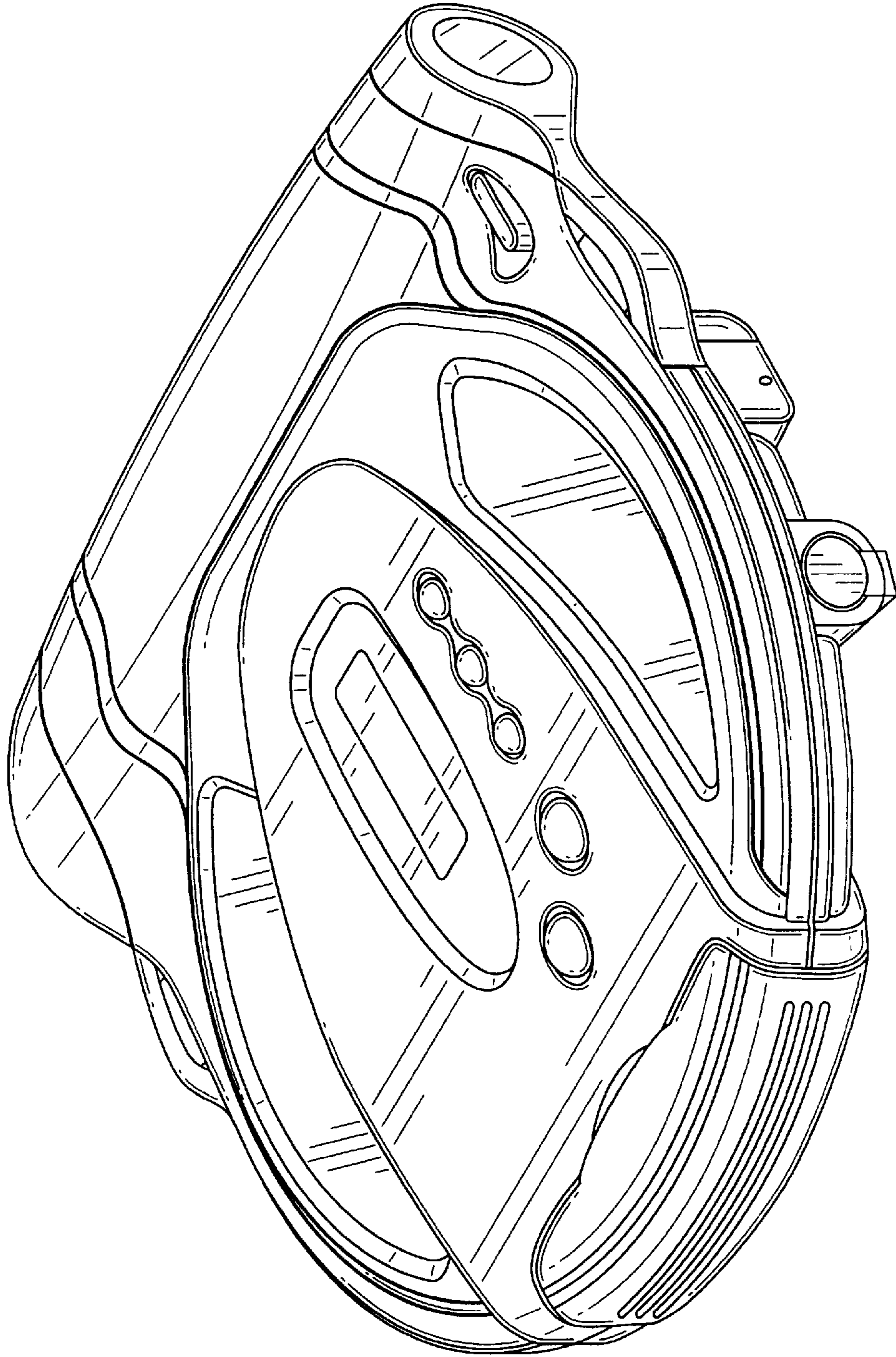


FIG. 1

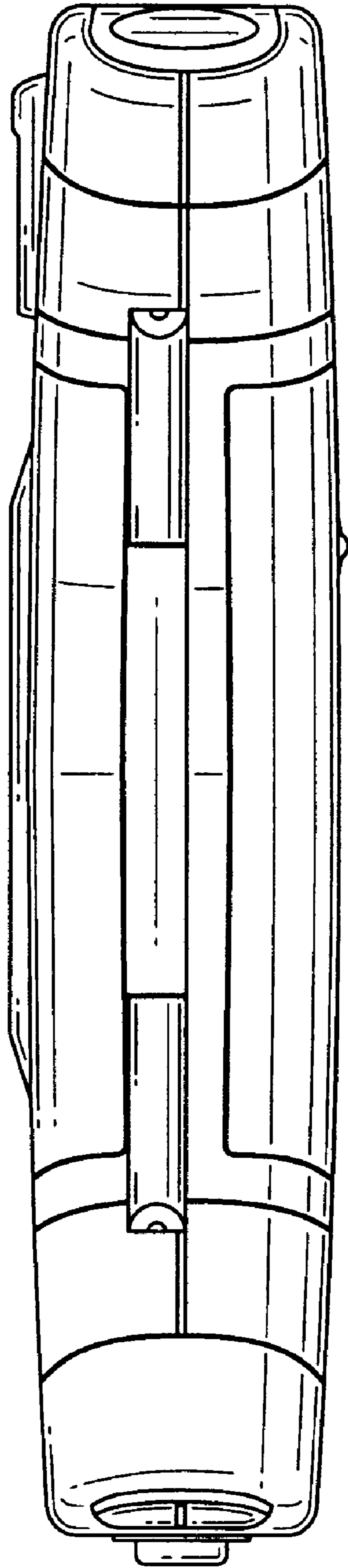


FIG. 2

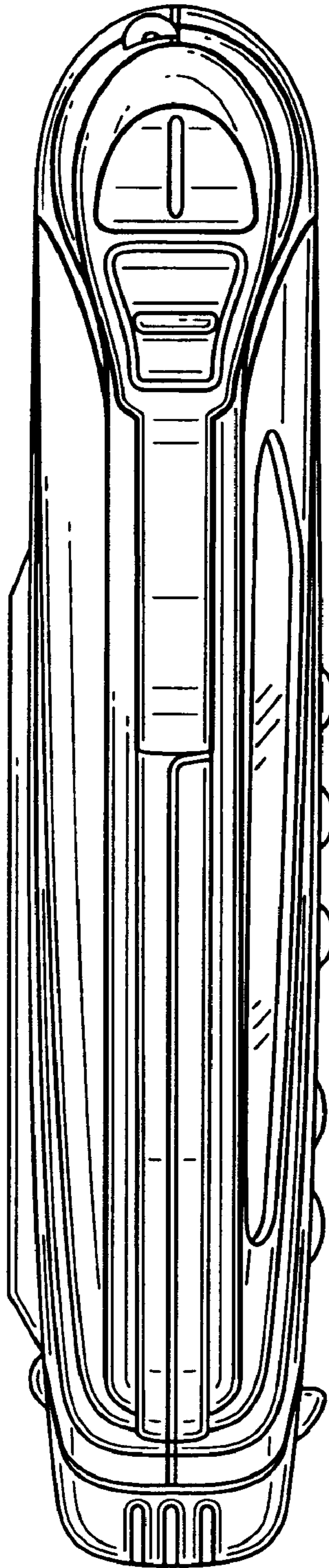


FIG. 3

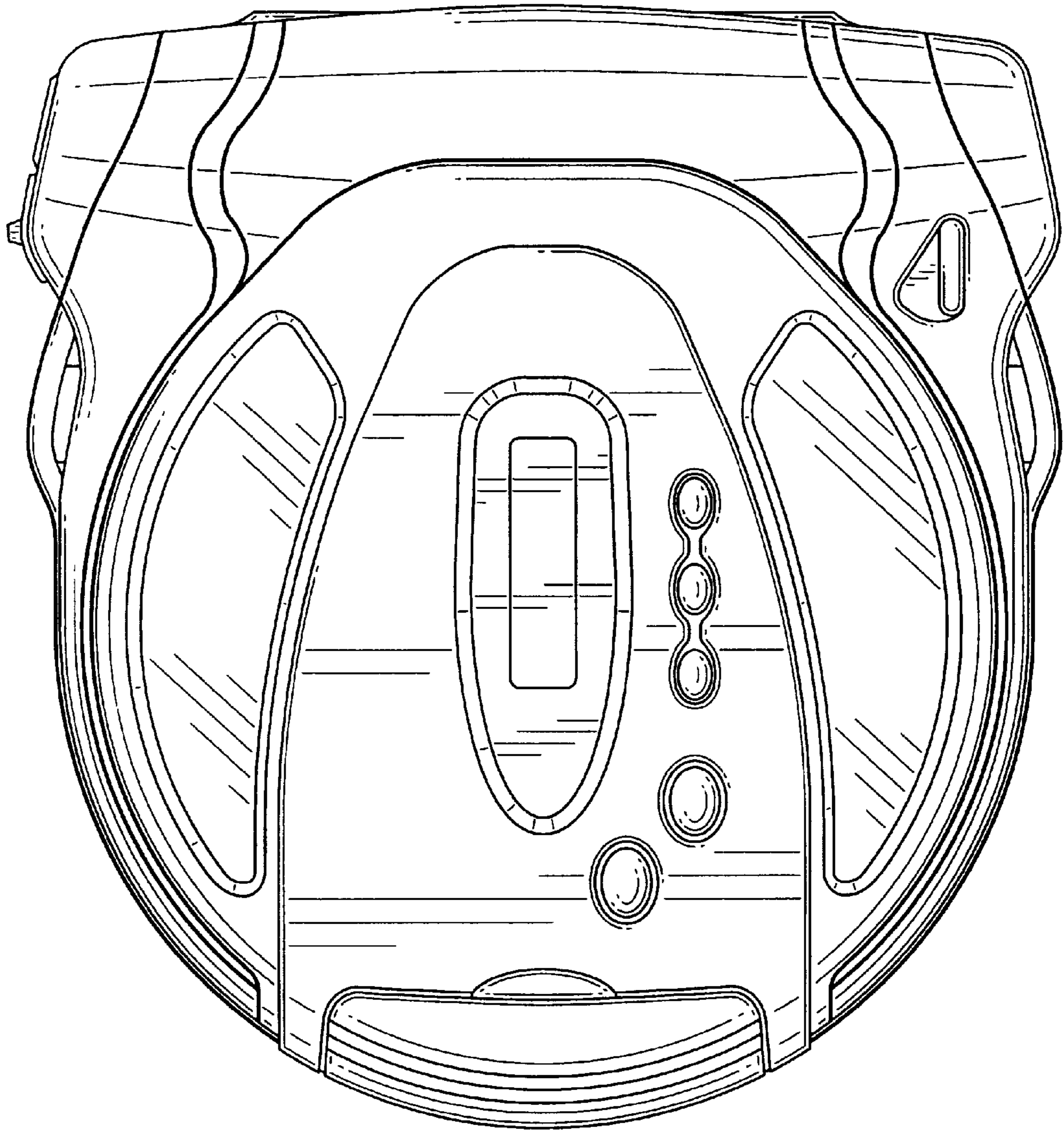


FIG. 4

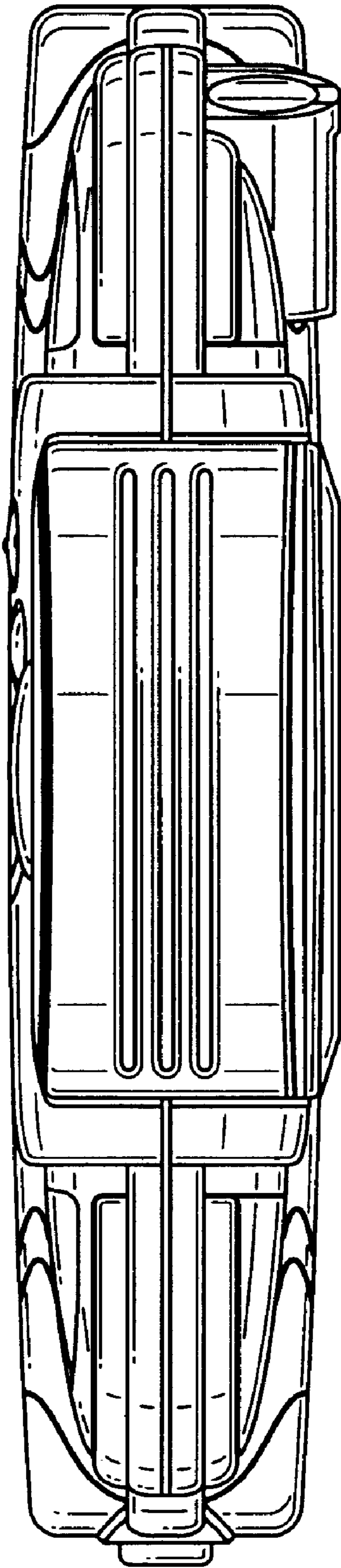


FIG. 5

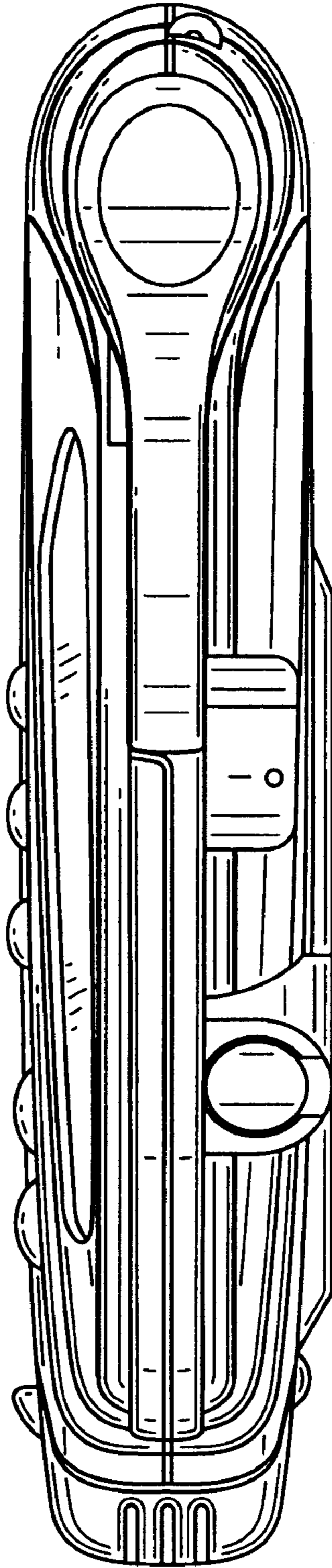


FIG. 6

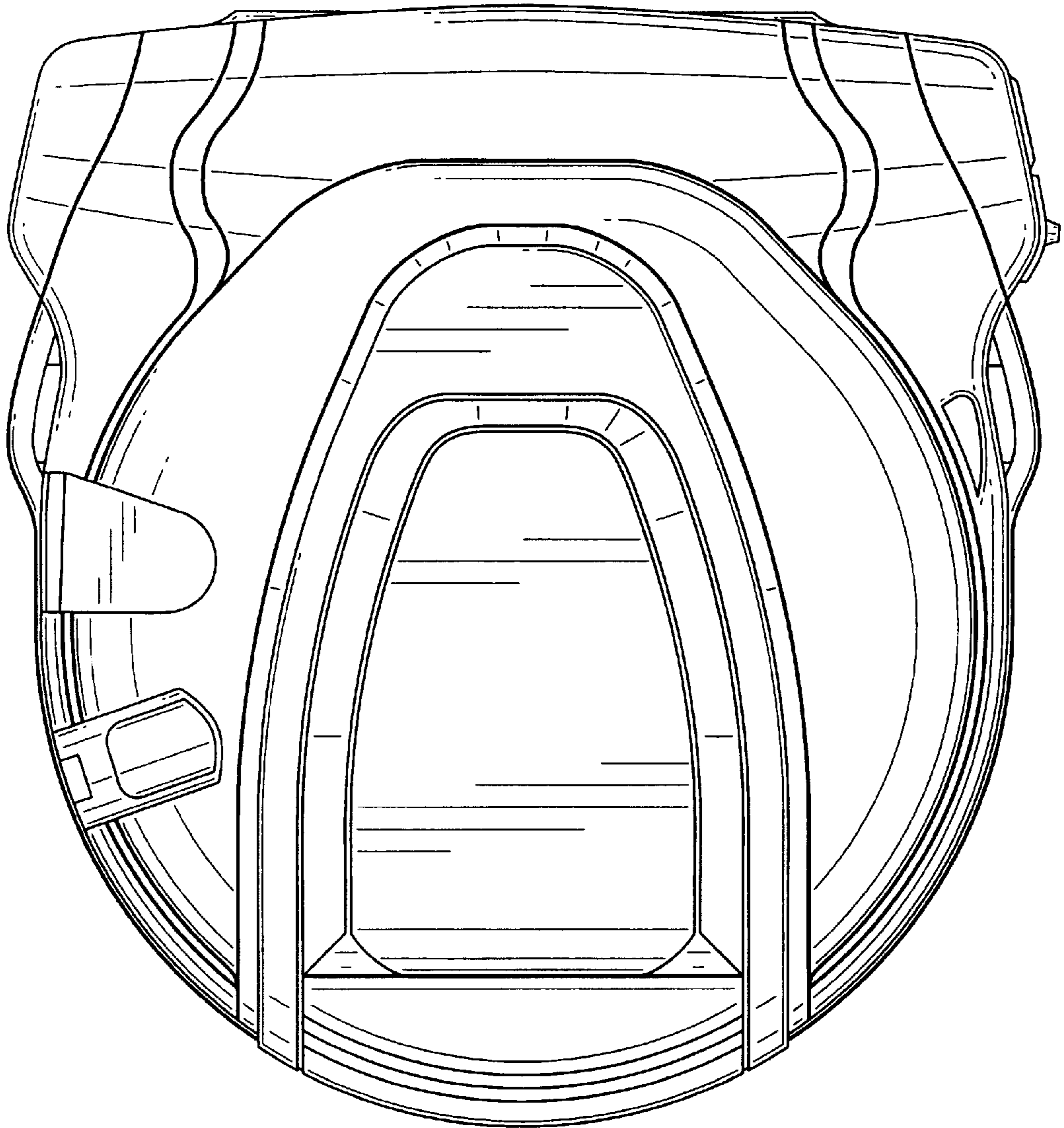


FIG. 7