



US00D431542S

United States Patent [19] Takahashi

[11] Patent Number: Des. 431,542

[45] Date of Patent: ** Oct. 3, 2000

[54] DISC PLAYER

[75] Inventor: Hitoshi Takahashi, Tokyo, Japan

[73] Assignee: Sony Corporation, Japan

[**] Term: 14 Years

[21] Appl. No.: 29/100,983

[22] Filed: Feb. 22, 1999

[51] LOC (7) Cl. 14-01

[52] U.S. Cl. D14/156; D14/136

[58] Field of Search D14/135, 136,
D14/156, 160-162, 167-168, 188, 197-198;
369/75.1, 75.2, 77.1, 77.2

[56] **References Cited**

U.S. PATENT DOCUMENTS

D. 380,756	7/1997	Ohba	D14/168
D. 385,275	10/1997	Ito et al.	D14/156
D. 392,638	3/1998	Ito et al.	D14/156
4,695,996	9/1987	Sugihara et al.	369/77.1
5,177,730	1/1993	Utsugi	369/75.1

OTHER PUBLICATIONS

Catalog "90", p. 122, Sony (Nov. 1998).

Primary Examiner—Nanda Bondade

Attorney, Agent, or Firm—Rader, Fishman & Grauer

[57] CLAIM

The ornamental design for a disc player, as shown and described.

DESCRIPTION

FIG. 1 is a perspective view of a disc player showing my new design;

FIG. 2 is a top plan view thereof;

FIG. 3 is a bottom plan view thereof;

FIG. 4 is a left side elevational view thereof;

FIG. 5 is a right side elevational view thereof;

FIG. 6 is a front elevational view thereof;

FIG. 7 is a rear elevational view thereof.

FIG. 8 is another perspective view thereof, wherein the disc tray portion is in the open position; and,

FIG. 9 is yet another perspective view thereof, wherein the lower lid portion is in the open position. The portions in broken lines in FIGS. 8 and 9 are for illustrative purposes only and form no part of claimed design.

1 Claim, 6 Drawing Sheets

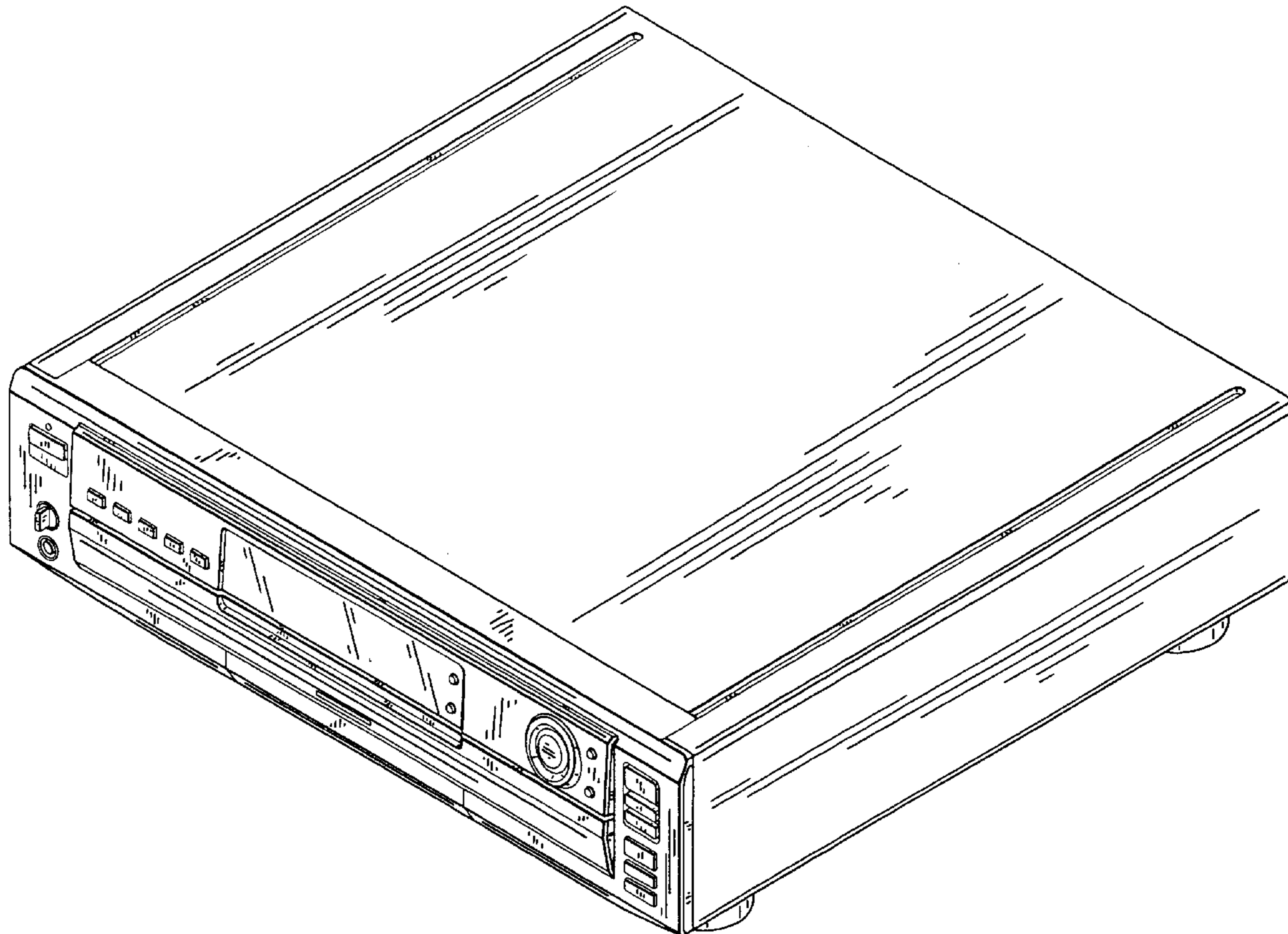


FIG. 1

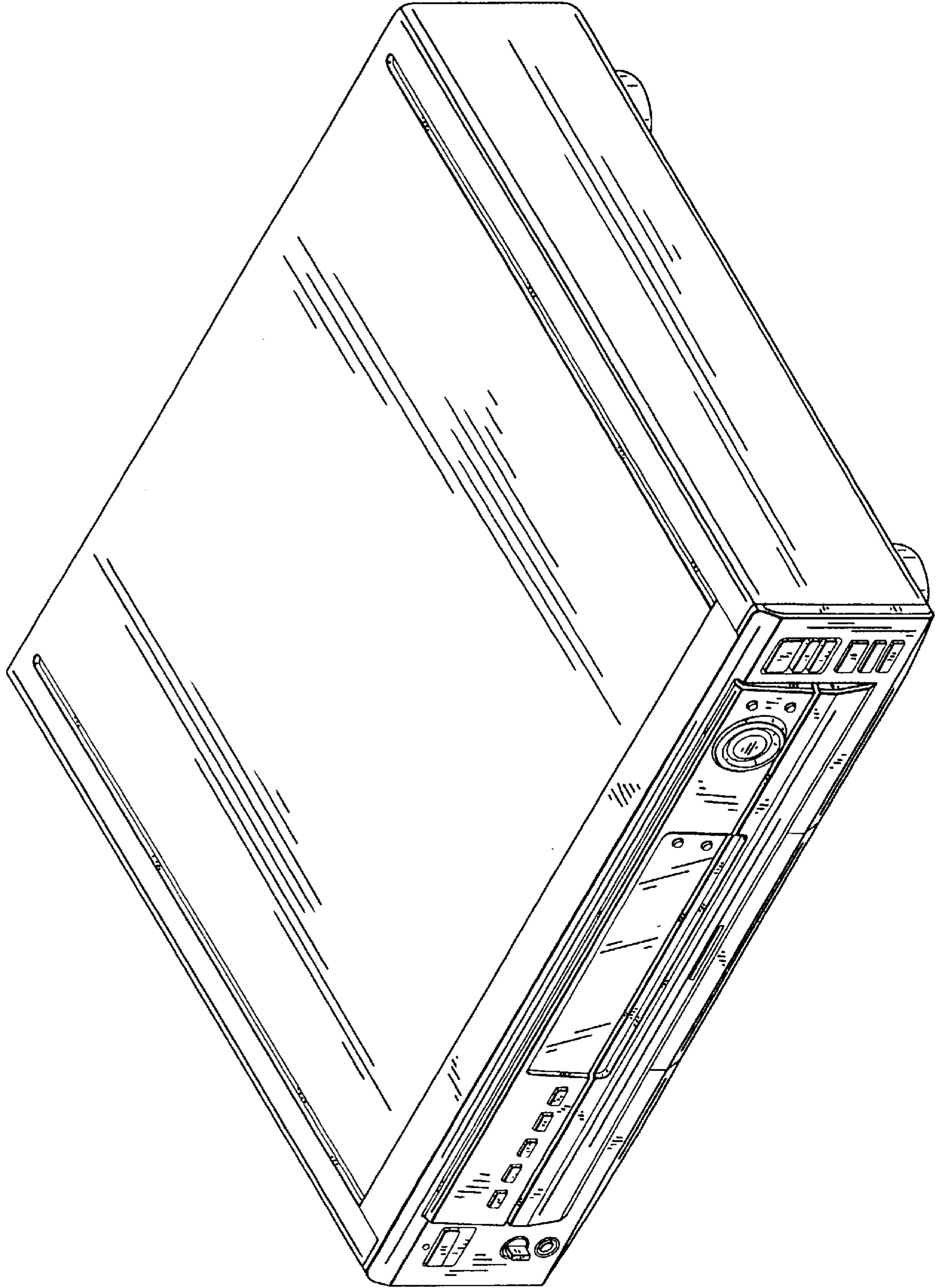


FIG. 2

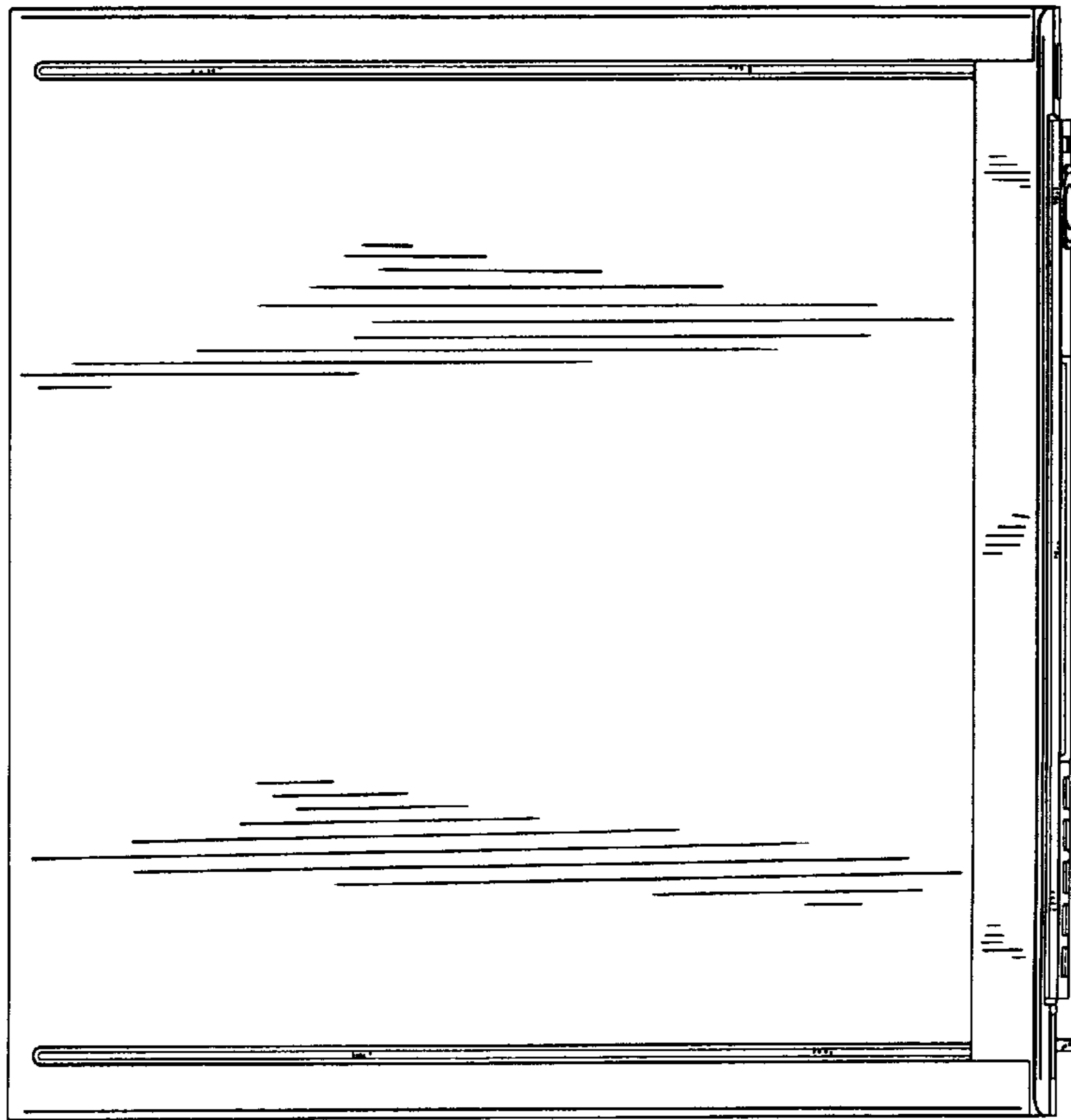


FIG. 3

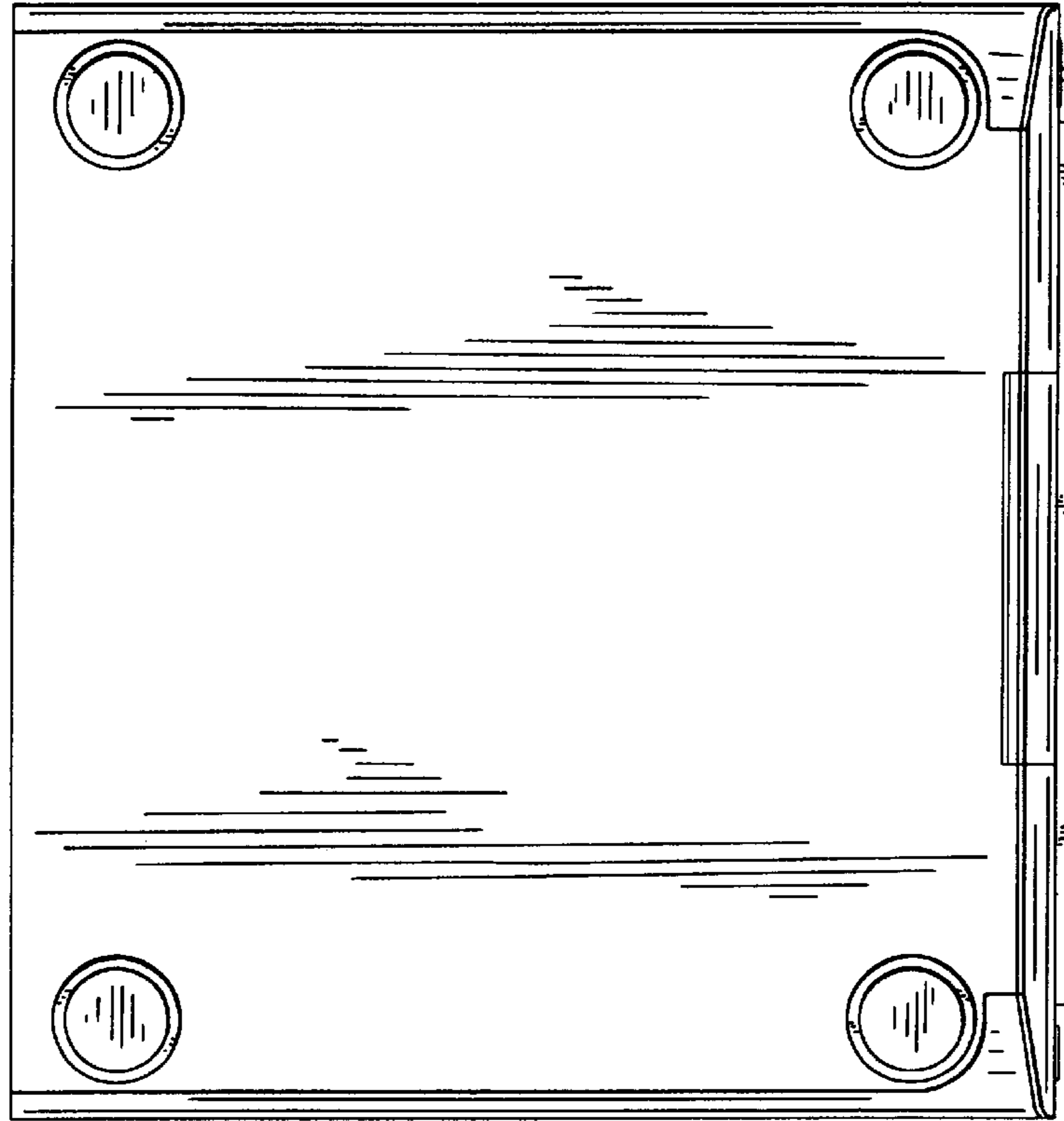


FIG. 5

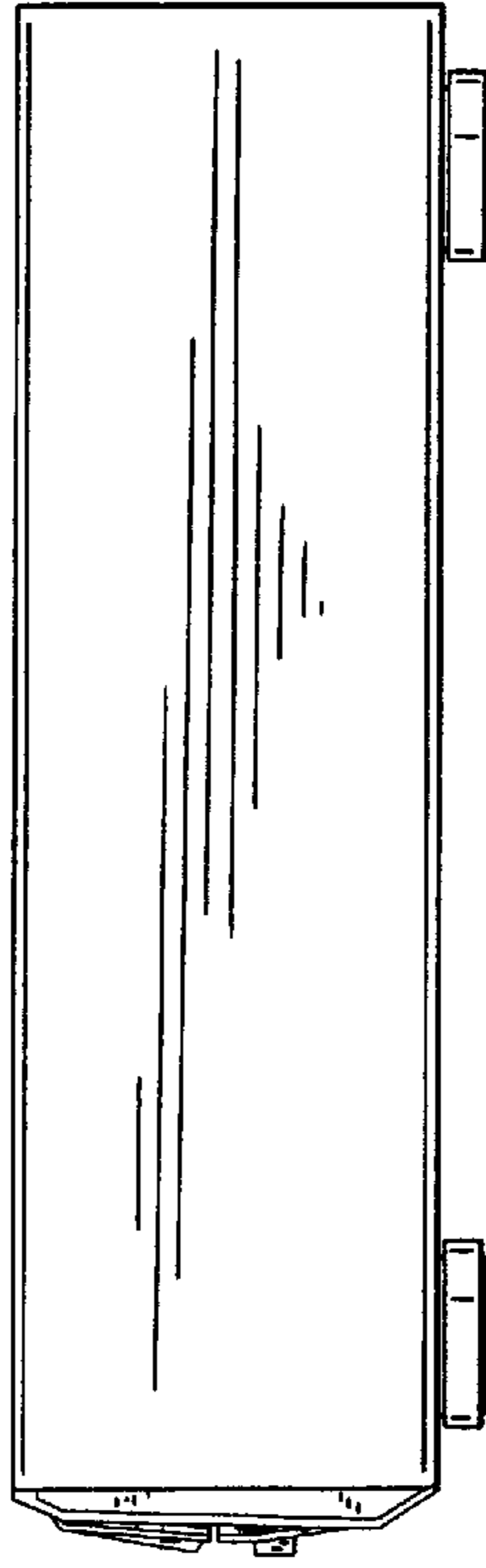


FIG. 4

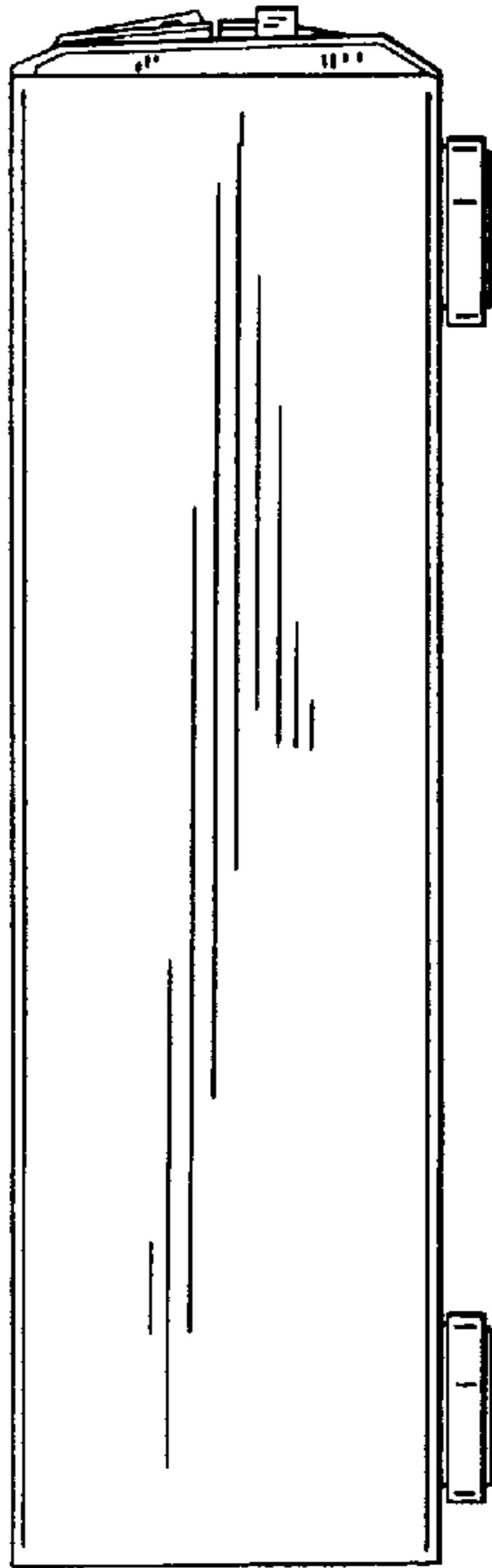


FIG. 7

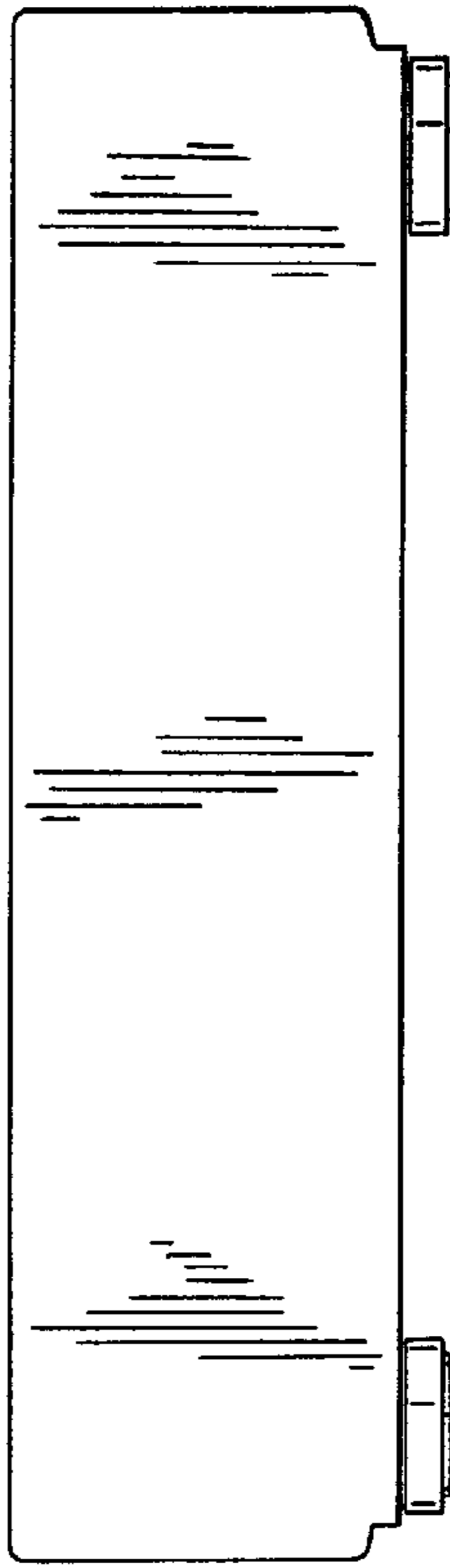


FIG. 6

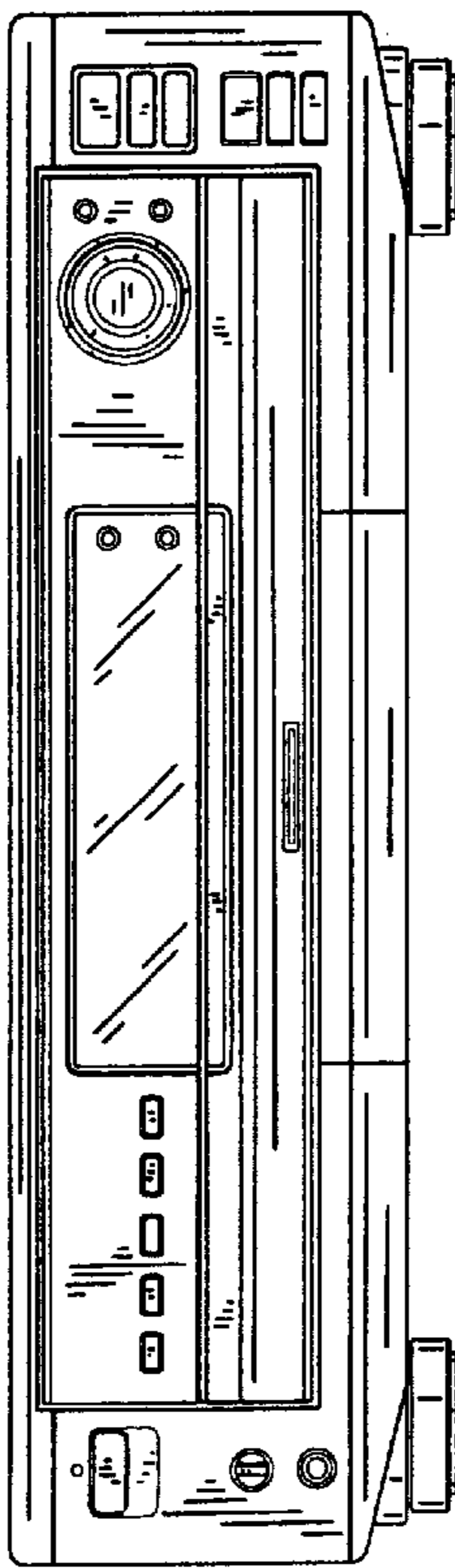


FIG. 8

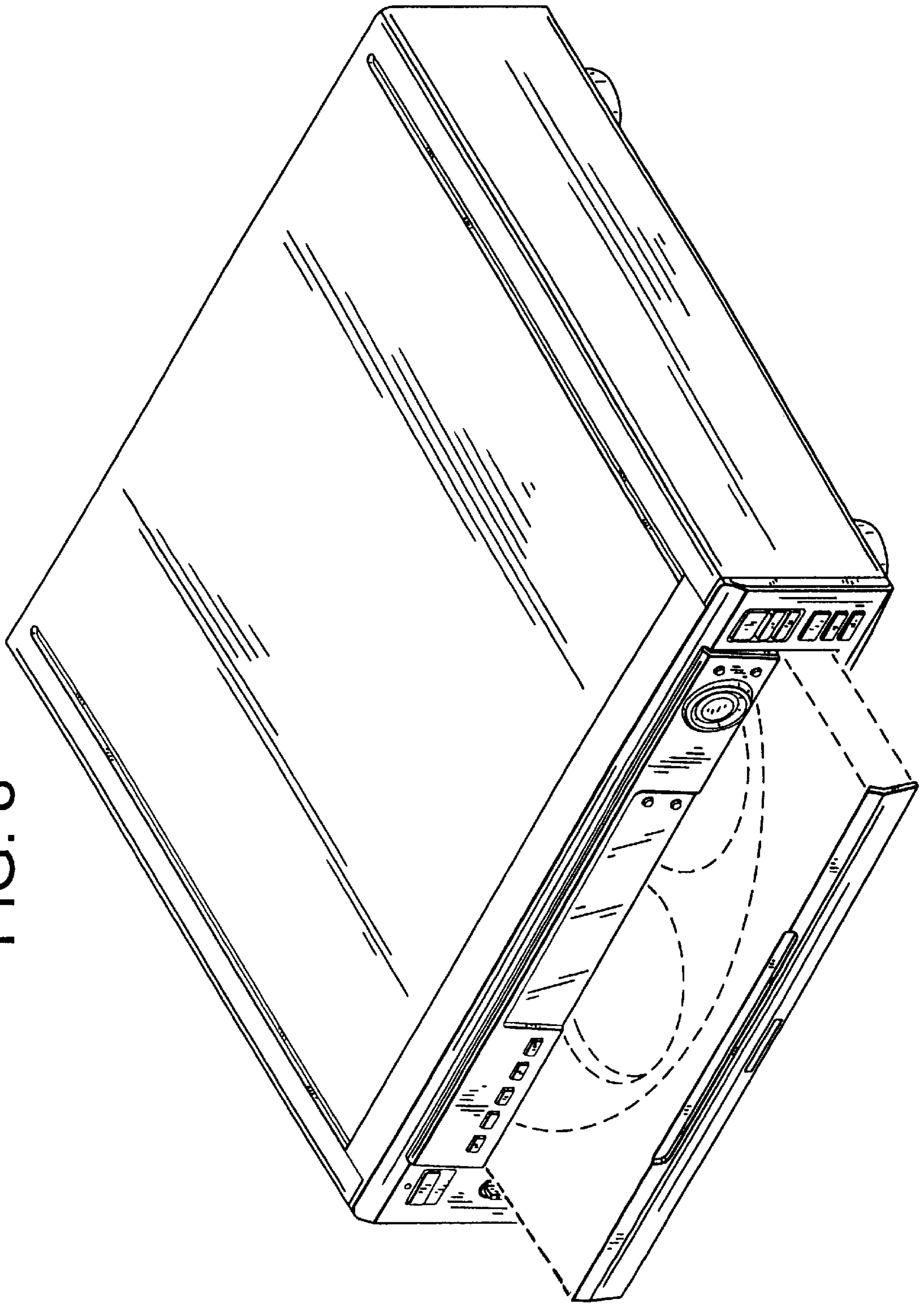


FIG. 9

