



US00D431537S

# United States Patent [19]

Saeki et al.

[11] Patent Number: **Des. 431,537**

[45] Date of Patent: **\*\* Oct. 3, 2000**

[54] TELEVISION SET

[75] Inventors: **Taisuke Saeki; Harumi Sakamoto; Hiroyuki Mitsui; Kohichi Iida**, all of Tochigi-ken, Japan

[73] Assignee: **Sharp Kabushiki Kaisha**, Osaka, Japan

[\*\*] Term: **14 Years**

[21] Appl. No.: **29/106,857**

[22] Filed: **Jun. 24, 1999**

### [30] Foreign Application Priority Data

Dec. 24, 1998 [JP] Japan ..... 10-37714

[51] LOC (7) Cl. .... **14-03**

[52] U.S. Cl. .... **D14/126; D14/113**

[58] Field of Search ..... D14/113, 126-134; 312/7.2; 348/836, 838

### [56] References Cited

#### U.S. PATENT DOCUMENTS

- D. 321,346 11/1991 Sugiyama ..... D14/129
- D. 336,645 6/1993 Saito et al. .
- D. 337,113 7/1993 Saito et al. .
- D. 342,497 12/1993 Saito et al. .
- D. 342,501 12/1993 Saeki et al. .

- D. 342,509 12/1993 Saito et al. .
- D. 351,155 10/1994 Usami et al. .
- D. 357,244 4/1995 Usami et al. .
- D. 357,245 4/1995 Usami et al. .
- D. 357,472 4/1995 Usami et al. .
- D. 369,596 5/1996 Akiyama et al. .
- D. 372,026 7/1996 Akiyama et al. .
- D. 392,628 3/1998 Hayashi ..... D14/113
- D. 393,462 4/1998 Morimiya ..... D14/126
- D. 417,659 12/1999 Takemasa ..... D14/113

*Primary Examiner*—Richelle Shelton  
*Attorney, Agent, or Firm*—Nixon & Vanderhye

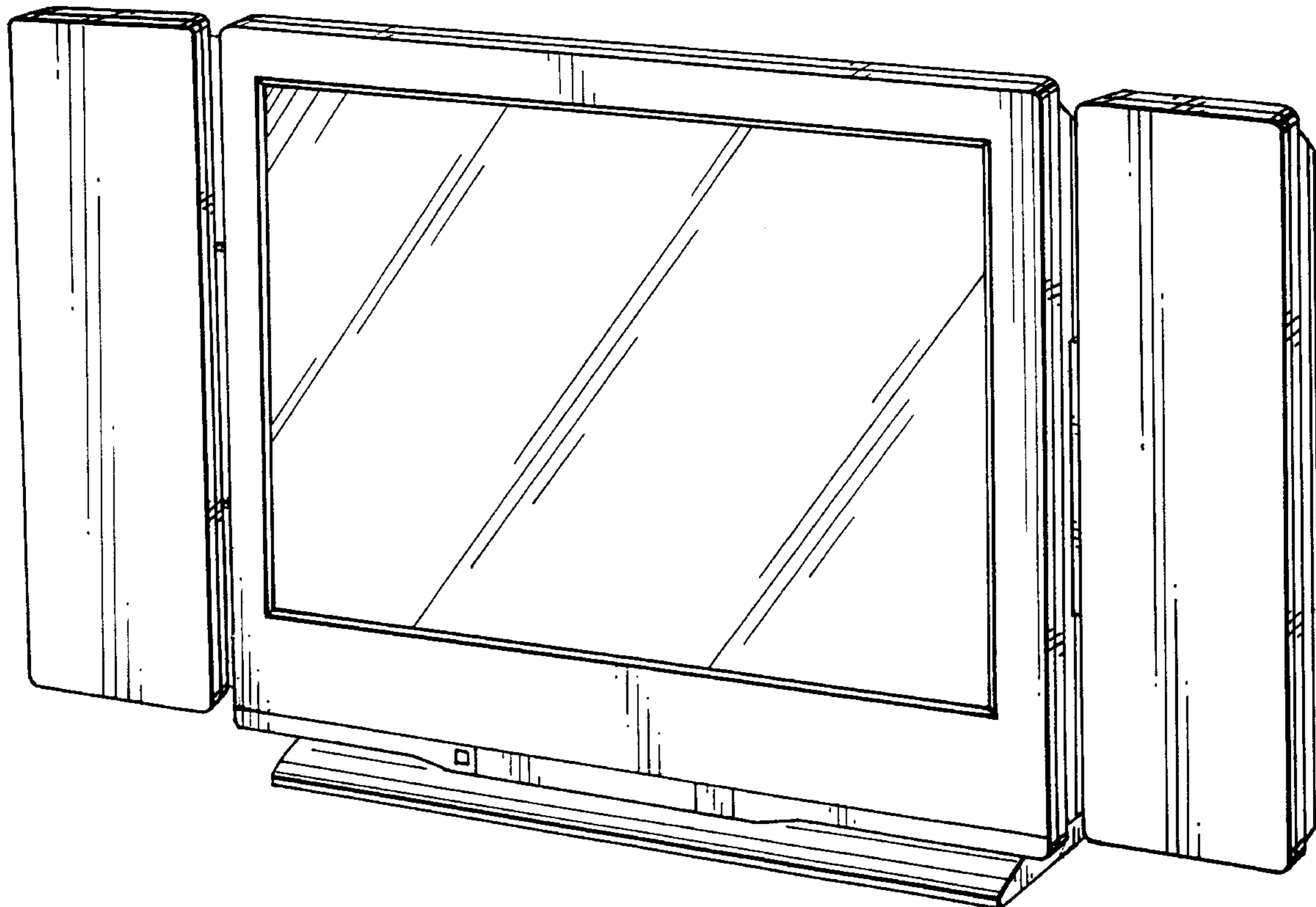
### [57] CLAIM

The ornamental design for a television set, as shown and described.

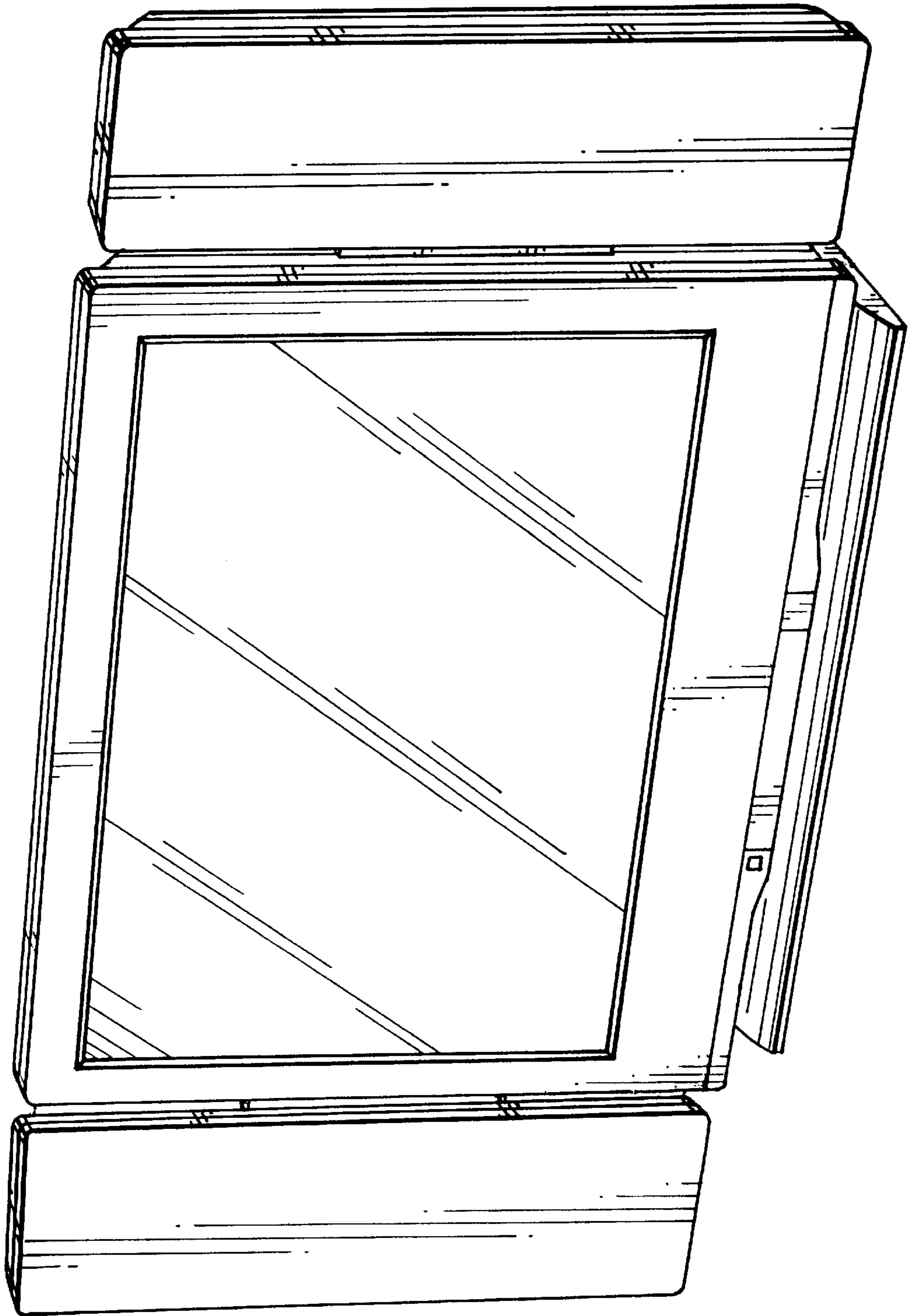
### DESCRIPTION

FIG. 1 is a top, front and right side perspective view of a television set according to our design;  
FIG. 2 is a top plan view thereof;  
FIG. 3 is a front elevational view thereof;  
FIG. 4 is a right side elevational view thereof, the left side elevational view being a mirror-image thereof;  
FIG. 5 is a rear elevational view thereof; and,  
FIG. 6 is a bottom plan view thereof.

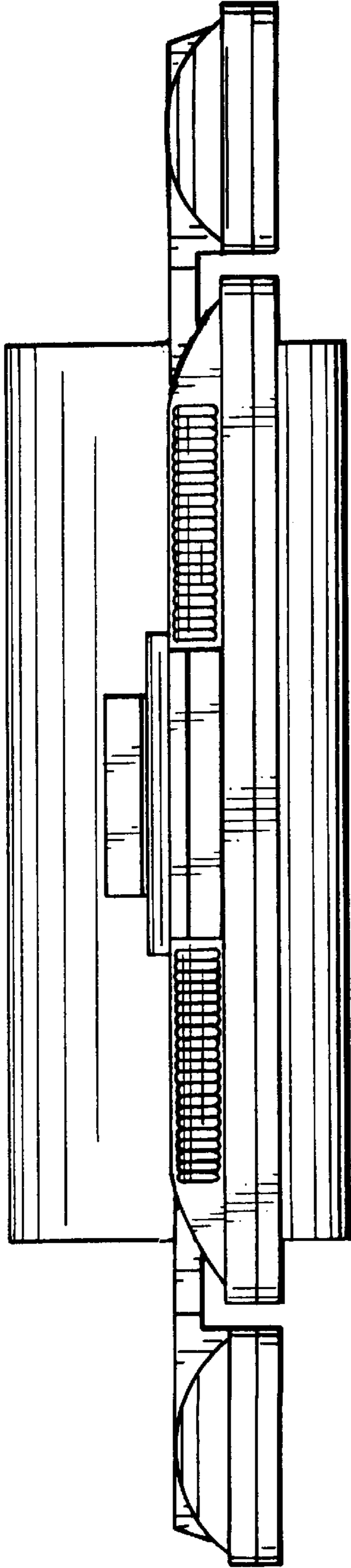
**1 Claim, 5 Drawing Sheets**



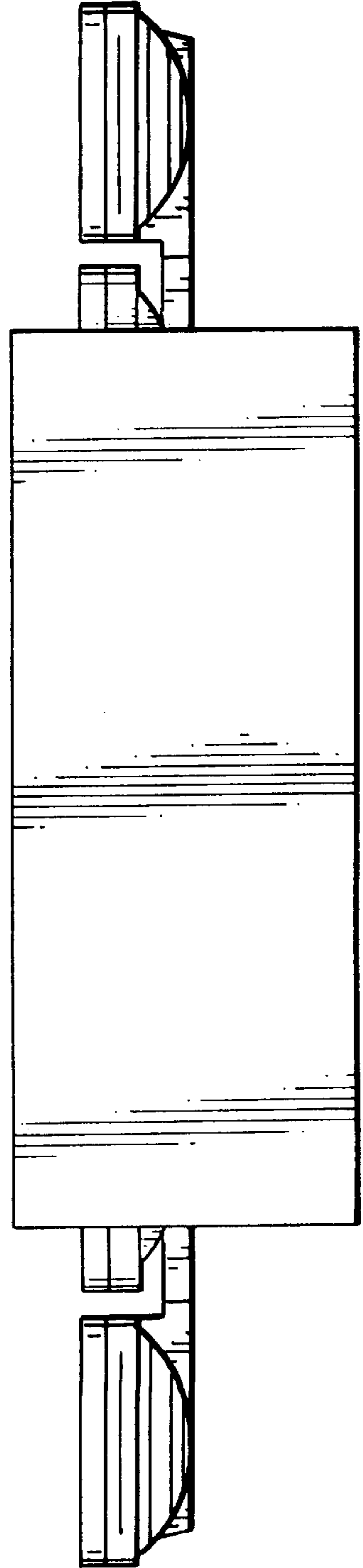
**FIG. 1**



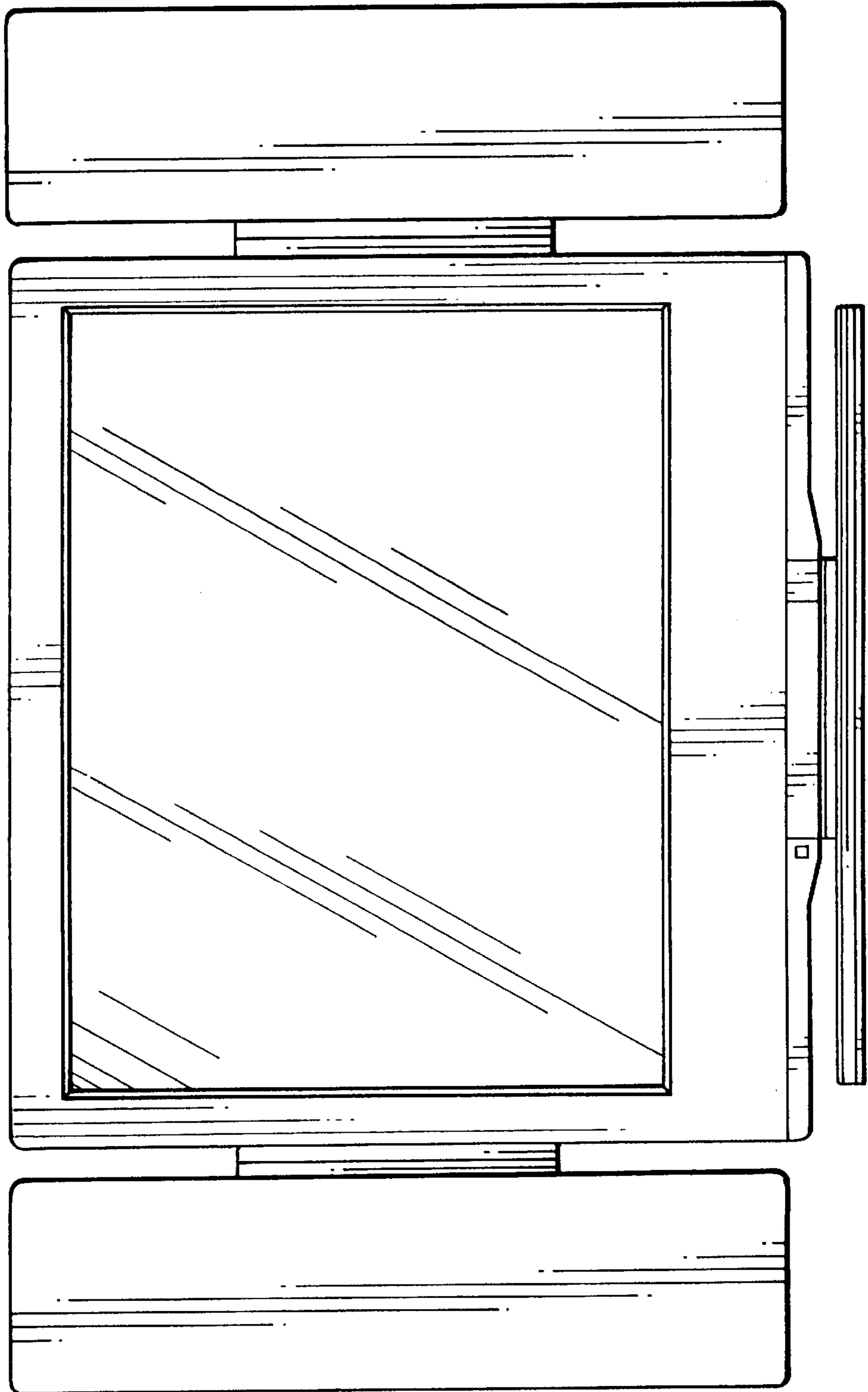
*FIG. 2*



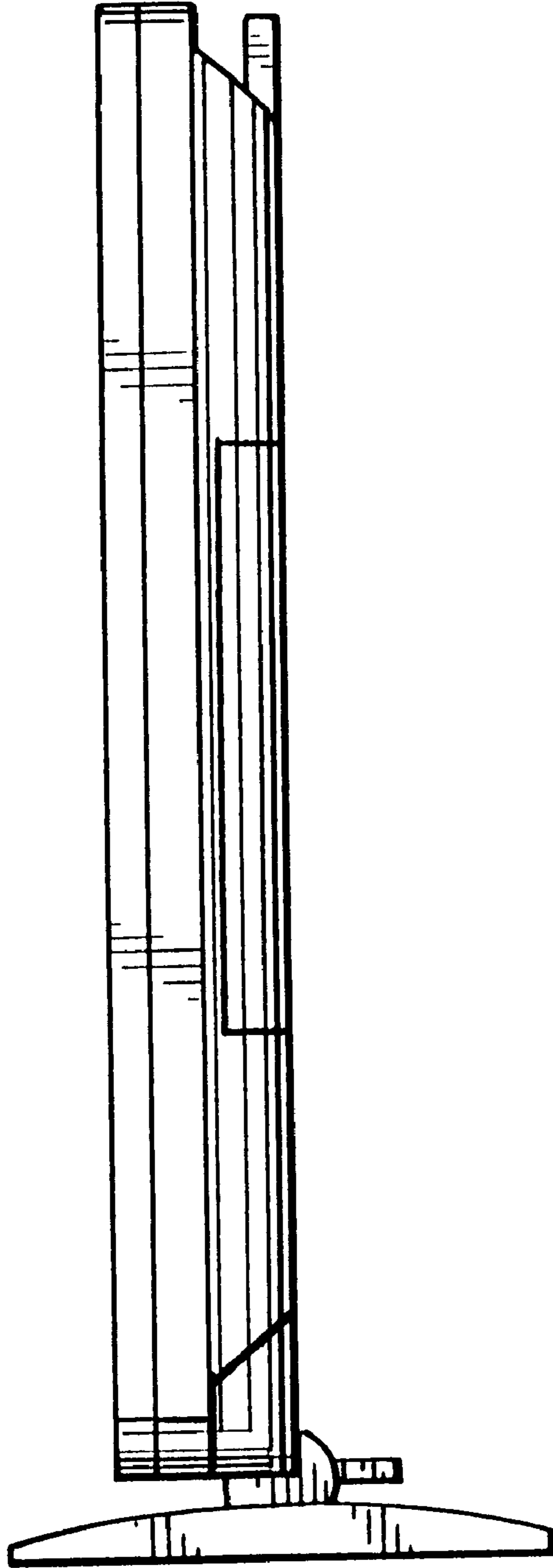
*FIG. 6*



**FIG. 3**



***FIG. 4***



**FIG. 5**

