



US00D431536S

United States Patent [19]

Feasey

[11] Patent Number: Des. 431,536

[45] Date of Patent: ** Oct. 3, 2000

[54] ADJUSTABLE FLEXIBLE VIDEO MONITOR ANTI-GLARE AND DESATURATON HOOD

[76] Inventor: Michael F. Feasey, 701 Calle Cumbre, San Clemente, Calif. 92673

[**] Term: 14 Years

[21] Appl. No.: 29/100,146

[22] Filed: Feb. 5, 1999

[51] LOC (7) Cl. 13-02

[52] U.S. Cl. D14/114; D14/239

[58] Field of Search D14/100, 113, D14/114, 239; 348/373, 834, 842, 150; 359/601, 609, 612; D16/136; 2/12

[56] References Cited

U.S. PATENT DOCUMENTS

D. 236,031	7/1975	Aimo	D16/136
D. 305,648	1/1990	Edington .		
D. 379,178	5/1997	Kane .		
D. 385,543	10/1997	Phirippidis .		
3,329,770	7/1967	Rose	348/818
3,541,256	11/1970	Anders	348/150
4,444,465	4/1984	Giulie	359/601
5,005,949	4/1991	Egawa et al.	359/601
5,115,345	5/1992	Hobson .		
5,233,468	8/1993	McNulty .		
5,589,985	12/1996	Heller et al.	359/608

5,818,635 10/1998 Hohn et al. 359/612

Primary Examiner—Paula A. Mortimer

[57] CLAIM

The ornamental design for a adjustable flexible video monitor anti-glare and desaturation hood, as shown and described.

DESCRIPTION

FIG. 1 is a front perspective view of an adjustable flexible video monitor anti-glare and desaturation hood showing my new design;

FIG. 2 is a rear contracted perspective view thereof;

FIG. 3 is a front expanded alternate perspective view thereof;

FIG. 4 is a rear expanded alternate perspective view thereof;

FIG. 5 is a folded top alternative plan view thereof;

FIG. 6 is a folded front alternative plan view thereof;

FIG. 7 is a folded bottom alternative plan view thereof;

FIG. 8 is a folded front alternative plan view thereof;

FIG. 9 is a front elevational thereof;

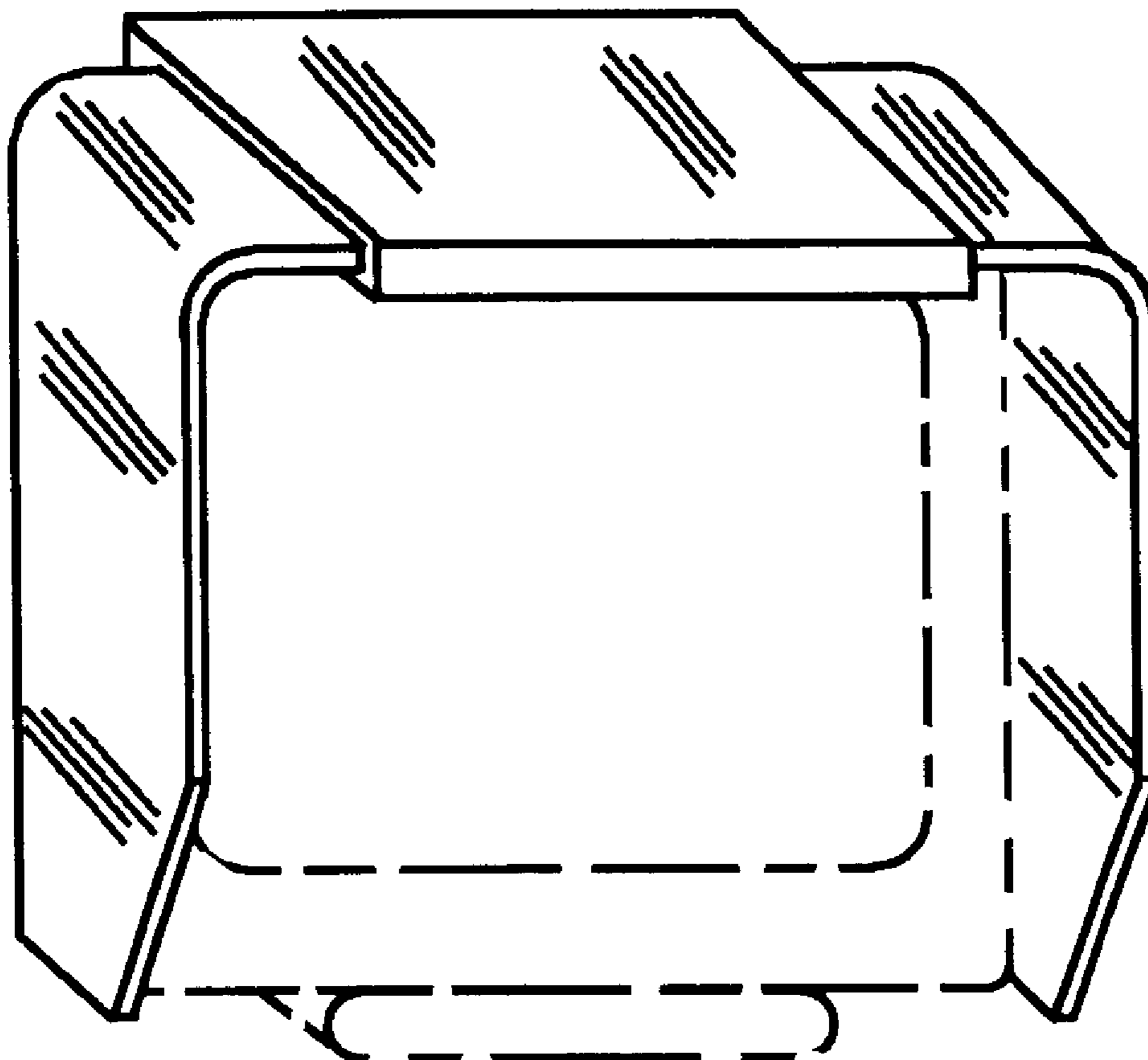
FIG. 10 is a top plan view thereof;

FIG. 11 is a left side elevational view thereof; and,

FIG. 12 is a right side elevational view thereof.

The broken line showing of the monitor in FIGS. 1,2,3,4 is for illustrative purposes only and forms no part of the claimed design.

1 Claim, 3 Drawing Sheets



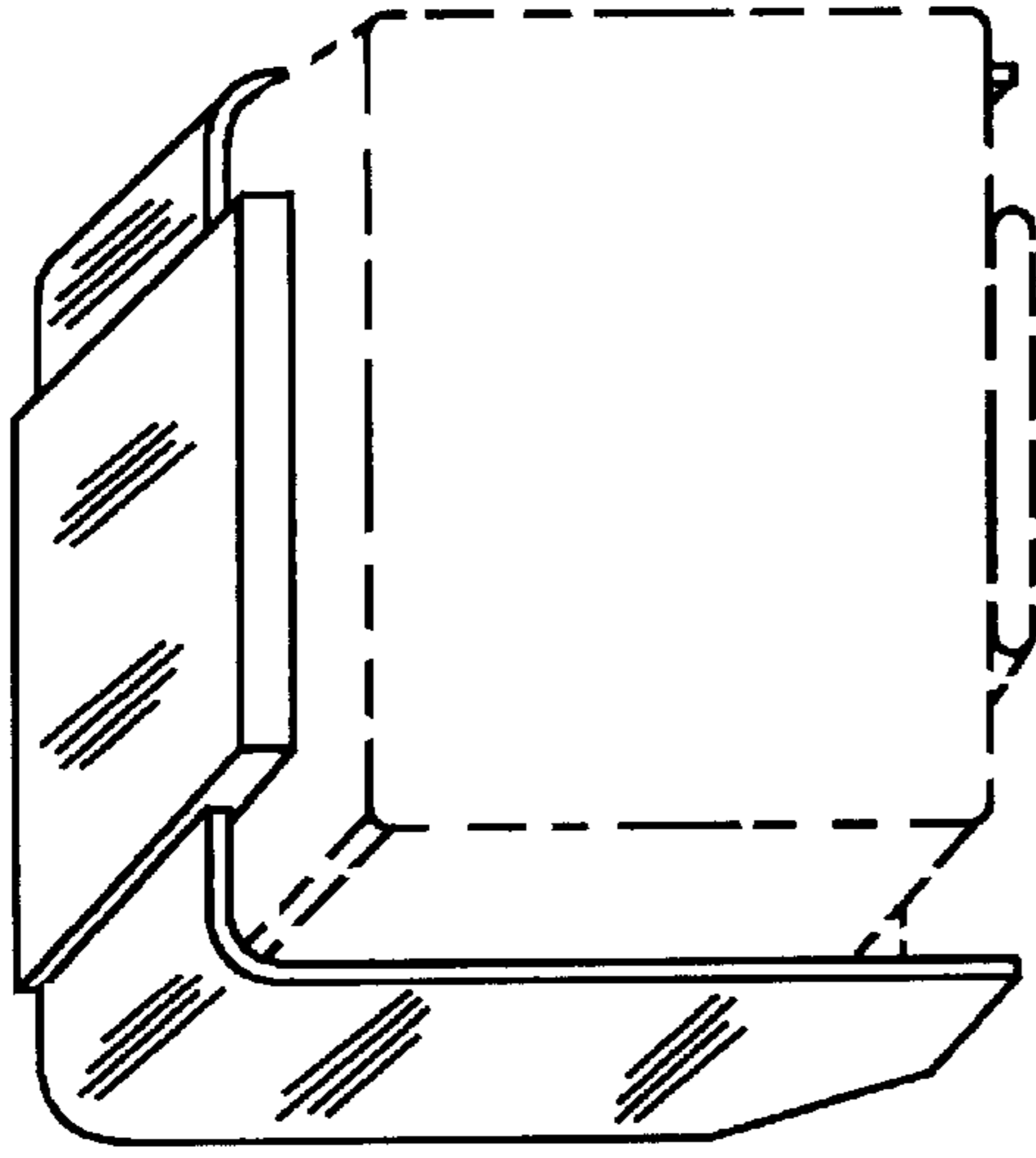


Fig. 2

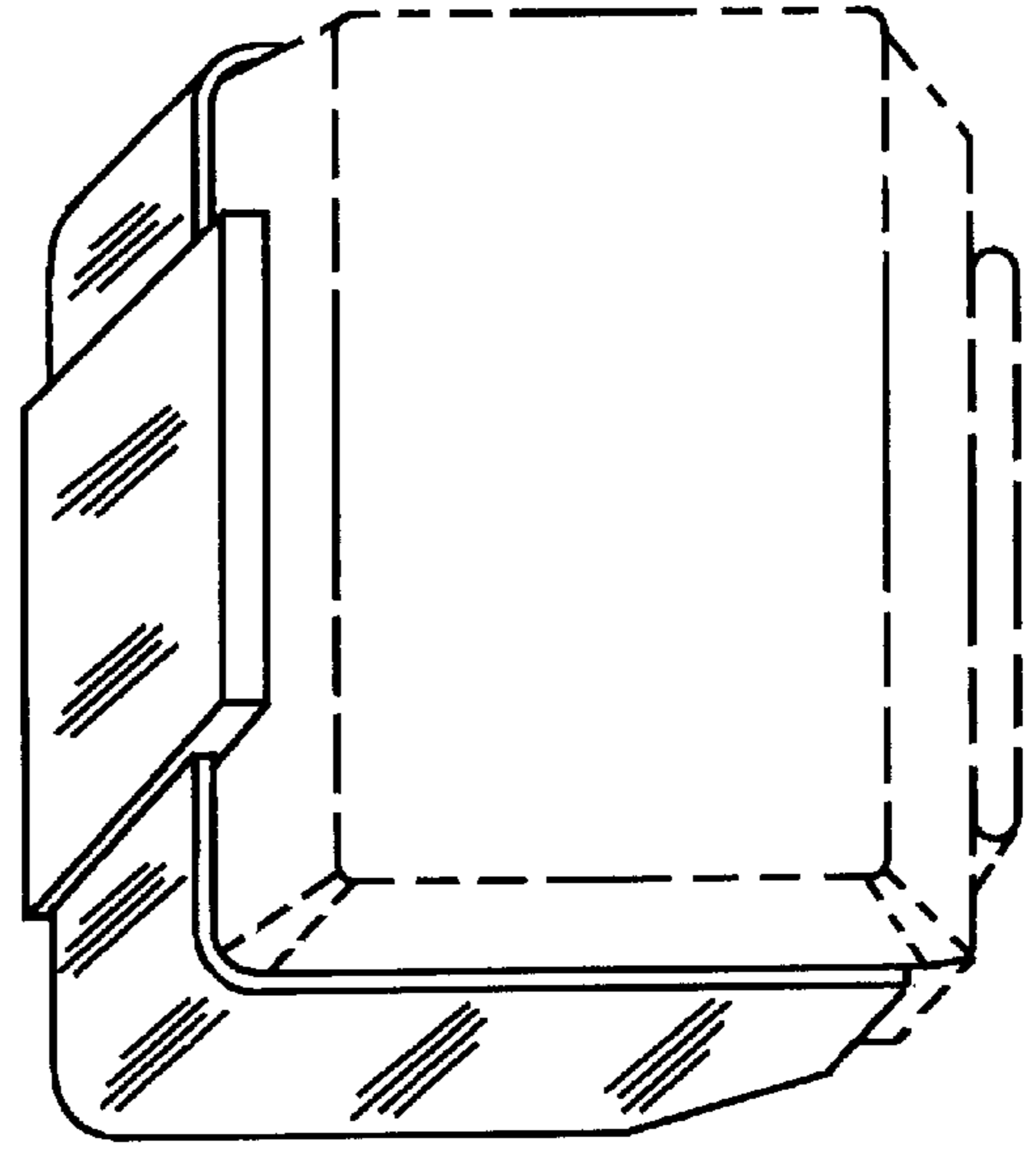


Fig. 4

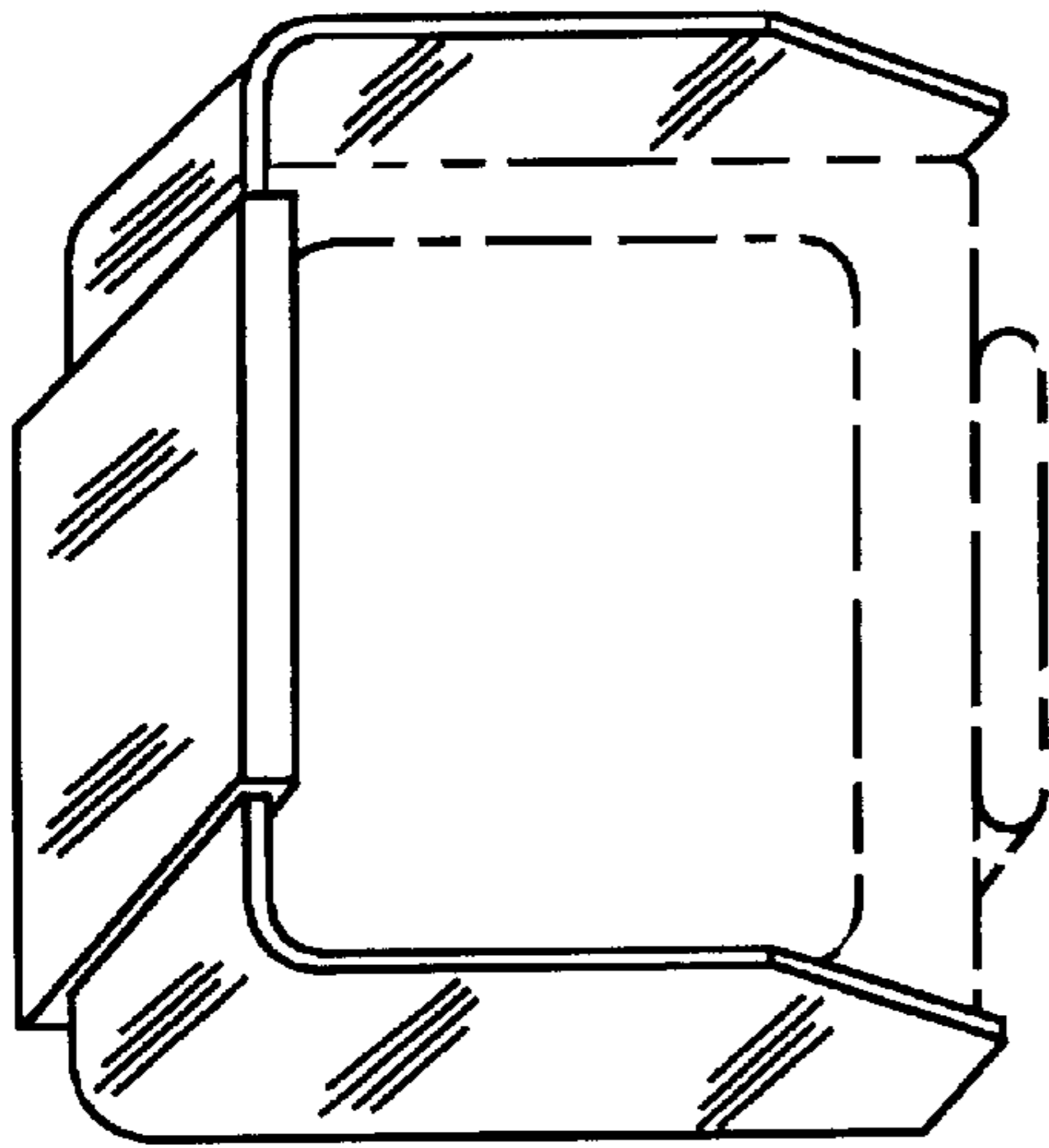


Fig. 1

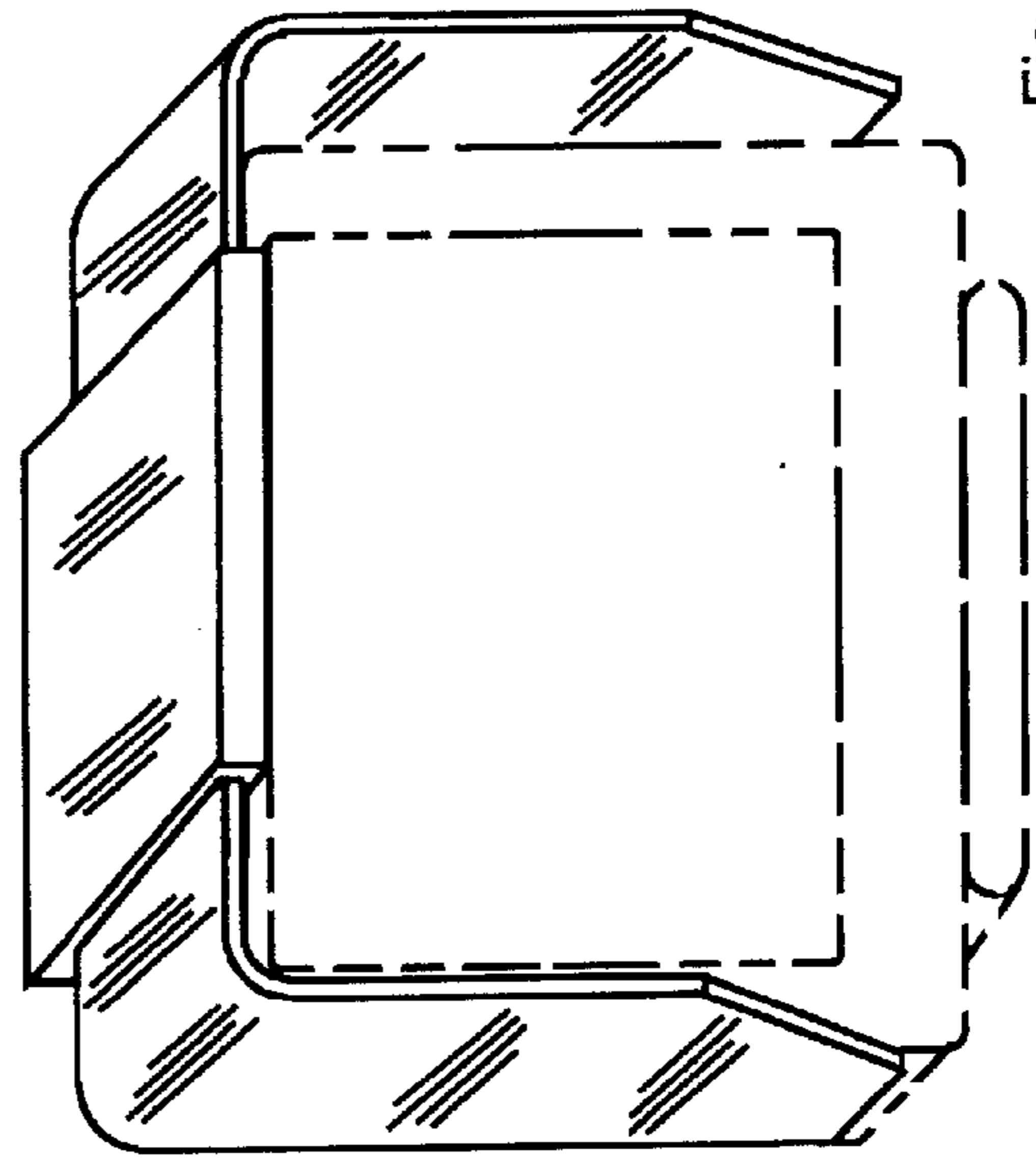


Fig. 3

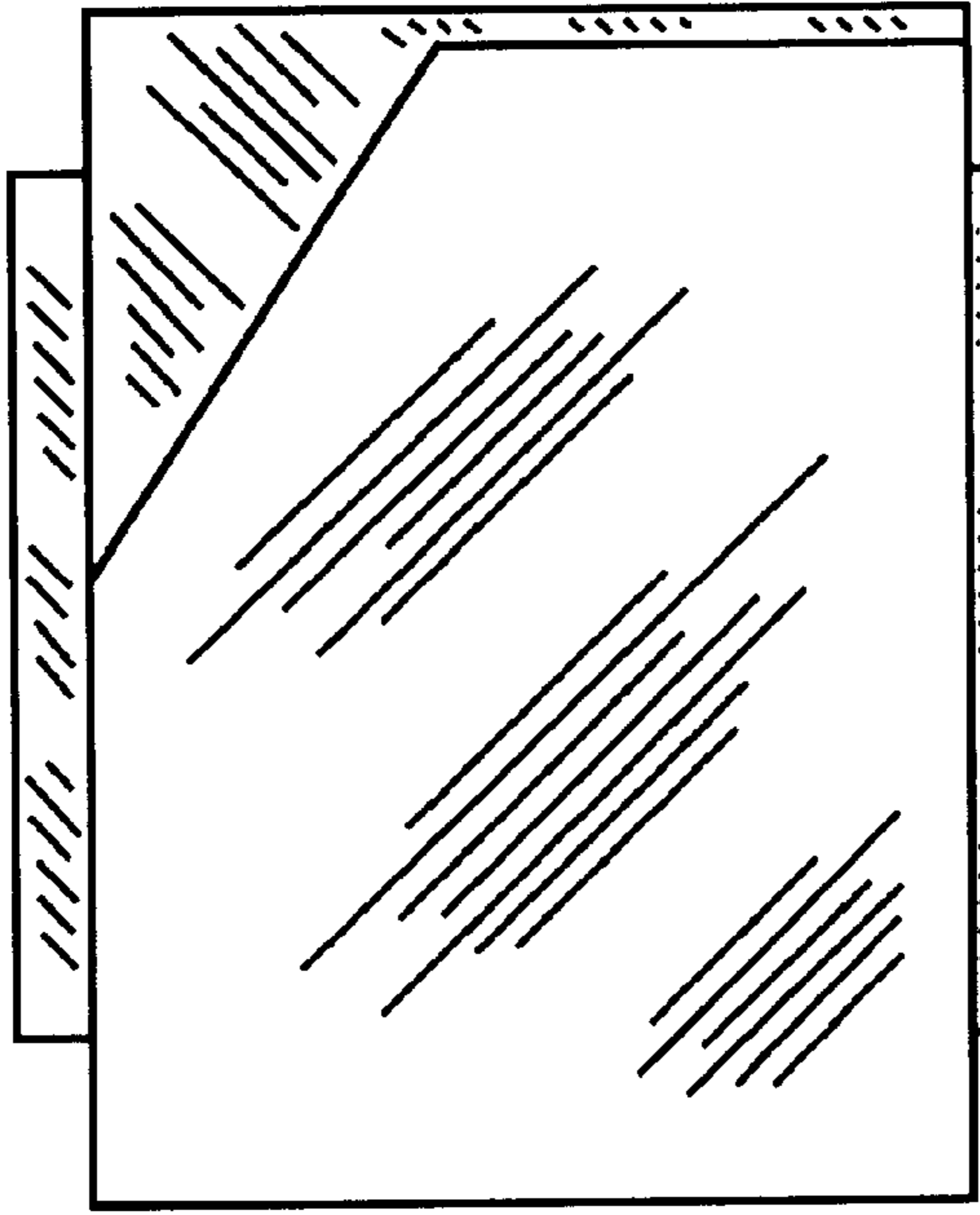


Fig. 7

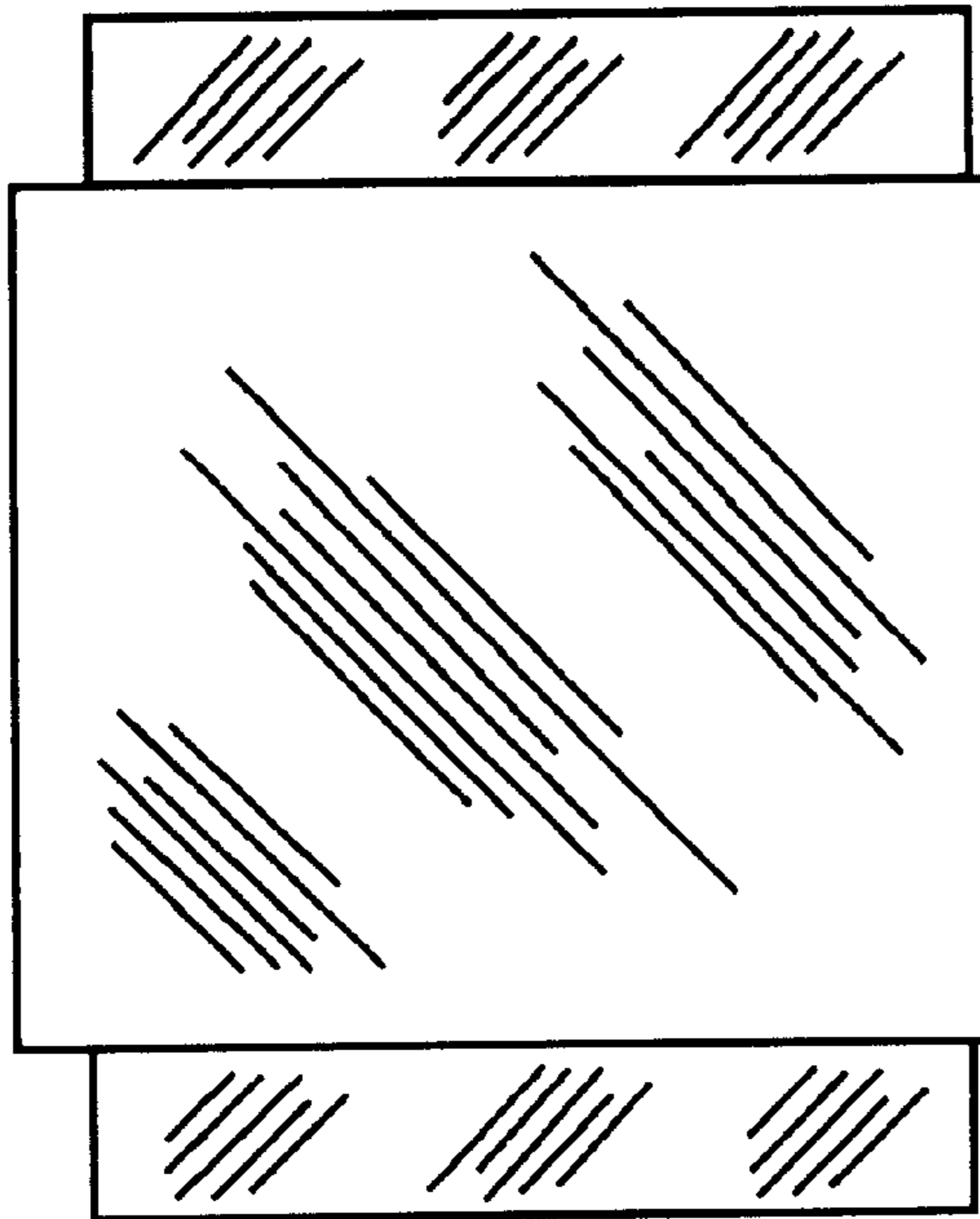


Fig. 5



Fig. 8

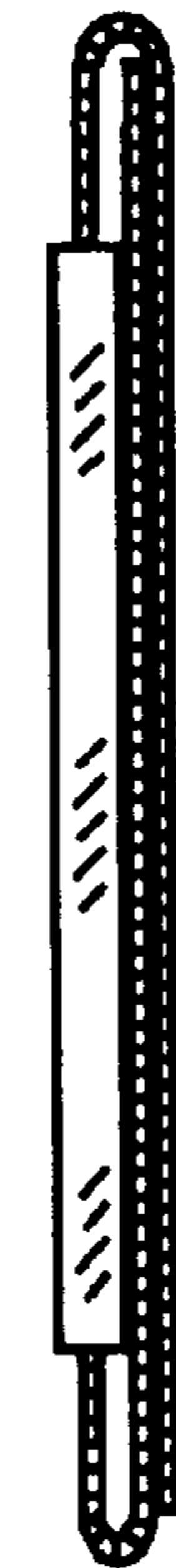


Fig. 6

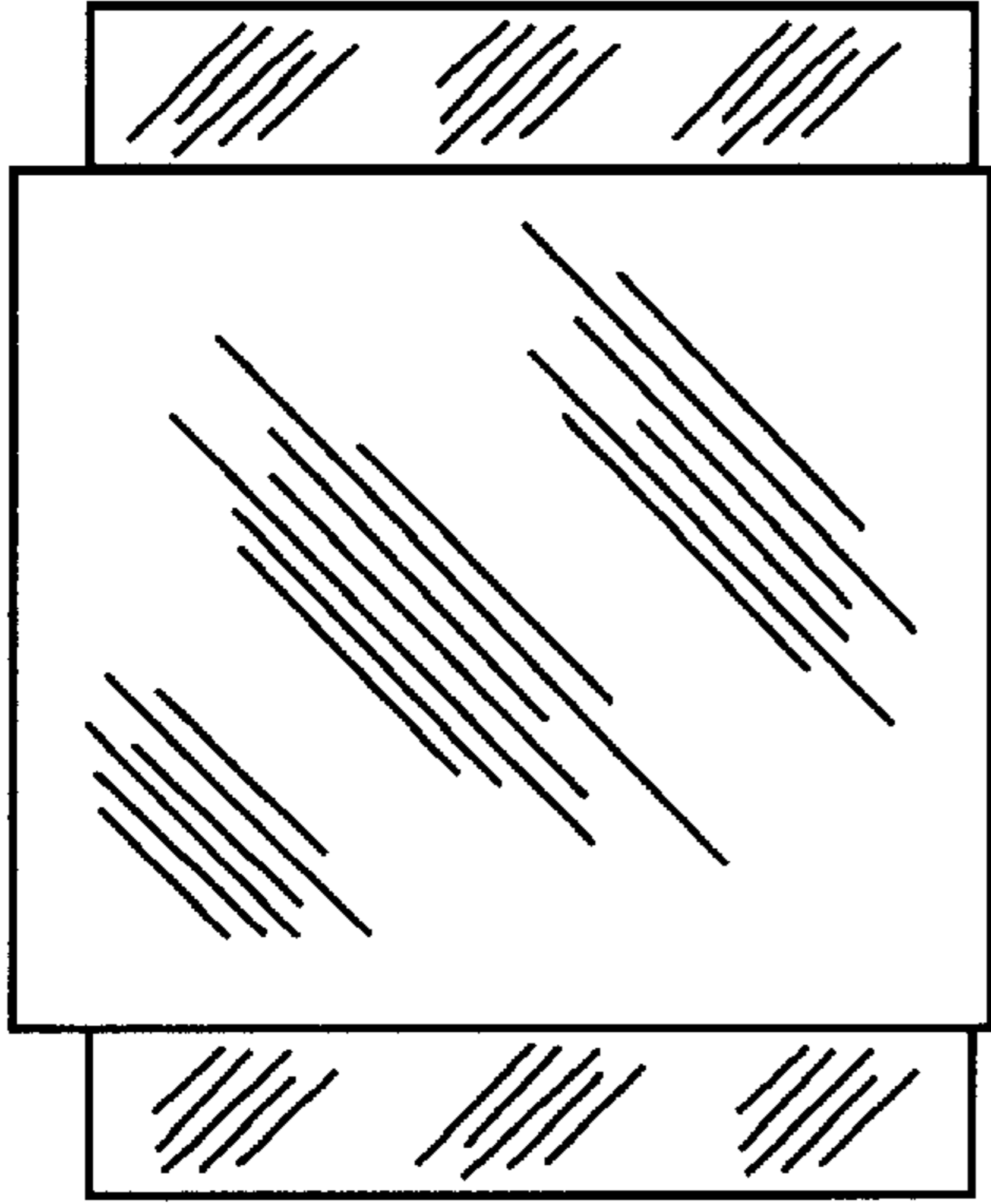


Fig. 9

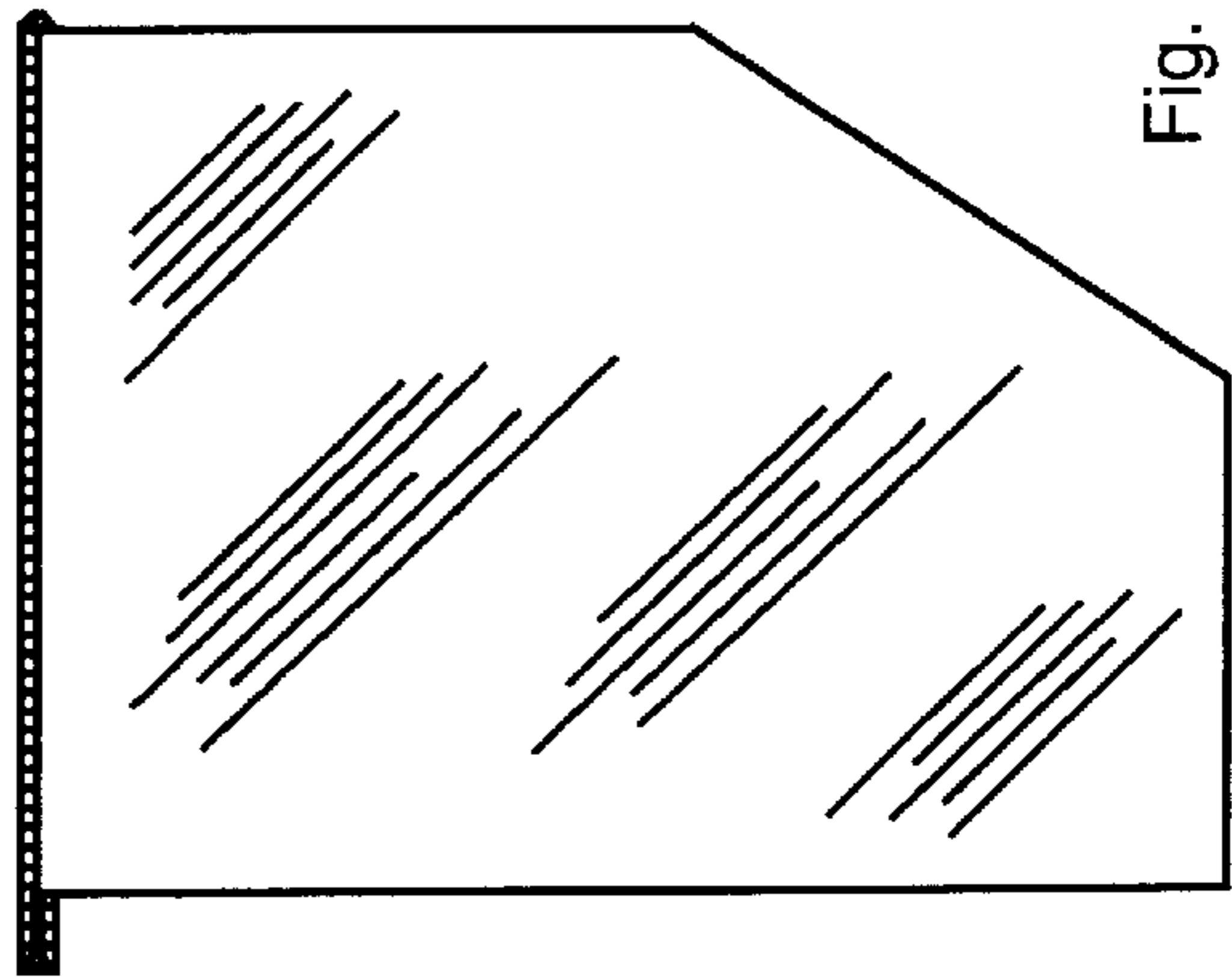


Fig. 10

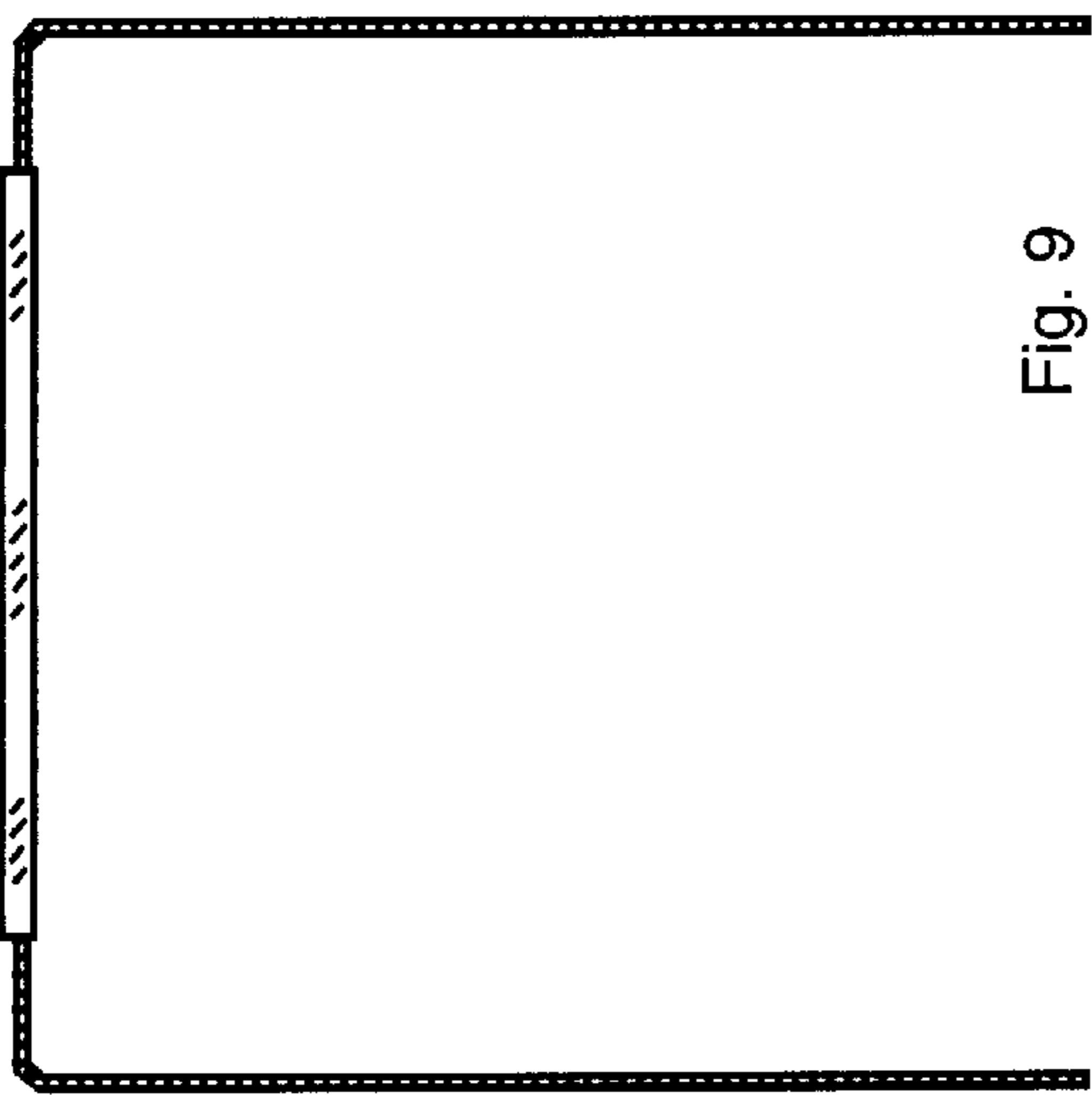


Fig. 11

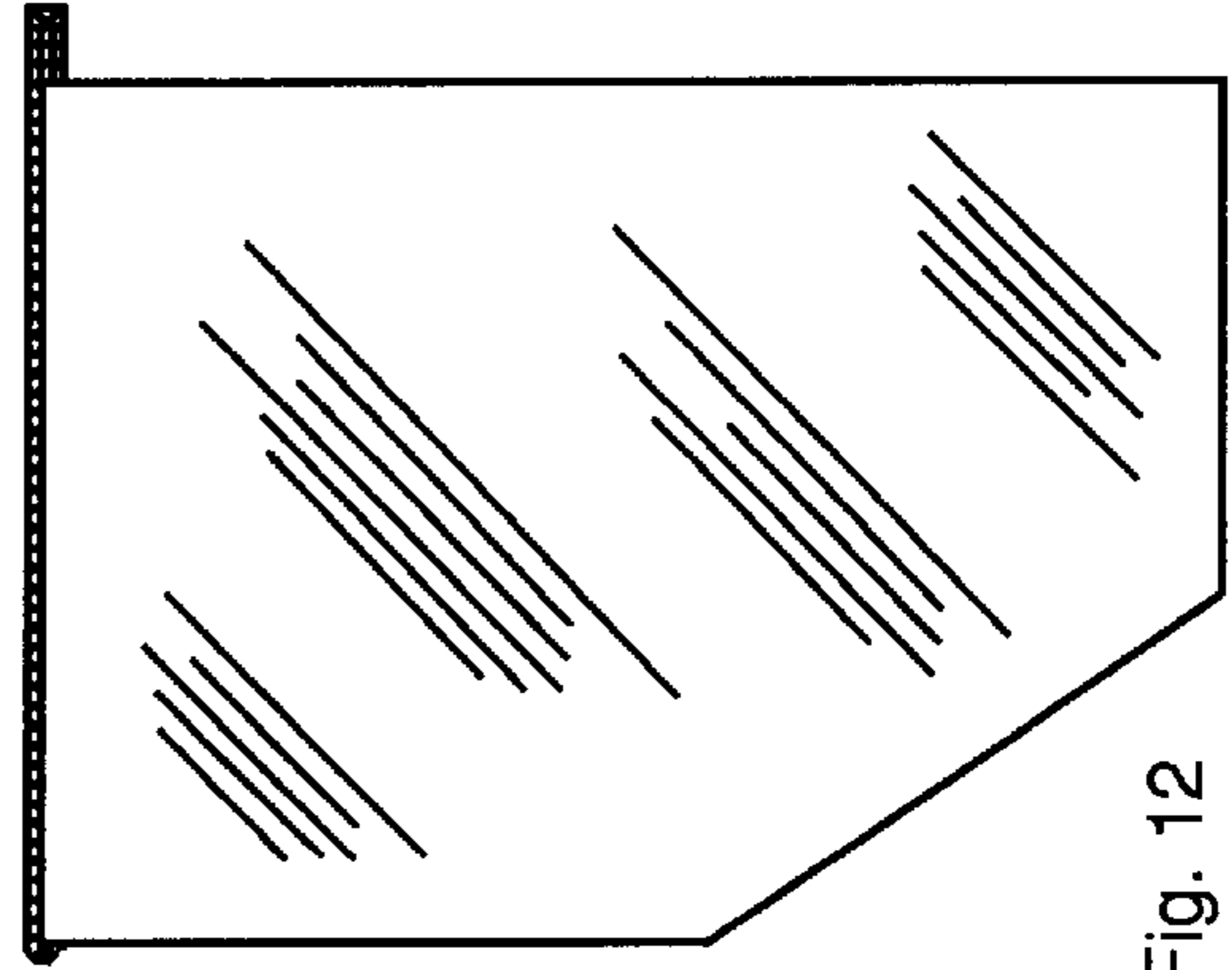


Fig. 12