



US00D431534S

United States Patent [19]

Holce et al.

[11] **Patent Number: Des. 431,534**

[45] **Date of Patent: ** Oct. 3, 2000**

[54] **COMBINATION CURRENT SENSOR RELAY HOUSING**

D. 323,815 2/1992 Boutellier D13/159
D. 335,488 5/1993 Suzuki et al. D13/159
D. 354,945 1/1995 Dellavecchia et al. D13/159

[76] Inventors: **Kent J. Holce**, 14000 SW. Stampher Rd., Lake Oswego, Oreg. 97034; **Frank Morey**, 15845 Spring Tooth La., Sherwood, Oreg. 97140

Primary Examiner—Brian N. Vinson
Attorney, Agent, or Firm—Kevin L. Russell; Chernoff Vilhauer McClung & Stenzel LLP

[**] Term: **14 Years**

[57] **CLAIM**

[21] Appl. No.: **29/100,962**

The novel and ornamental design for a combination current sensor relay housing, as shown and described.

[22] Filed: **Feb. 19, 1999**

DESCRIPTION

[51] **LOC (7) Cl.** **13-03**

[52] **U.S. Cl.** **D13/159**

[58] **Field of Search** D13/159, 158, D13/162; 335/202; 361/690, 724, 819

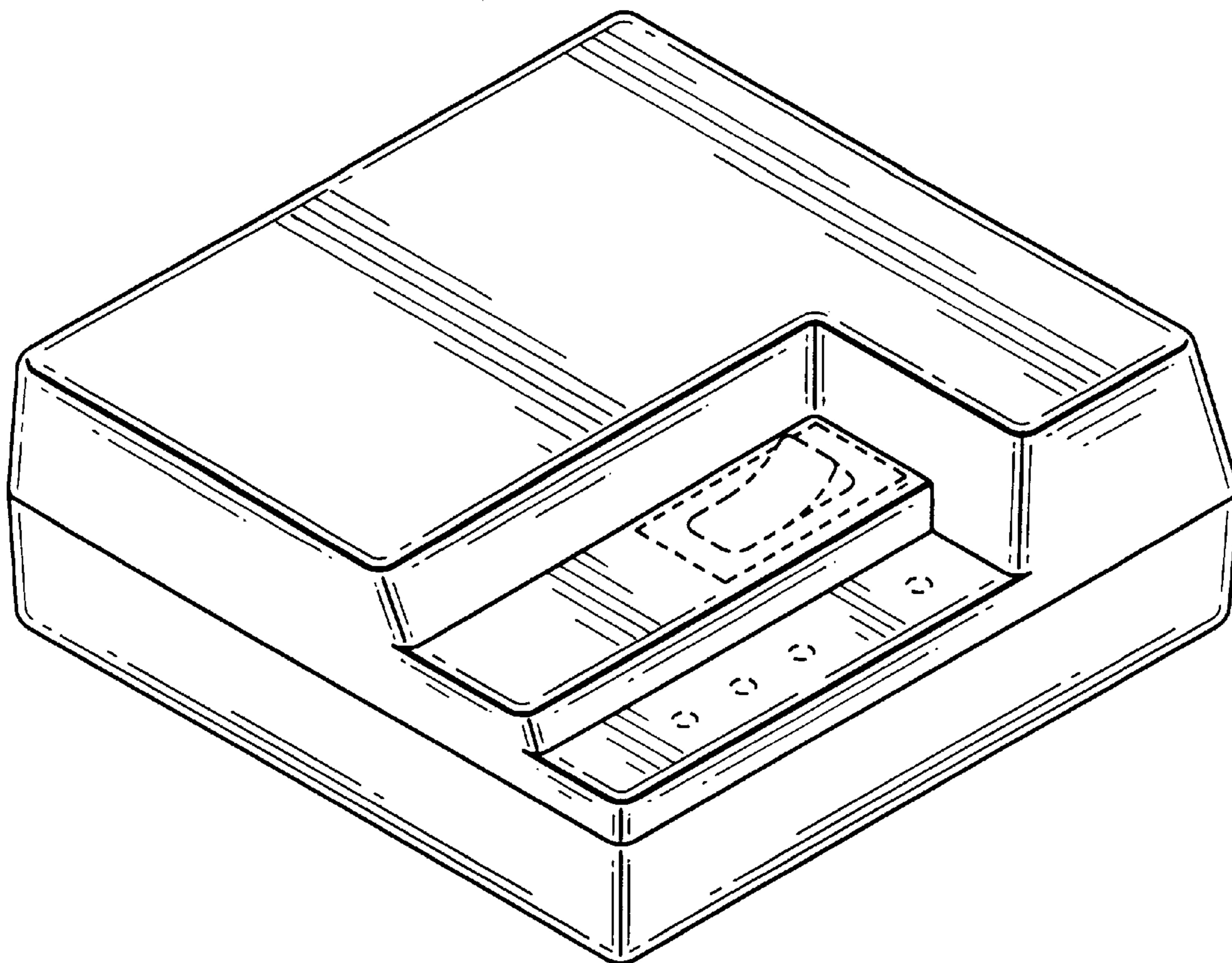
FIG. 1 is a perspective view;
FIG. 2 is a top view;
FIG. 3 is a front elevational view;
FIG. 4 is a left side elevational view;
FIG. 5 is a right side elevational view; and,
FIG. 6 is a rear side elevational view.
The broken-line elements in the views are for illustrative purposes only and form no part of the claimed design.

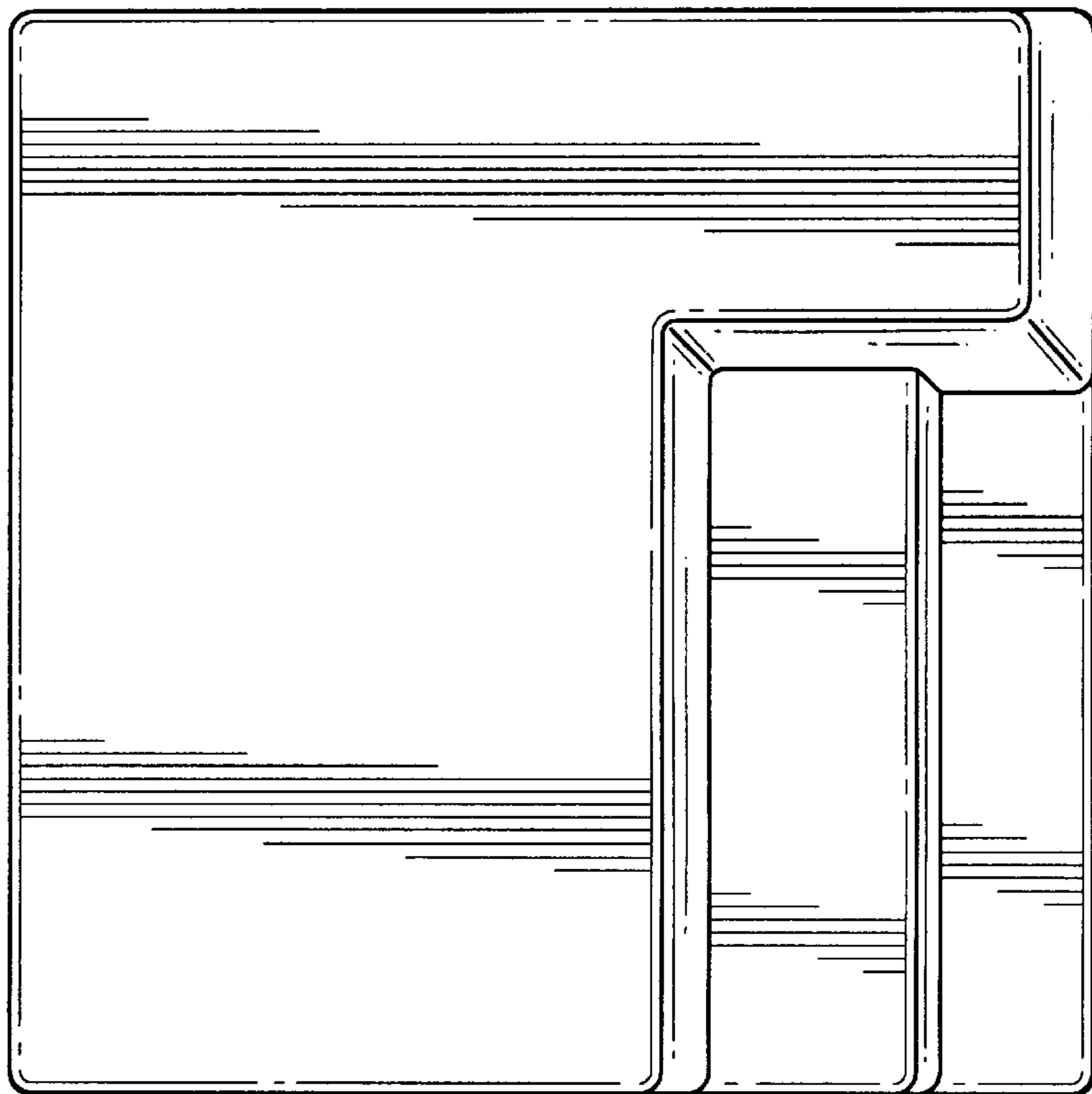
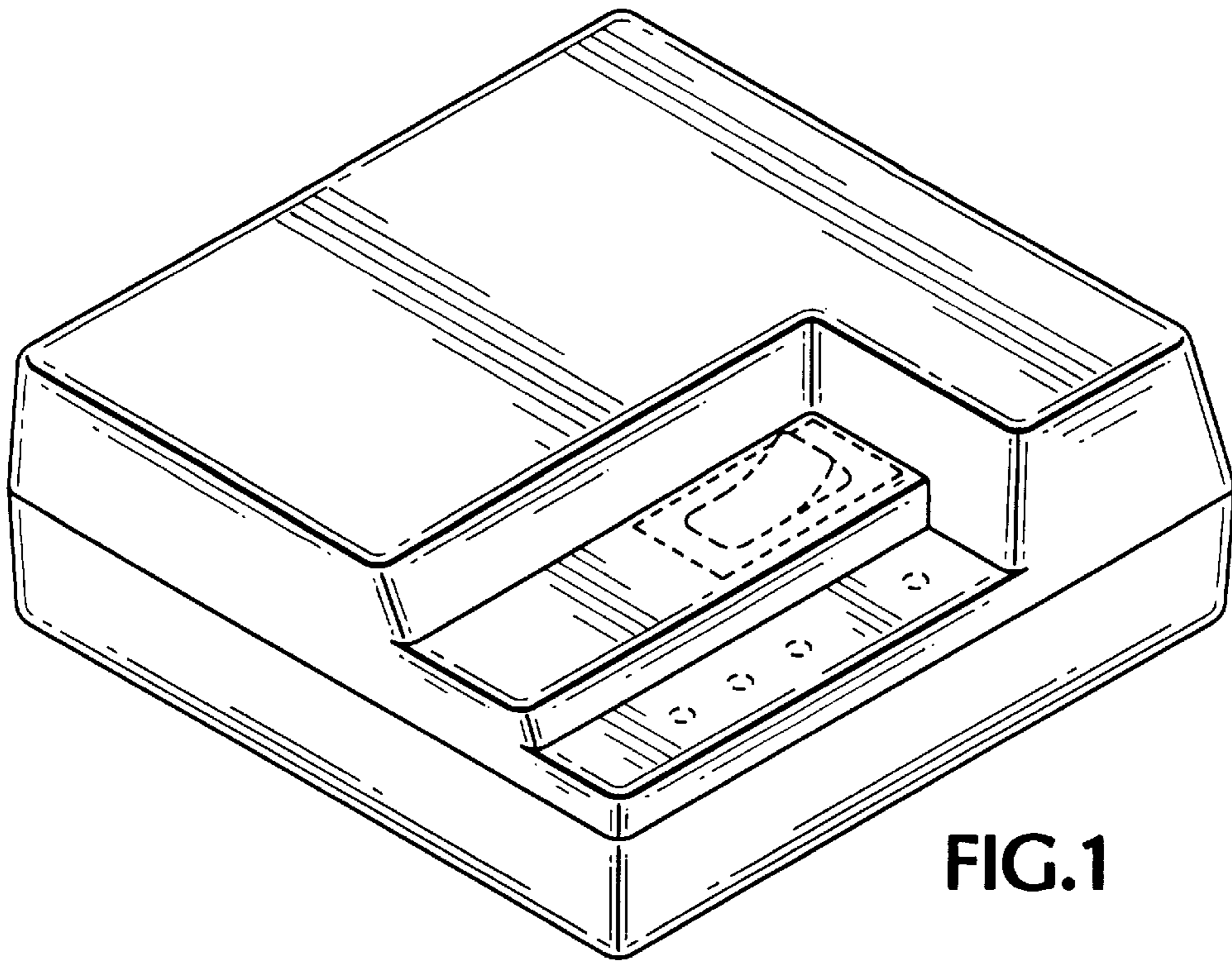
[56] **References Cited**

U.S. PATENT DOCUMENTS

D. 249,883 10/1978 Collins D13/159
D. 301,331 5/1989 Rhodin D13/159

1 Claim, 2 Drawing Sheets





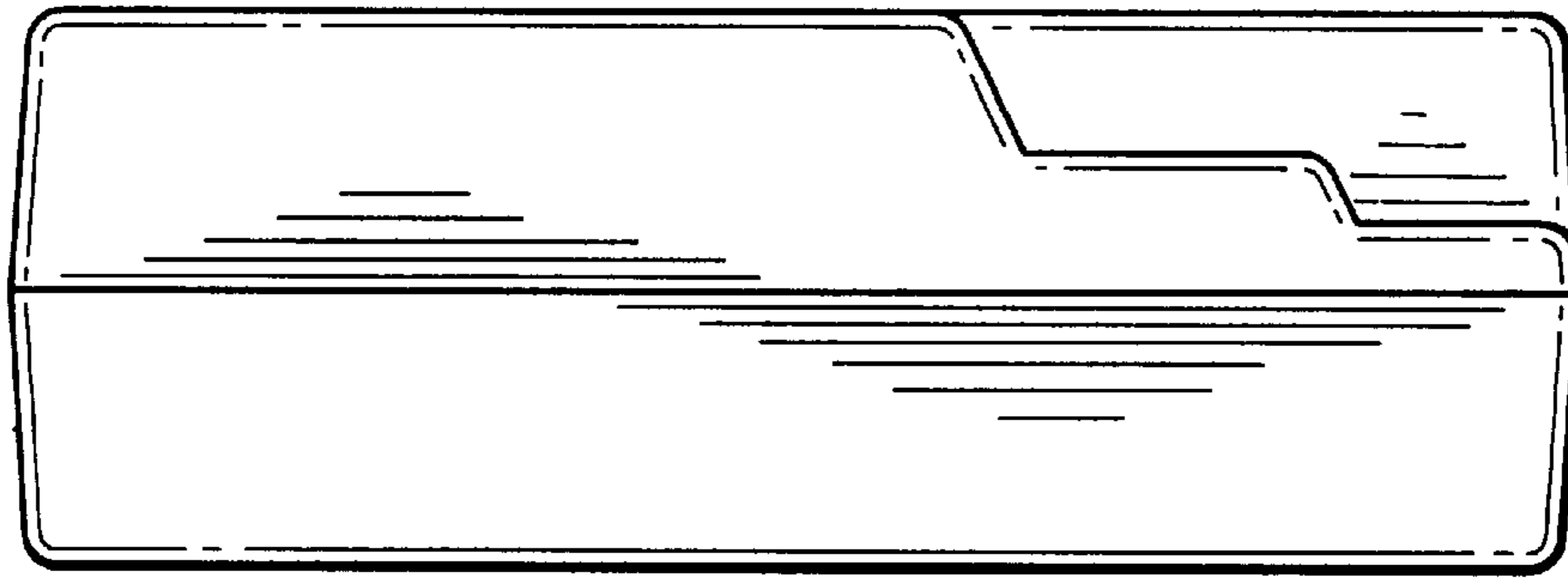


FIG.3

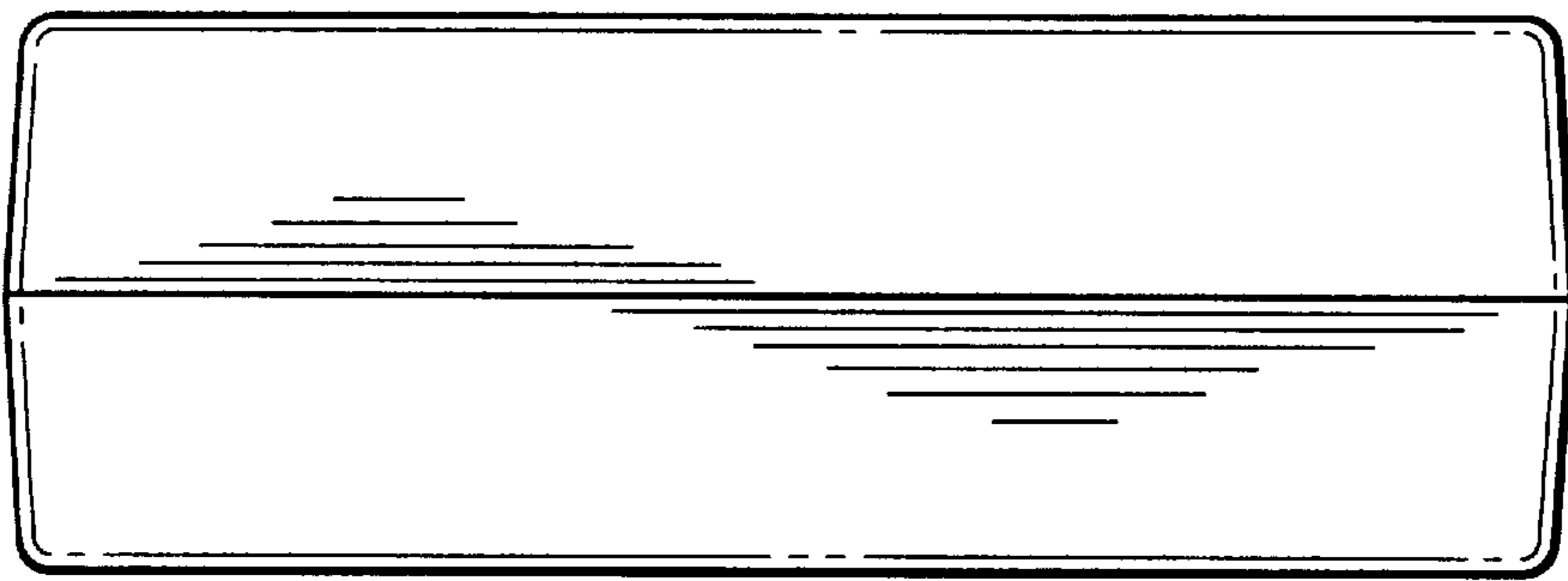


FIG.4

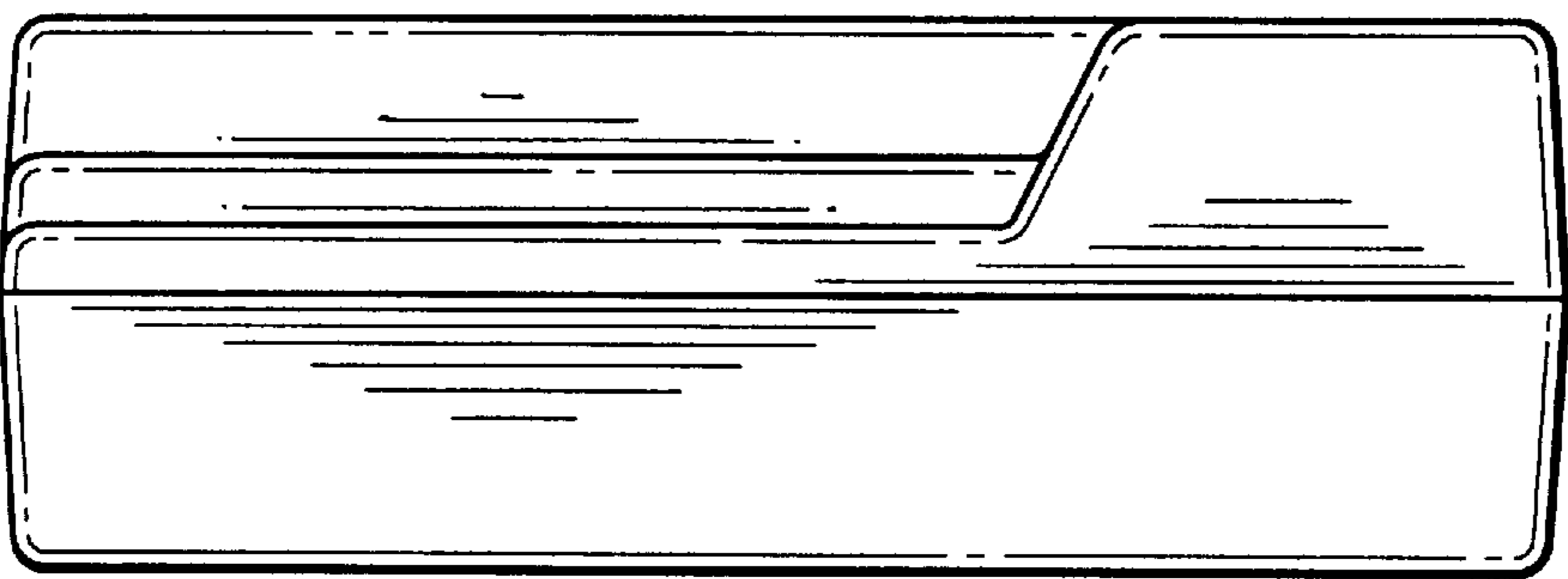


FIG.5

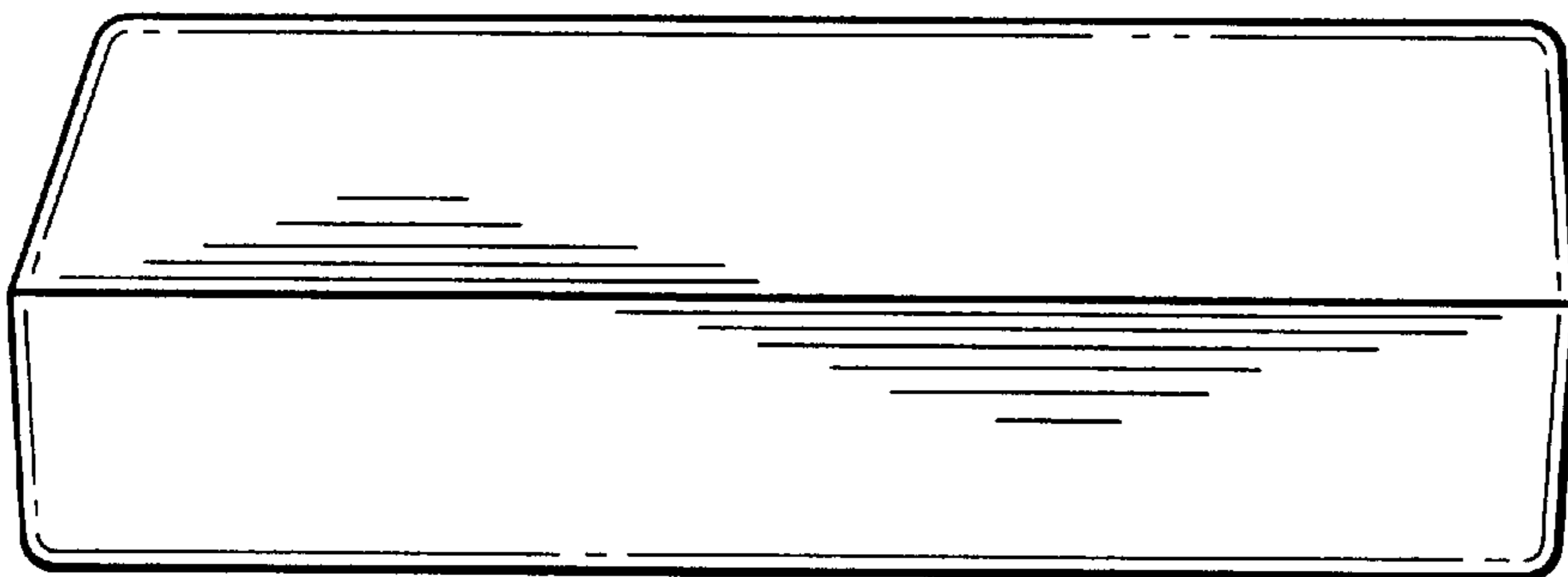


FIG.6

UNITED STATES PATENT AND TRADEMARK OFFICE
CERTIFICATE OF CORRECTION

Page 1 of 1

PATENT NO. : Des 431,534
DATED : October 3, 2000
INVENTOR(S) : Kent J. Holce et al.

It is certified that error appears in the above-identified patent and that said Letters Patent is hereby corrected as shown below:

Description of Figure 5, change "aa" to -- a --

Signed and Sealed this

Twenty-first Day of May, 2002

Attest:



Attesting Officer

JAMES E. ROGAN
Director of the United States Patent and Trademark Office