



US00D431532S

United States Patent [19]

Noble et al.

[11] **Patent Number: Des. 431,532**

[45] **Date of Patent: ** Oct. 3, 2000**

[54] **FIBER OPTIC CABLE WALL MOUNT HOUSING**

[75] Inventors: **Jennifer D. Noble**, Fort Worth; **Carrie Lynn Gordon**, Saginaw, both of Tex.

[73] Assignee: **Siecor Operations, LLC**, Hickory, N.C.

[**] Term: **14 Years**

[21] Appl. No.: **29/105,369**

[22] Filed: **May 24, 1999**

Related U.S. Application Data

[63] Continuation-in-part of application No. 09/222,584, Dec. 28, 1998.

[51] **LOC (7) Cl. 13-03**

[52] **U.S. Cl. D13/152**

[58] **Field of Search** D13/152, 184; D14/240; 379/325-330, 383, 399; 174/48, 65 R; 385/134, 135

[56] References Cited

U.S. PATENT DOCUMENTS

D. 252,510 7/1979 Fima D13/152

D. 264,583	5/1982	Kessler	D13/184
D. 324,207	2/1992	Nieves	D13/184
D. 375,082	10/1996	Messelhi	D13/152
D. 400,512	11/1998	Korhonen	D13/184
5,109,467	4/1992	Hogan et al.	385/135
5,247,603	9/1993	Vidacovich et al.	385/135

Primary Examiner—Joel Sincavage
Attorney, Agent, or Firm—Michael L. Leetzow

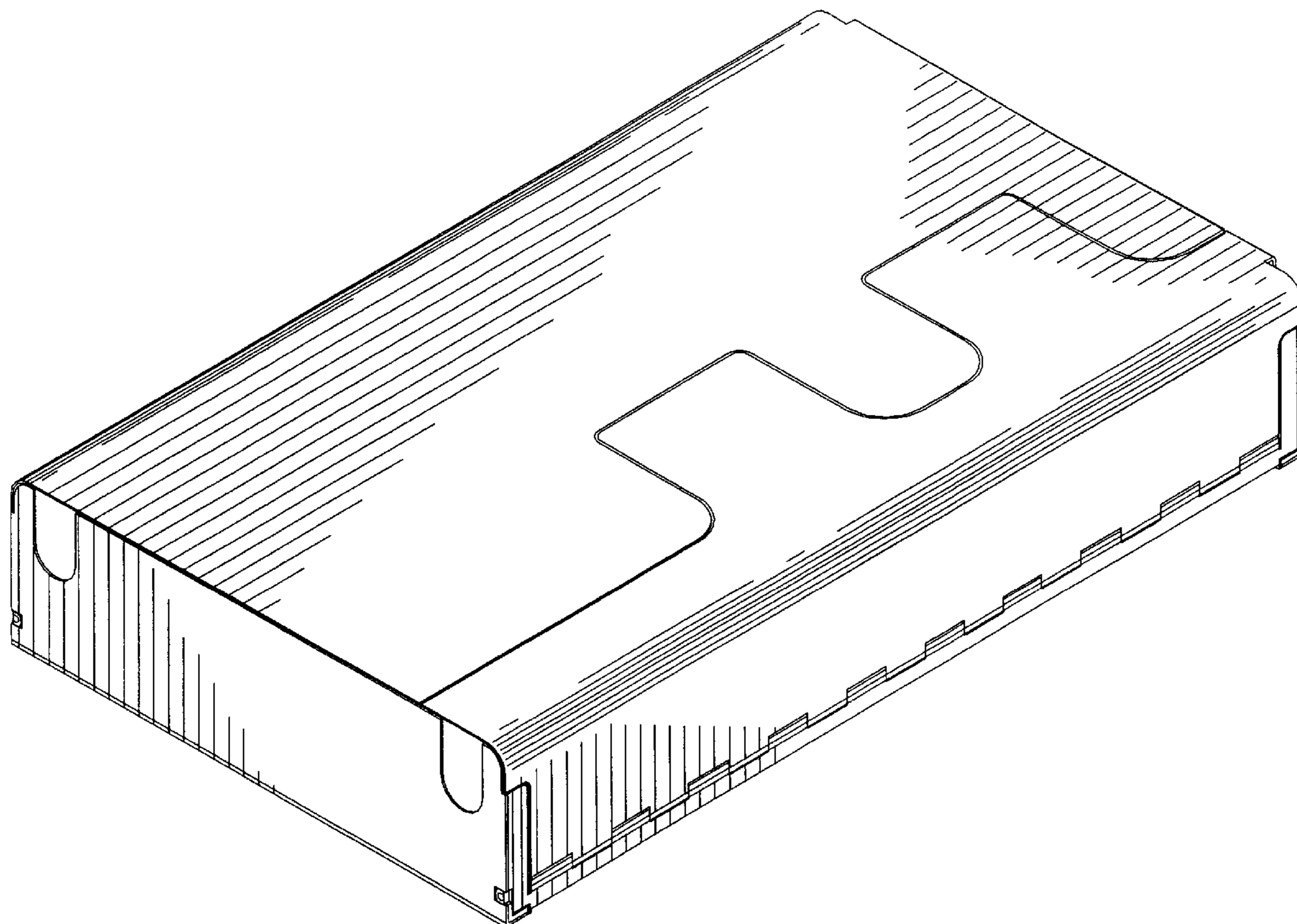
[57] CLAIM

The ornamental design for a fiber optic cable wall mount housing, as shown and described.

DESCRIPTION

FIG. 1 is a perspective view of a fiber optic cable wall mount housing showing our new design;
FIG. 2 is a front elevational view thereof;
FIG. 3 is a rear elevational view thereof;
FIG. 4 is a right view thereof;
FIG. 5 is a left side view thereof;
FIG. 6 is a top view thereof; and,
FIG. 7 is a bottom view thereof.

1 Claim, 3 Drawing Sheets



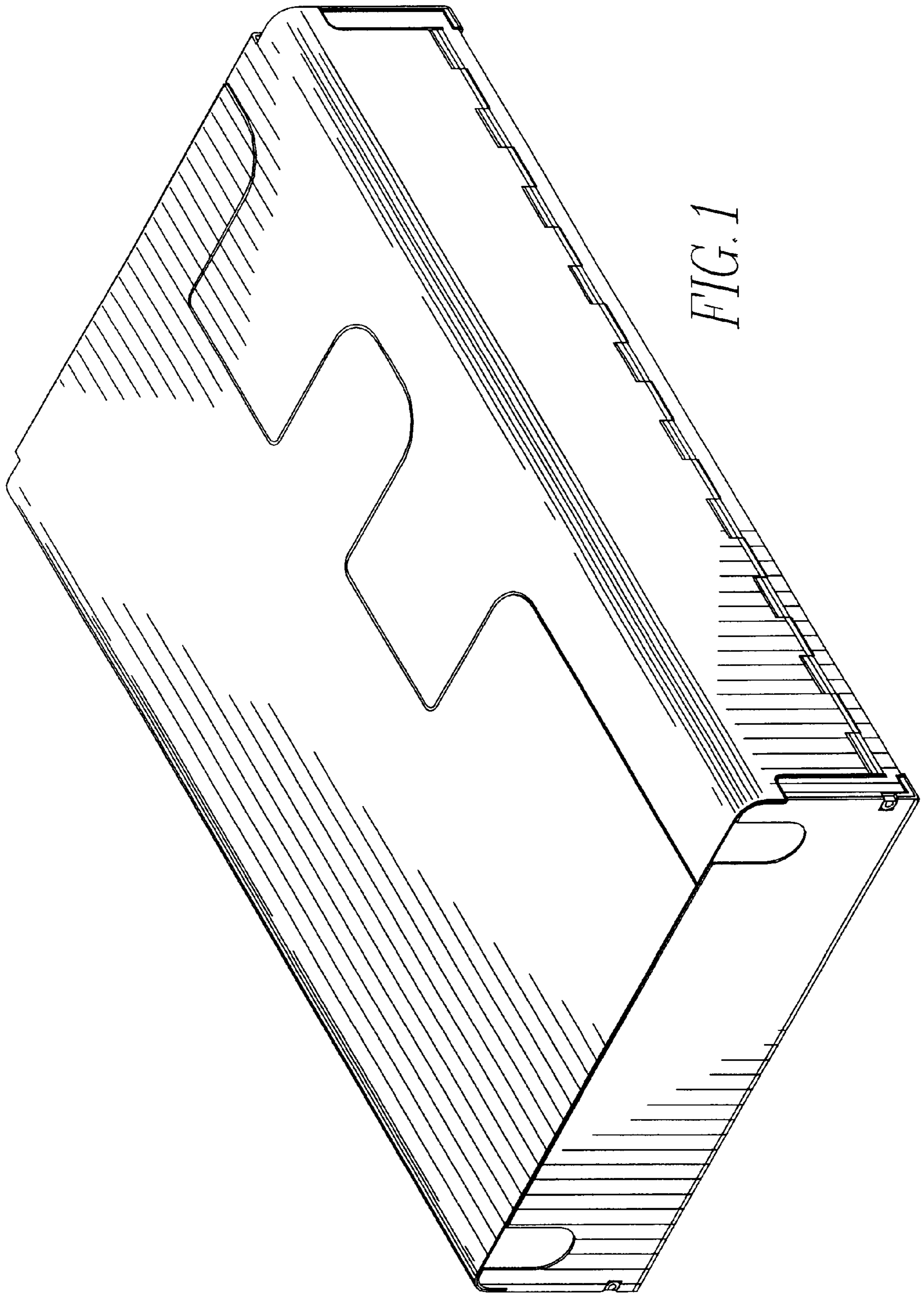


FIG. 1

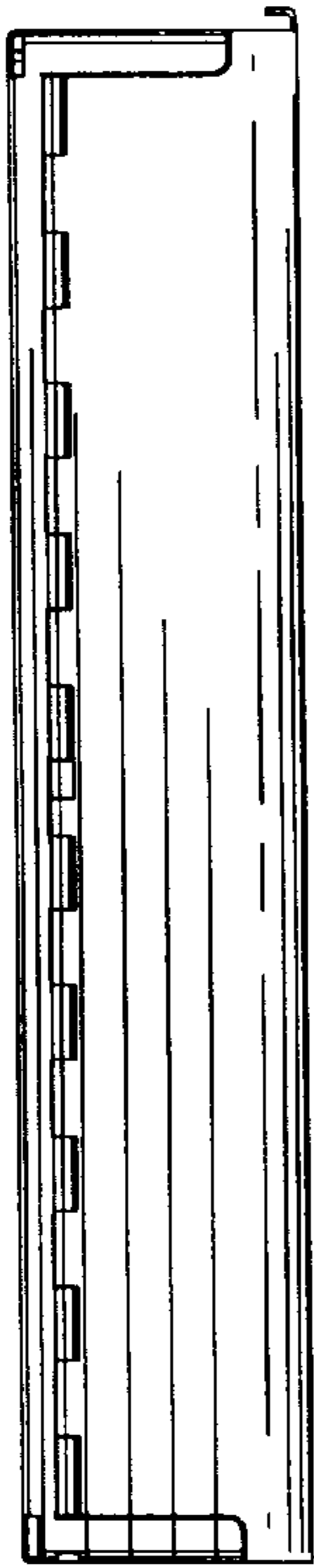


FIG. 5

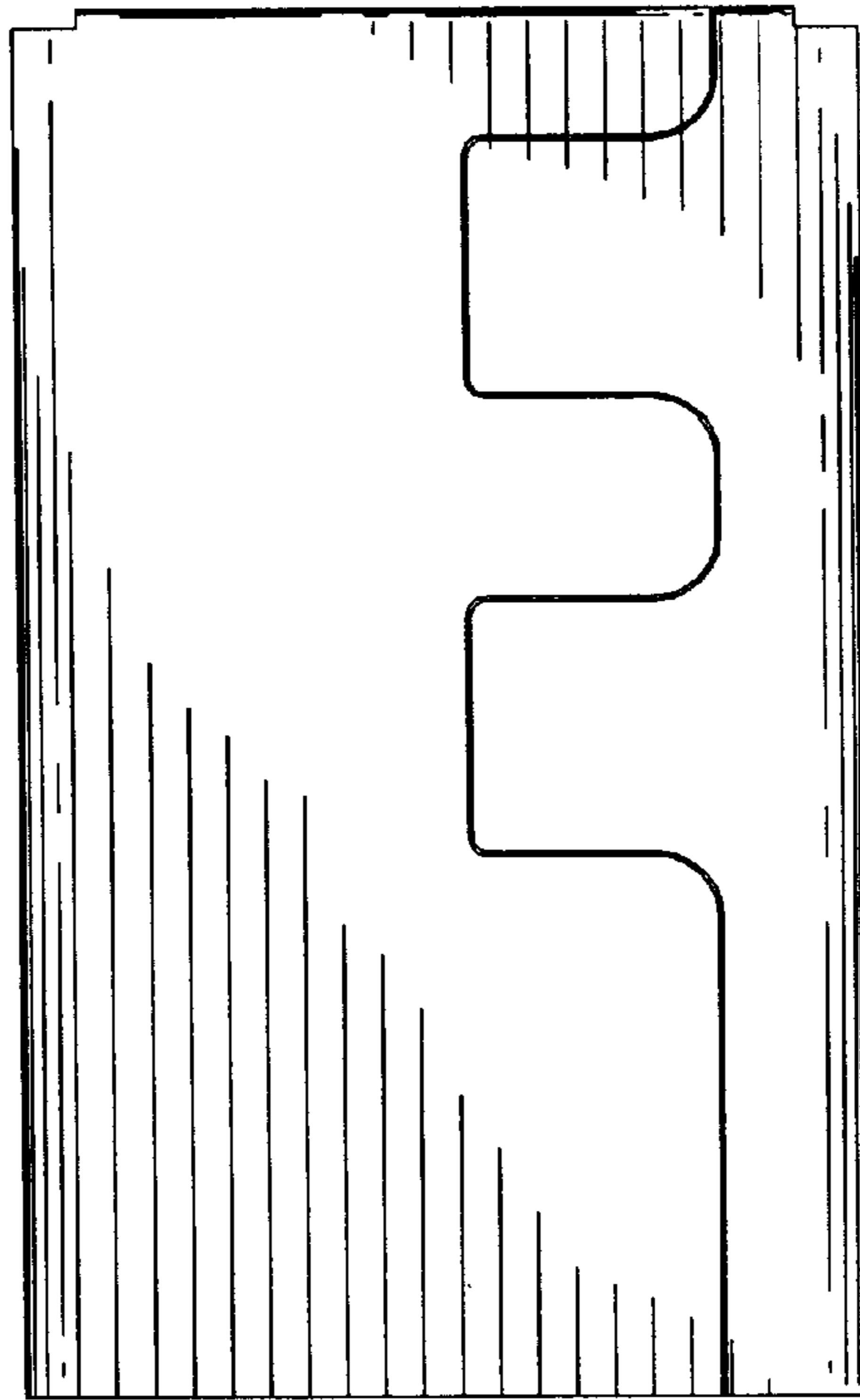


FIG. 2

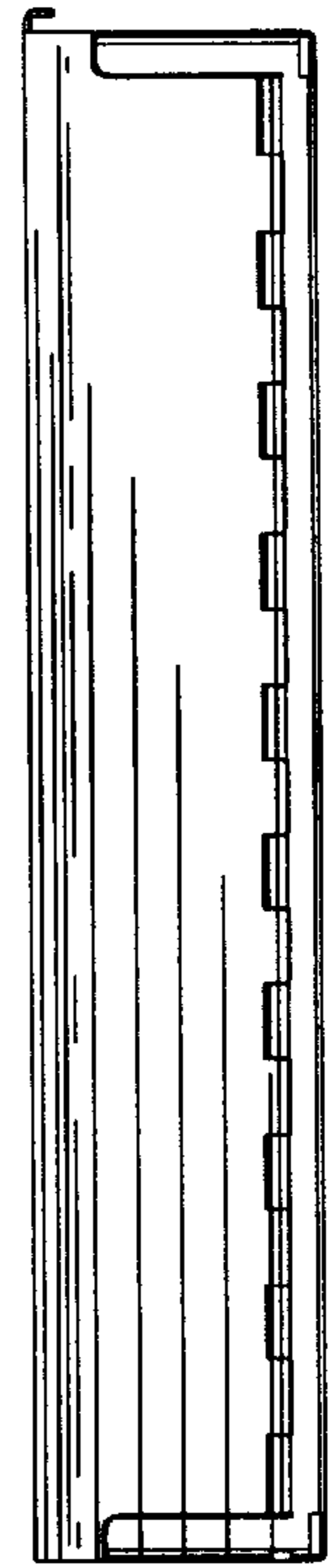


FIG. 4

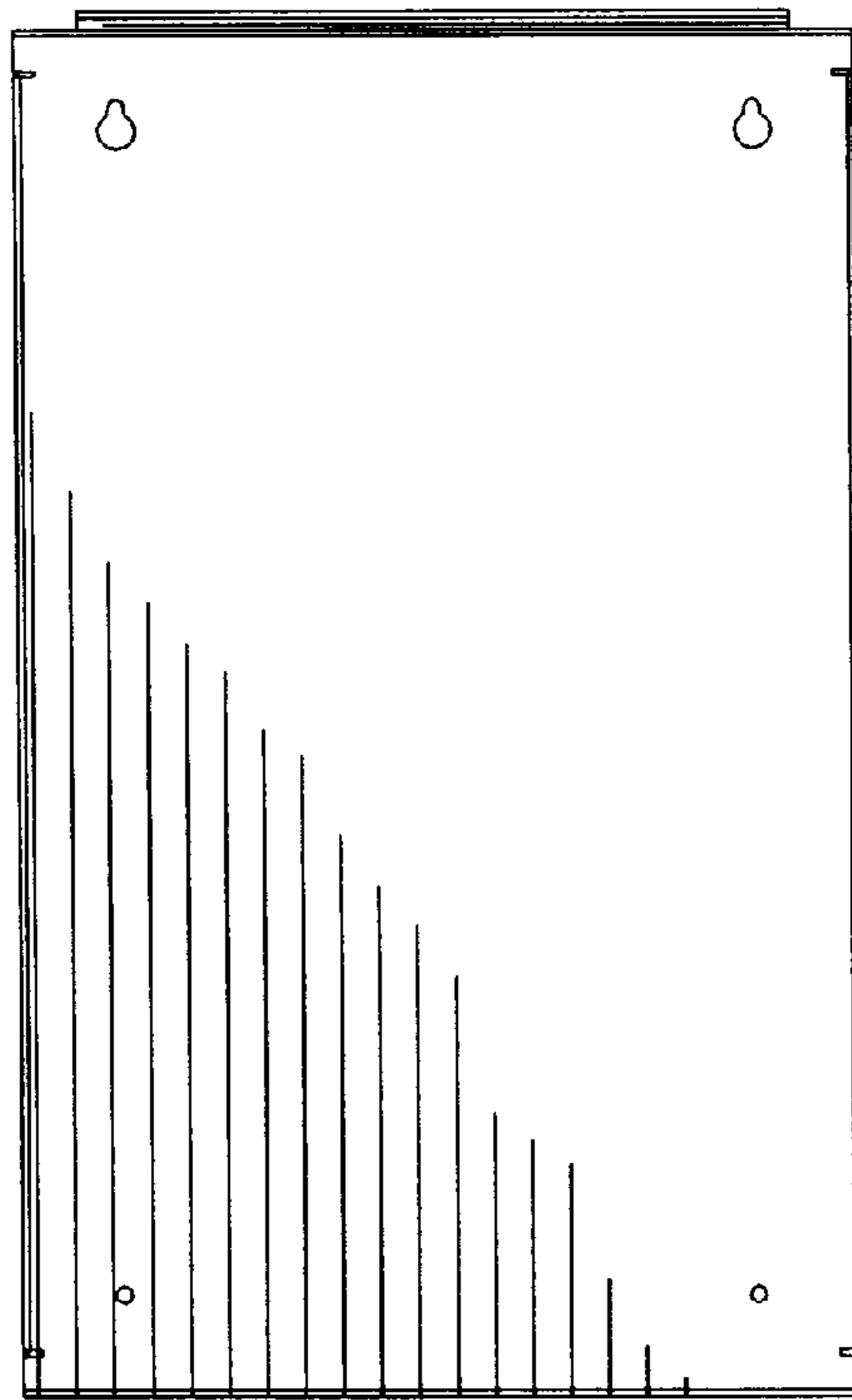


FIG. 3

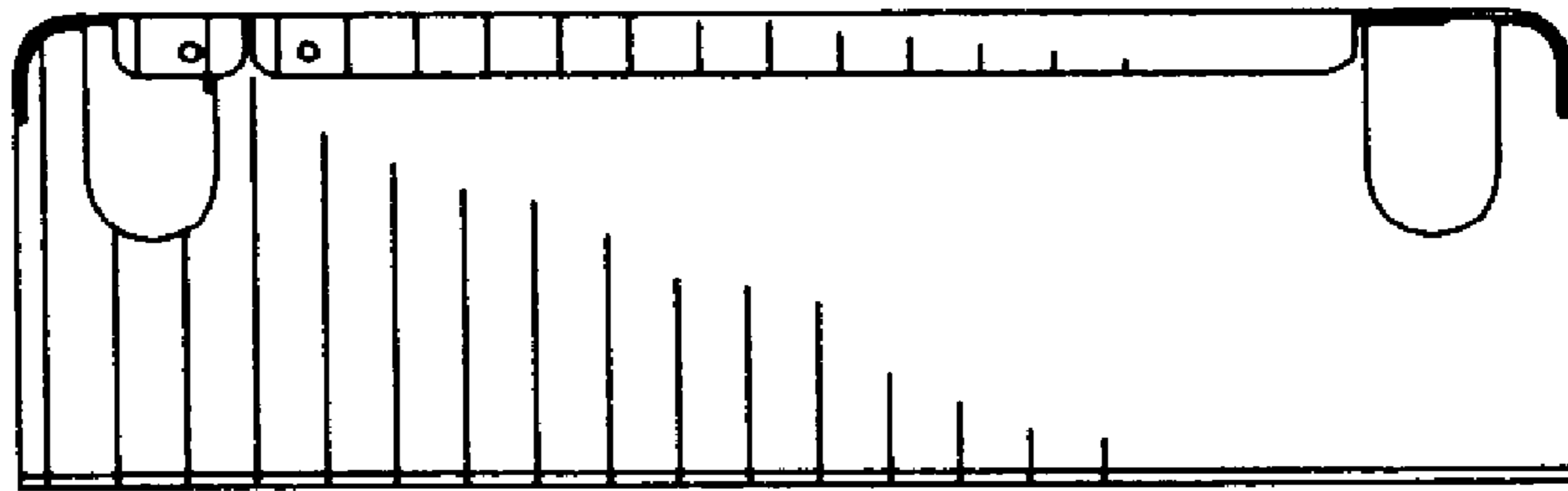


FIG. 6

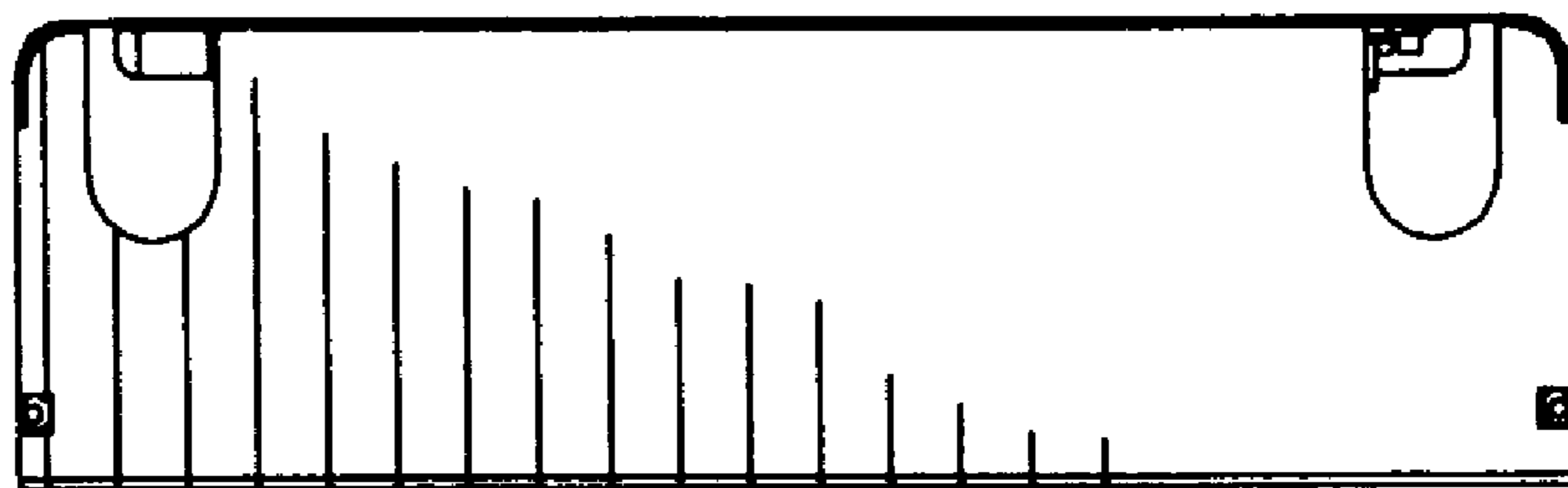


FIG. 7