



US00D431531S

# United States Patent [19] Chih

[11] **Patent Number: Des. 431,531**  
[45] **Date of Patent: \*\* Oct. 3, 2000**

[54] **ELECTRICAL CONNECTOR**

[75] Inventor: **Kuo-Hua Chih**, Chung-Li, Taiwan

[73] Assignee: **Hon Hai Precision Ind. Co., Ltd.**,  
Taipei Hsien, Taiwan

[\*\*] Term: **14 Years**

[21] Appl. No.: **29/118,484**

[22] Filed: **Feb. 9, 2000**

### [30] Foreign Application Priority Data

Jan. 7, 2000 [TW] Taiwan ..... 89300158

[51] **LOC (7) Cl.** ..... **13-03**

[52] **U.S. Cl.** ..... **D13/147**

[58] **Field of Search** ..... D13/146, 147;  
439/660, 686, 79, 607-610

### [56] References Cited

#### U.S. PATENT DOCUMENTS

D. 351,136 10/1994 Kurata ..... D13/147

D. 379,620 6/1997 Aramaki ..... D13/147

D. 408,014 4/1999 Lai et al. .... D13/147  
D. 413,576 9/1999 Ono et al. .... D13/147  
D. 415,997 11/1999 Ono et al. .... D13/147  
D. 416,865 11/1999 Chiou ..... D13/147  
D. 418,479 1/2000 Chiou ..... D13/147  
D. 425,865 5/2000 Chiou ..... D13/147  
5,967,846 10/1999 Davis et al. .... 439/609

*Primary Examiner*—Joel Sincavage  
*Attorney, Agent, or Firm*—Wei Te Chung

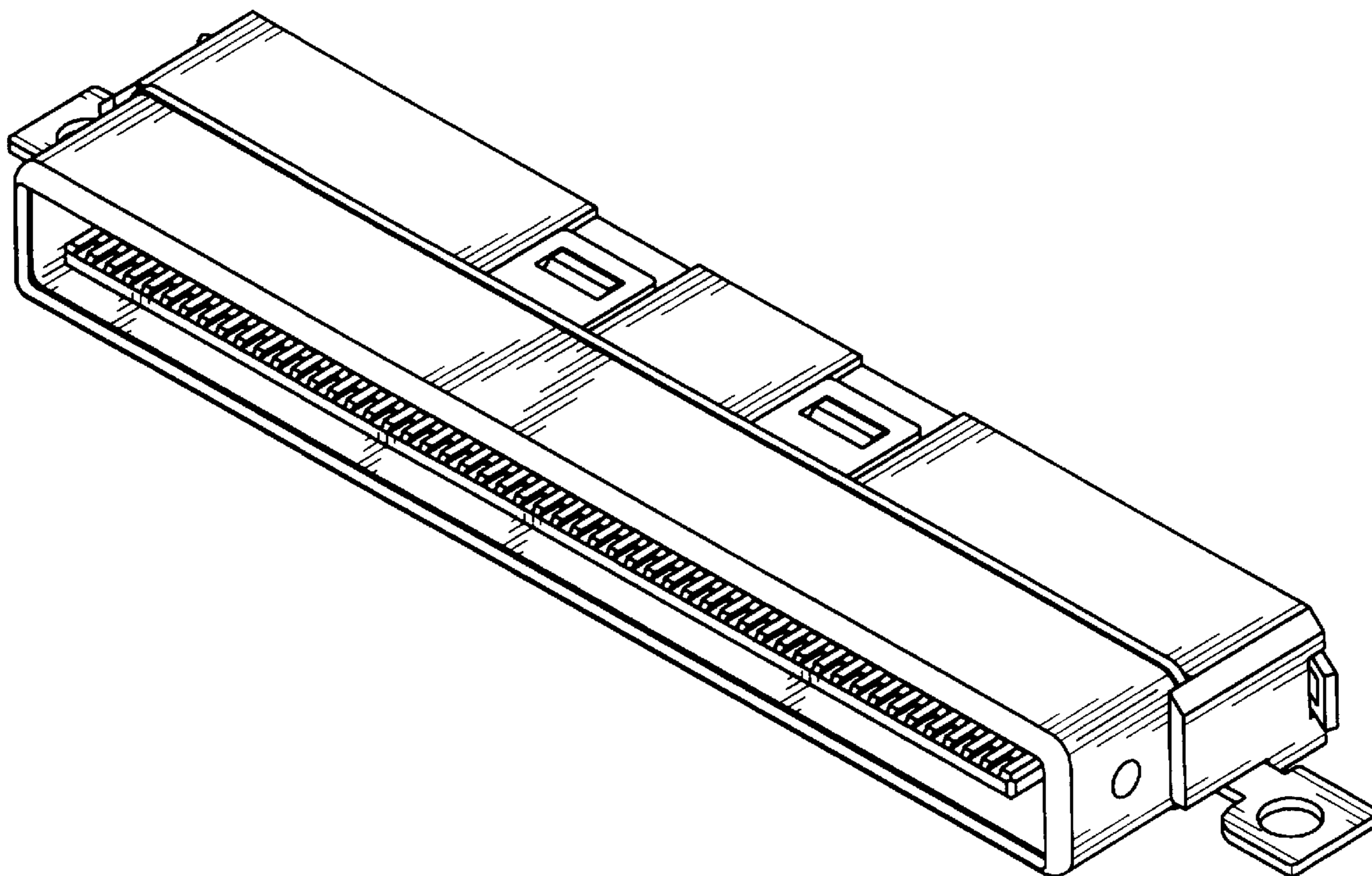
### [57] CLAIM

The ornamental design for an electrical connector, as shown.

### DESCRIPTION

FIG. 1 is a front, top and right side perspective view of an electrical connector showing my new design; FIG. 2 is a front elevational view thereof; FIG. 3 is a rear elevational view thereof; FIG. 4 is a left side elevational view thereof; FIG. 5 is a right side elevational view thereof; FIG. 6 is a top plan view thereof; and, FIG. 7 is a bottom plan view thereof.

**1 Claim, 6 Drawing Sheets**



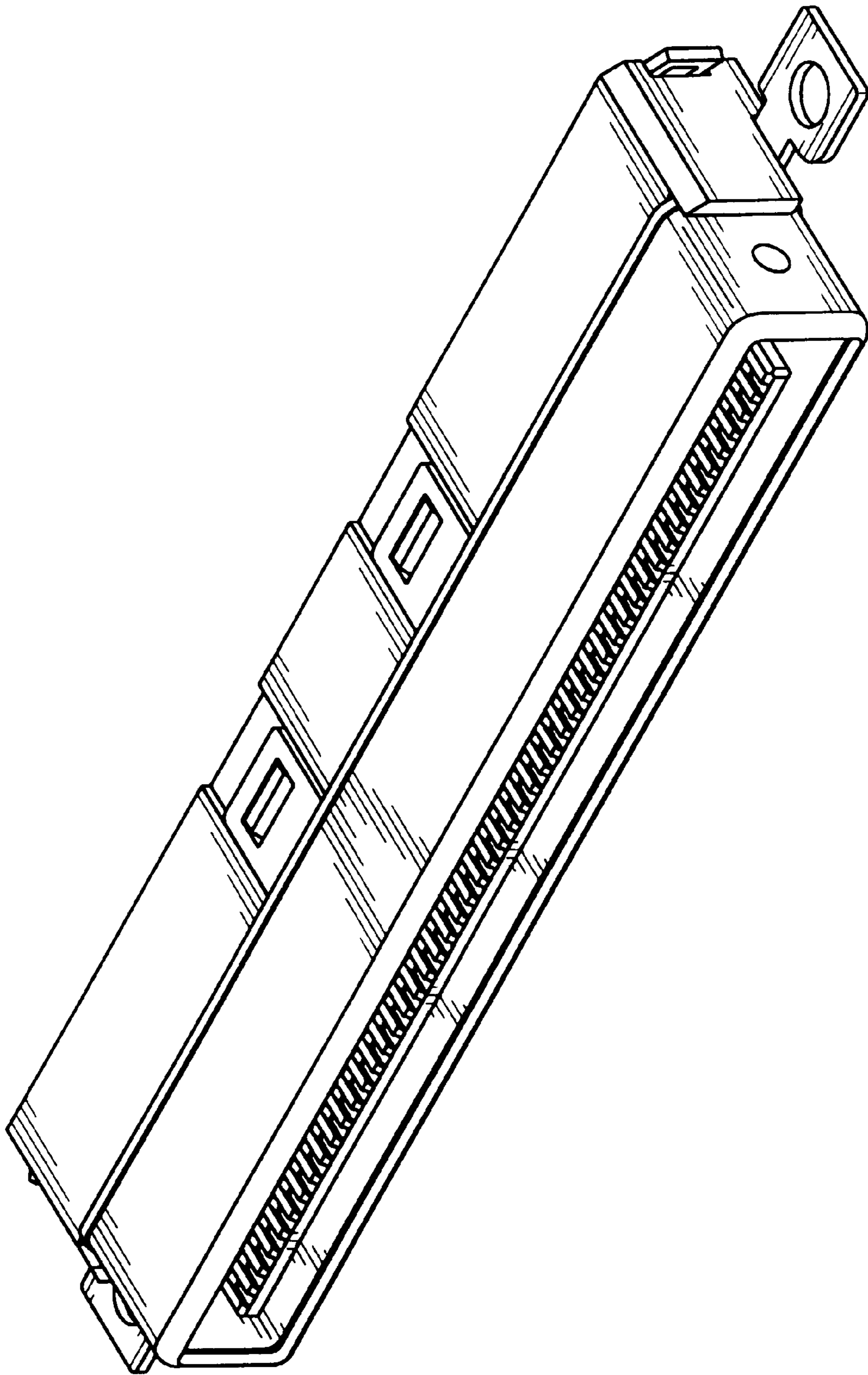


FIG. 1

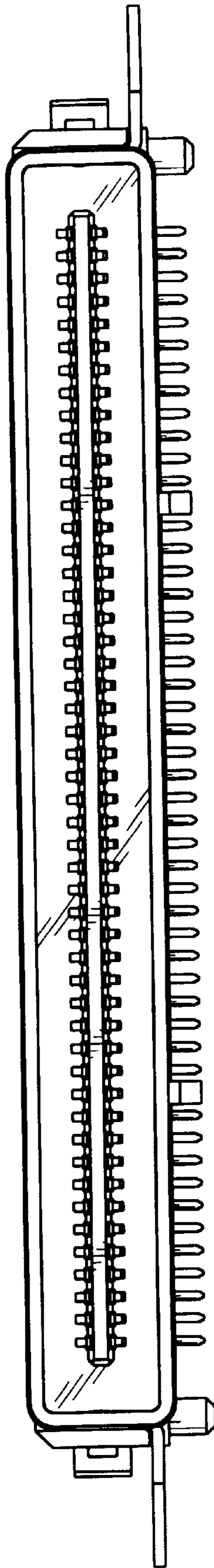


FIG. 2

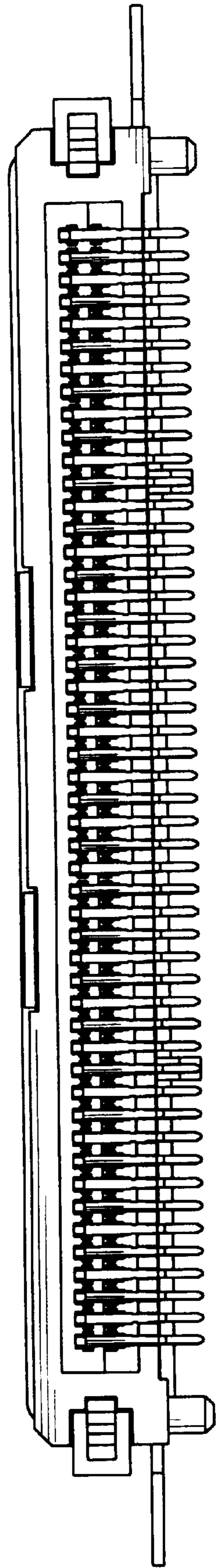


FIG. 3

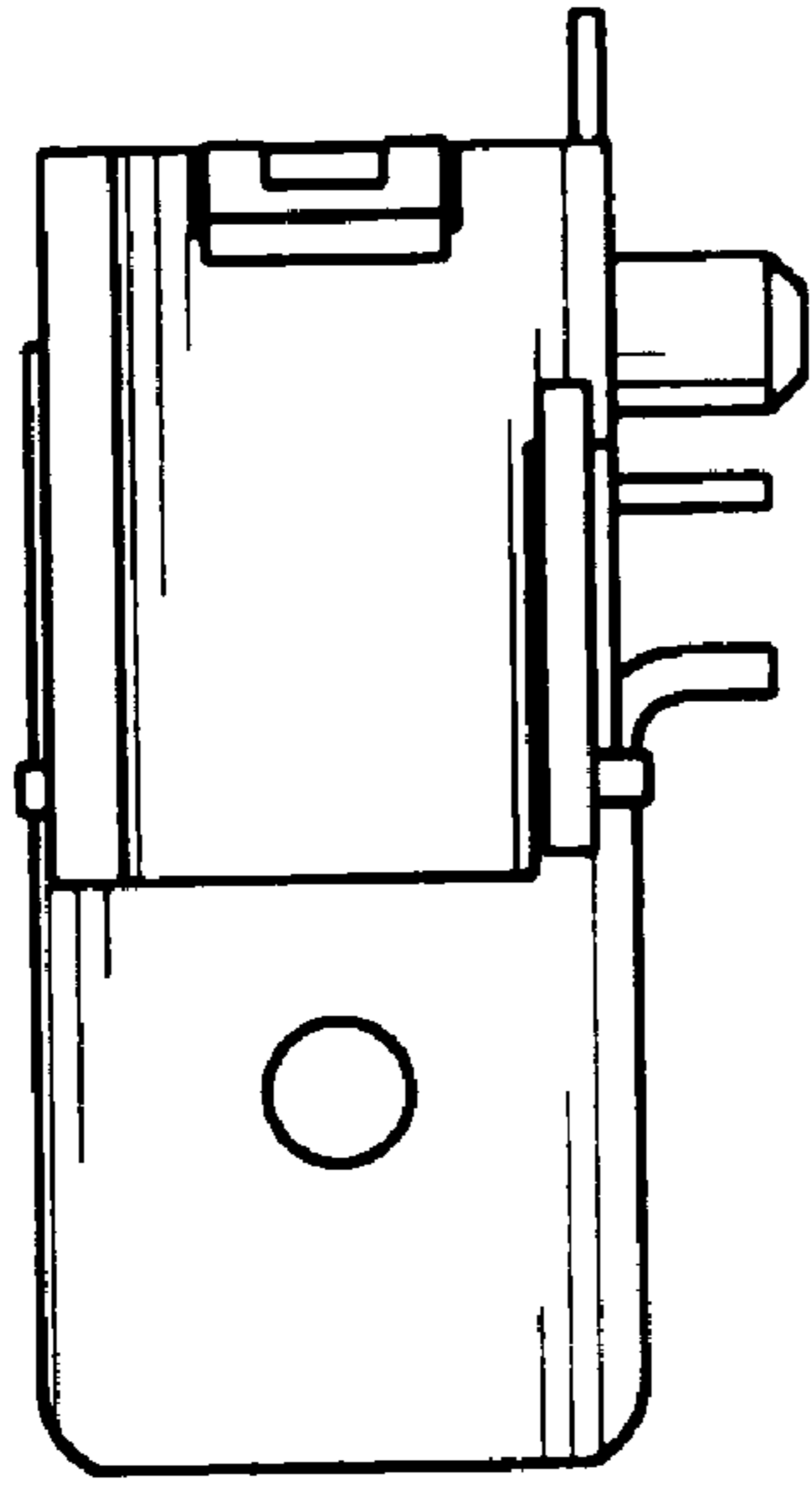


FIG. 5

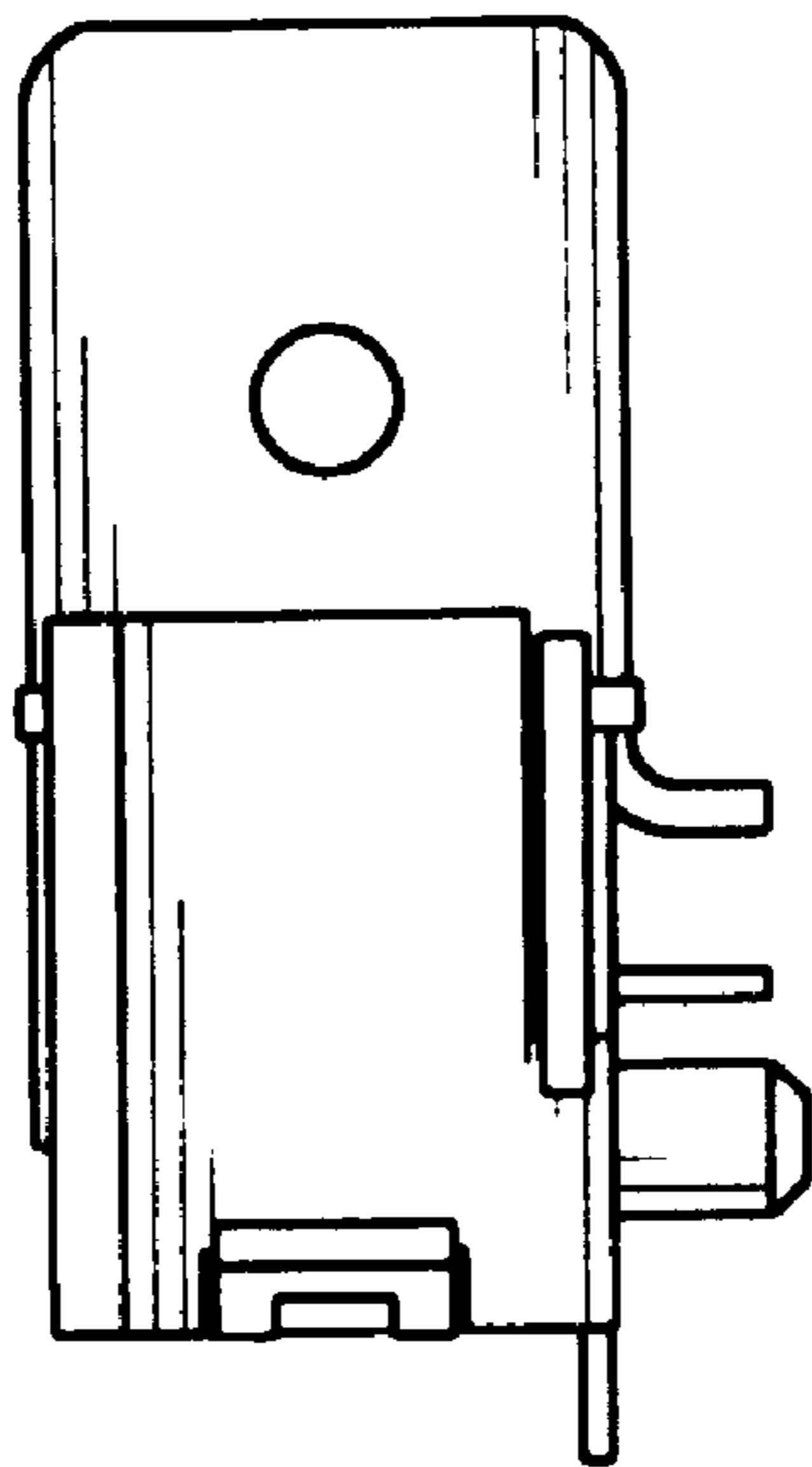


FIG. 4

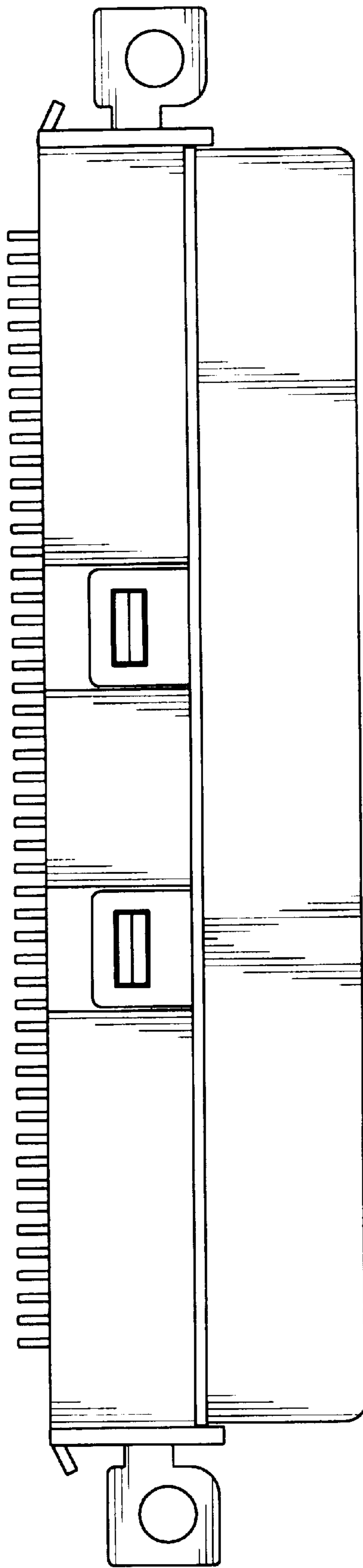


FIG. 6

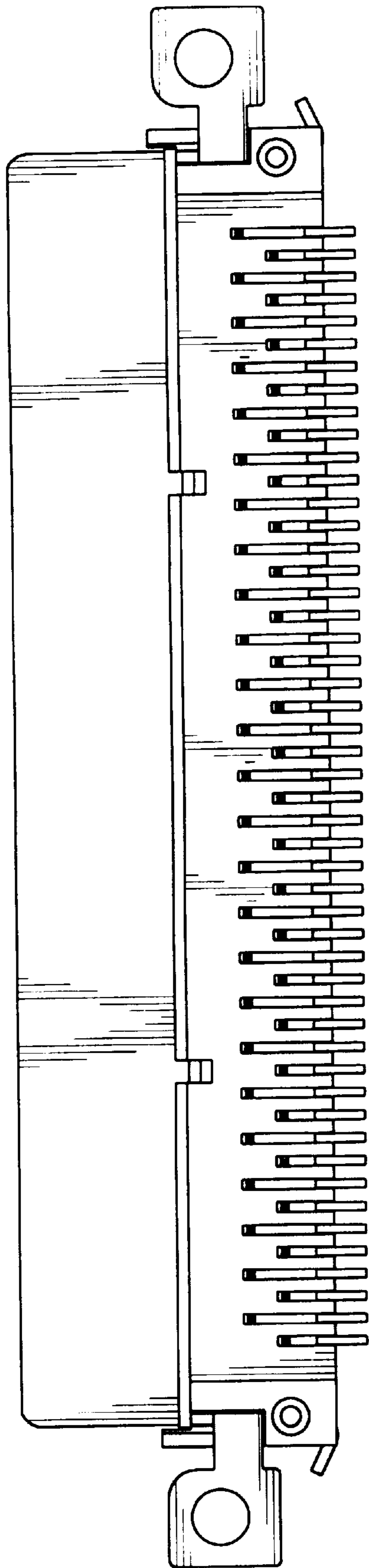


FIG. 7