



US00D431530S

United States Patent [19]

Nishio et al.

[11] Patent Number: **Des. 431,530**

[45] Date of Patent: **** Oct. 3, 2000**

[54] **ELECTRIC CONNECTOR**

[75] Inventors: **Atsushi Nishio; Yoshikazu Abe**, both of Ibaraki-Ken; **Satoru Karahashi**, Ushiku, all of Japan

[73] Assignee: **Mitsumi Electric Co., Ltd.**, Japan

[**] Term: **14 Years**

[21] Appl. No.: **29/110,360**

[22] Filed: **Sep. 3, 1999**

[30] **Foreign Application Priority Data**

Mar. 3, 1999 [JP] Japan 11-5273

[51] **LOC (7) Cl.** **13-03**

[52] **U.S. Cl.** **D13/147**

[58] **Field of Search** D13/146, 147; 439/76.1, 79, 83, 607, 608, 609, 610

[56] **References Cited**

U.S. PATENT DOCUMENTS

D. 344,492 2/1994 Nakamura D13/147

D. 377,007 12/1996 Tan et al. D13/147
D. 409,570 5/1999 Wu D13/147
6,007,381 12/1999 Ando et al. 439/607

Primary Examiner—Joel Sincavage
Attorney, Agent, or Firm—Morrison Law Firm

[57] **CLAIM**

The ornamental design for an electric connector, as shown and described.

DESCRIPTION

FIG. 1 is a front, top, left side perspective view of an electric connector showing our design;
FIG. 2 is a plan view thereof;
FIG. 3 is a front view thereof;
FIG. 4 is a left side view thereof;
FIG. 5 is a right side view thereof;
FIG. 6 is a rear view thereof; and,
FIG. 7 is a bottom view thereof.

1 Claim, 4 Drawing Sheets

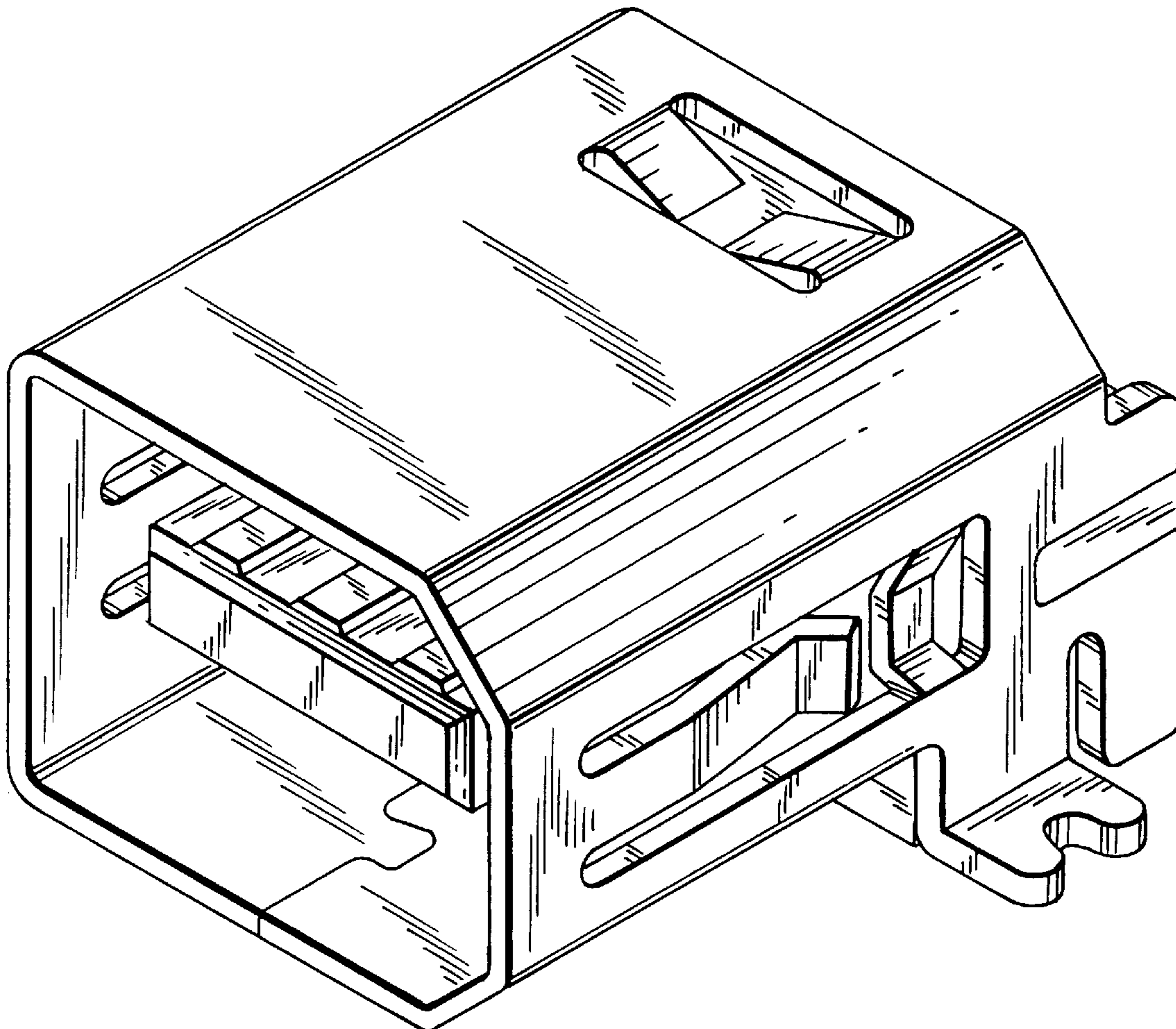
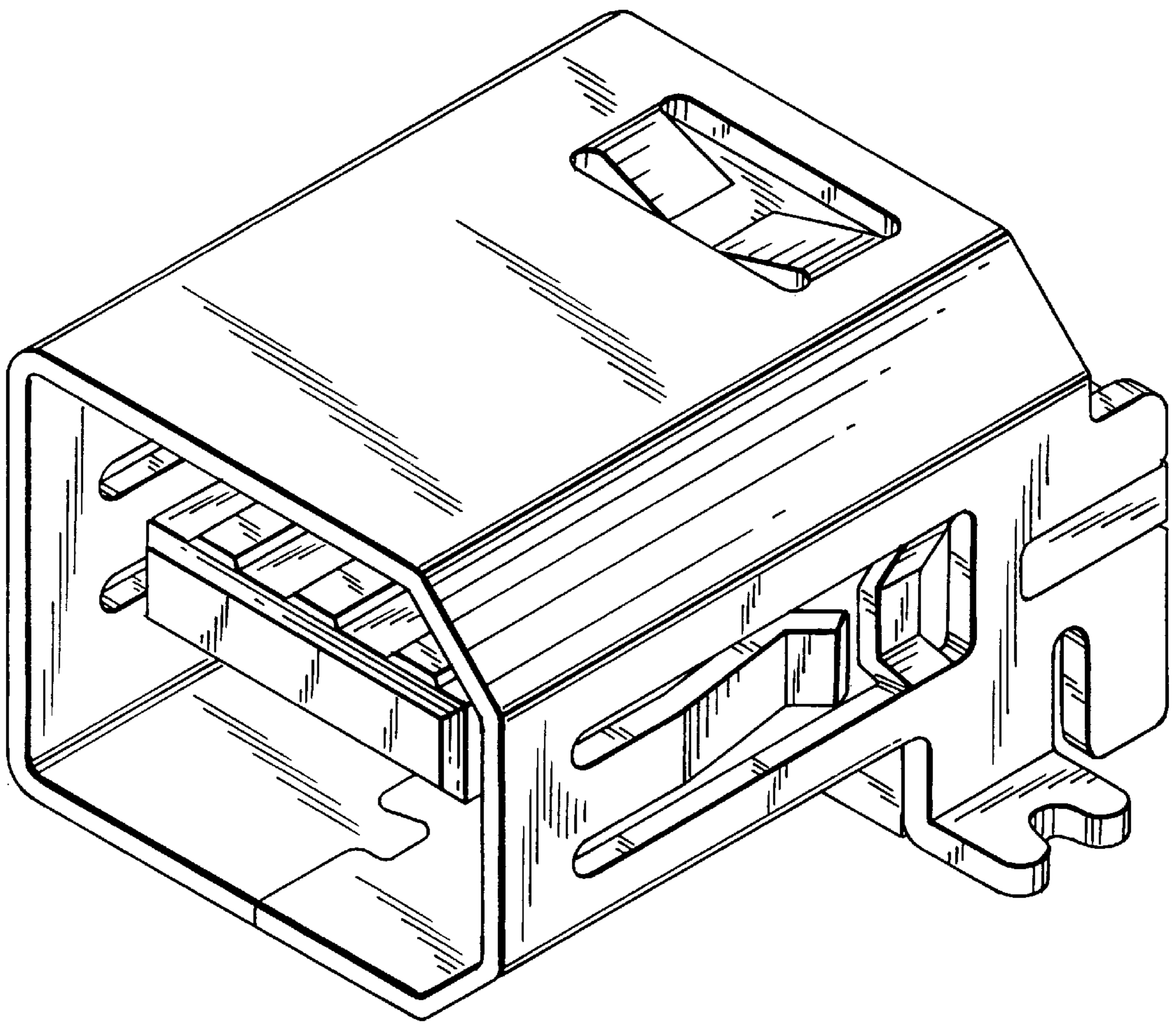


FIG. 1



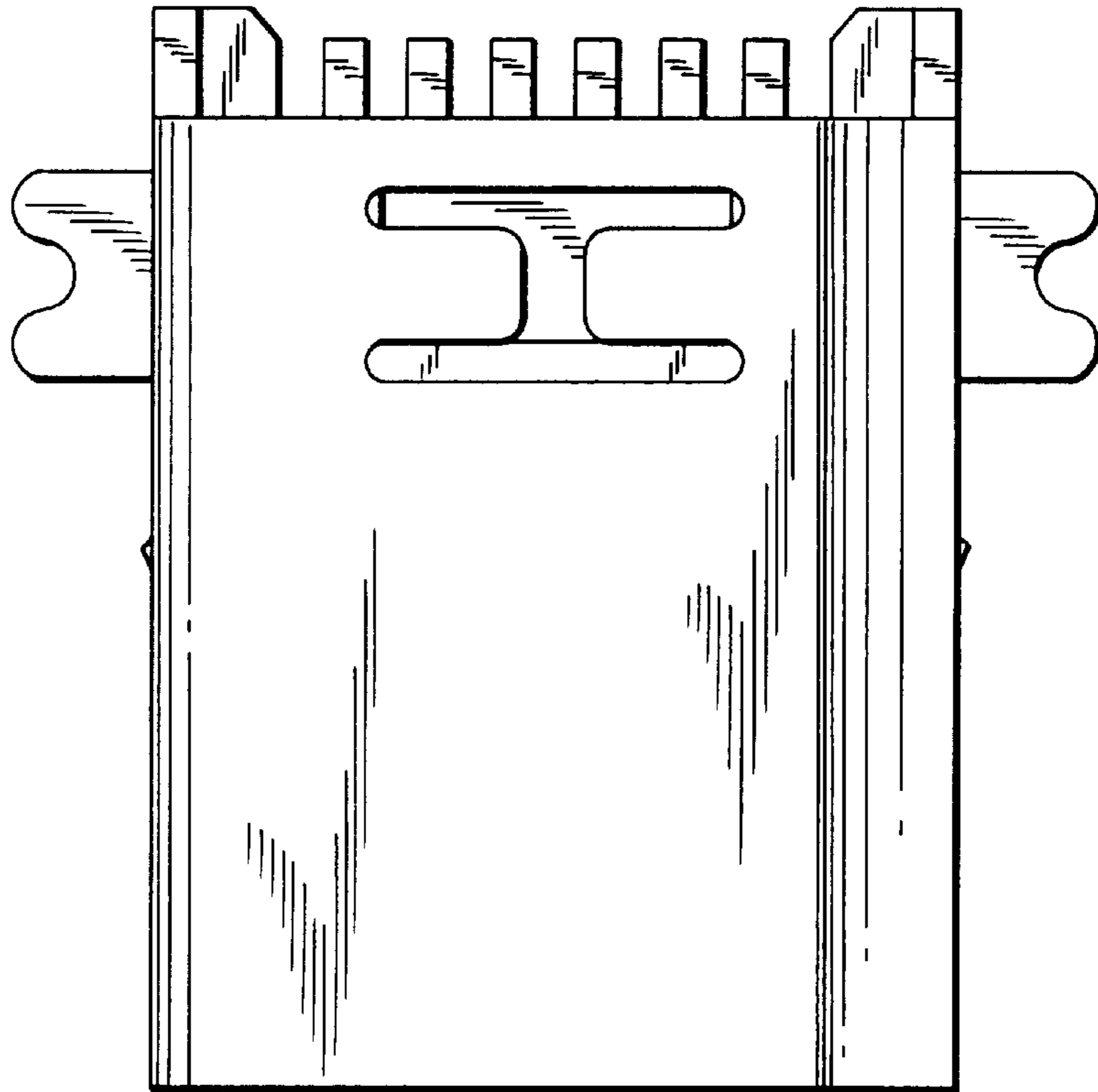


FIG. 2

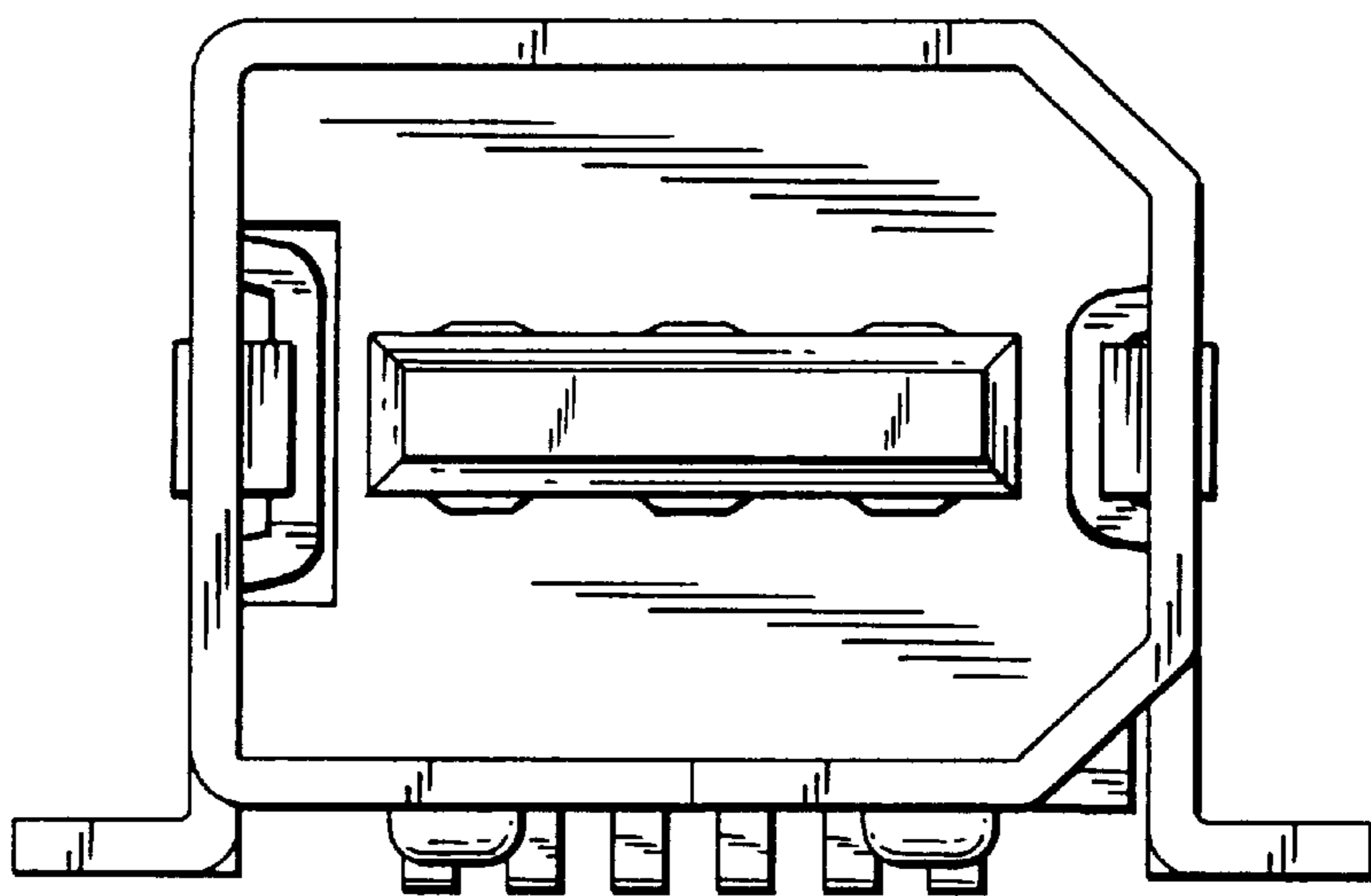


FIG. 3

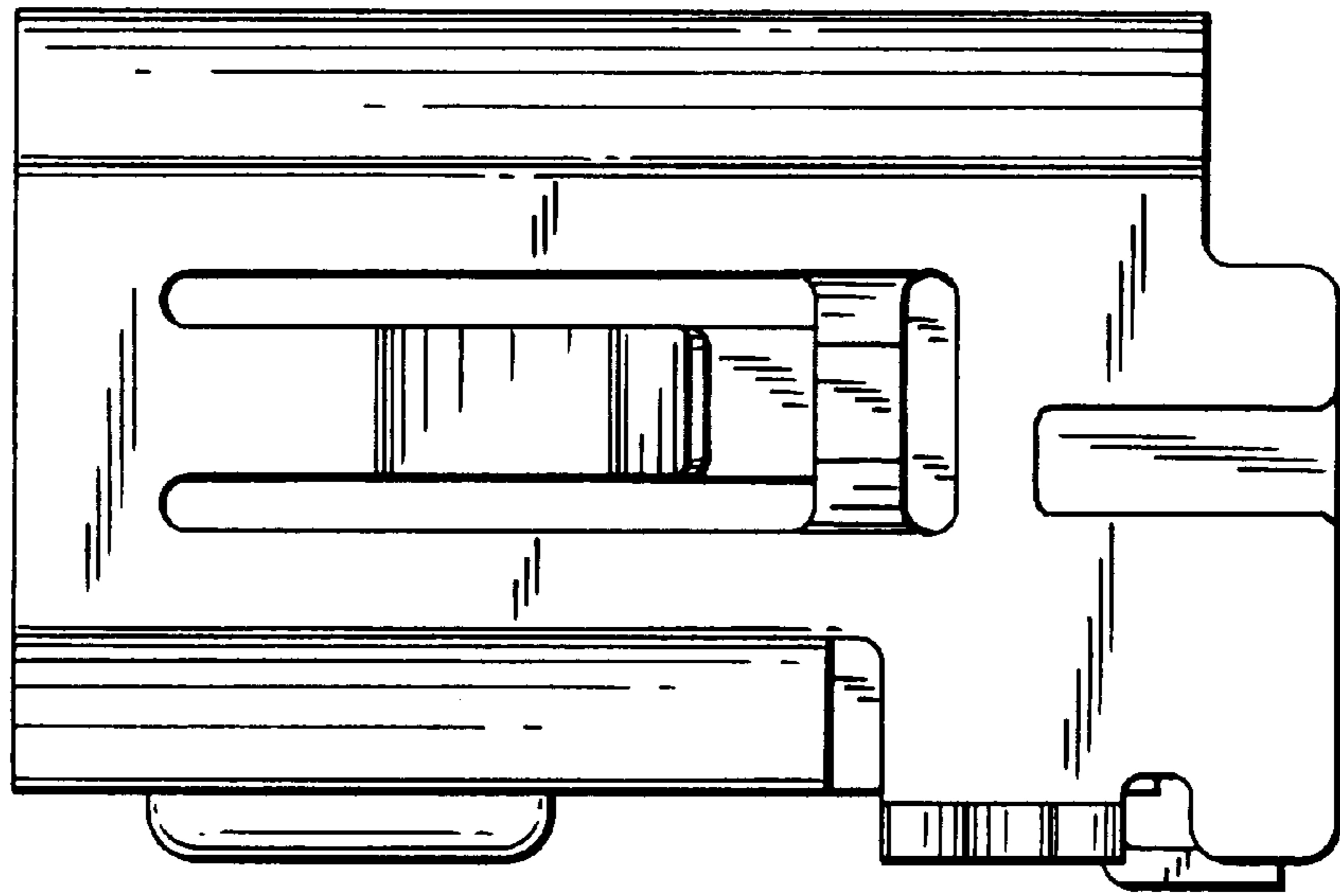


FIG. 4

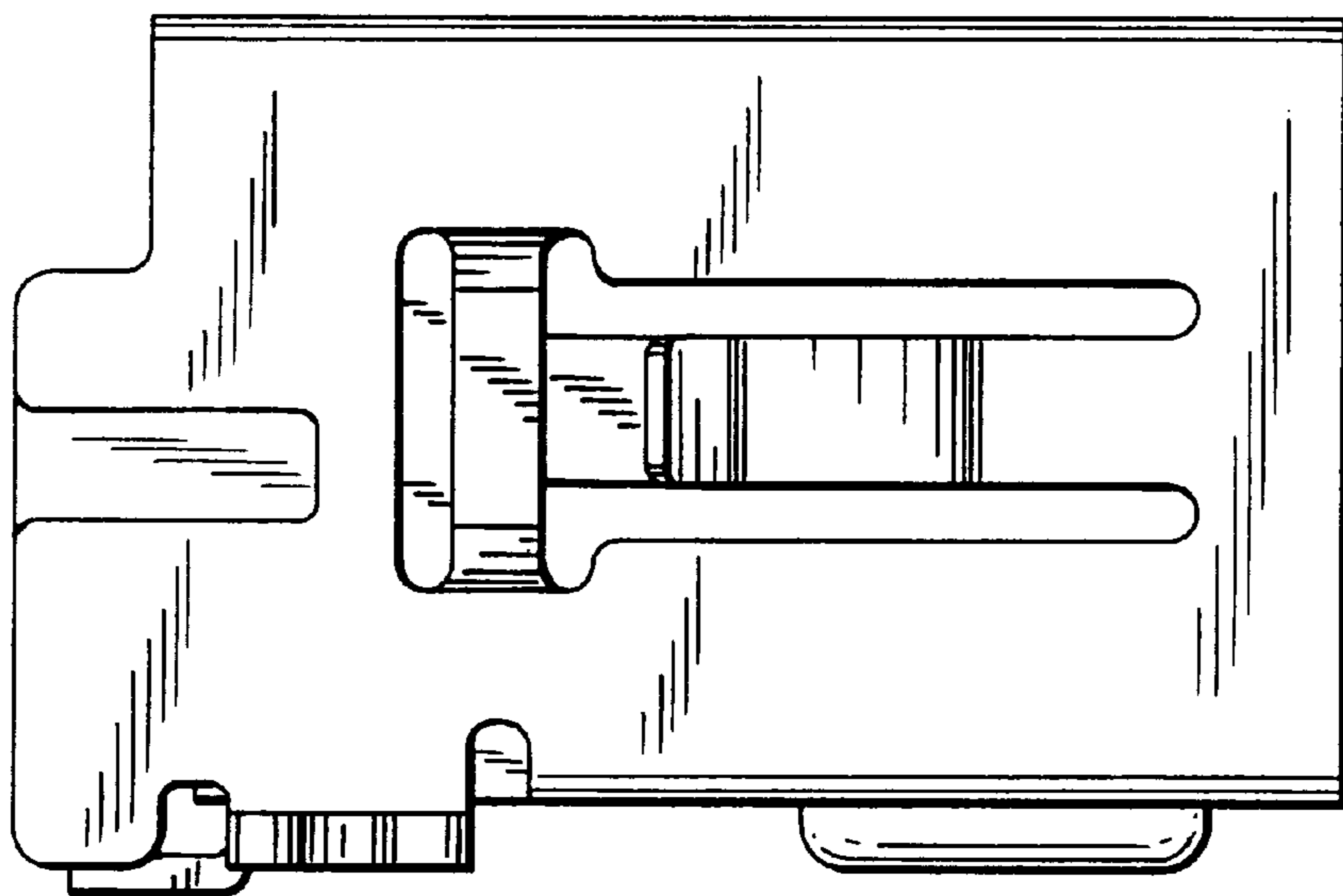


FIG. 5

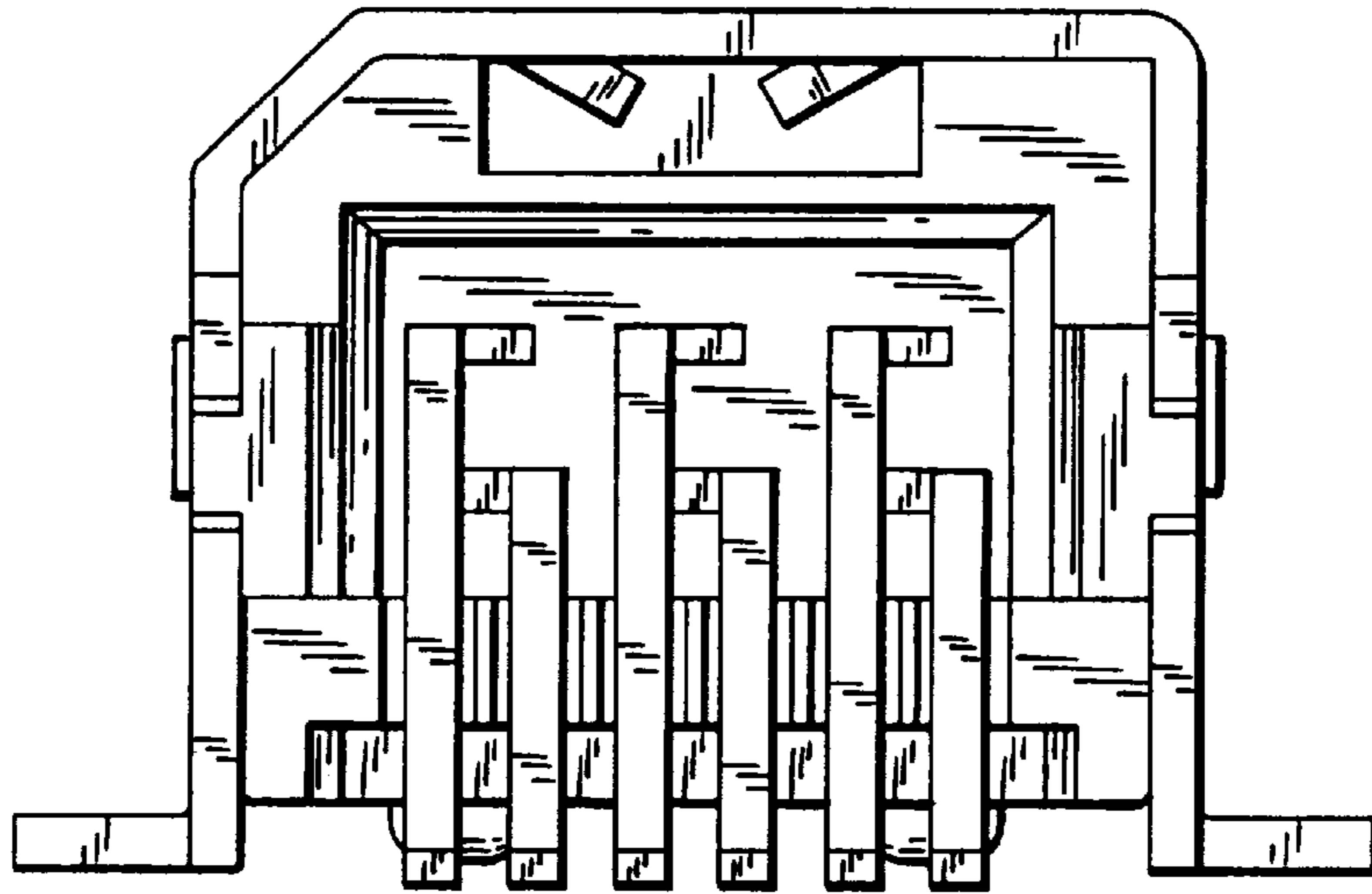


FIG. 6

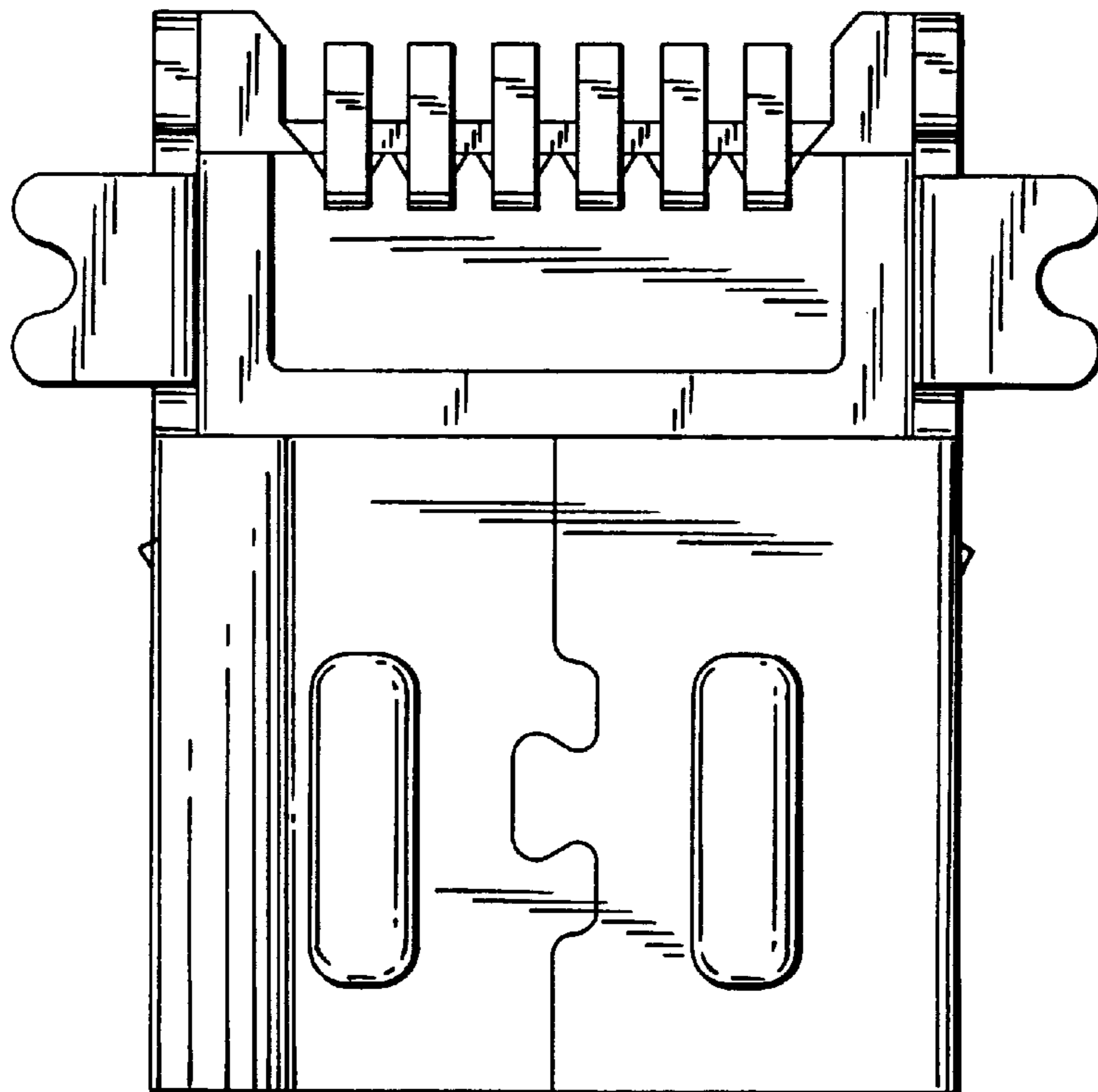


FIG. 7