



US00D431526S

United States Patent [19]

Nishio et al.

[11] **Patent Number: Des. 431,526**

[45] **Date of Patent: ** Oct. 3, 2000**

[54] **DISTRIBUTOR FOR ELECTRONIC CALCULATOR**

5,053,199	10/1991	Keiser et al.	422/68.1
5,187,646	2/1993	Koch	361/684
5,805,416	9/1998	Friend et al.	361/686

[75] Inventors: **Atsushi Nishio**, Ibaraki-ken; **Katsuhiko Hori**, Mito; **Satoru Karahashi**, Ushiku; **Yoshiyuki Kikuchi**, Kasama, all of Japan

Primary Examiner—Joel Sincavage
Attorney, Agent, or Firm—Morrison Law Firm

[73] Assignee: **Mitsumi Electric Co., Ltd.**, Japan

[**] Term: **14 Years**

[57] **CLAIM**

The ornamental design for a distributor for electronic calculator, as shown and described.

[21] Appl. No.: **29/116,721**

DESCRIPTION

[22] Filed: **Jan. 7, 2000**

FIG. 1 is a top, front, right side perspective view of a distributor for electronic calculator showing our design; FIG. 2 is a bottom, rear, left side perspective view thereof; FIG. 3 is a top plan view thereof; FIG. 4 is a front elevational view thereof; FIG. 5 is a right side elevational view thereof; FIG. 6 is a left side elevational view thereof; FIG. 7 is a rear elevational view thereof; and, FIG. 8 is a bottom plan view thereof.

[30] **Foreign Application Priority Data**

Jul. 7, 1999 [JP] Japan 11-18091

[51] **LOC (7) Cl.** **13-02**

[52] **U.S. Cl.** **D13/123**

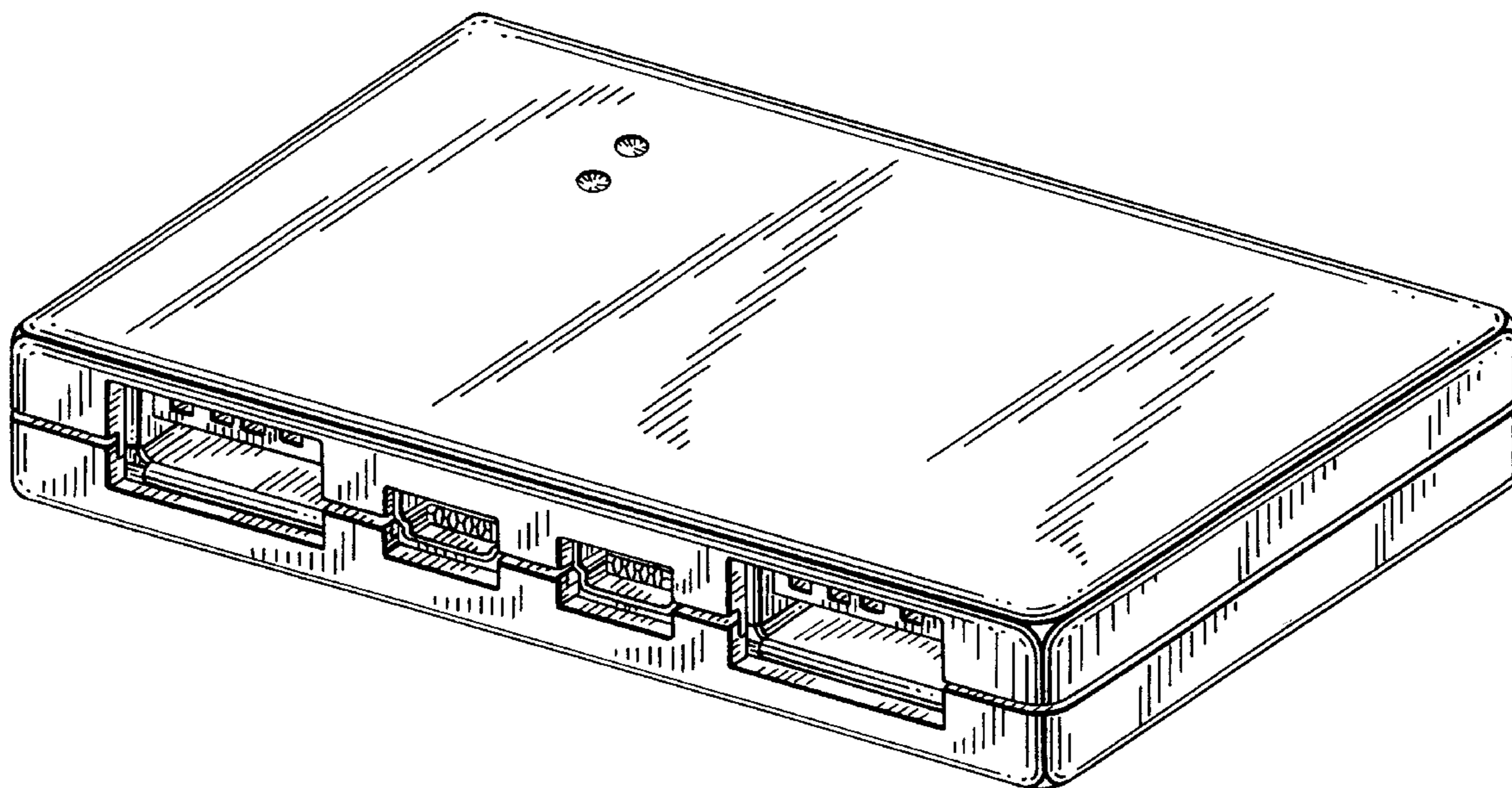
[58] **Field of Search** D13/123, 147; D18/12; D14/434; 439/620, 638; 235/486

[56] **References Cited**

U.S. PATENT DOCUMENTS

D. 313,404 1/1991 Myers D14/434

1 Claim, 5 Drawing Sheets



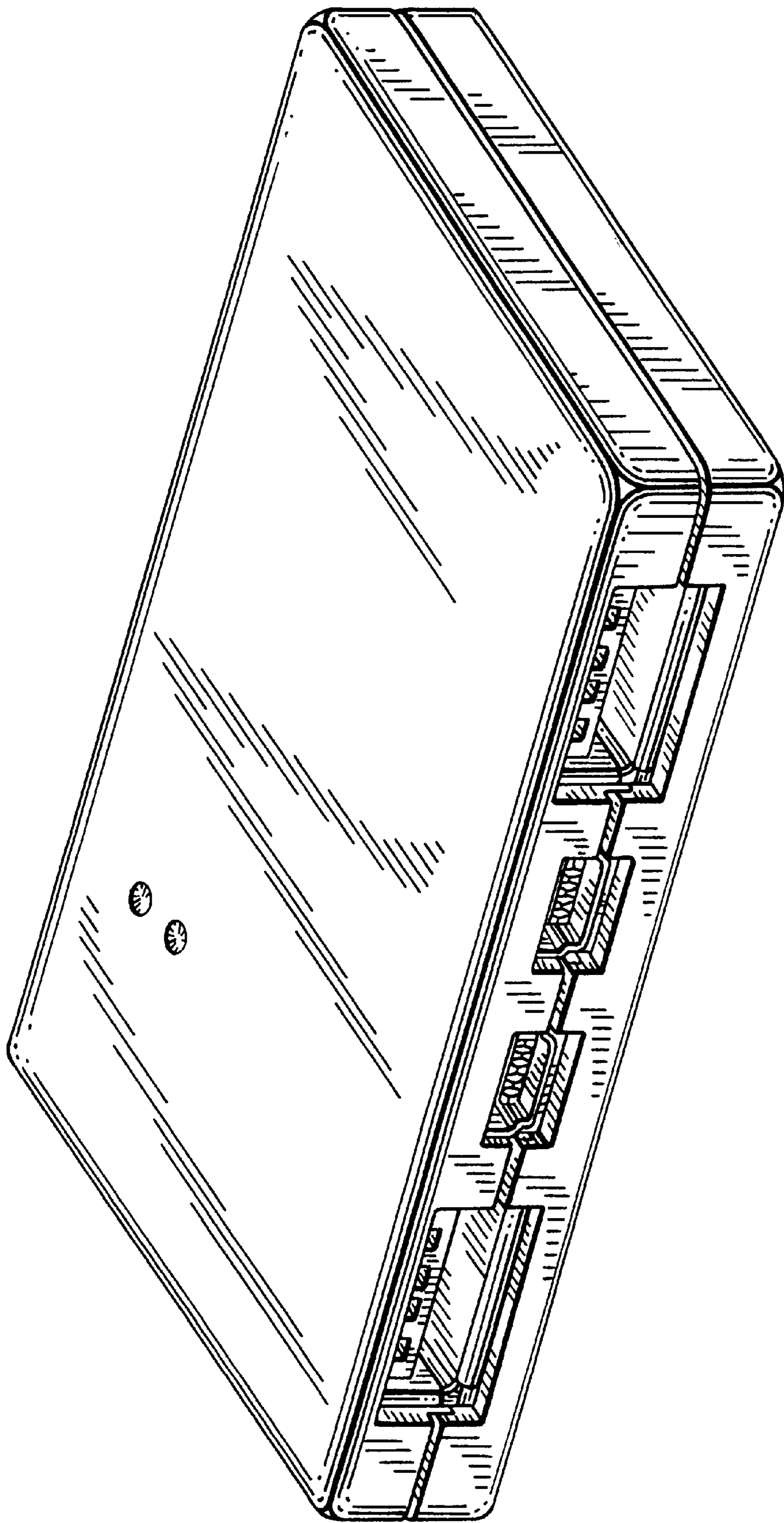


FIG. 1

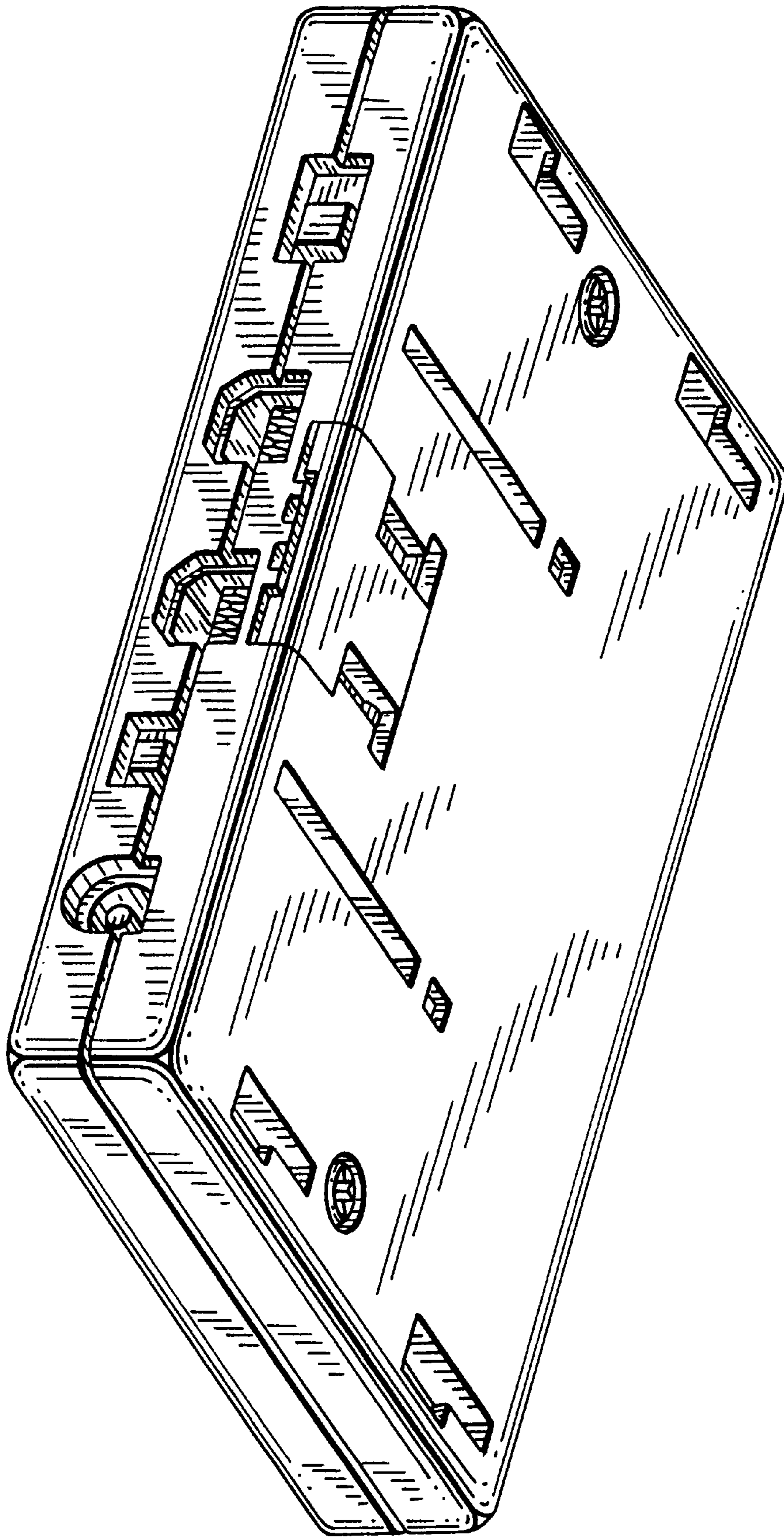


FIG. 2

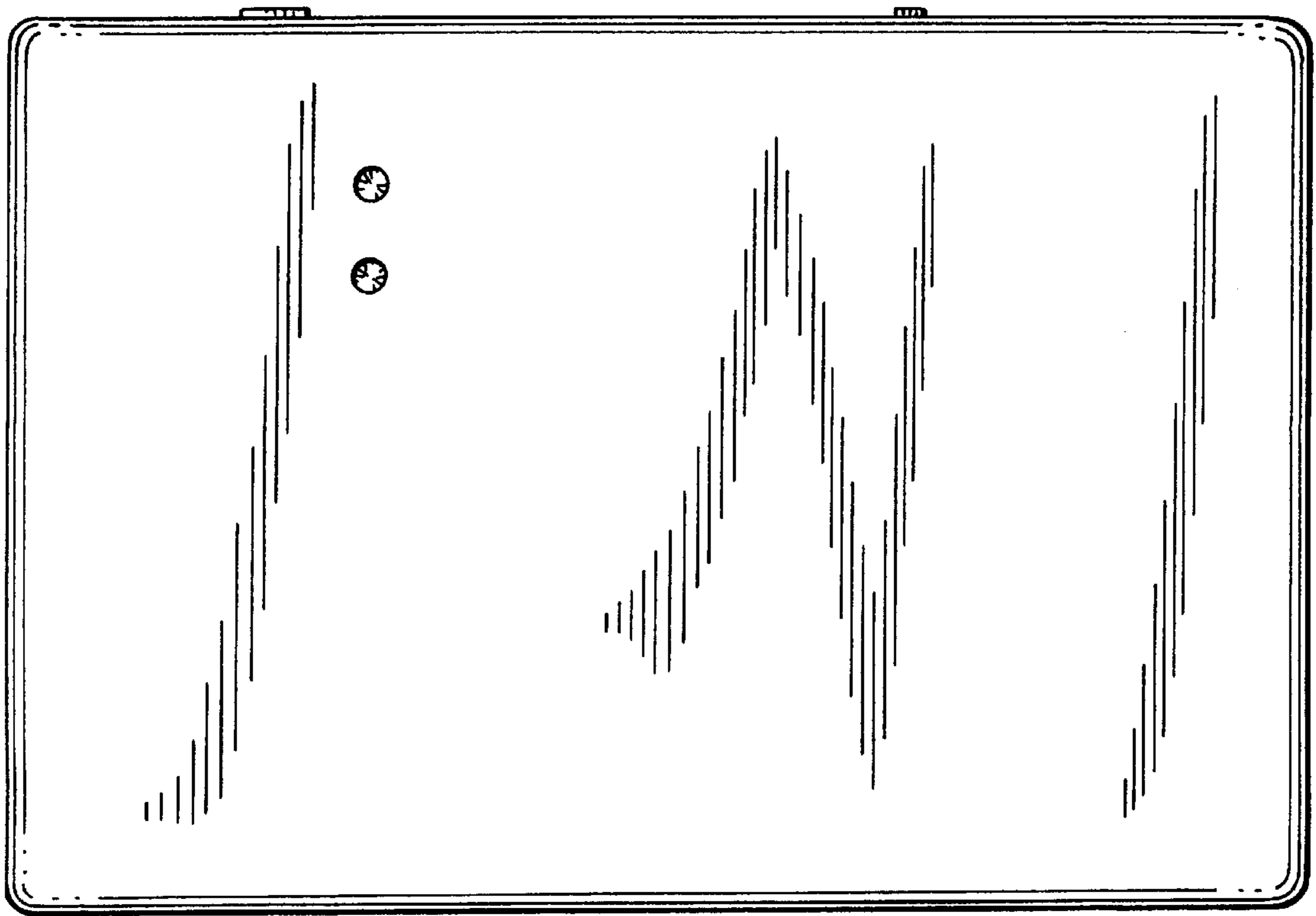


FIG. 3

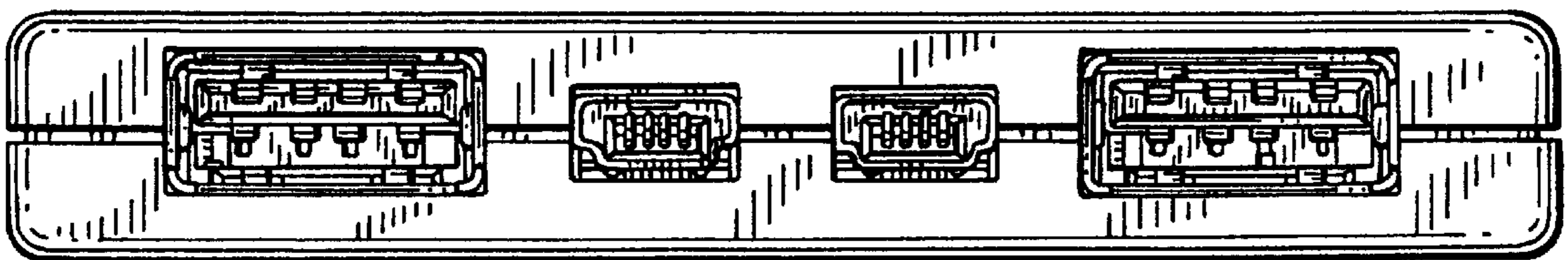


FIG. 4

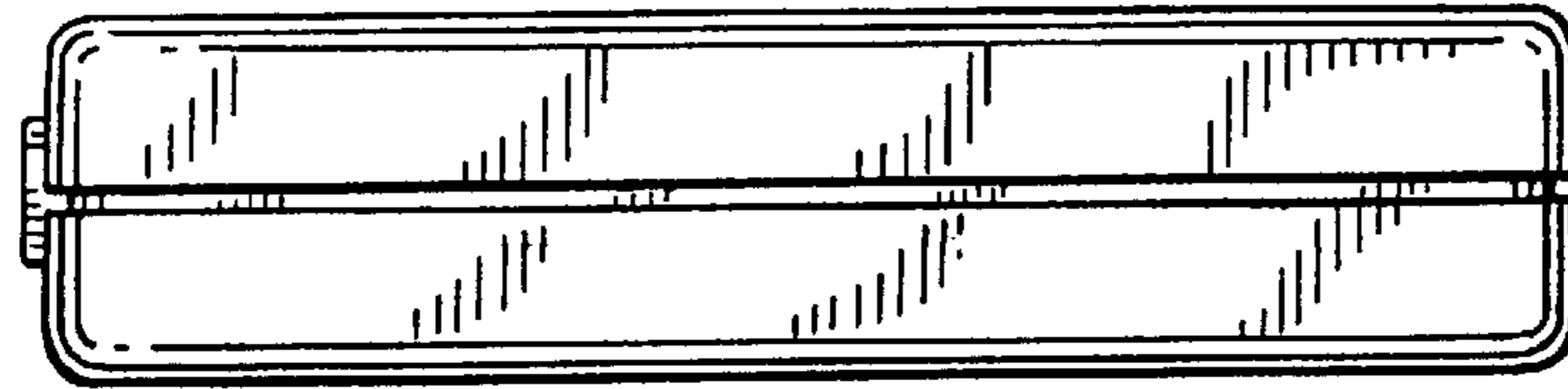


FIG. 5

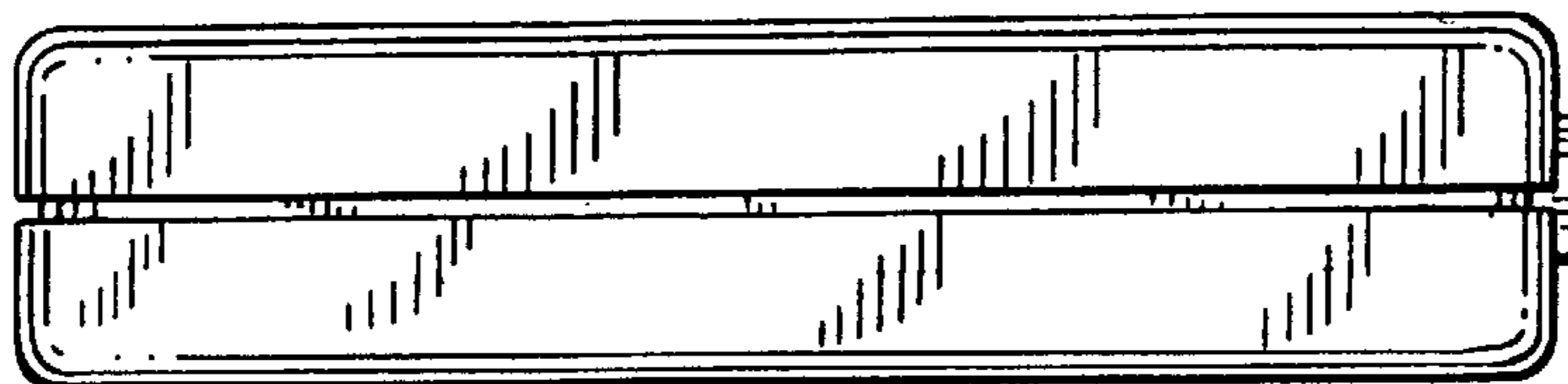


FIG. 6

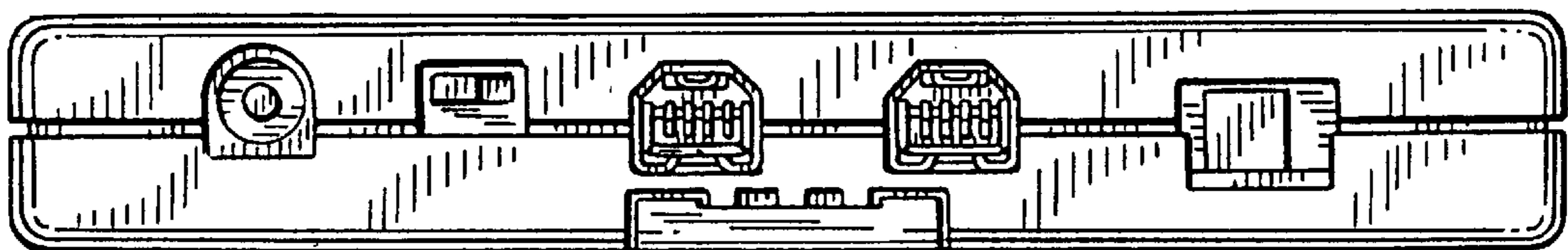


FIG. 7

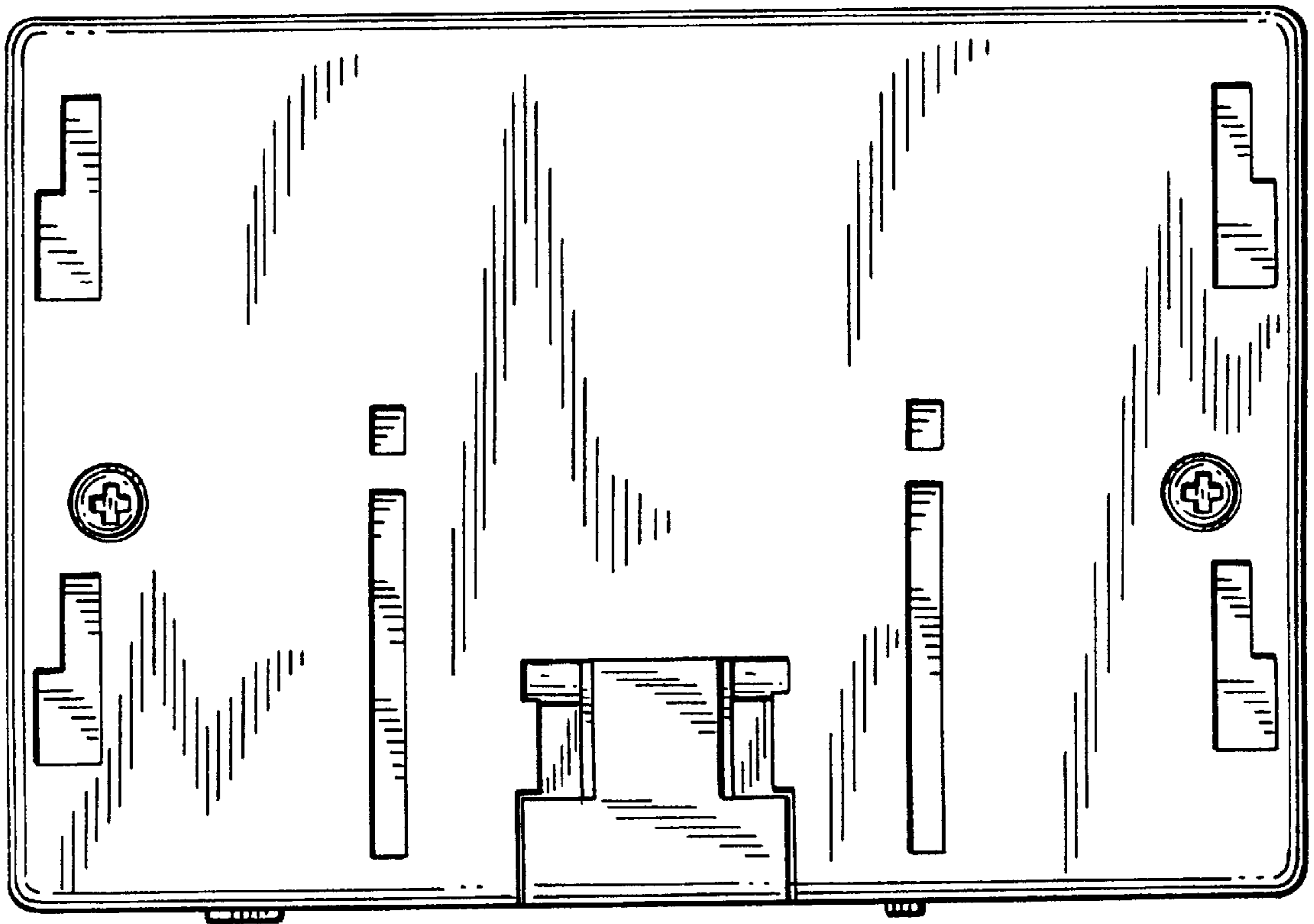


FIG. 8