



US00D431523S

# United States Patent [19]

Smith et al.

[11] Patent Number: **Des. 431,523**

[45] Date of Patent: **\*\* Oct. 3, 2000**

[54] **BICYCLE RACK FOR A PICKUP TRUCK**

5,836,490 11/1998 Price ..... 224/403

[75] Inventors: **Timothy C. Smith; Gregory A. Dean,**  
both of McKinleyville; **Scott R. Allen,**  
Fieldbrook, all of Calif.

*Primary Examiner*—Alan P. Douglas  
*Assistant Examiner*—Linda Brooks  
*Attorney, Agent, or Firm*—Kolisch, Hartwell, Dickinson,  
McCormack & Heuser

[73] Assignee: **Yakima Products, Inc.,** Arcata, Calif.

### [57] CLAIM

[\*\*] Term: **14 Years**

The ornamental design for a bicycle rack for a pickup truck,  
as shown and described.

[21] Appl. No.: **29/119,327**

[22] Filed: **Feb. 25, 2000**

### DESCRIPTION

[51] **LOC (7) Cl.** ..... **12-16**

[52] **U.S. Cl.** ..... **D12/408**

[58] **Field of Search** ..... D12/406-408,  
D12/412, 414.1; 224/42.32, 42.37, 402,  
924, 403, 545, 548; 211/17; 248/126; D6/462;  
296/3

FIG. 1 is an isometric view of a bicycle rack for a pickup truck constructed in accordance with the present invention; FIG. 2 is an enlarged right side view of the embodiment of FIG. 1, the left side being a mirror image of the right side; FIG. 3 is an enlarged back view of the embodiment of FIG. 1; FIG. 4 is an enlarged front view of the embodiment of FIG. 1; FIG. 5 is an enlarged top view of the embodiment of FIG. 1; and, FIG. 6 is an enlarged bottom view of the embodiment of FIG. 1.

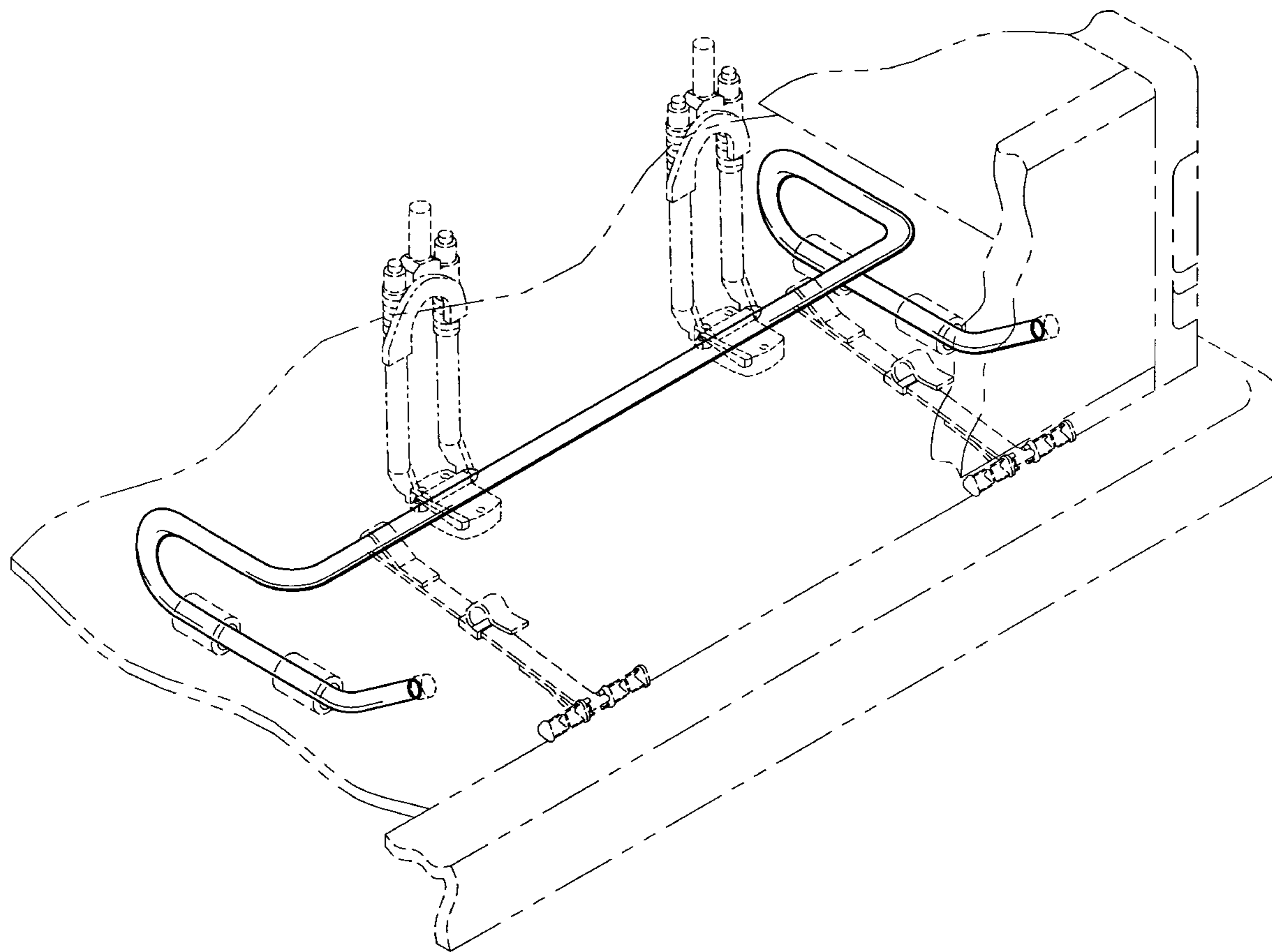
### [56] References Cited

#### U.S. PATENT DOCUMENTS

D. 318,447	7/1991	Haugen et al.	.....	D12/412
D. 329,414	9/1992	Herzig	.....	D12/406
D. 362,654	9/1995	Keith	.....	D12/406
D. 412,482	8/1999	Chen	.....	D12/408
5,516,020	5/1996	Lawler et al.	.....	224/402 X

The broken lines shown in FIG. 1 are for illustrative purposes only and form no part of the claimed design.

**1 Claim, 4 Drawing Sheets**



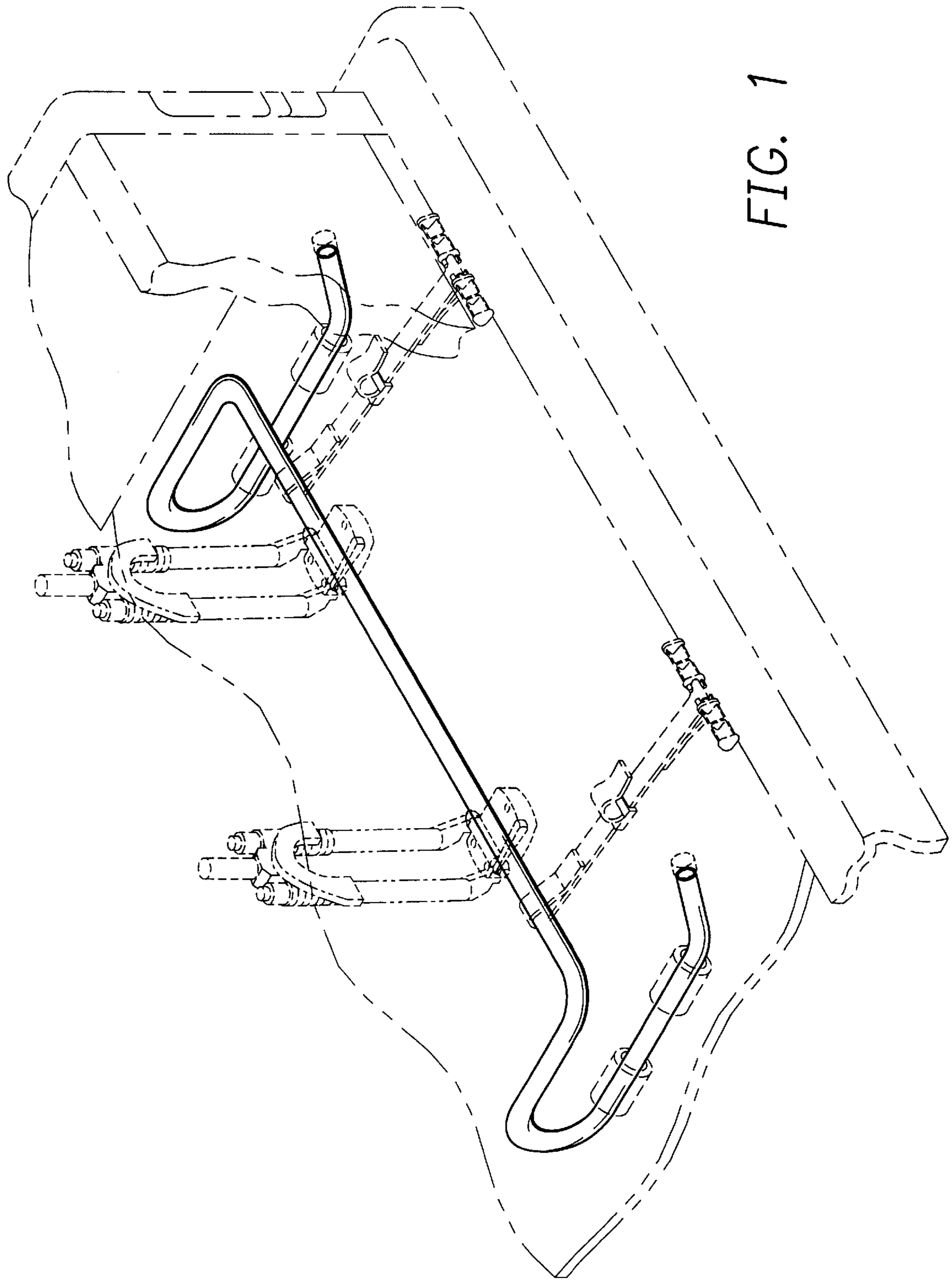


FIG. 1

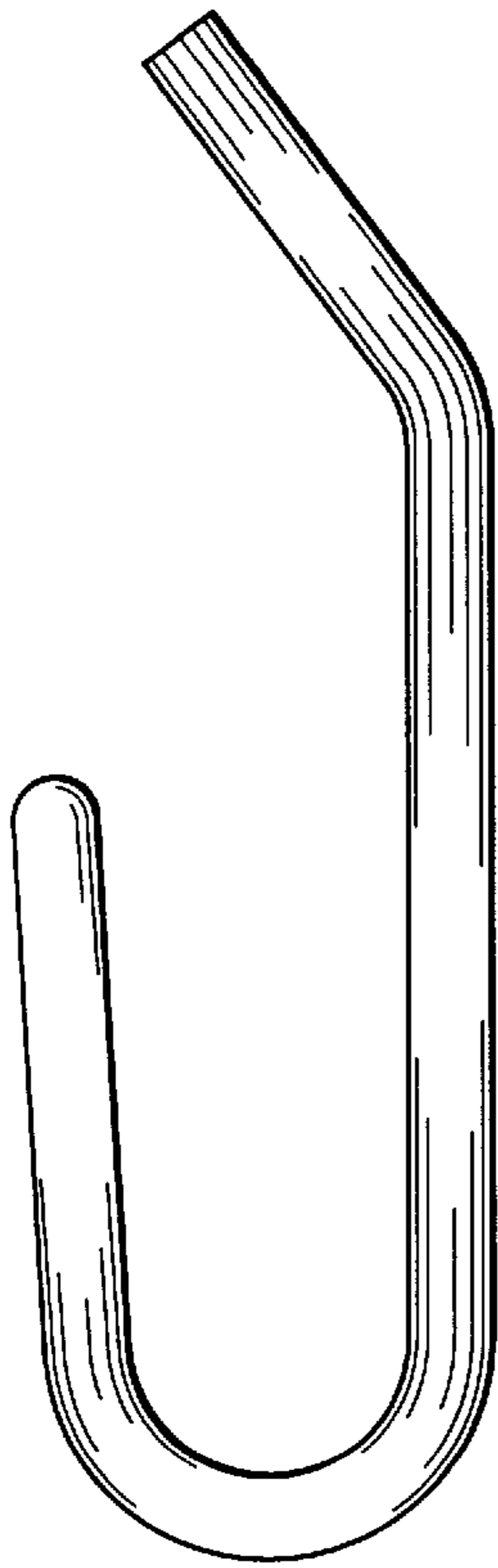


FIG. 2

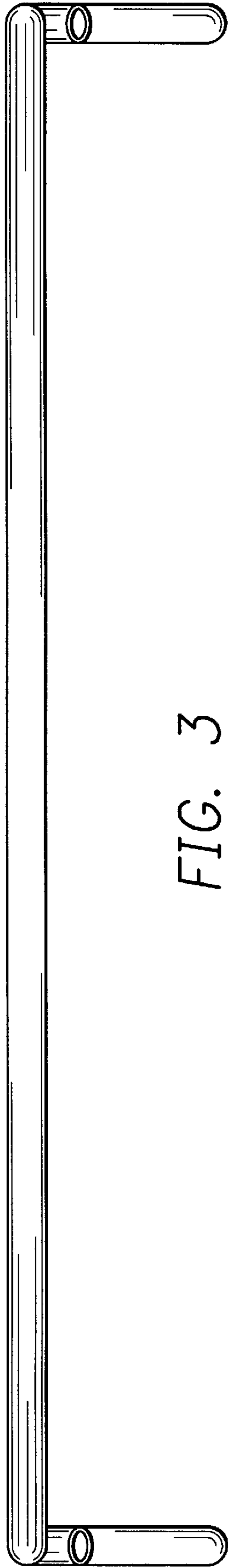


FIG. 3

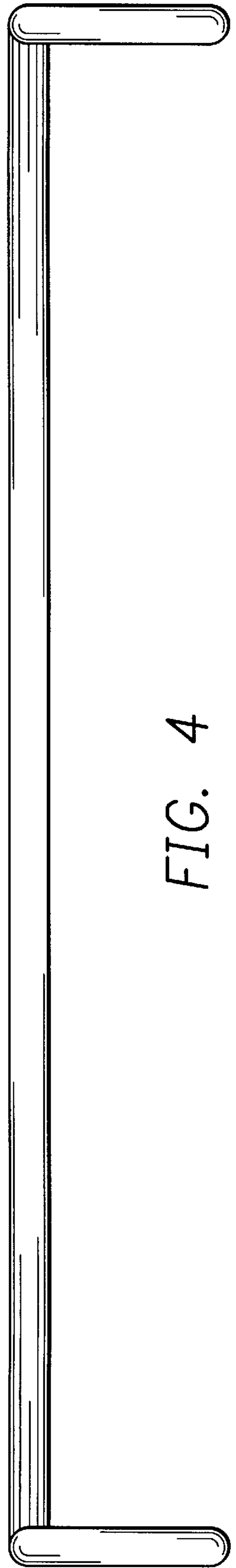


FIG. 4

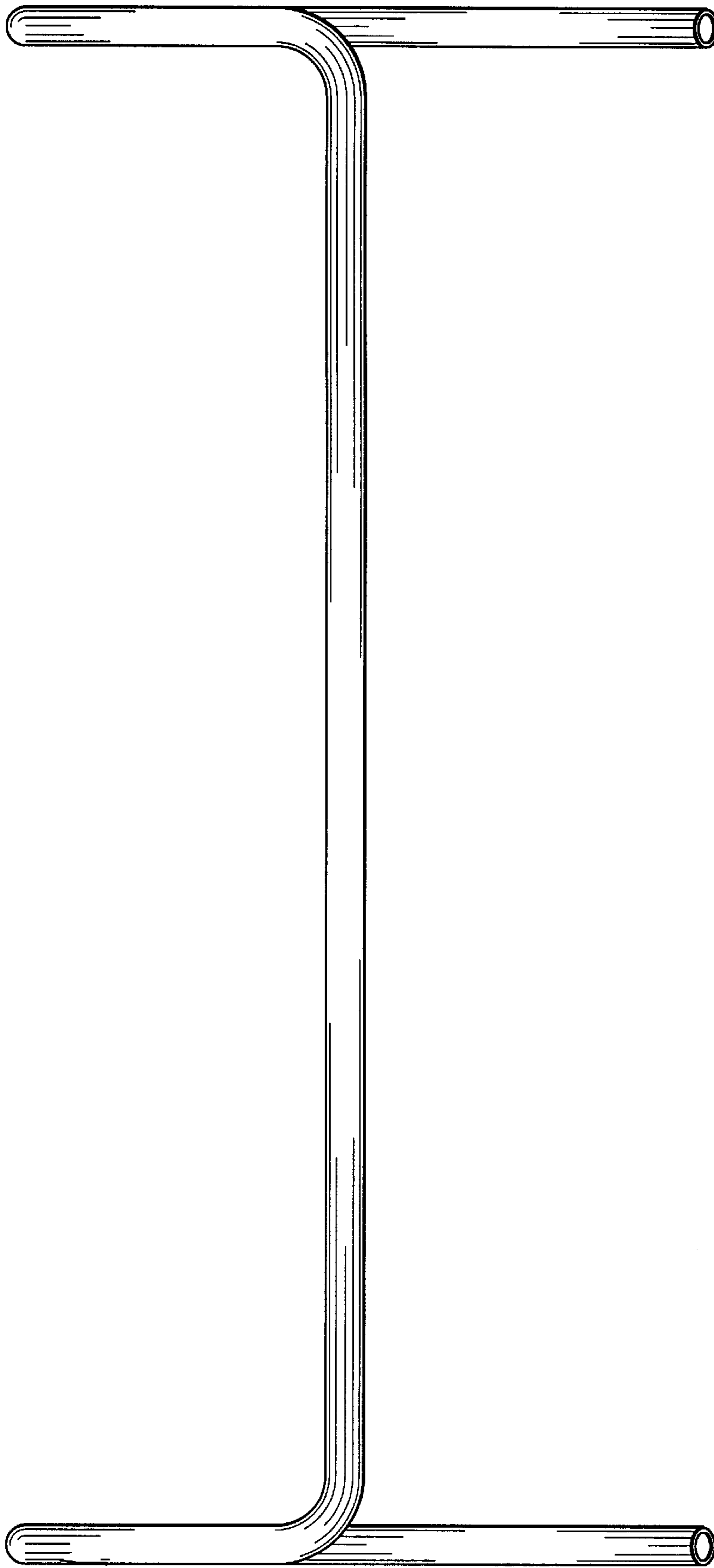


FIG. 5

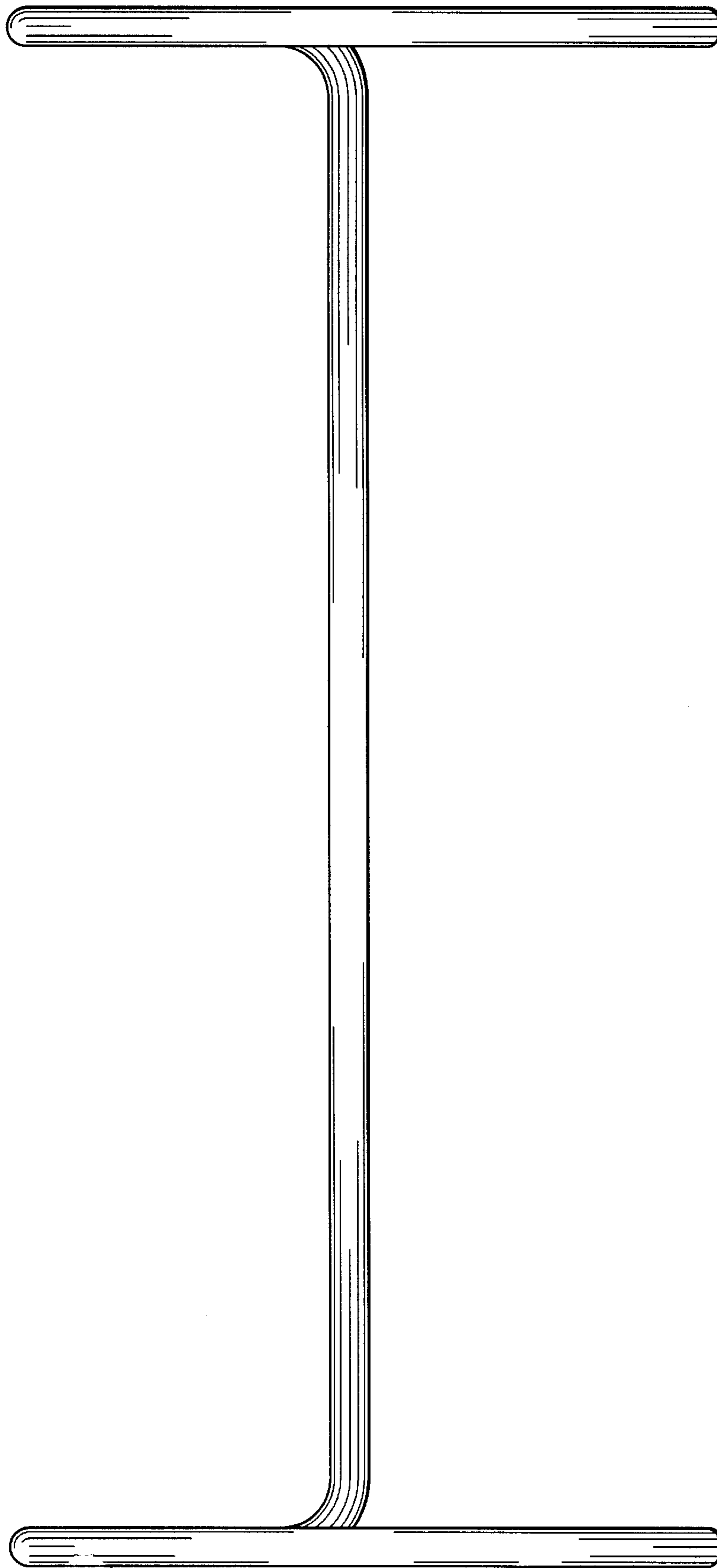


FIG. 6