



US00D431519S

United States Patent [19]
Cicansky

[11] **Patent Number: Des. 431,519**

[45] **Date of Patent: ** Oct. 3, 2000**

[54] **SCREEN FOR A CAR/TRUCK**

Attorney, Agent, or Firm—Ridout & Maybee

[76] Inventor: **Joseph Cicansky**, Box 506, White City,
Saskatchewan, Canada, S0G 5B0

[57] **CLAIM**

[**] Term: **14 Years**

The ornamental design for a screen for a car/truck, as shown and described.

[21] Appl. No.: **29/104,243**

DESCRIPTION

[22] Filed: **Apr. 30, 1999**

FIG. 1 is a front elevational view of a screen for a car/truck showing my new design;

[51] **LOC (7) Cl.** **12-16**

FIG. 2 is a front elevational view of the screen of FIG. 1;

[52] **U.S. Cl.** **D12/216**

FIG. 3 is a side elevational view of the screen of FIG. 1;

[58] **Field of Search** D12/216, 163,
D12/90-92; 180/68.6

FIG. 4 is a top plan view of the screen of FIG. 1.

FIG. 5 is a front elevational view of a second embodiment of the screen for a car/truck showing my new design;

[56] **References Cited**

U.S. PATENT DOCUMENTS

- D. 350,504 9/1994 Nixon D12/91
- D. 400,482 11/1998 Davis et al. D12/216
- D. 403,650 1/1999 Cicansky D12/216
- D. 412,310 7/1999 Cicansky D12/216
- D. 420,968 2/2000 Cicansky D12/216

FIG. 6 is a front elevational view of the screen of FIG. 5;

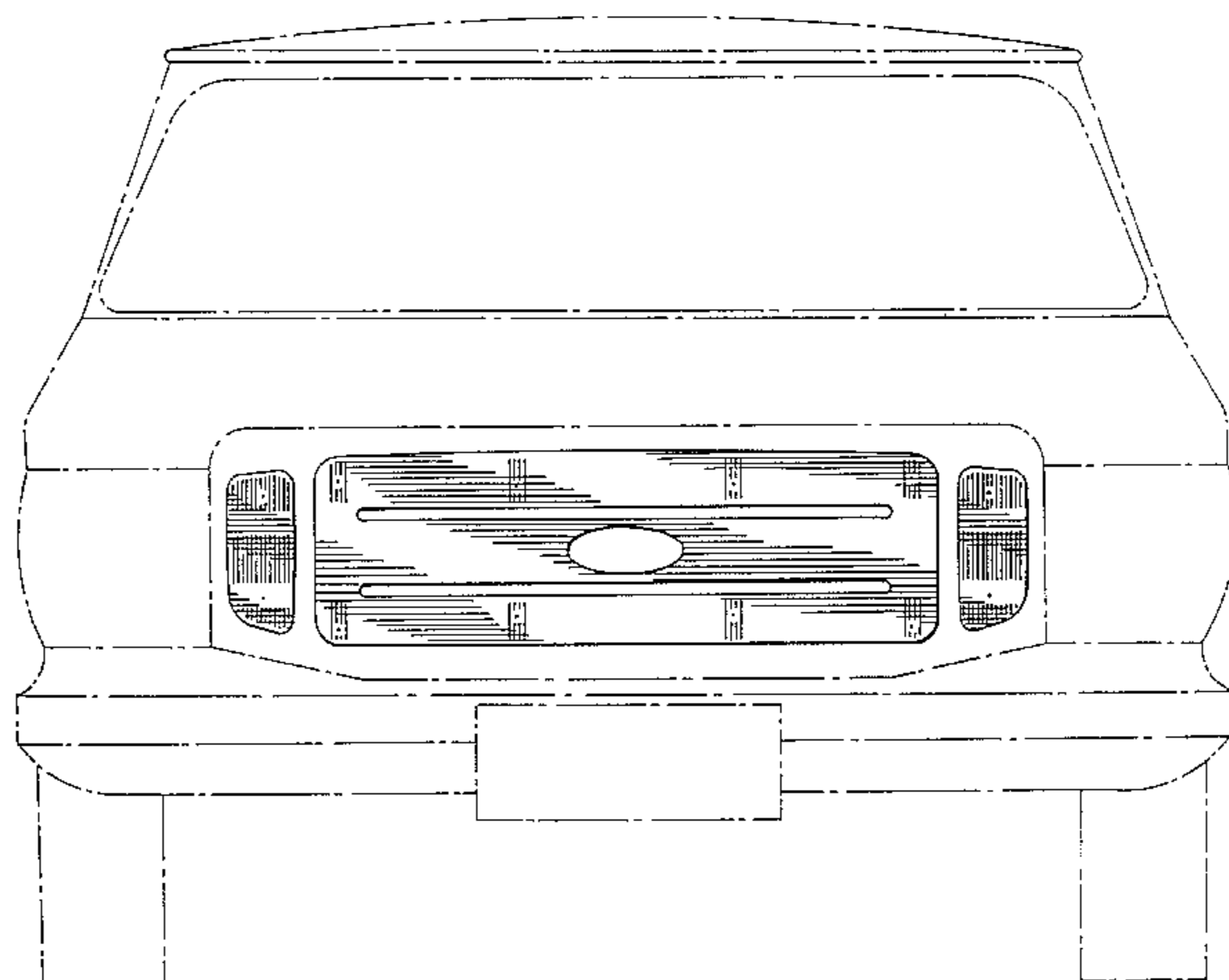
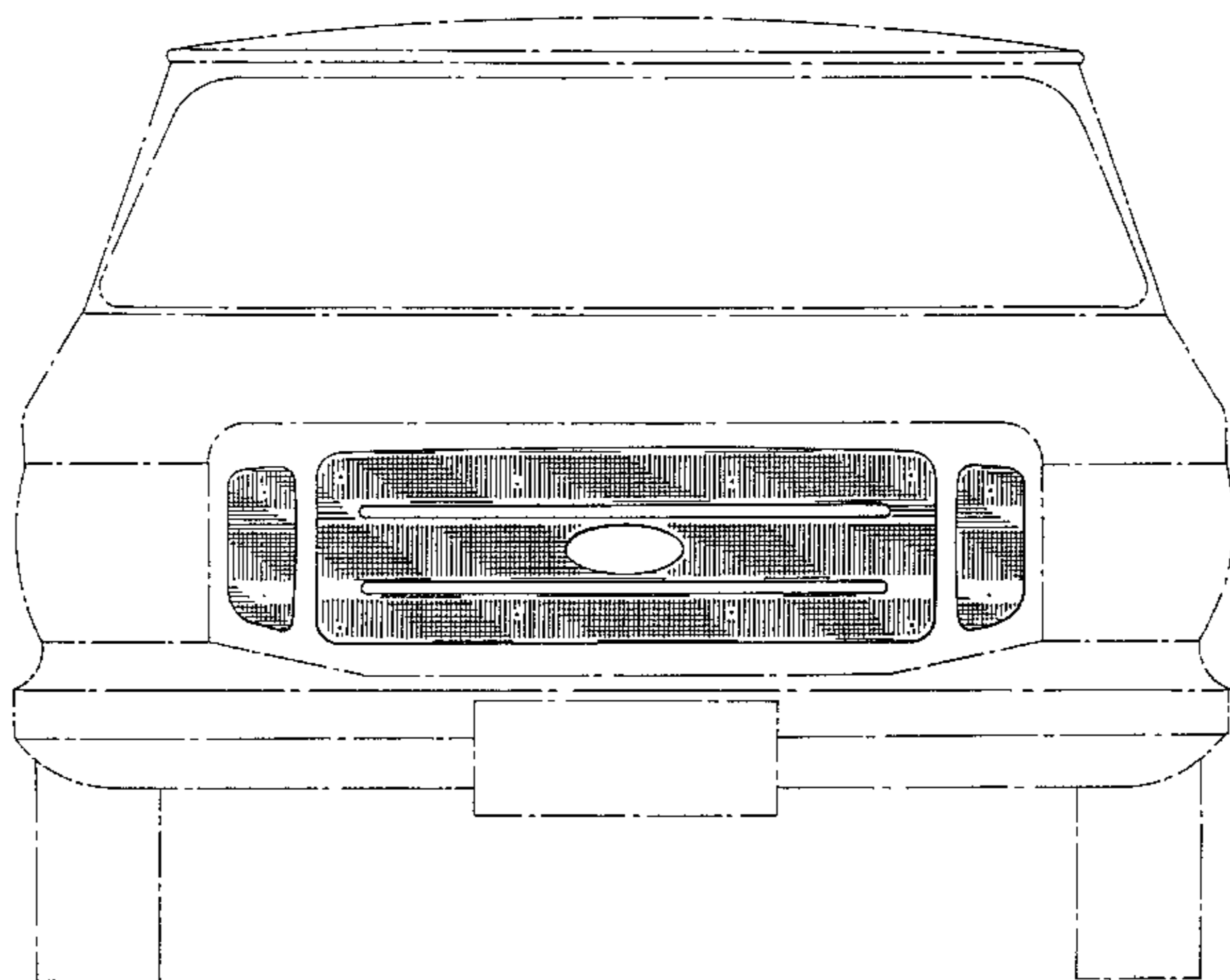
FIG. 7 is a side elevational view of the screen of FIG. 5; and,

FIG. 8 is a top plan view of the screen of FIG. 5.

The broken lines of FIGS. 1 and 5 represent a vehicle and are for illustrative purposes only and form no part of the claimed design. The rear elevational view of the design is not visible in its intended use and is flat.

Primary Examiner—Melody N. Brown

1 Claim, 4 Drawing Sheets



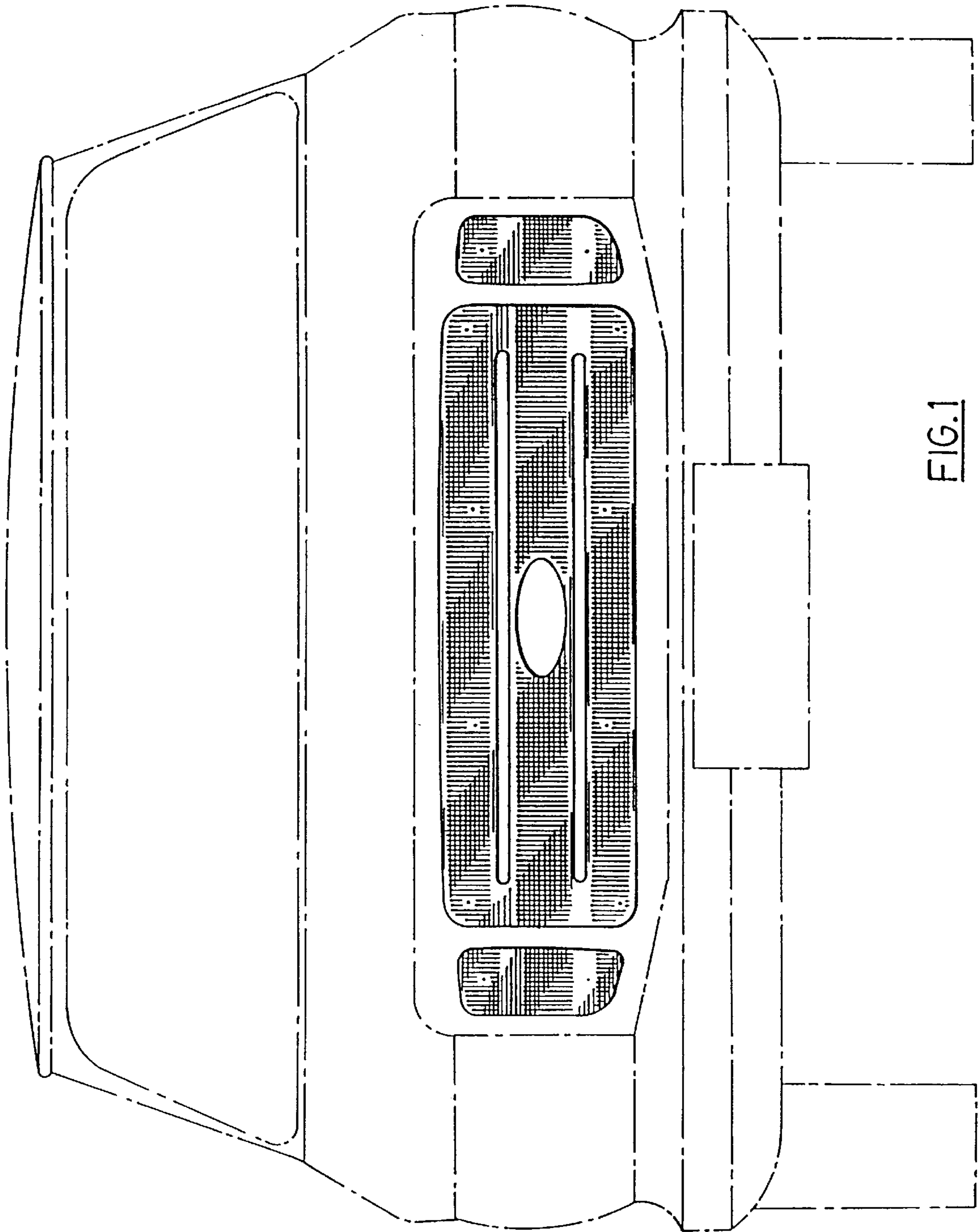


FIG. 1

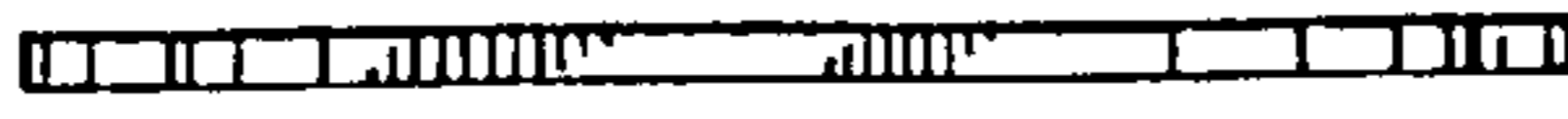


FIG. 3

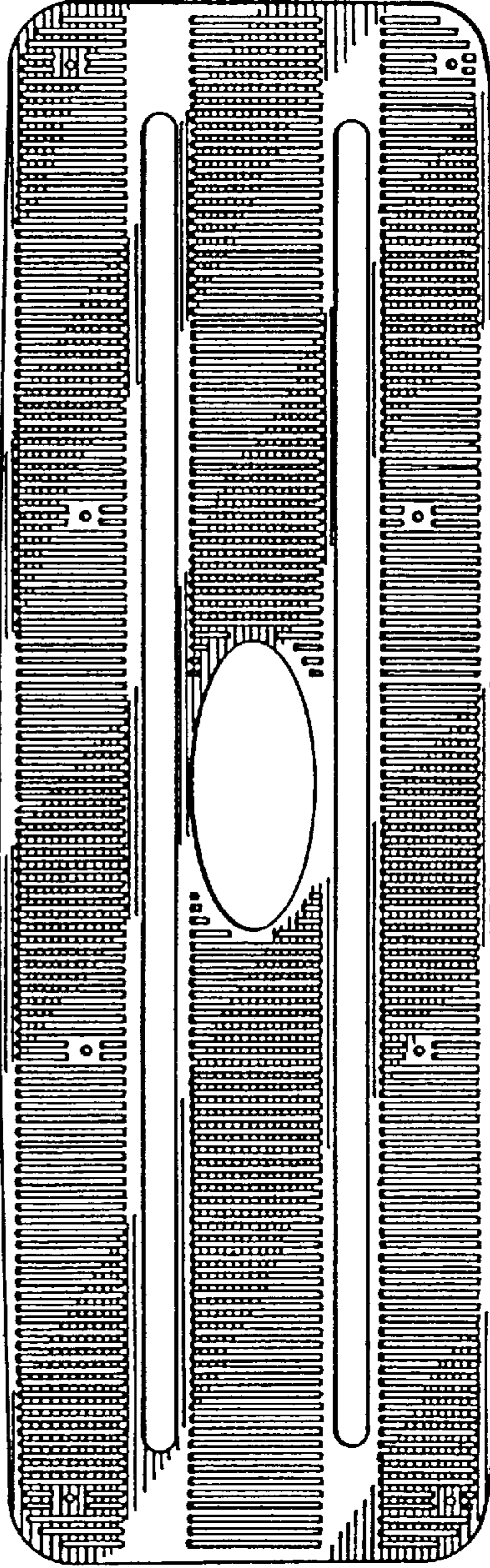
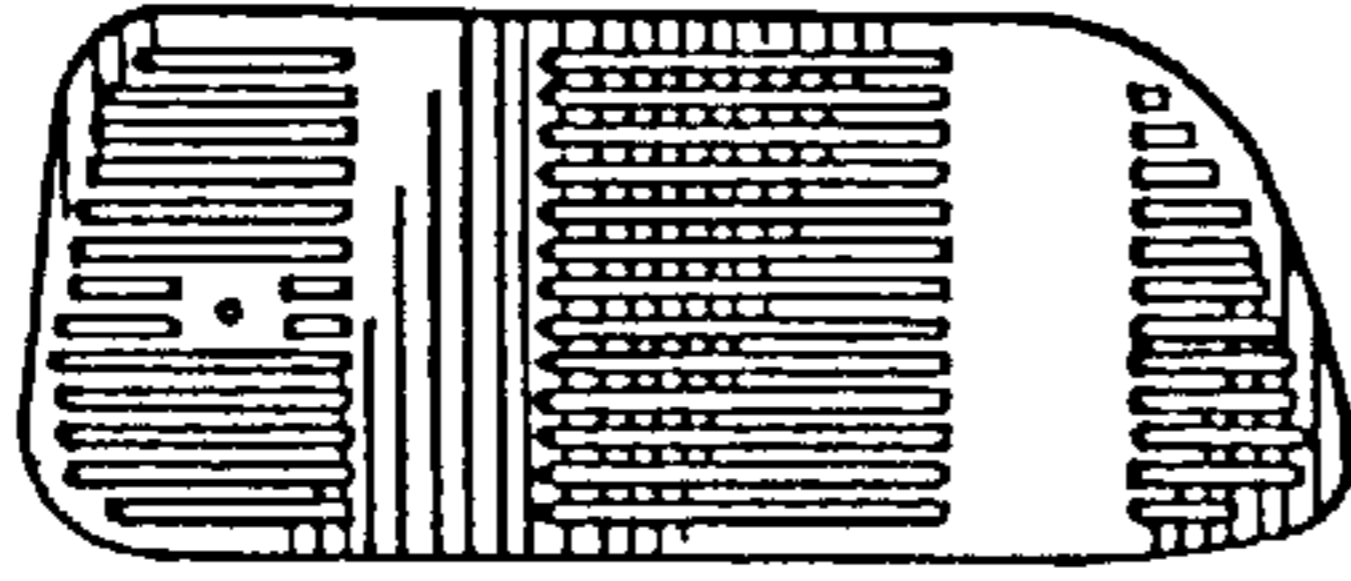


FIG. 2

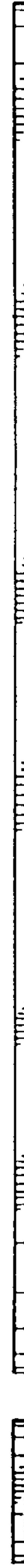
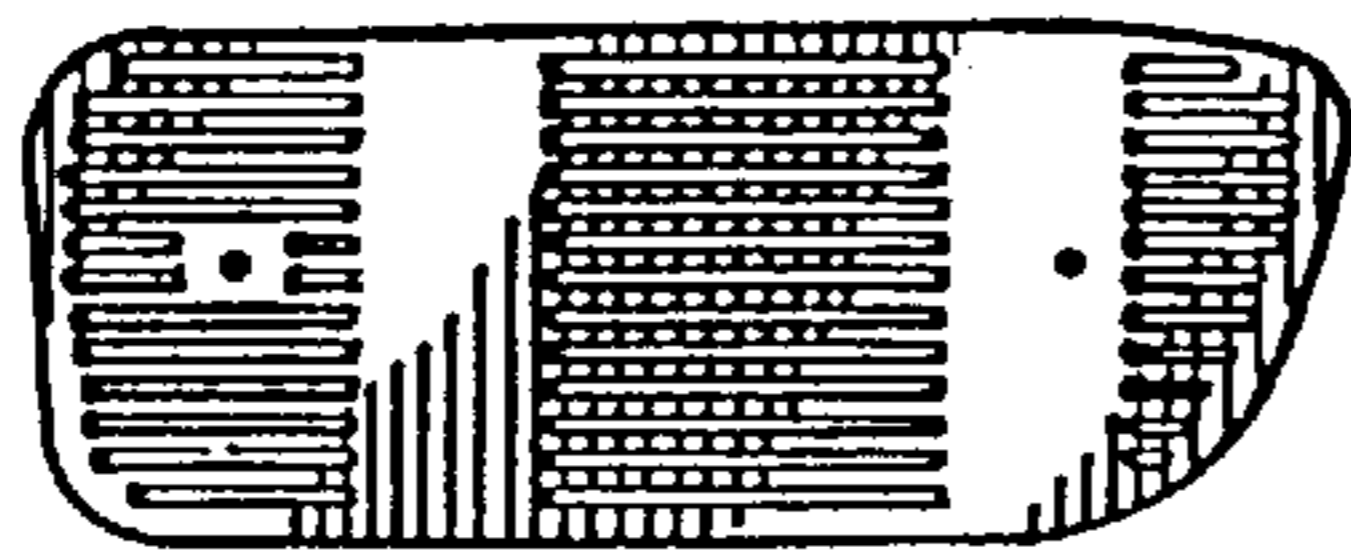


FIG. 4

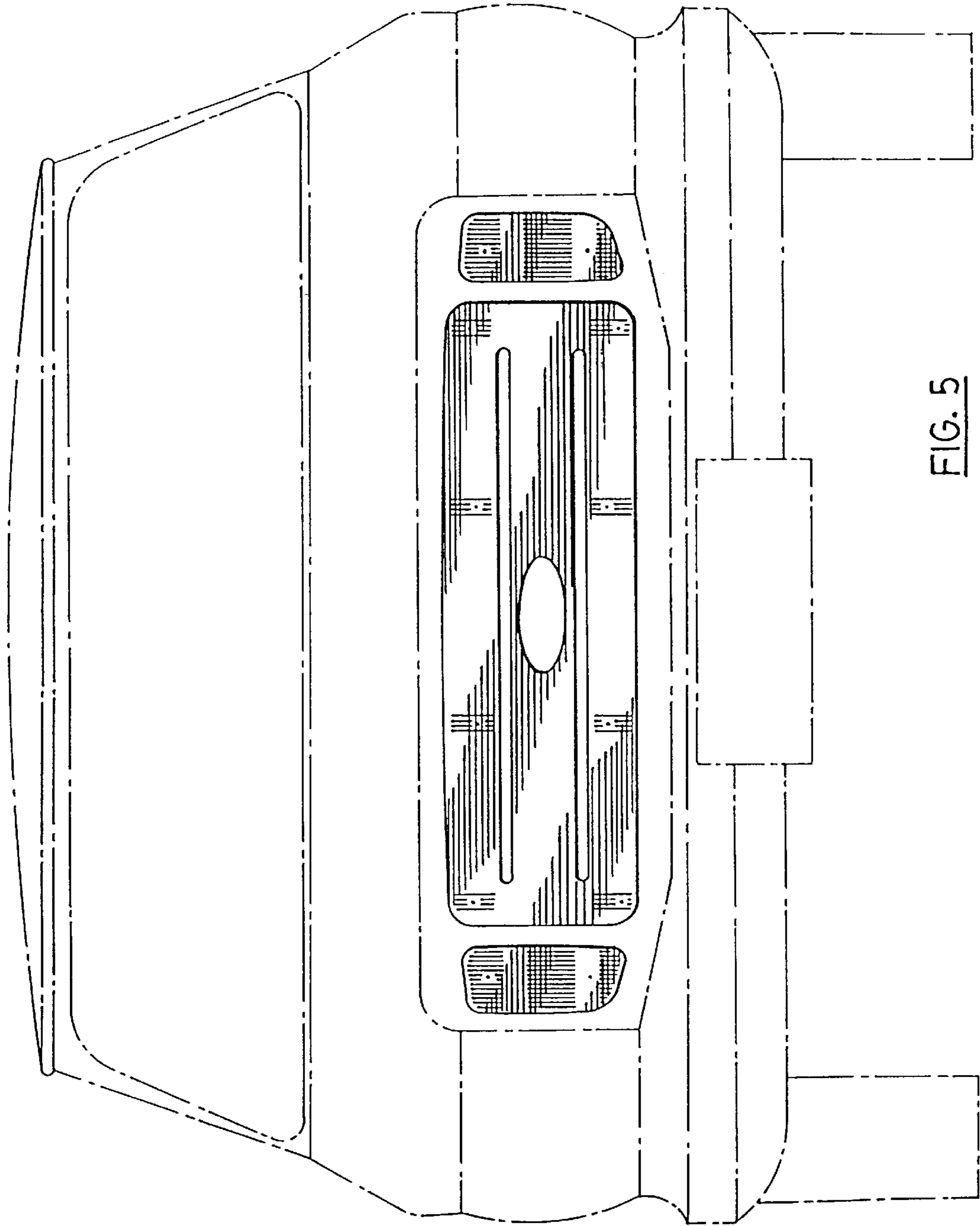


FIG. 5



FIG. 7

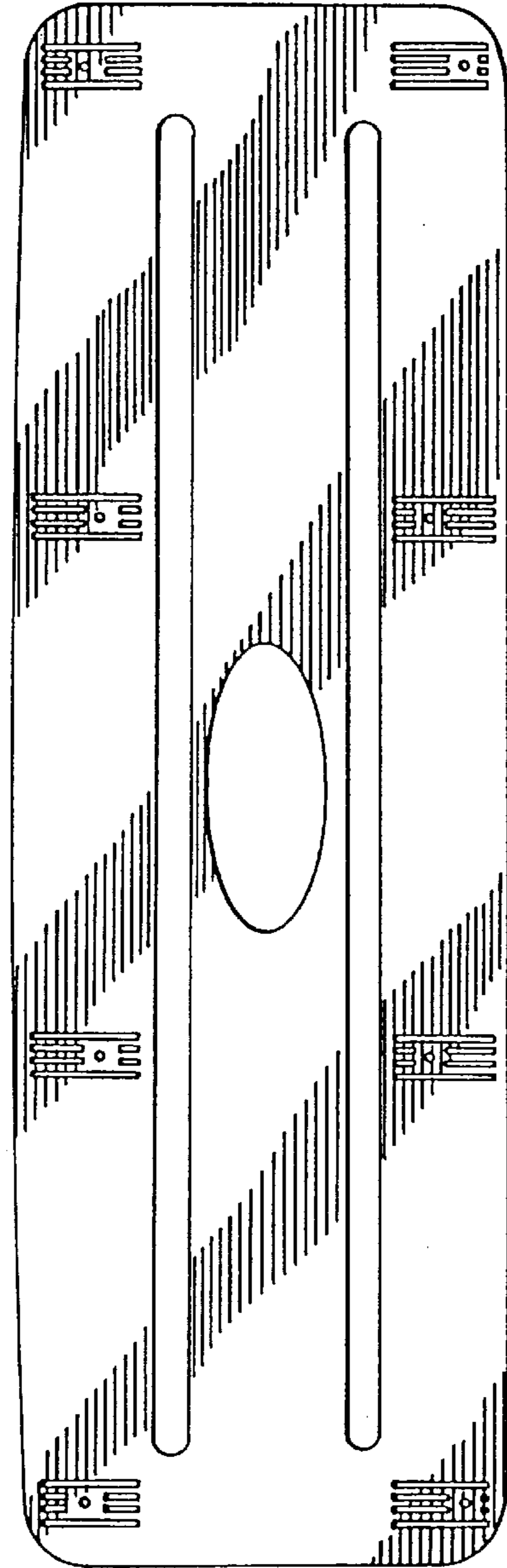
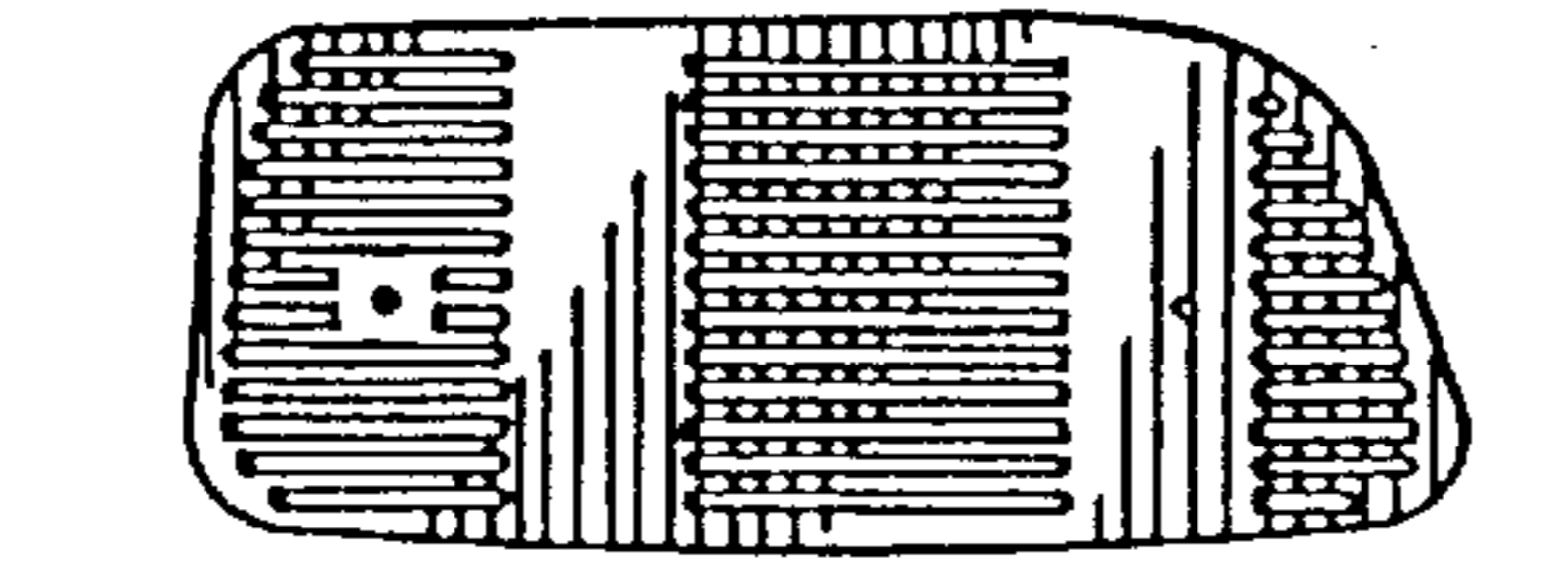


FIG. 6

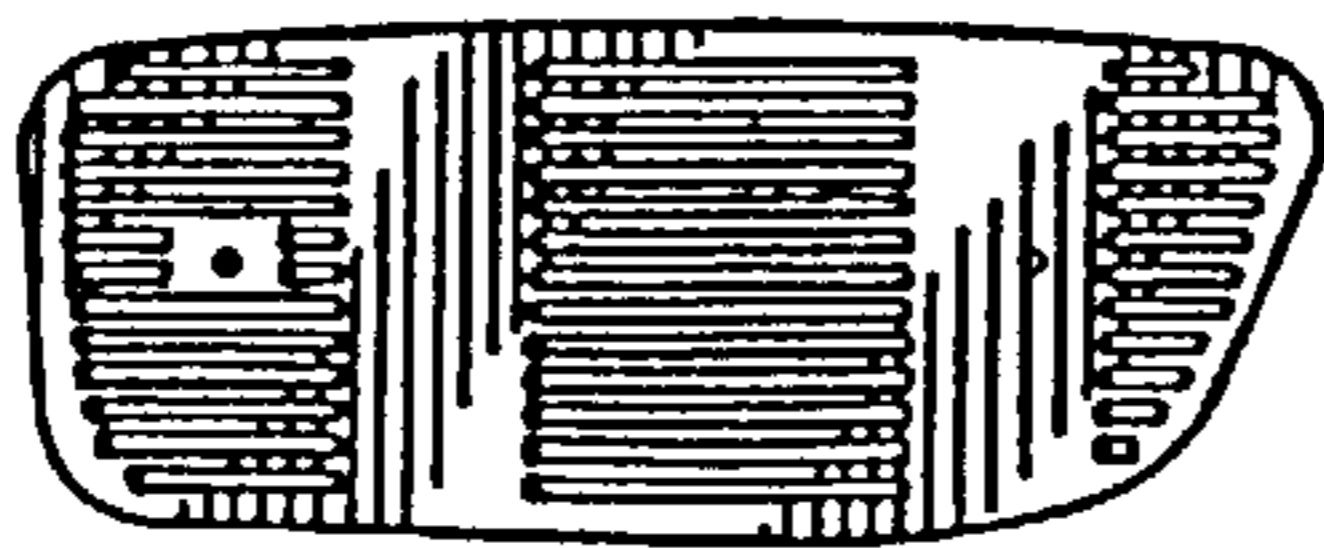


FIG. 8