



US00D431513S

# United States Patent [19]

Lovitt, Jr.

[11] Patent Number: **Des. 431,513**

[45] Date of Patent: **\*\* Oct. 3, 2000**

[54] **WHEEL ADAPTER**

[75] Inventor: **Estel L. Lovitt, Jr.**, Sylvania, Ohio

[73] Assignee: **Mitchell Equipment, Inc.**, Monclova, Ohio

[\*\*] Term: **14 Years**

[21] Appl. No.: **29/097,471**

[22] Filed: **Dec. 7, 1998**

[51] **LOC (7) Cl.** ..... **12-16**

[52] **U.S. Cl.** ..... **D12/207**

[58] **Field of Search** ..... D12/400, 204, D12/213; 301/111, 35.62, 36.1, 35.54, 35.58

### [56] **References Cited**

#### U.S. PATENT DOCUMENTS

3,494,669	2/1970	Reppert .....	301/111
3,820,851	6/1974	Longo et al. ....	301/36.1
3,834,766	9/1974	Thousand .....	301/111

4,036,530	7/1977	Reppert .....	301/36.1
4,135,765	1/1979	Hardwicke .....	301/36.1
4,165,904	8/1979	Reppert .....	301/111
4,396,232	8/1983	Fox .....	301/36.1
4,585,276	4/1986	Tirheimer .....	301/36.1
4,944,562	7/1990	Garrison .....	301/111
5,785,391	7/1998	Parry et al. .	

*Primary Examiner*—Stacia Cadmus  
*Attorney, Agent, or Firm*—Donald R. Fraser

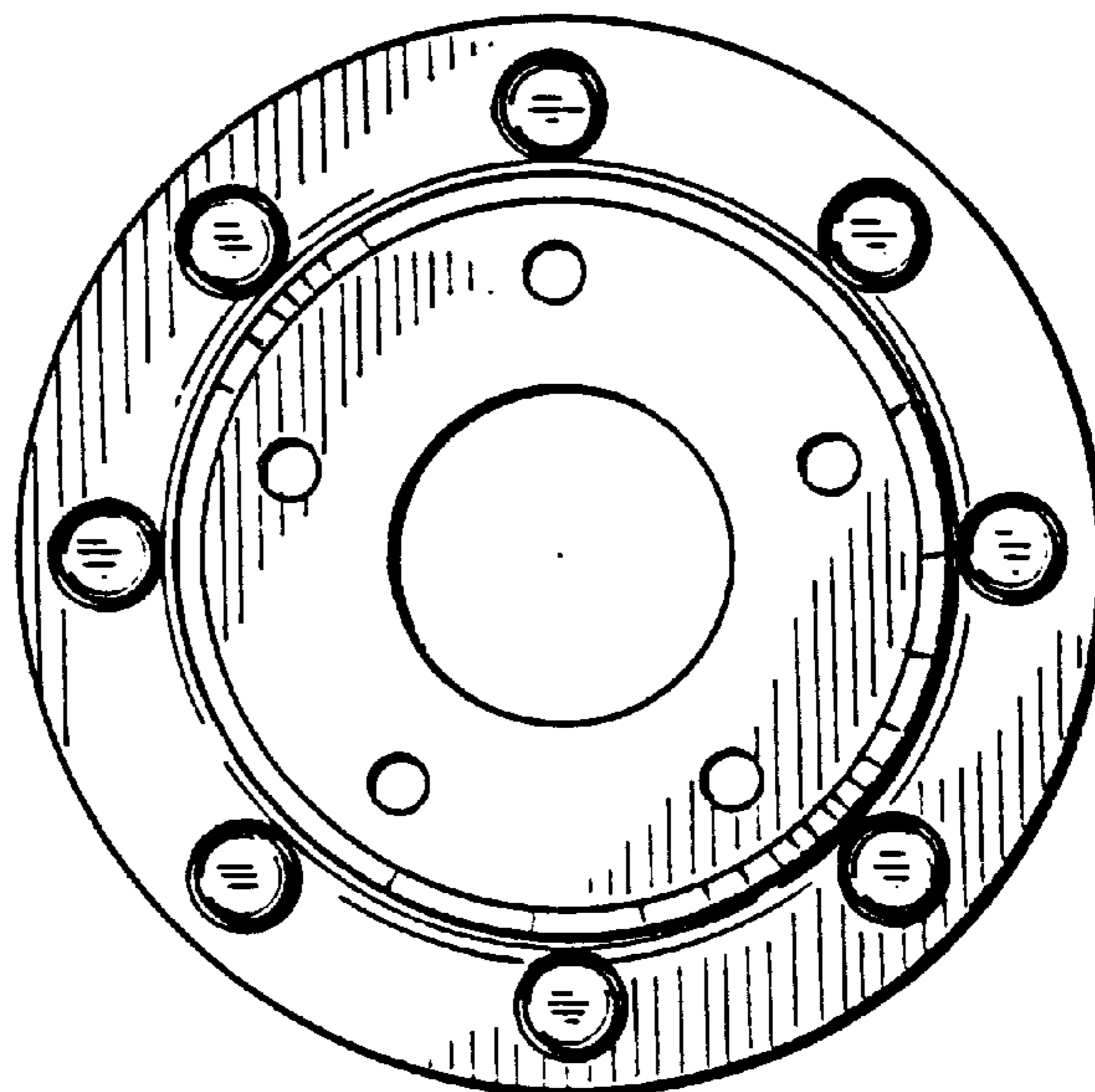
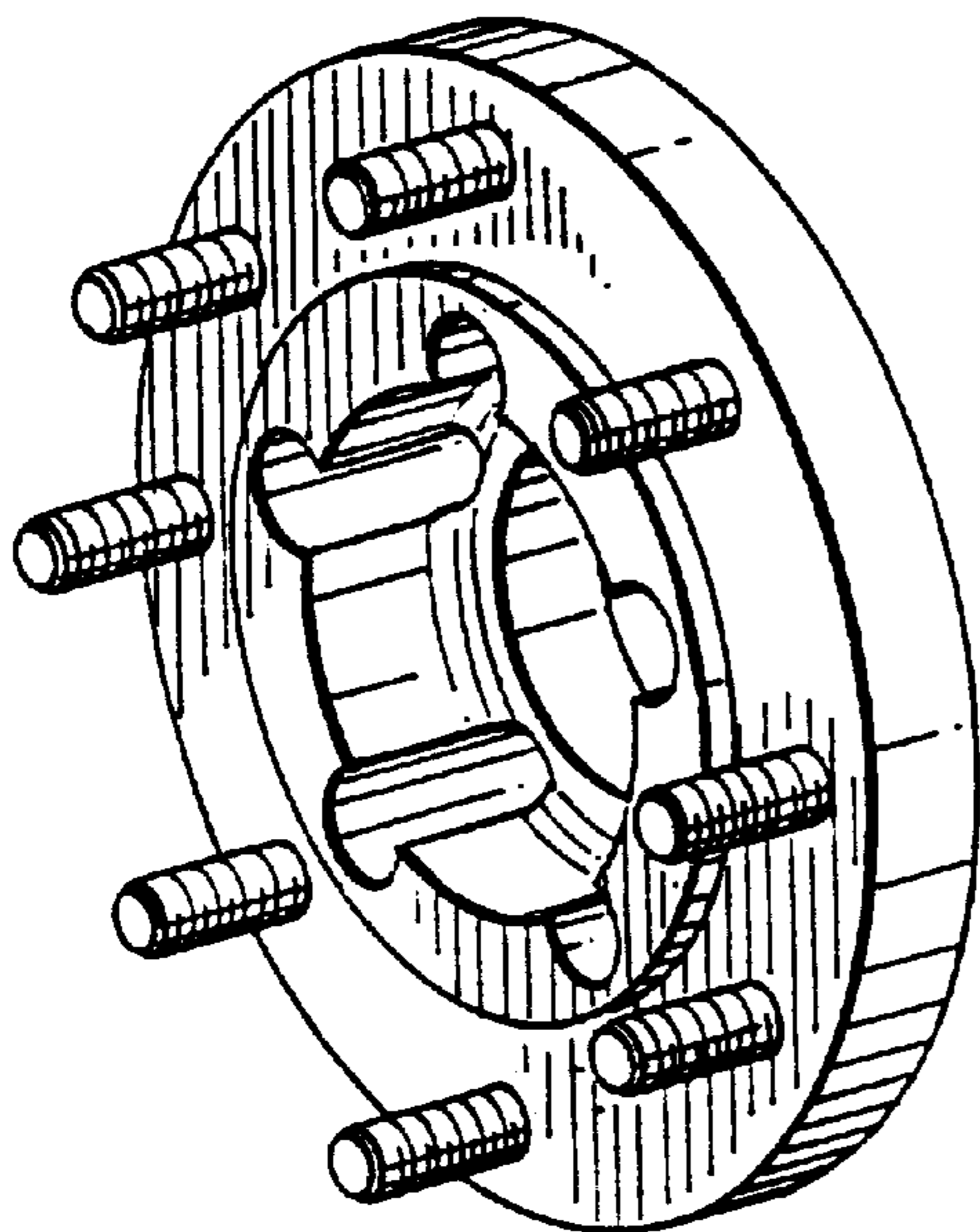
### [57] **CLAIM**

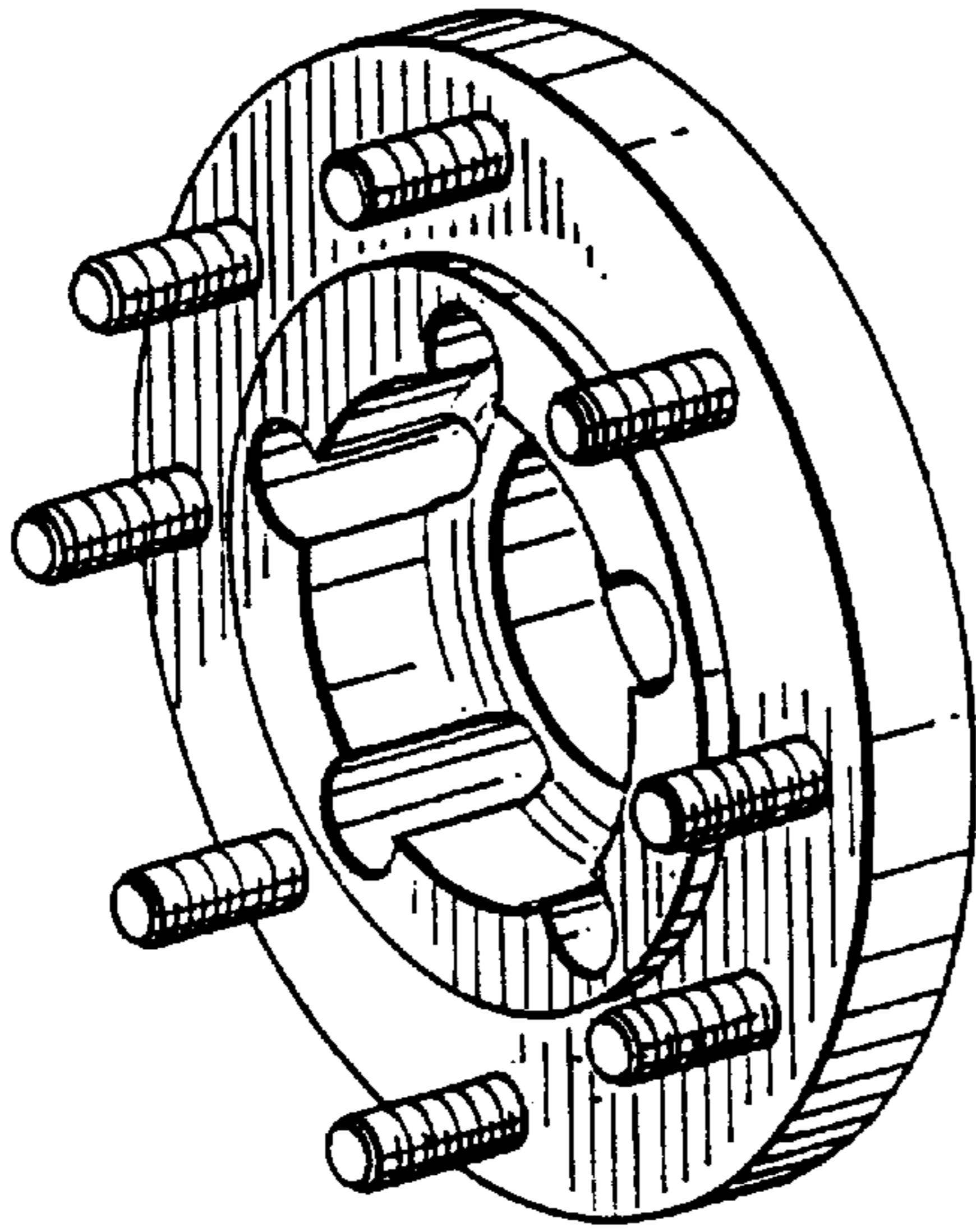
The ornamental design for a wheel adapter, as shown and described.

### **DESCRIPTION**

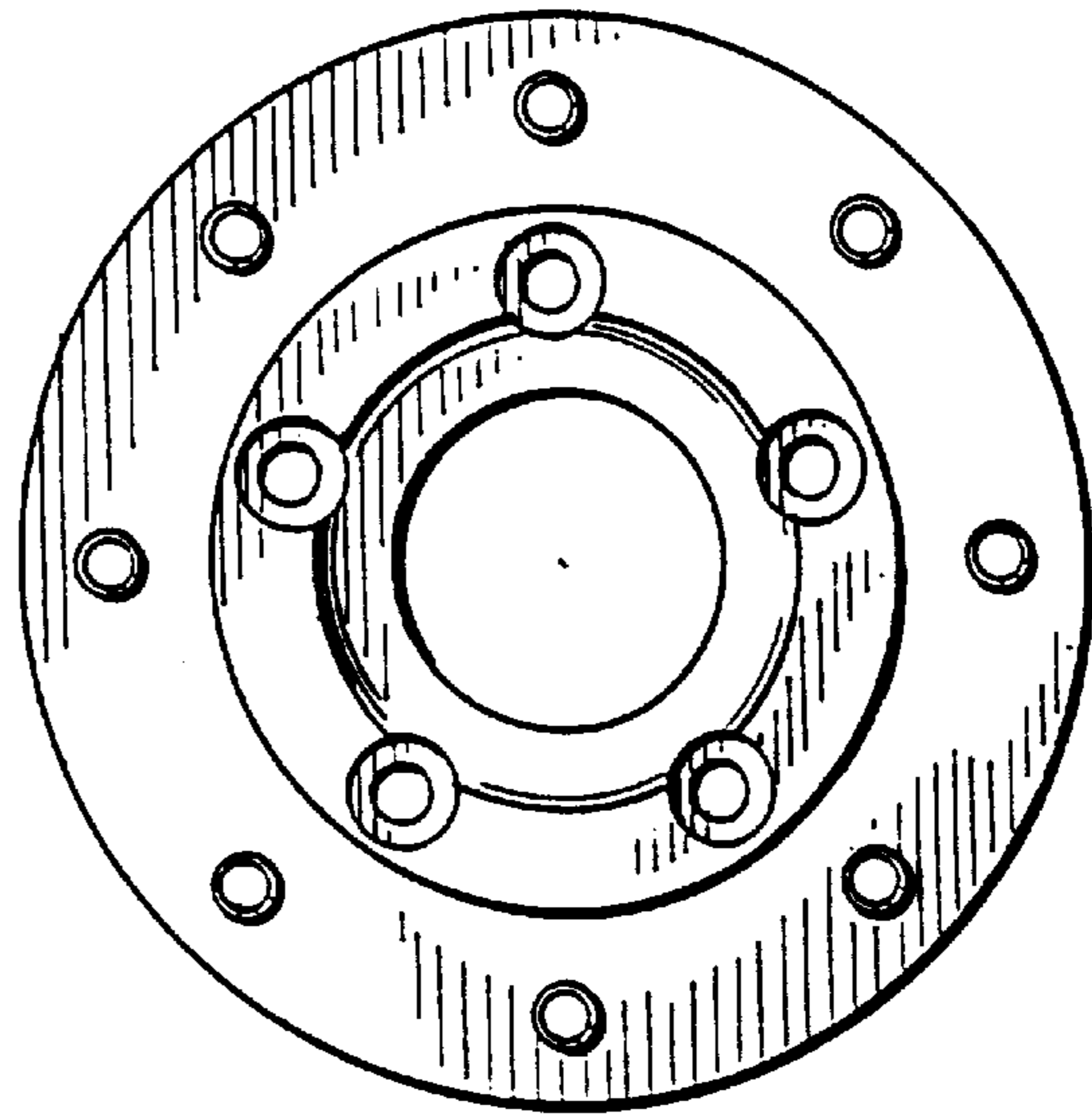
FIG. 1 is a left hand perspective view of a wheel adapter incorporating the invention; FIG. 2 is a rear elevational view thereof; FIG. 3 is a front elevational view thereof; and, FIG. 4 is a left side elevational view thereof.

**1 Claim, 1 Drawing Sheet**

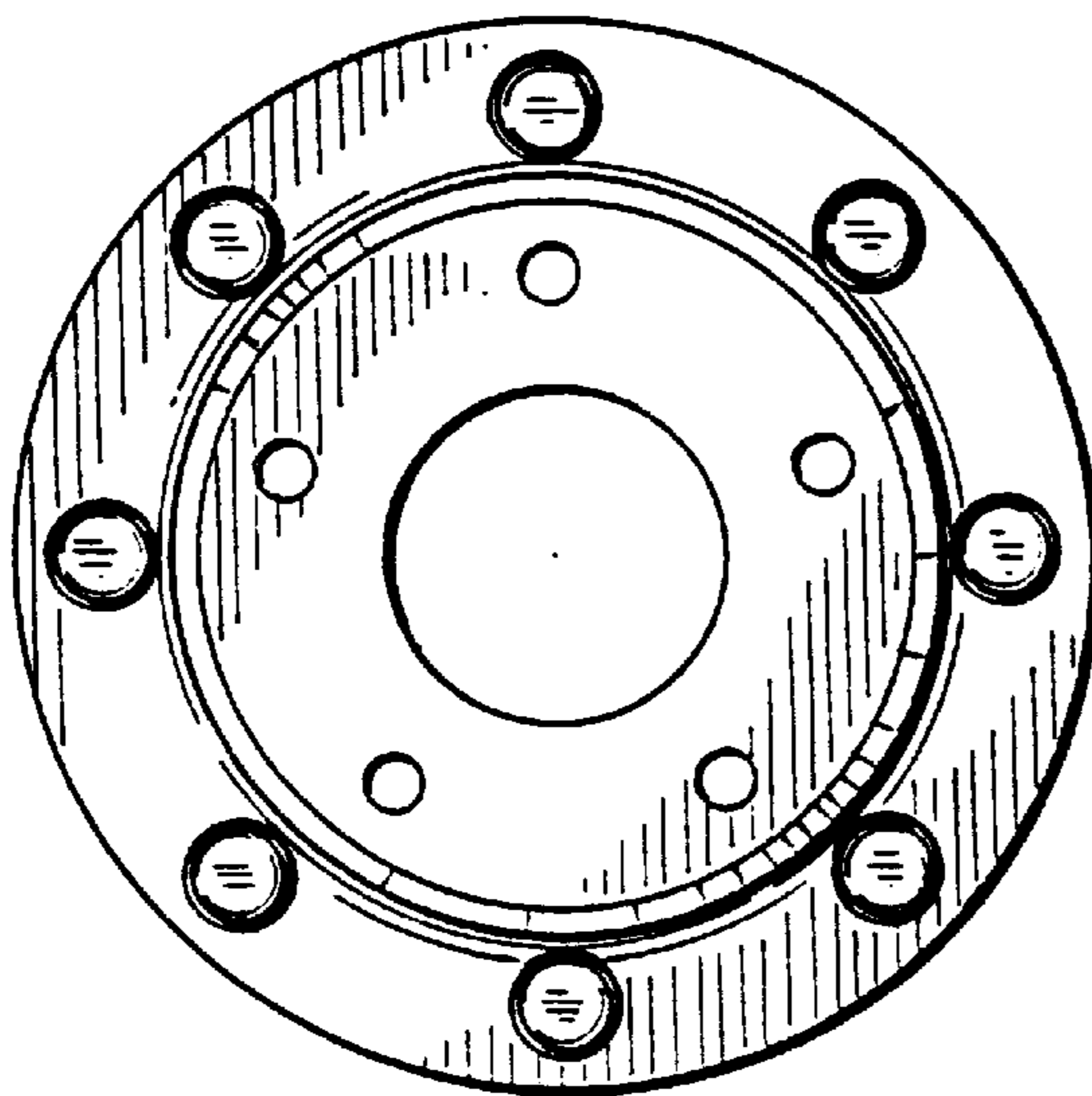




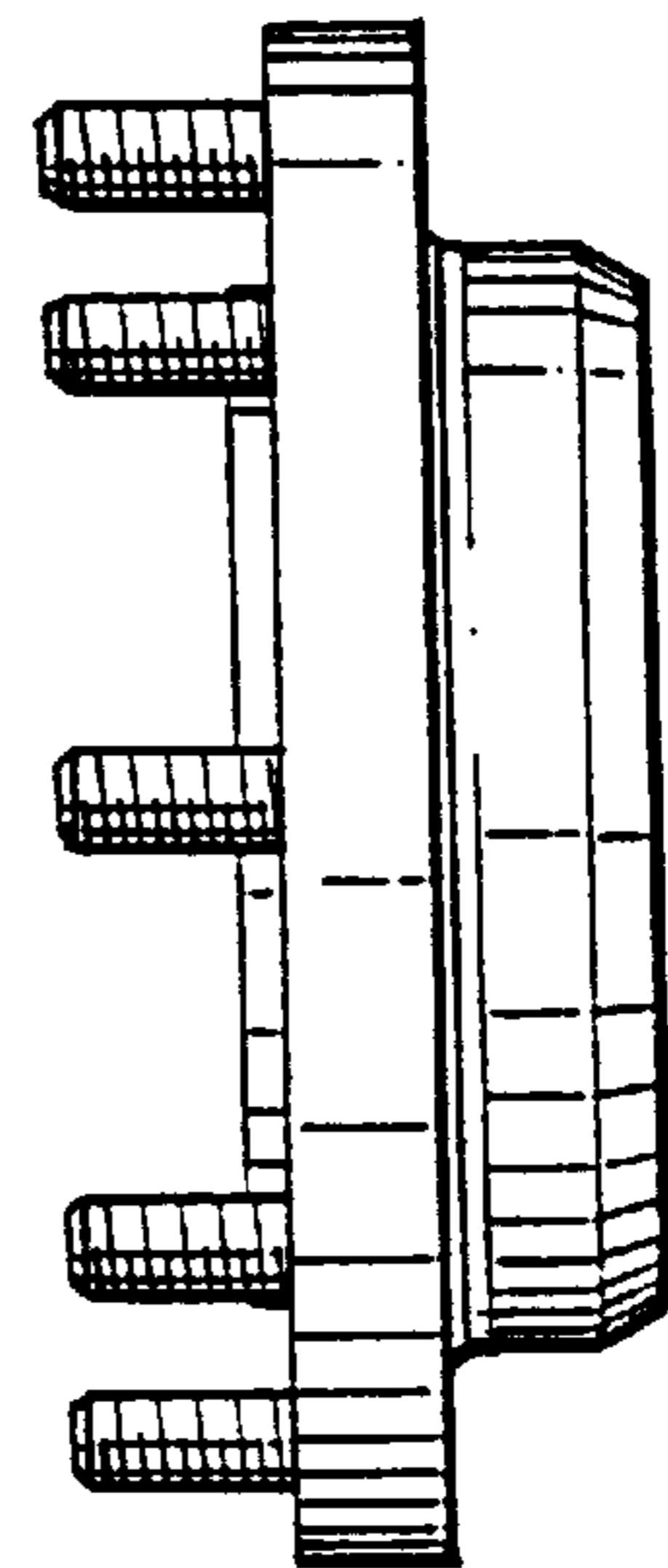
**FIG. 1**



**FIG. 2**



**FIG. 3**



**FIG. 4**