



US00D431511S

# United States Patent [19]

[11] Patent Number: **Des. 431,511**

**Damon et al.**

[45] Date of Patent: **\*\* Oct. 3, 2000**

[54] **EXTENDER PANEL FOR A TRUCK ROOF FAIRING**

[75] Inventors: **Kenneth H. Damon**, Fort Worth;  
**Aaron M. Elliott**, Denton; **Louis D. Heilaneh**, Lewisville, all of Tex.

[73] Assignee: **Paccar Inc**, Bellevue, Wash.

[\*\*] Term: **14 Years**

[21] Appl. No.: **29/108,376**

[22] Filed: **Jul. 26, 1999**

[51] **LOC (7) Cl.** ..... **12-16**

[52] **U.S. Cl.** ..... **D12/196**

[58] **Field of Search** ..... D12/196, 93, 96,  
D12/97; 296/190; 180/89.1, 89.11, 89.12

[56] **References Cited**

**U.S. PATENT DOCUMENTS**

D. 291,872	9/1987	Simons et al. ....	D12/96
D. 291,982	9/1987	Simons et al. ....	D12/96
D. 296,775	7/1988	Hatch et al. ....	D12/181
D. 305,746	1/1990	Allendorph ....	D12/96
D. 307,731	5/1990	Kerney et al. ....	D12/96
D. 308,032	5/1990	Kerney et al. ....	D12/96
D. 311,712	10/1990	Marlowe et al. ....	D12/96
D. 326,836	6/1992	Artman ....	D12/181
D. 332,769	1/1993	West ....	D12/181
D. 335,855	5/1993	Callaway et al. ....	D12/181
D. 340,025	10/1993	Brownlie et al. ....	D12/181
D. 374,418	10/1996	Griffin ....	D12/181
D. 384,914	10/1997	Bingaman ....	D12/97
D. 399,791	10/1998	Hellhake et al. ....	D12/96
D. 399,792	10/1998	Hellhake et al. ....	D12/96

D. 406,552	3/1999	Hellhake et al. ....	D12/93
D. 411,140	6/1999	Meryman et al. ....	D12/96
4,518,188	5/1985	Witten ....	296/180.2
4,750,772	6/1988	Haegert ....	296/180.2
4,775,179	10/1988	Riggs ....	296/180.2
4,883,307	11/1989	Hacker et al. ....	296/180.2
4,957,322	9/1990	Marlowe et al. ....	296/180.2
5,190,342	3/1993	Marlowe et al. ....	296/180.2
5,595,419	1/1997	Spears ....	296/180.2
5,658,038	8/1997	Griffin ....	296/180.2

*Primary Examiner*—Melody N. Brown  
*Attorney, Agent, or Firm*—Sidley & Austin

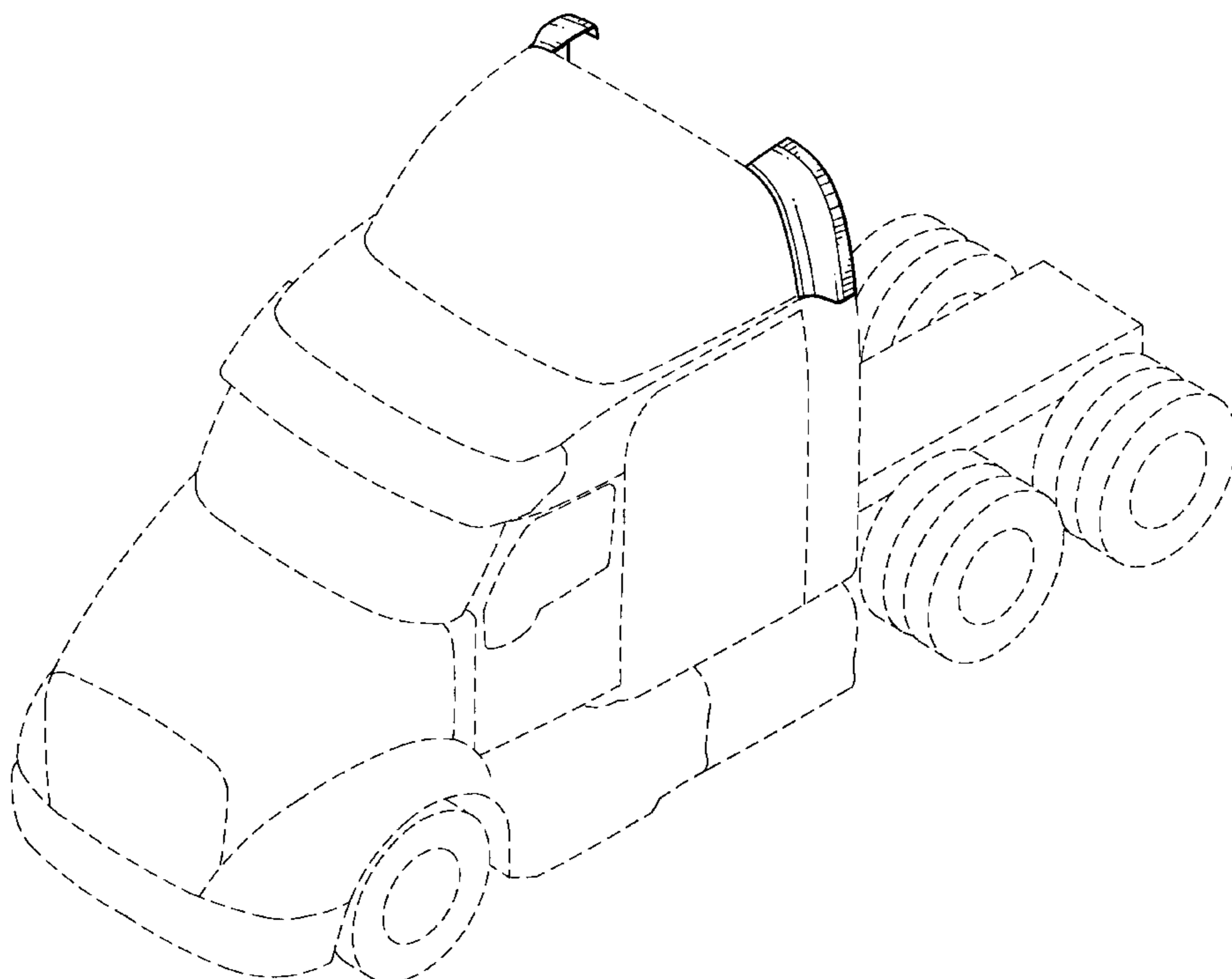
[57] **CLAIM**

The ornamental design for an extender panel for a truck roof fairing, as shown and described.

**DESCRIPTION**

FIG. 1 is a perspective view of an extender panel for a truck roof fairing showing a left side panel of our new design; FIG. 2 is a front view thereof; FIG. 3 is a rear view thereof; FIG. 4 is a left side view thereof; FIG. 5 is a right side view thereof; FIG. 6 is a top view thereof; FIG. 7 is a bottom view thereof; and, FIG. 8 is a reduced perspective view showing a left and right side panel of our design. The right side panel shown in FIG. 1 is a mirror image of the left side panel completely shown in FIG. 1. The broken line showing of a truck, in FIG. 8, depicts environment and is not part of the claimed design. The right side panel shown in FIG. 8 is a mirror image of the left side panel completely shown in FIGS. 1-7.

**1 Claim, 3 Drawing Sheets**



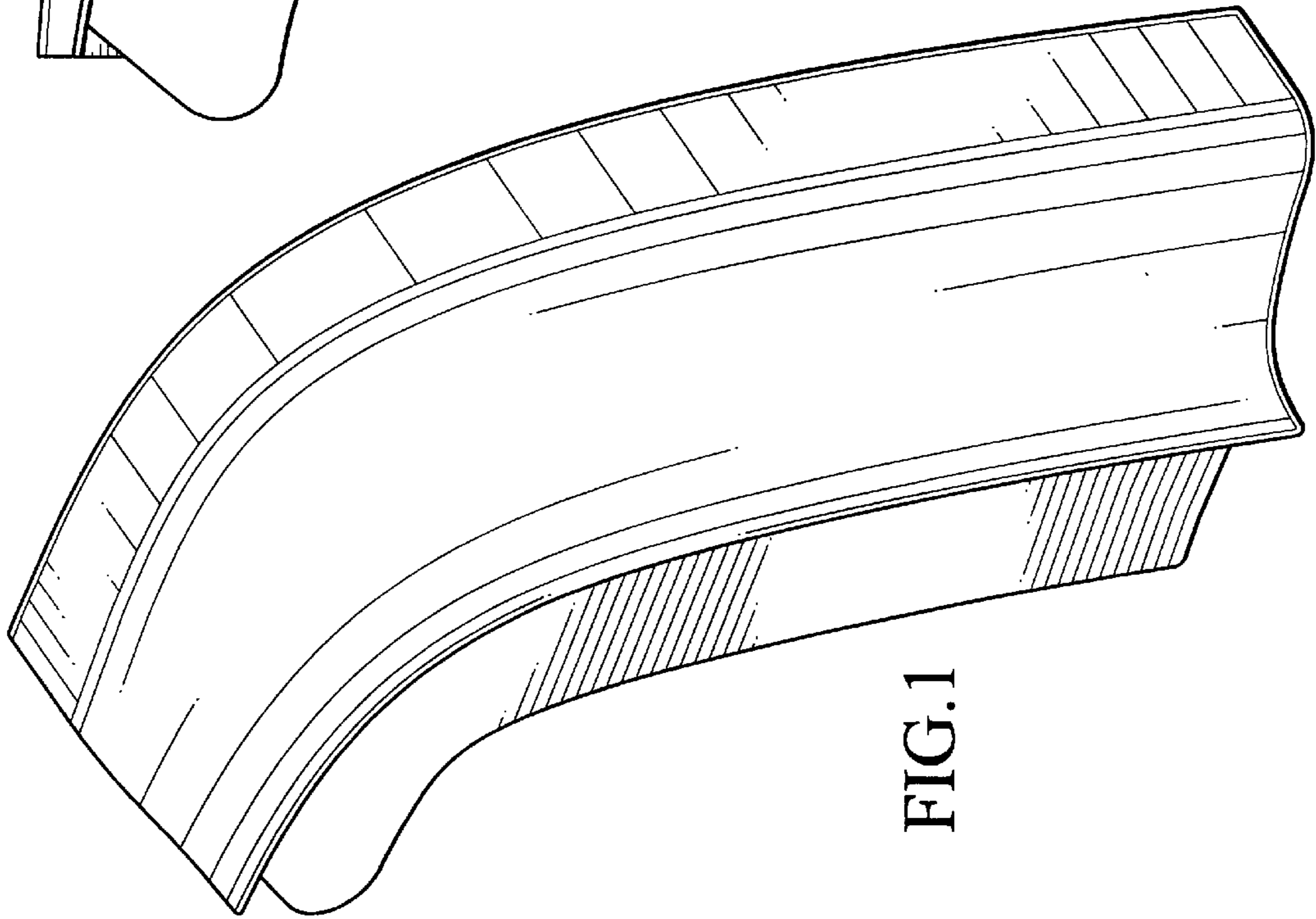


FIG.1

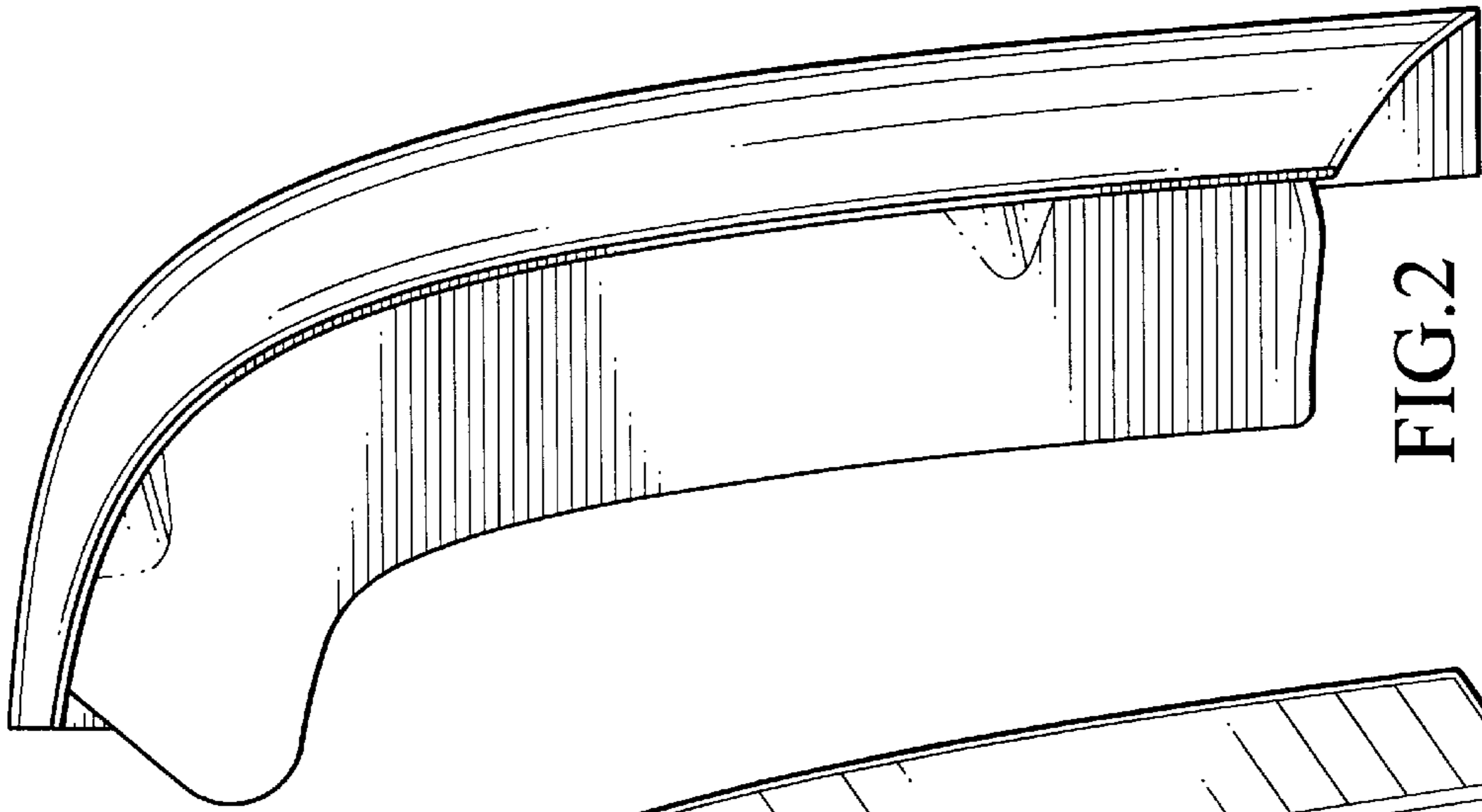


FIG.2

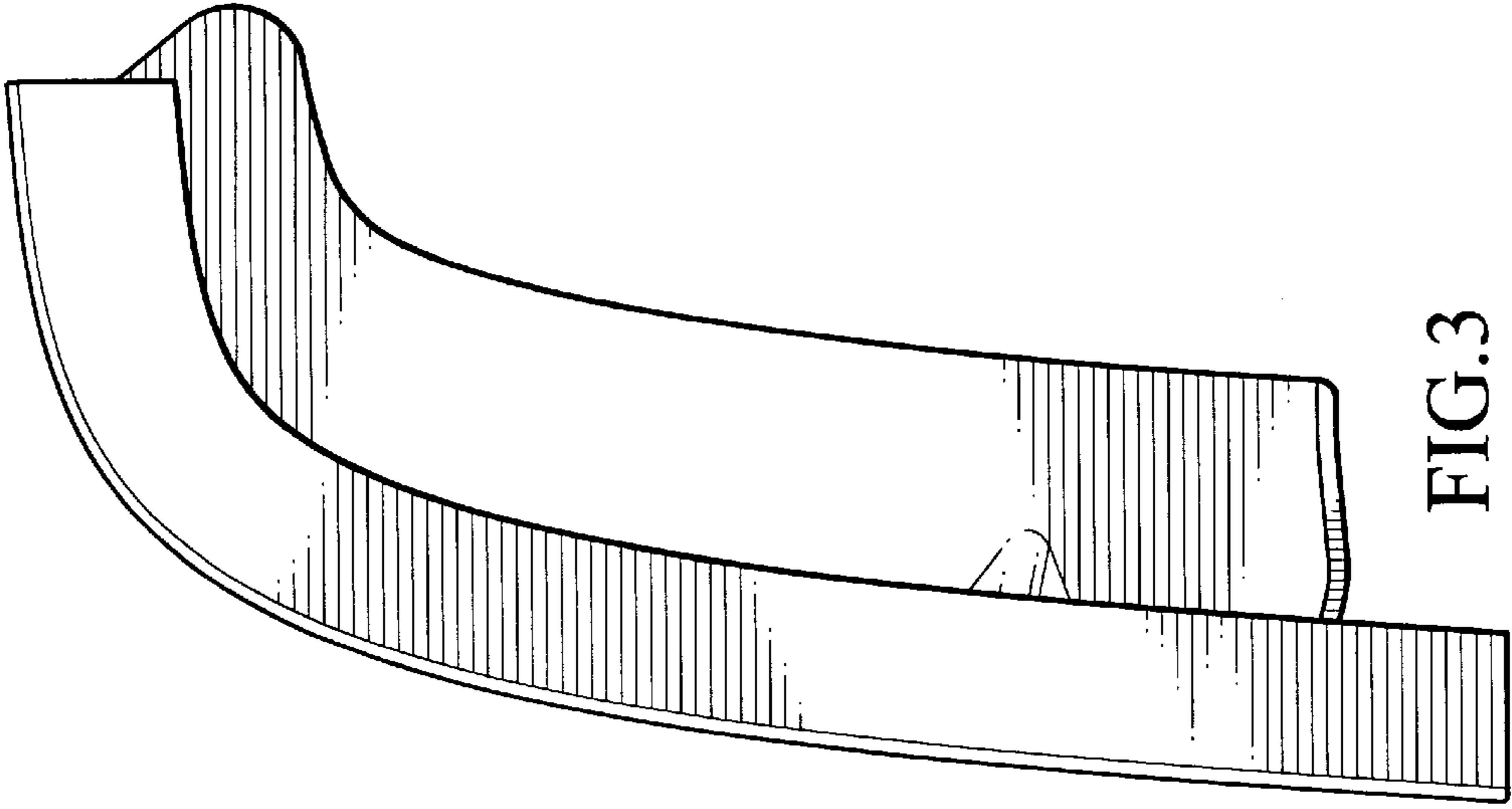


FIG.3

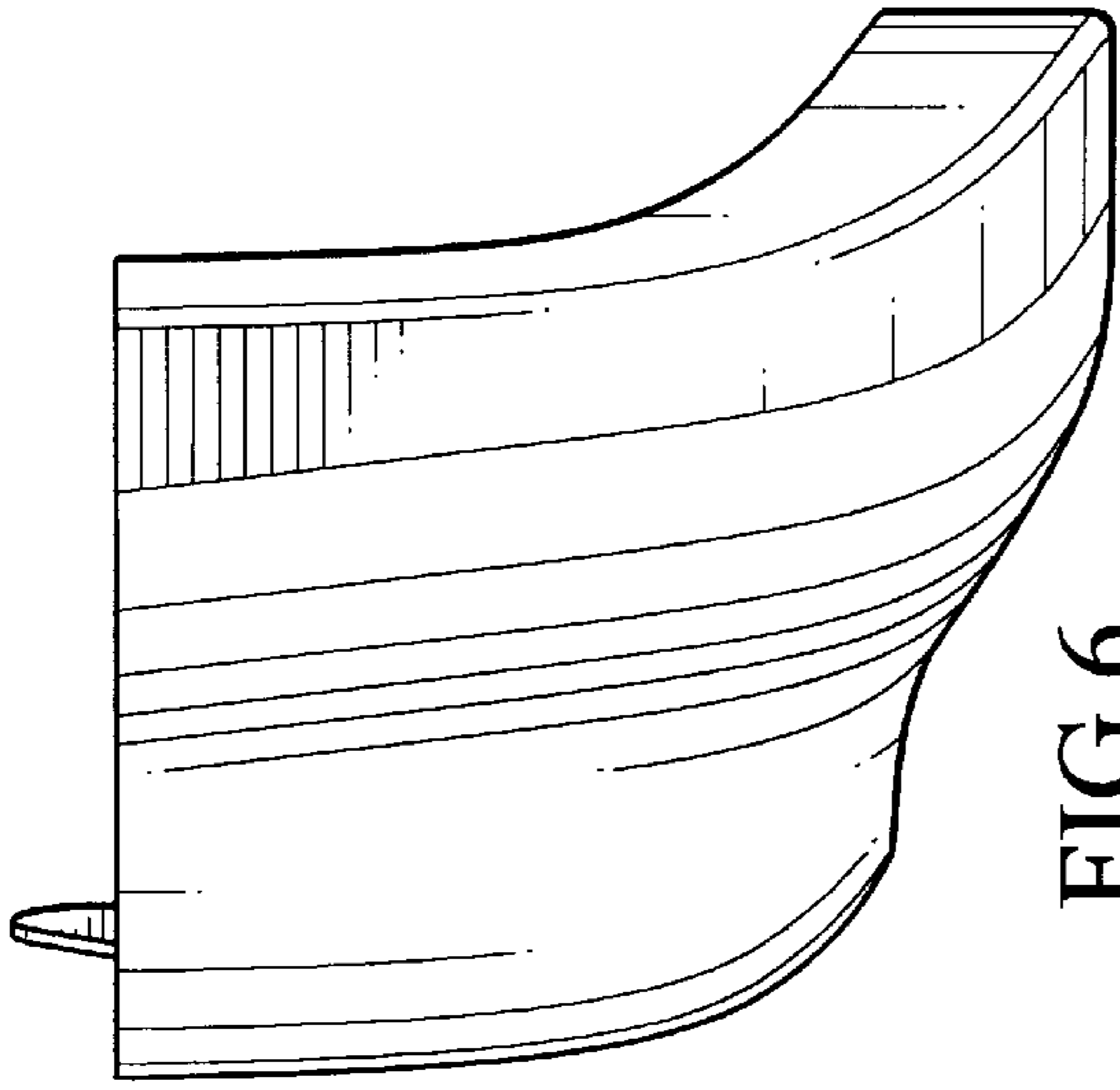


FIG. 6

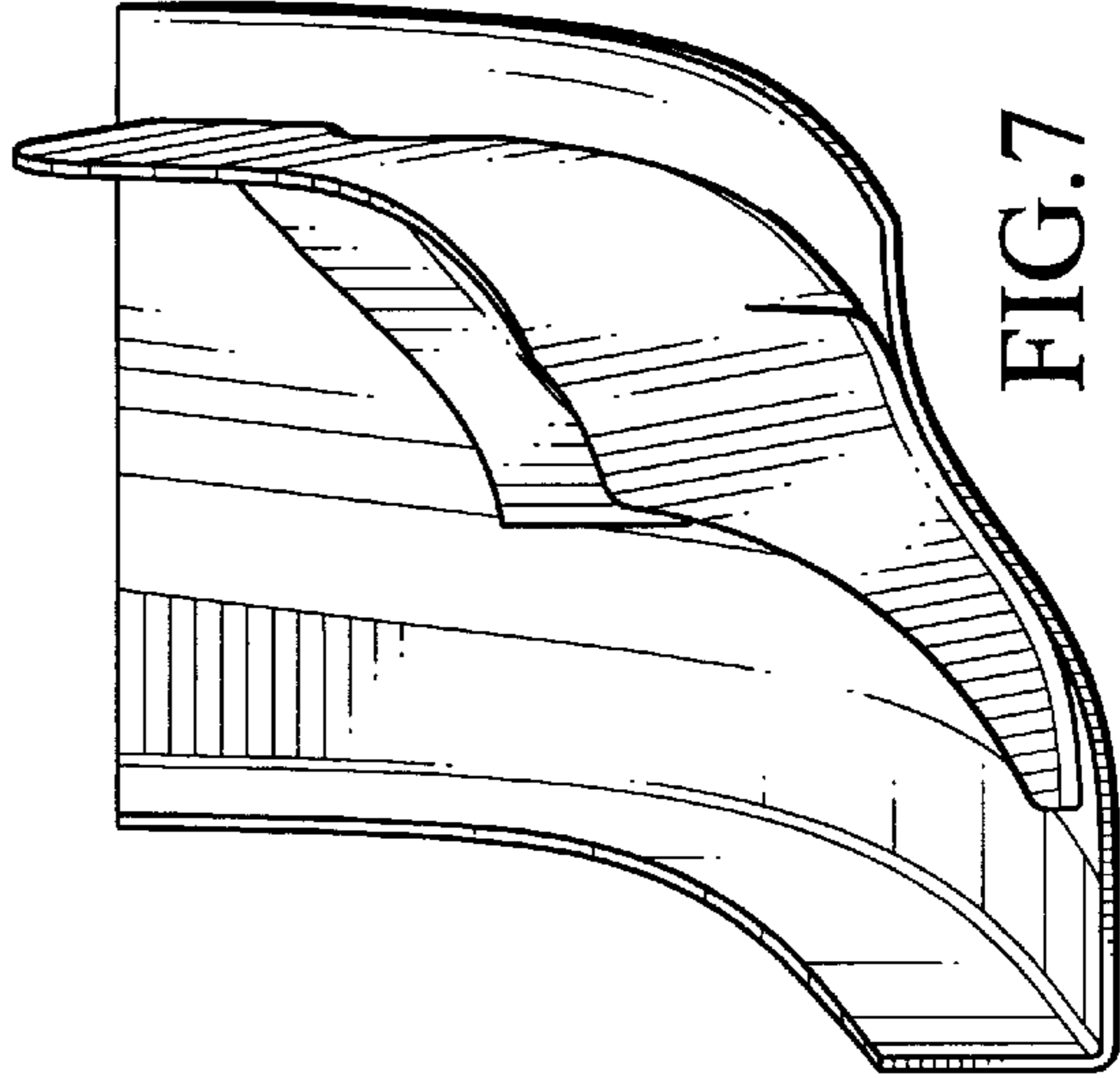


FIG. 7

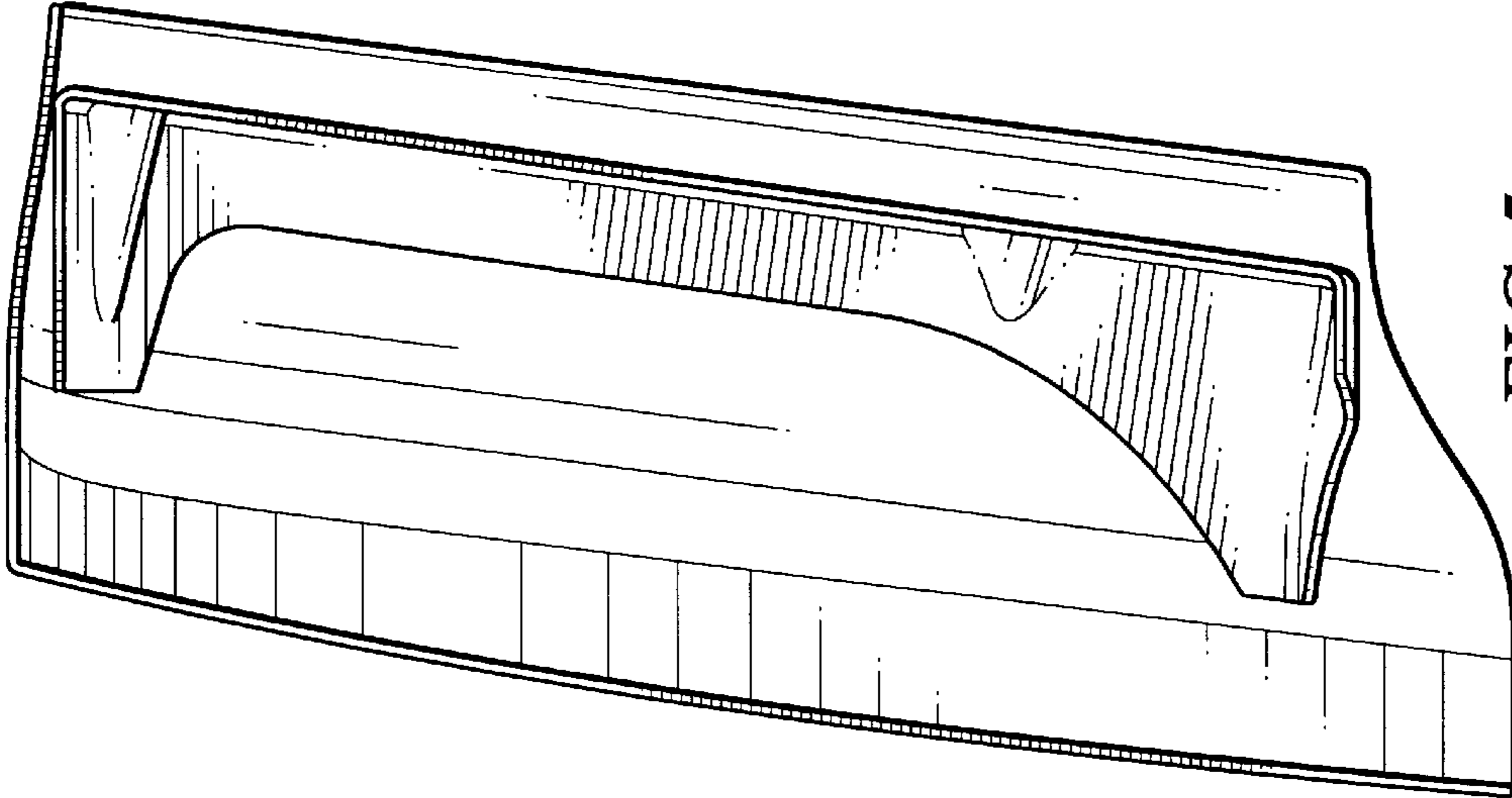


FIG. 5

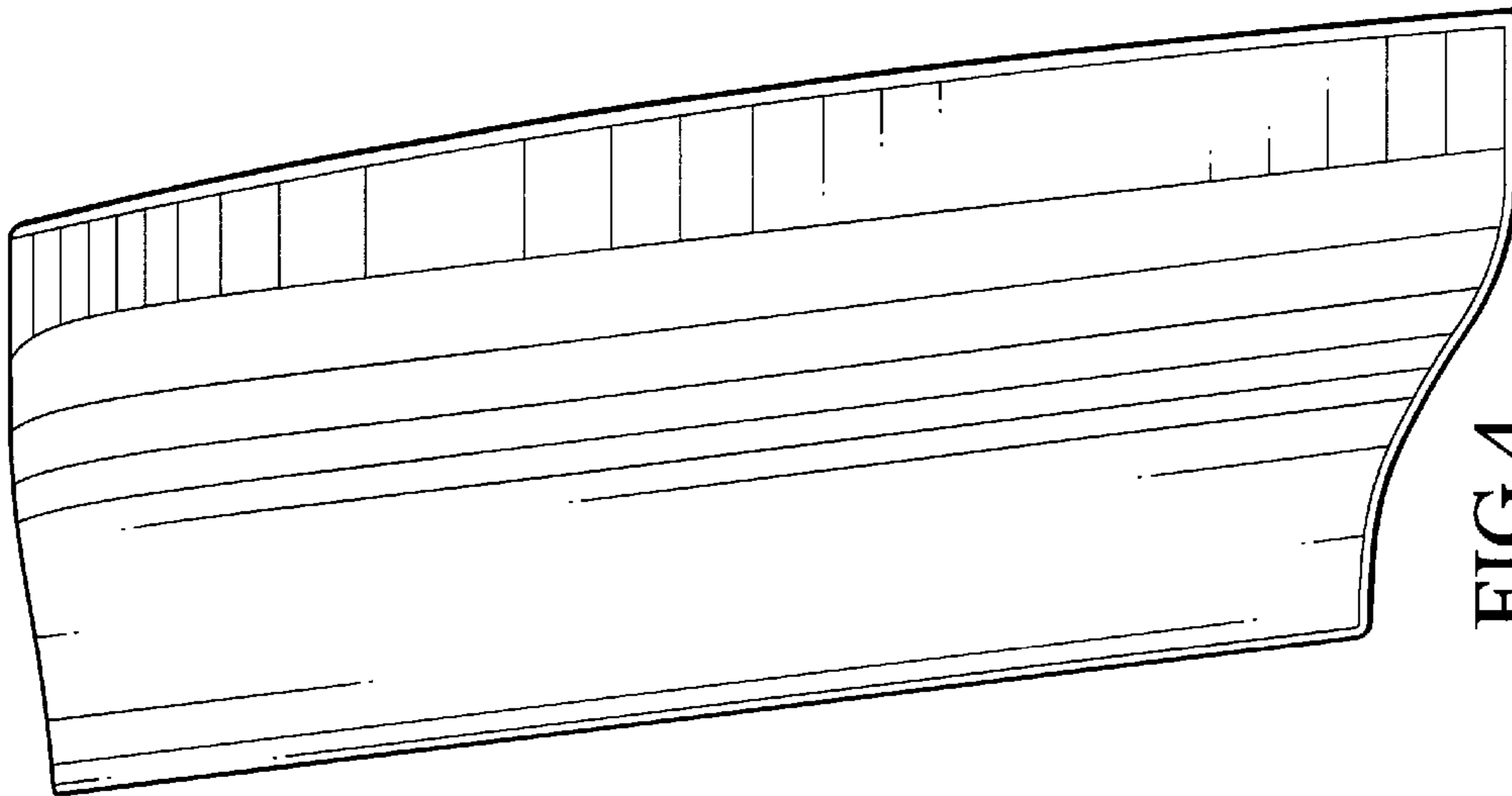


FIG. 4

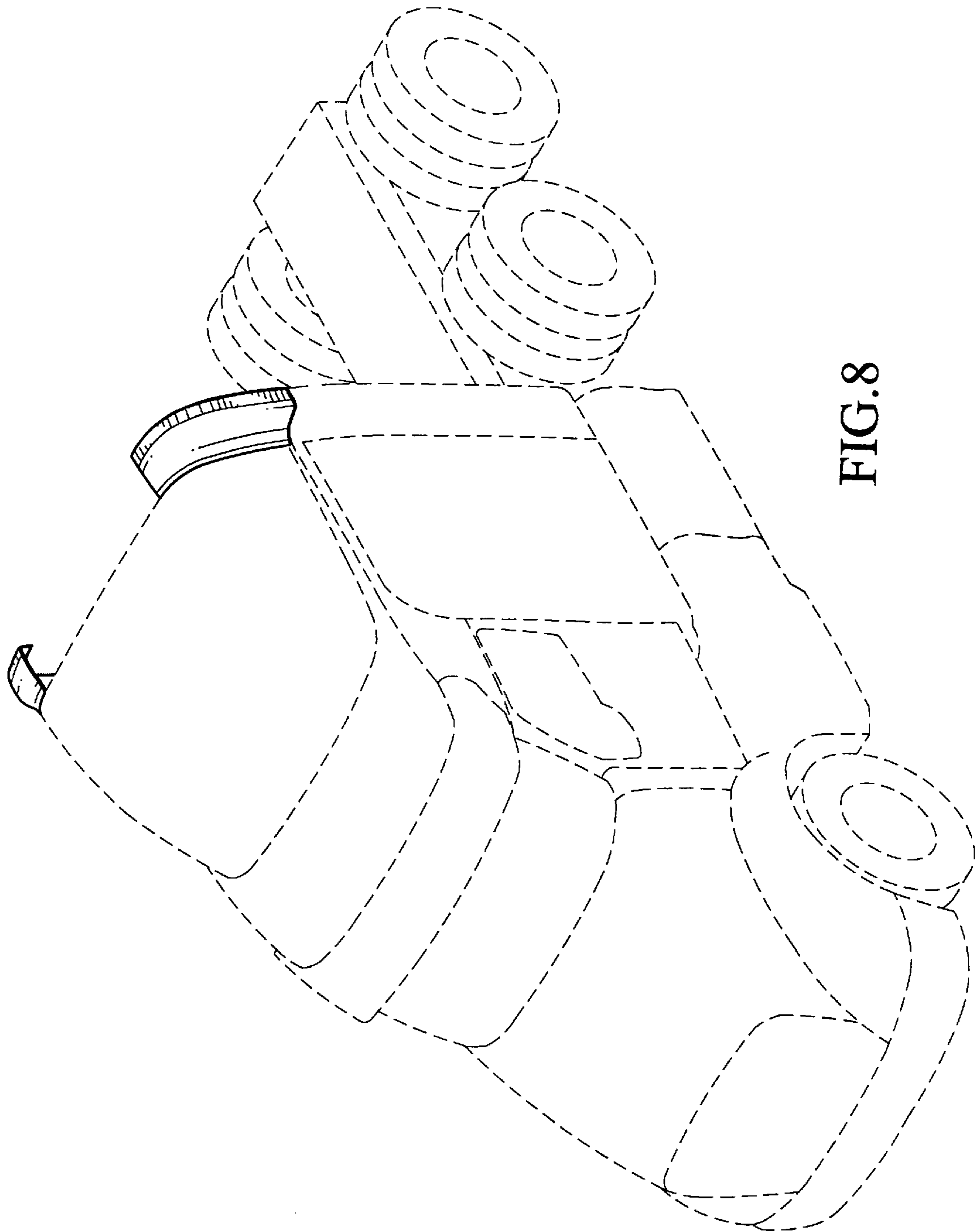


FIG. 8