



US00D431506S

United States Patent [19]
Runfola

[11] **Patent Number: Des. 431,506**

[45] **Date of Patent: ** Oct. 3, 2000**

[54] **MODULAR VEHICLE BUMPER**

D. 415,458 10/1999 Schindler D12/169

[76] Inventor: **Vincent A. Runfola**, 544 Spring
Hollow Blvd., Apopka, Fla. 32712

Primary Examiner—Melody N. Brown
Attorney, Agent, or Firm—Taylor & Aust, P.C.

[**] Term: **14 Years**

[57] **CLAIM**

[21] Appl. No.: **29/115,431**

The ornamental design for a modular vehicle bumper, as shown and described.

[22] Filed: **Dec. 14, 1999**

DESCRIPTION

[51] **LOC (7) Cl.** **12-16**

FIG. 1 is a perspective view of a modular vehicle bumper showing my new design;

[52] **U.S. Cl.** **D12/169**

FIG. 2 is a front view thereof;

[58] **Field of Search** D12/169; 293/102,
293/105, 121, 113

FIG. 3 is a top view thereof, the bottom view being substantially identical;

[56] **References Cited**

FIG. 4 is a rear view thereof;

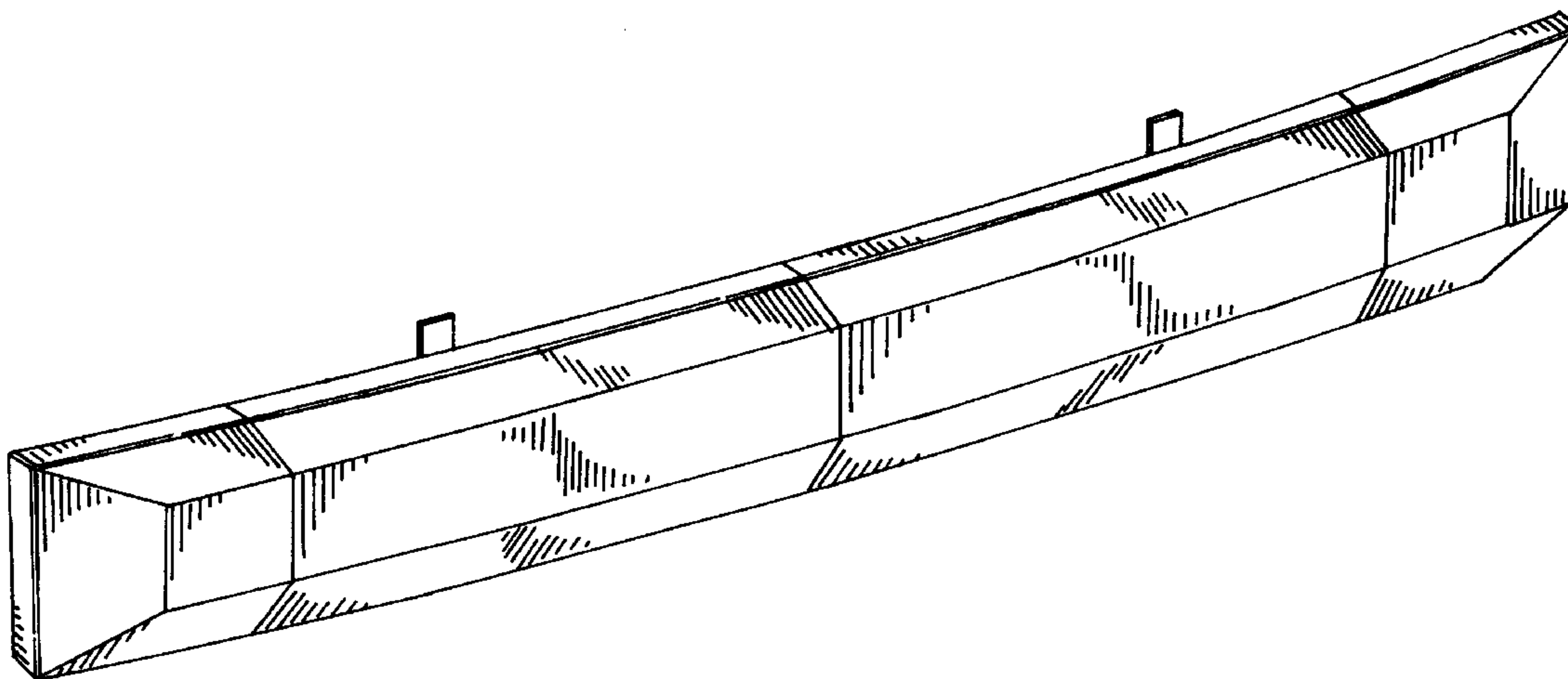
U.S. PATENT DOCUMENTS

FIG. 5 is an end view thereof, the opposing end view being substantially identical; and,

- D. 328,272 7/1992 Hasmanis et al. D12/169
- D. 350,516 9/1994 Hanson D12/169
- D. 360,865 8/1995 Hanson D12/169

FIG. 6 is sectional view thereof.

1 Claim, 3 Drawing Sheets



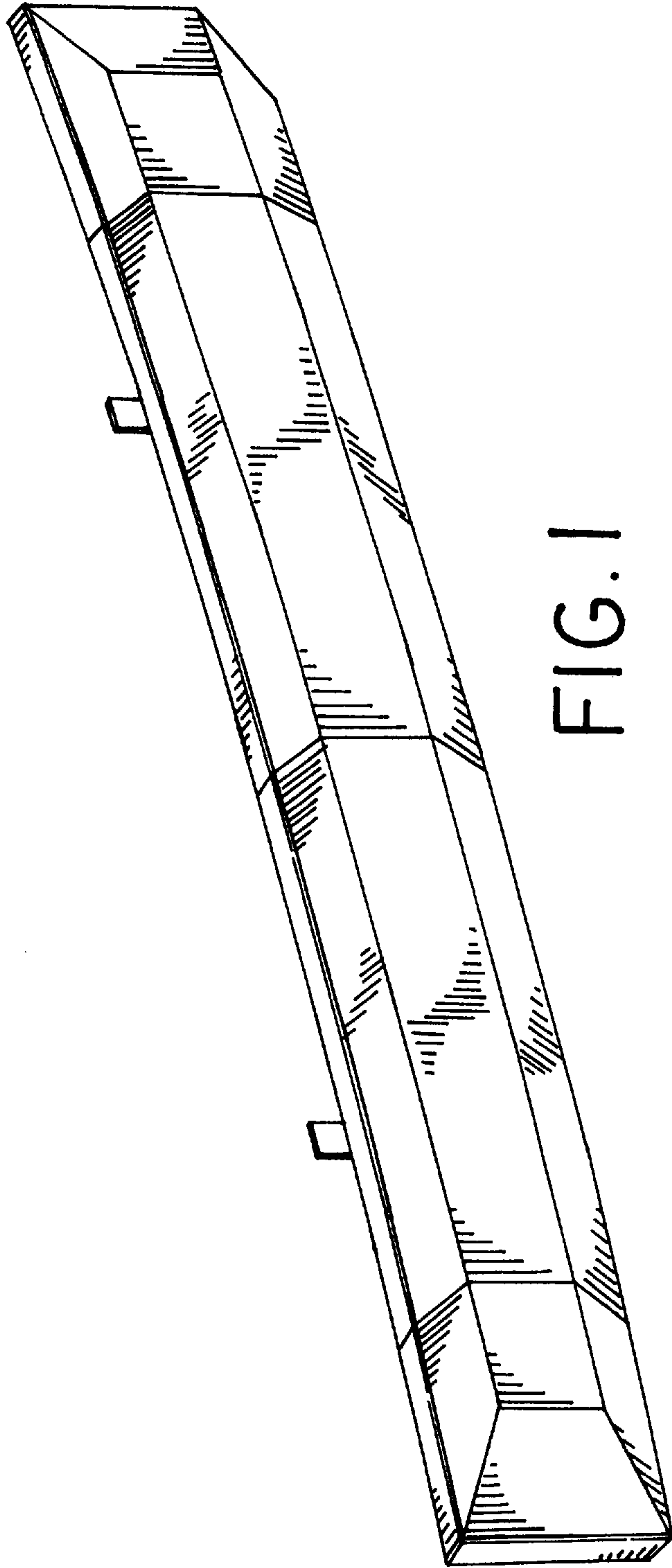


FIG. 1

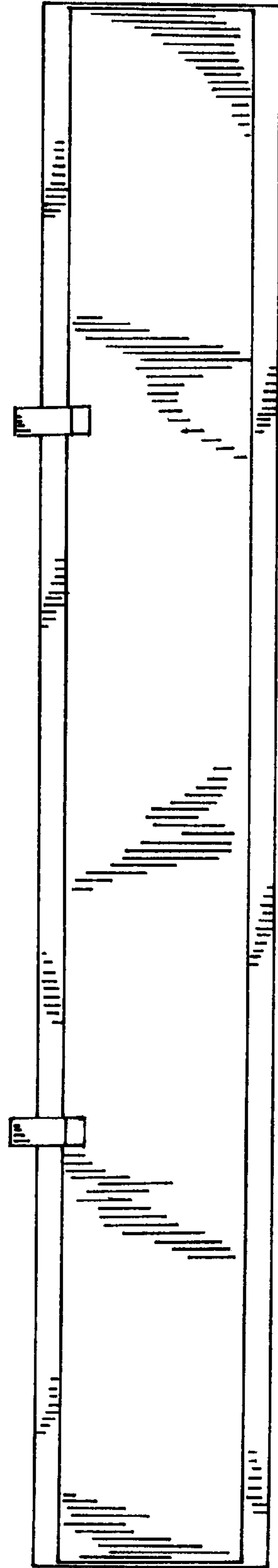


FIG. 4

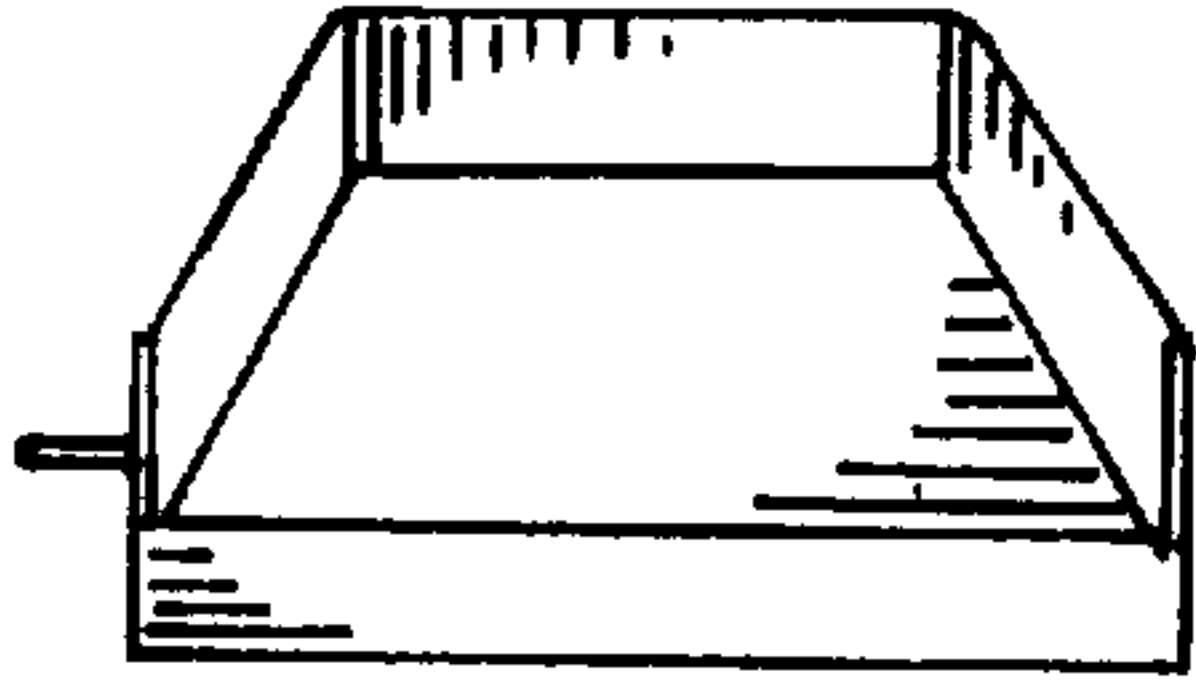


FIG. 5

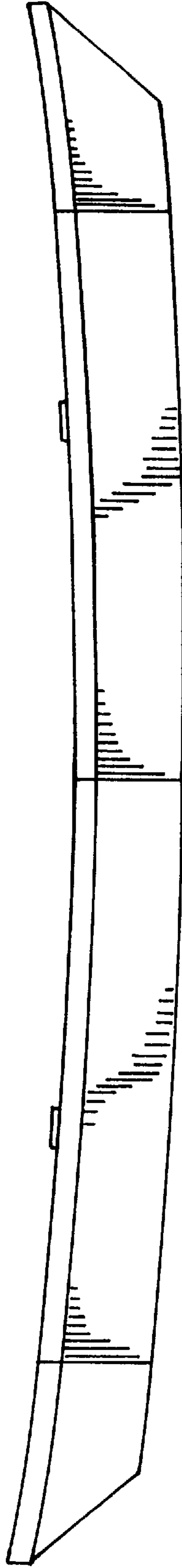


FIG. 3

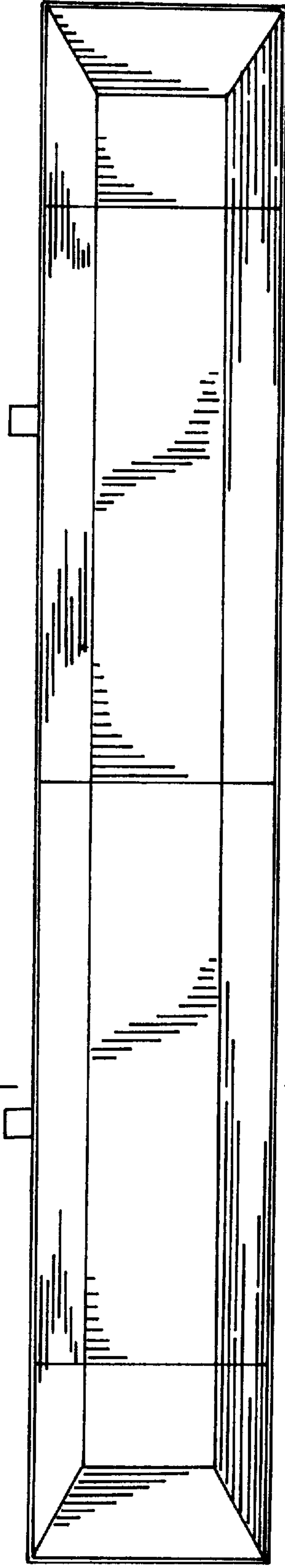
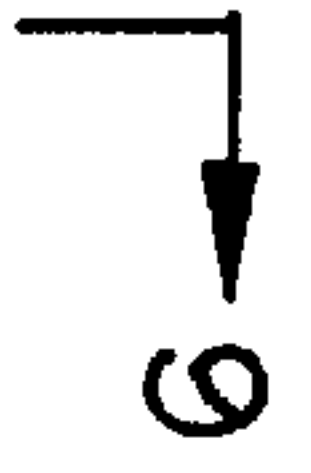
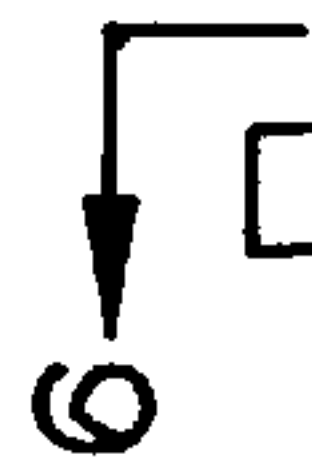


FIG. 2



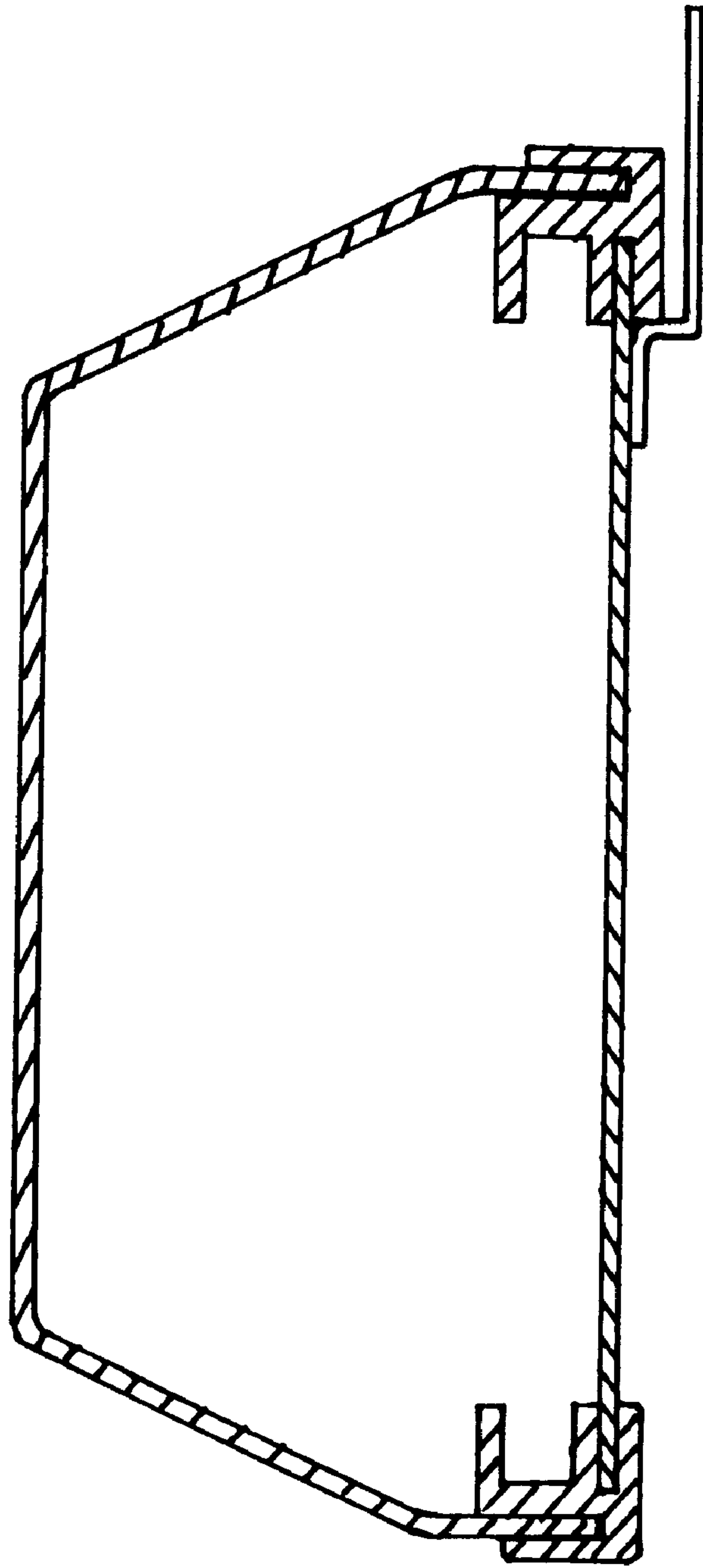


FIG. 6