



US00D431504S

United States Patent [19]
Hoska

[11] **Patent Number: Des. 431,504**

[45] **Date of Patent: ** Oct. 3, 2000**

[54] **TRAILER SECURITY HITCH**

4,844,496 7/1989 Webb et al. 280/511 X

[76] Inventor: **Stephen G. Hoska**, 16512 Edison St.
NE., Ham Lake, Minn. 55304

Primary Examiner—Stacia Cadmus
Attorney, Agent, or Firm—Haugen Law Firm PLLP

[**] Term: **14 Years**

[57] **CLAIM**

[21] Appl. No.: **29/116,839**

The ornamental design for the trailer security hitch, as shown and described.

[22] Filed: **Jan. 12, 2000**

DESCRIPTION

[51] **LOC (7) Cl.** **12-16**

[52] **U.S. Cl.** **D12/162**

[58] **Field of Search** D12/162, 400;
280/415, 416.1–416.3, 504, 510–513, 493–495

FIG. 1 is a perspective view of the trailer security hitch;
FIG. 2 is a side elevational view of the design;
FIG. 3 is a side elevational view of the design of FIG. 1
taken from the opposite side of that shown in FIG. 2;
FIG. 4 is a front elevational view of the design;
FIG. 5 is a rear elevational view of the design;
FIG. 6 is a top elevational view of the design;
FIG. 7 is a bottom view of the design; and,
FIG. 8 is a perspective view of the trailer security hitch, and
illustrating in phantom the manner in which the trailer
security hitch may be mounted on a tree or the like.
The broken line showing of environment is for illustrative
purposes only and forms no part of the claimed design.

[56] **References Cited**

U.S. PATENT DOCUMENTS

D. 243,166	1/1977	Jones	D12/162	X
D. 258,357	2/1981	Jackson	D12/162	
D. 311,511	10/1990	Craig	D12/162	
D. 319,204	8/1991	McGrady	D12/162	
D. 331,558	12/1992	Hayes, Jr.	D12/162	
D. 379,608	6/1997	Rodriguez	D12/162	
D. 401,542	11/1998	Lindenman et al.	D12/162	
4,807,900	2/1989	Tate	280/416.1	X

1 Claim, 2 Drawing Sheets

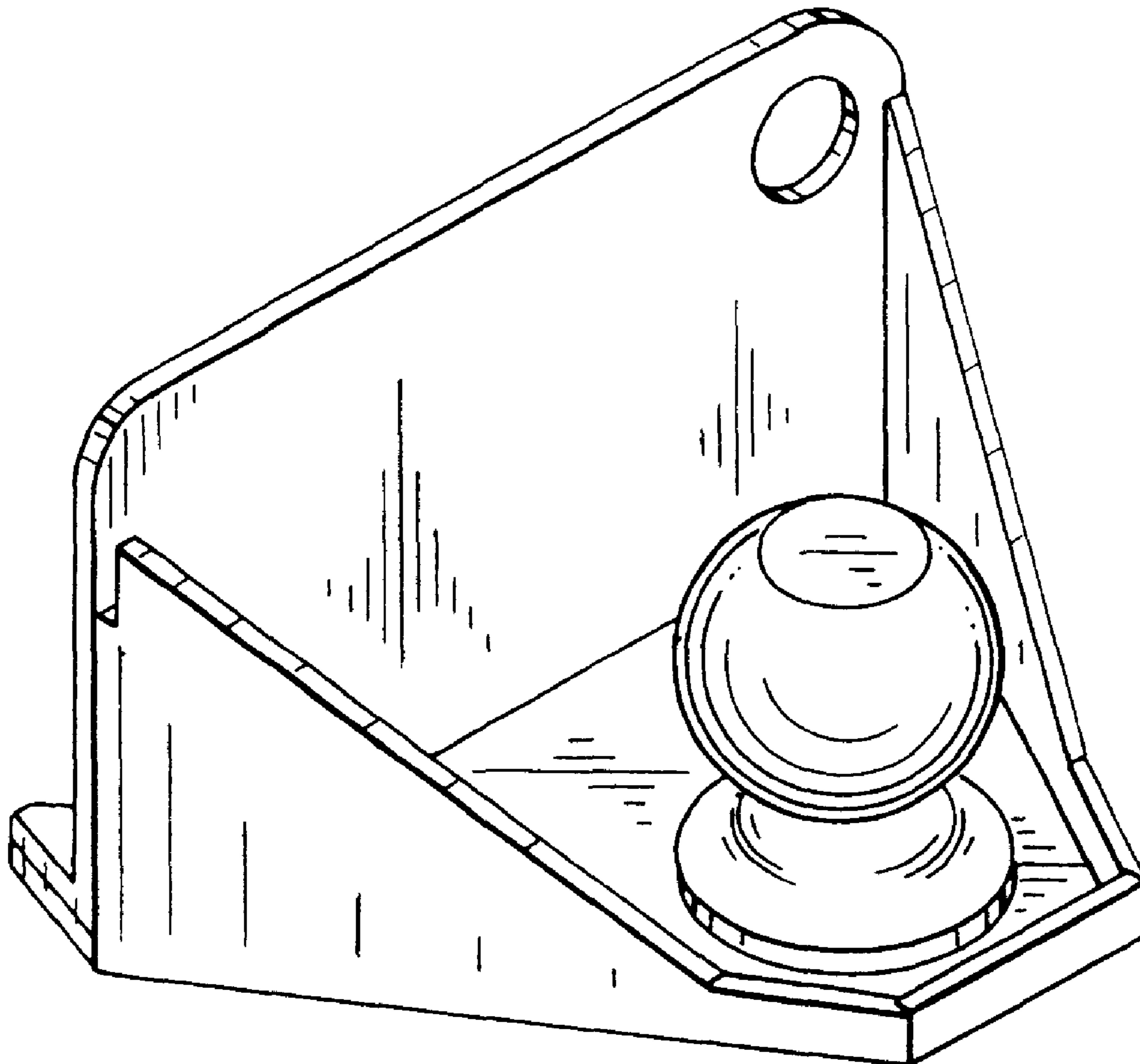


Fig.-1

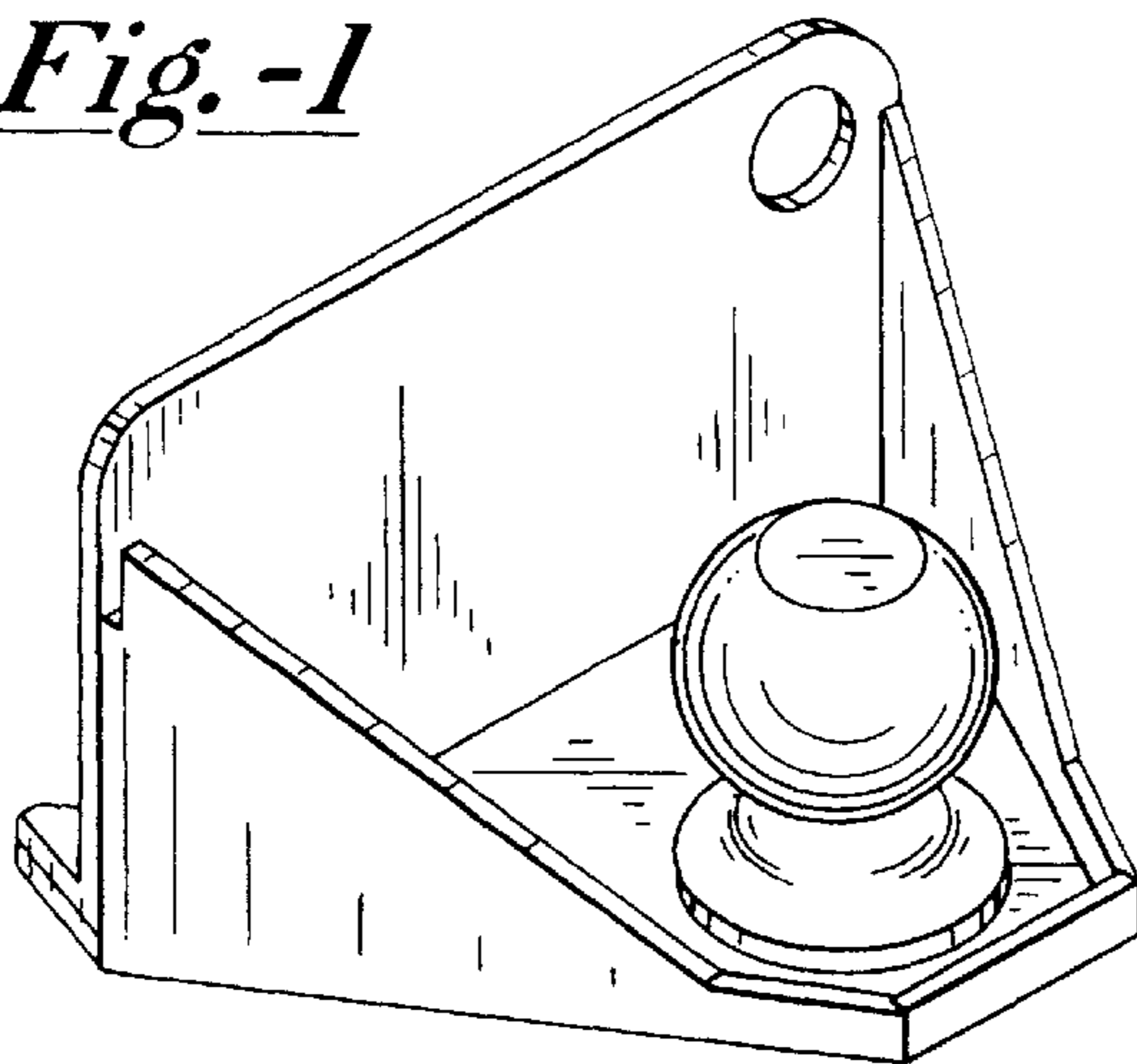


Fig.-2

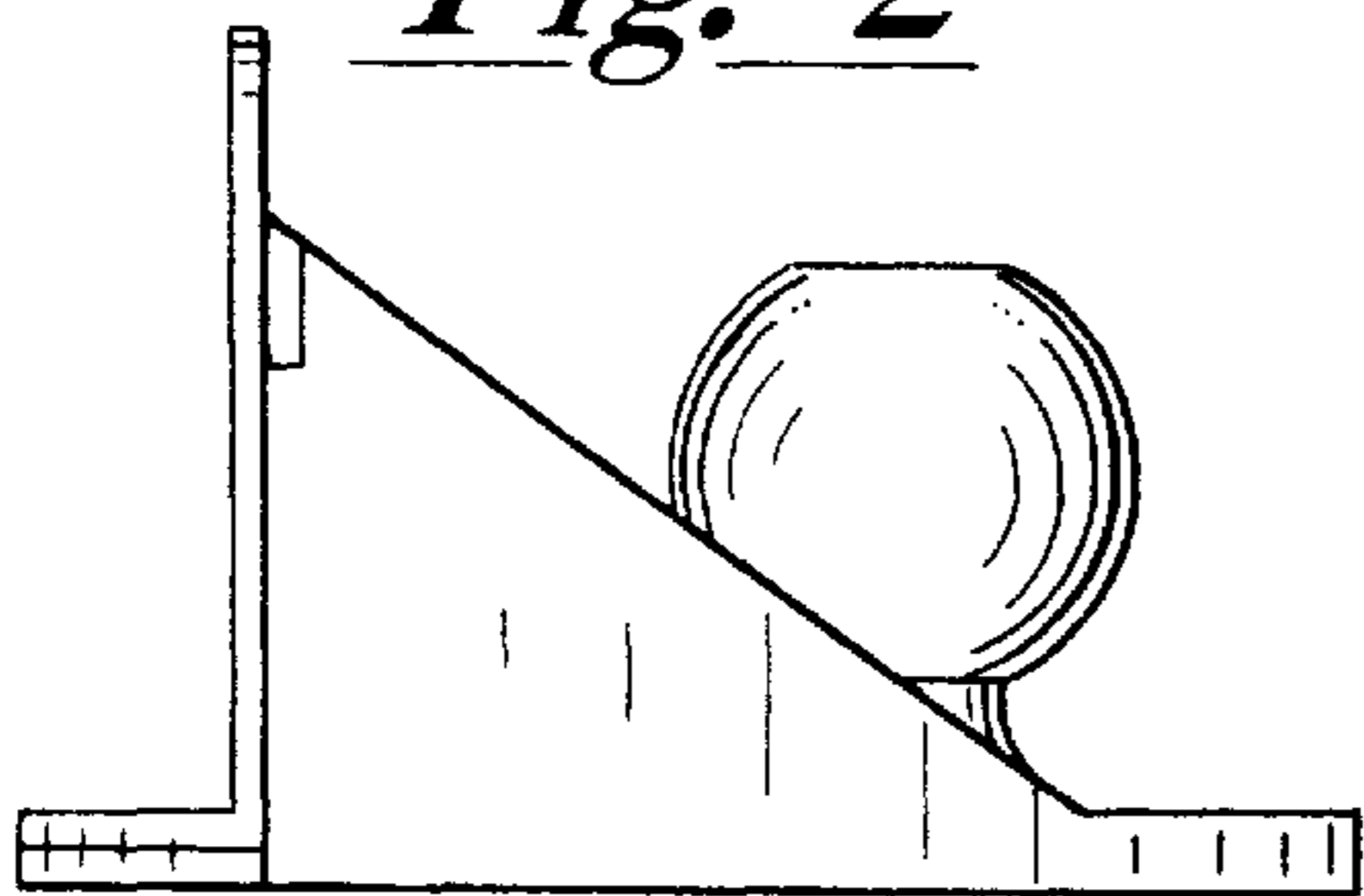


Fig.-3

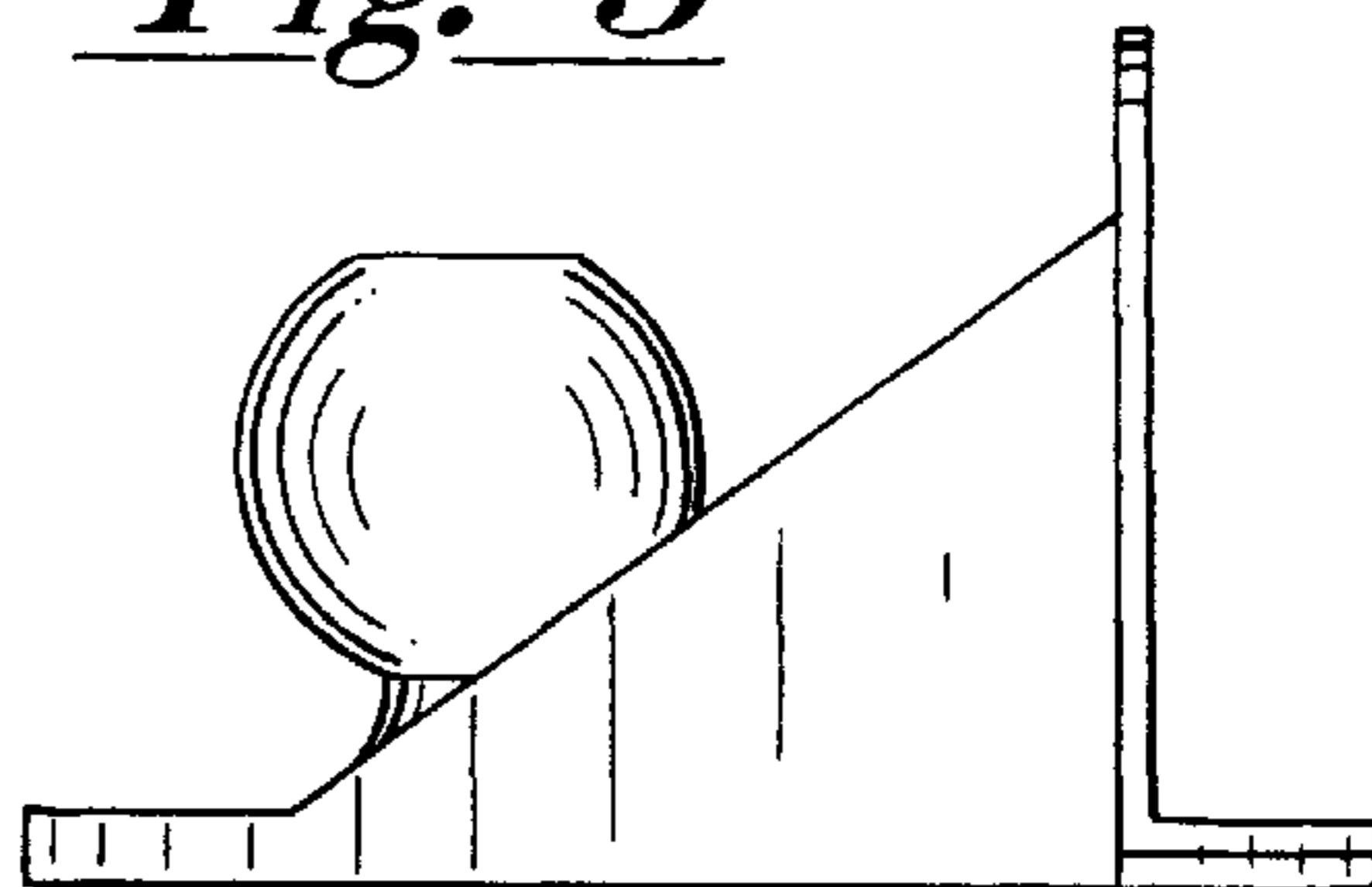


Fig.-4

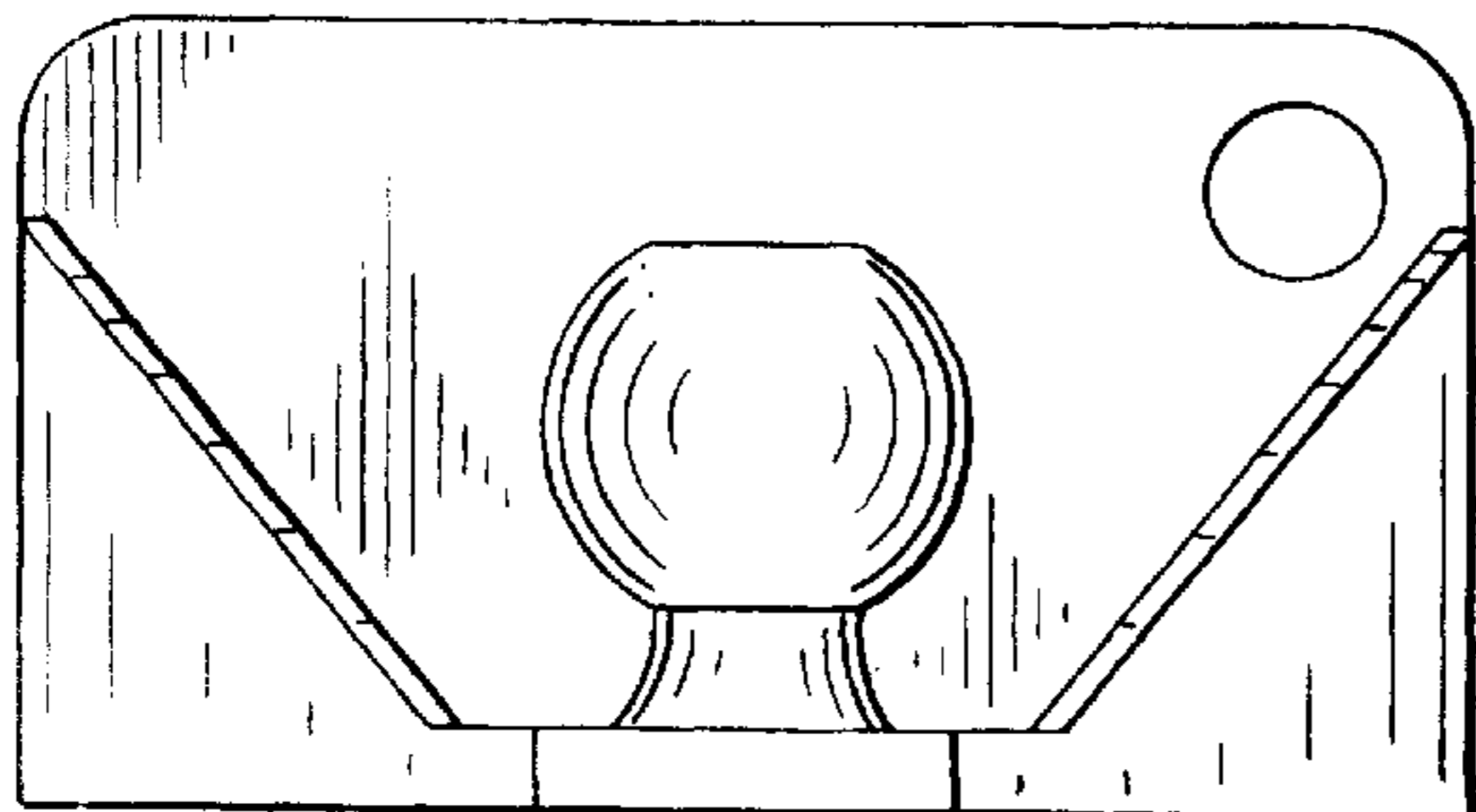


Fig.-5

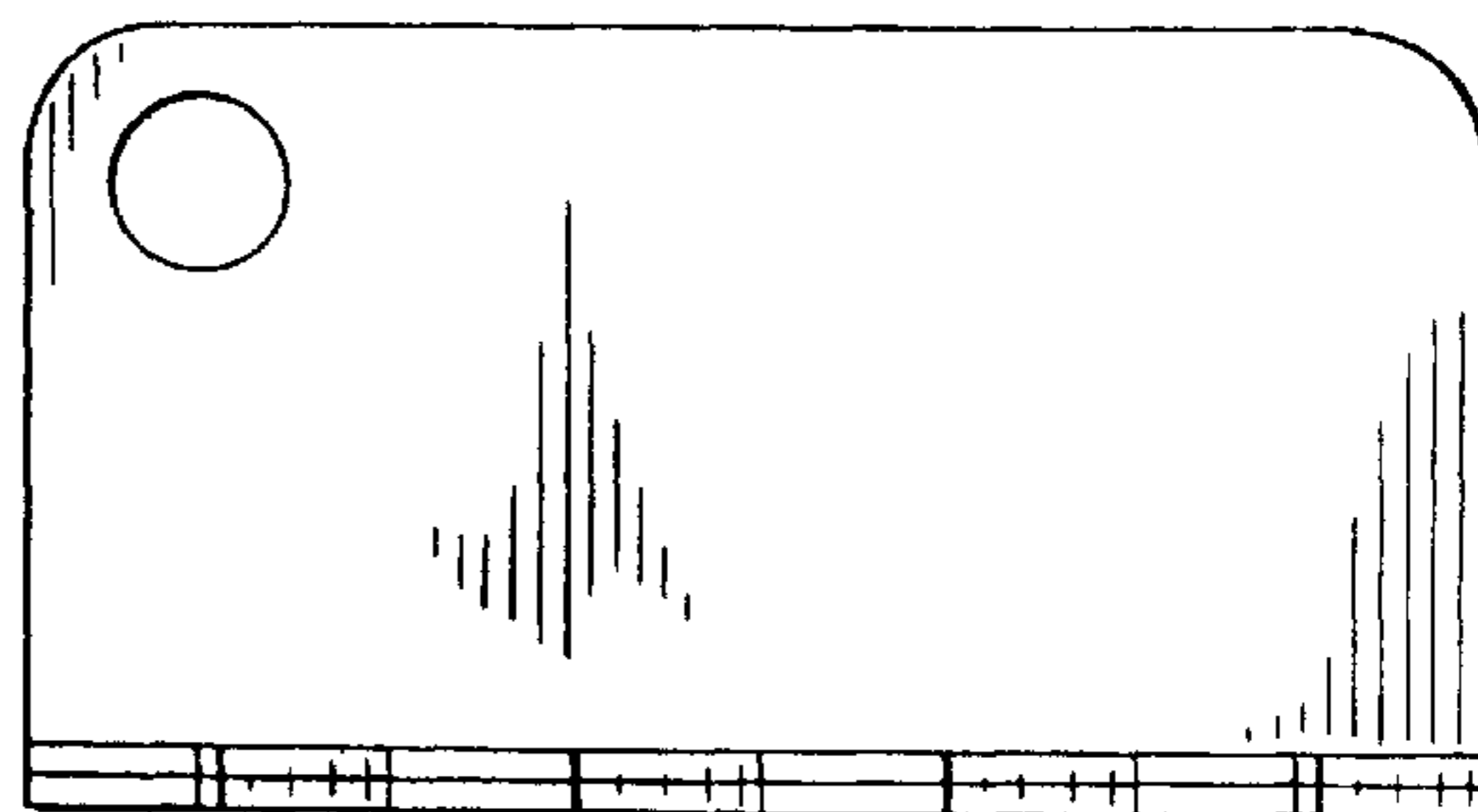


Fig.-6

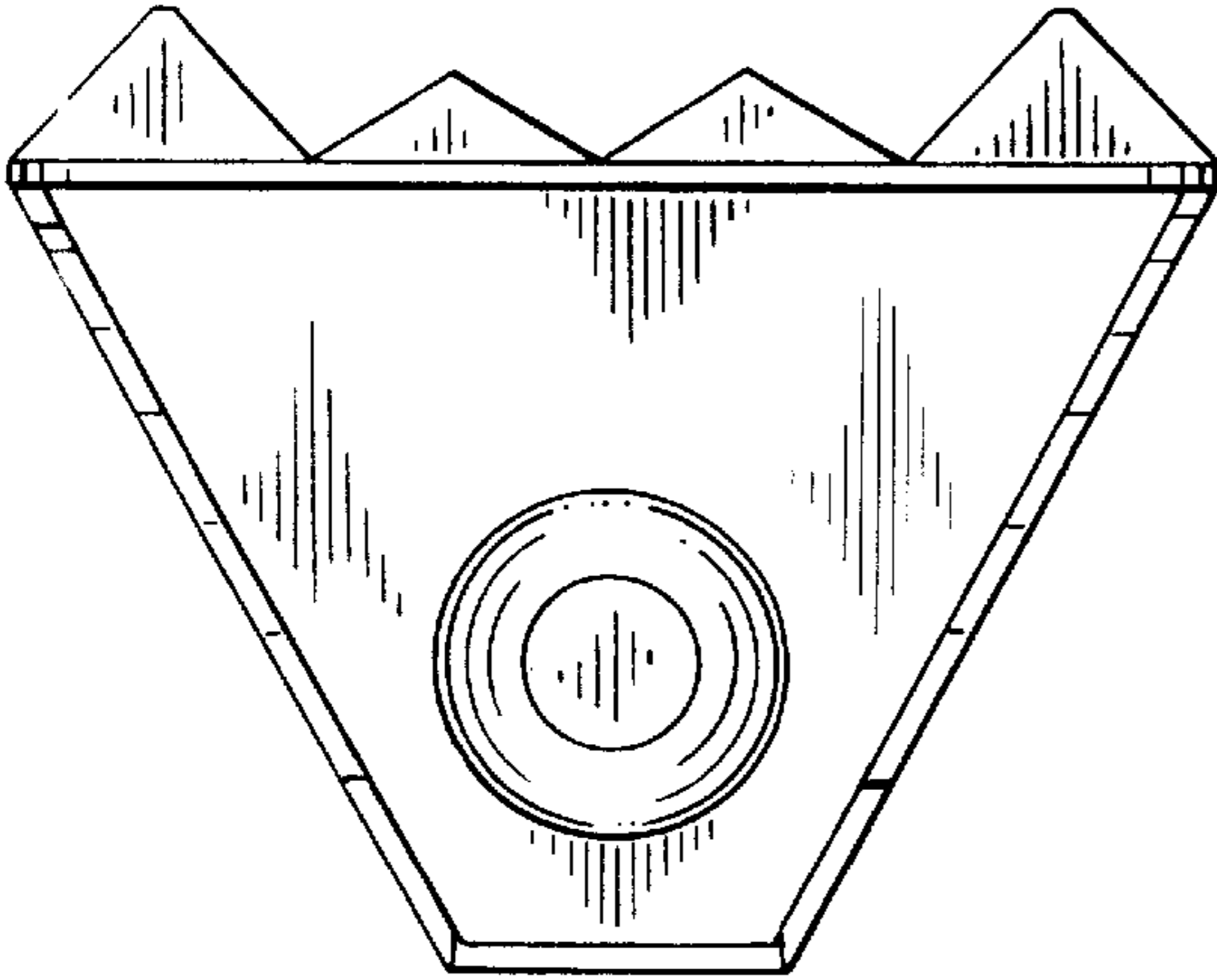


Fig.-7

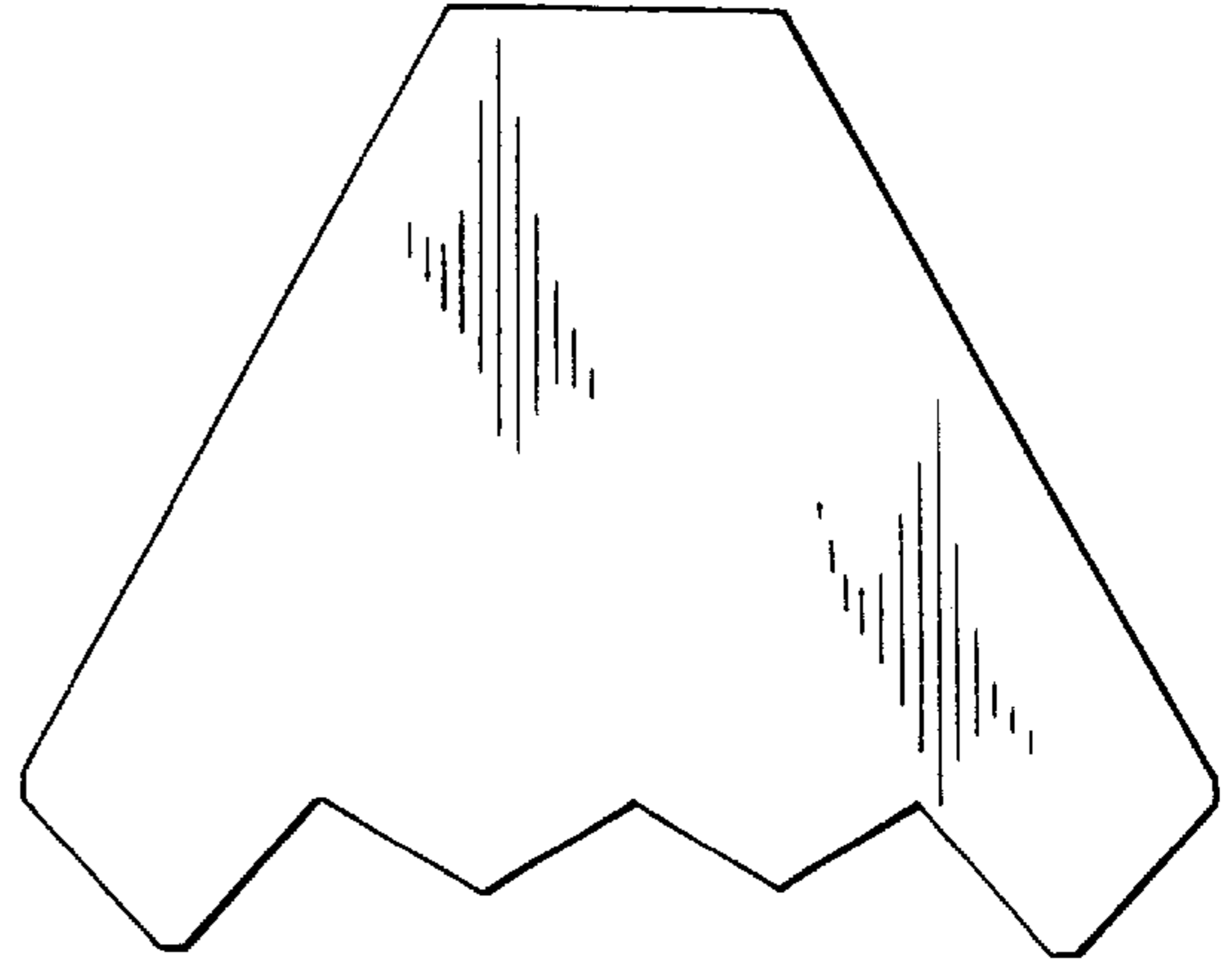


Fig.-8

