



US00D431502S

United States Patent [19] Schlangen

[11] **Patent Number: Des. 431,502**

[45] **Date of Patent: ** Oct. 3, 2000**

[54] **WHEELCHAIR WITH VERTICALLY ADJUSTABLE SEAT**

5,613,697 3/1997 Johnson 280/250.1
5,695,248 12/1997 Bell .
5,772,226 6/1998 Bobichon .

[75] Inventor: **Phillip E. Schlangen**, Minneapolis, Minn.

Primary Examiner—Kay H. Chin
Attorney, Agent, or Firm—Burd, Bartz & Gutenkauf

[73] Assignee: **Kurt Manufacturing Company**, Minneapolis, Minn.

[57] **CLAIM**

[**] Term: **14 Years**

The ornamental design of a wheelchair with vertically adjustable seat, as shown and described.

[21] Appl. No.: **29/120,695**

DESCRIPTION

[22] Filed: **Mar. 27, 2000**

FIG. 1 is a perspective view of the wheelchair with vertically adjustable seat of my new design showing the seat in the down position;

[51] **LOC (7) Cl.** **12-12**

FIG. 2 is a top plan view thereof;

[52] **U.S. Cl.** **D12/131; D12/128**

FIG. 3 is a front elevational view thereof;

[58] **Field of Search** **D12/128-133; 180/65.6; 280/42, 250.1, 242.1, 650**

FIG. 4 is a rear elevational view thereof;

FIG. 5 is a side elevational view of the right side thereof;

FIG. 6 is a side elevational view of the left side thereof;

FIG. 7 is a bottom plan view thereof;

FIG. 8 is a perspective view of the wheelchair with vertically adjustable seat of FIG. 1, showing the seat in the up position and right arm rest in a horizontal position;

FIG. 9 is a top plan view of the wheelchair of FIG. 8;

FIG. 10 is a front elevational view of the wheelchair of FIG. 8;

FIG. 11 is a rear elevational view of the wheelchair of FIG. 8;

FIG. 12 is a side elevational view of the right side of the wheelchair of FIG. 8;

FIG. 13 is a side elevational view of the left side of the wheelchair of FIG. 8; and,

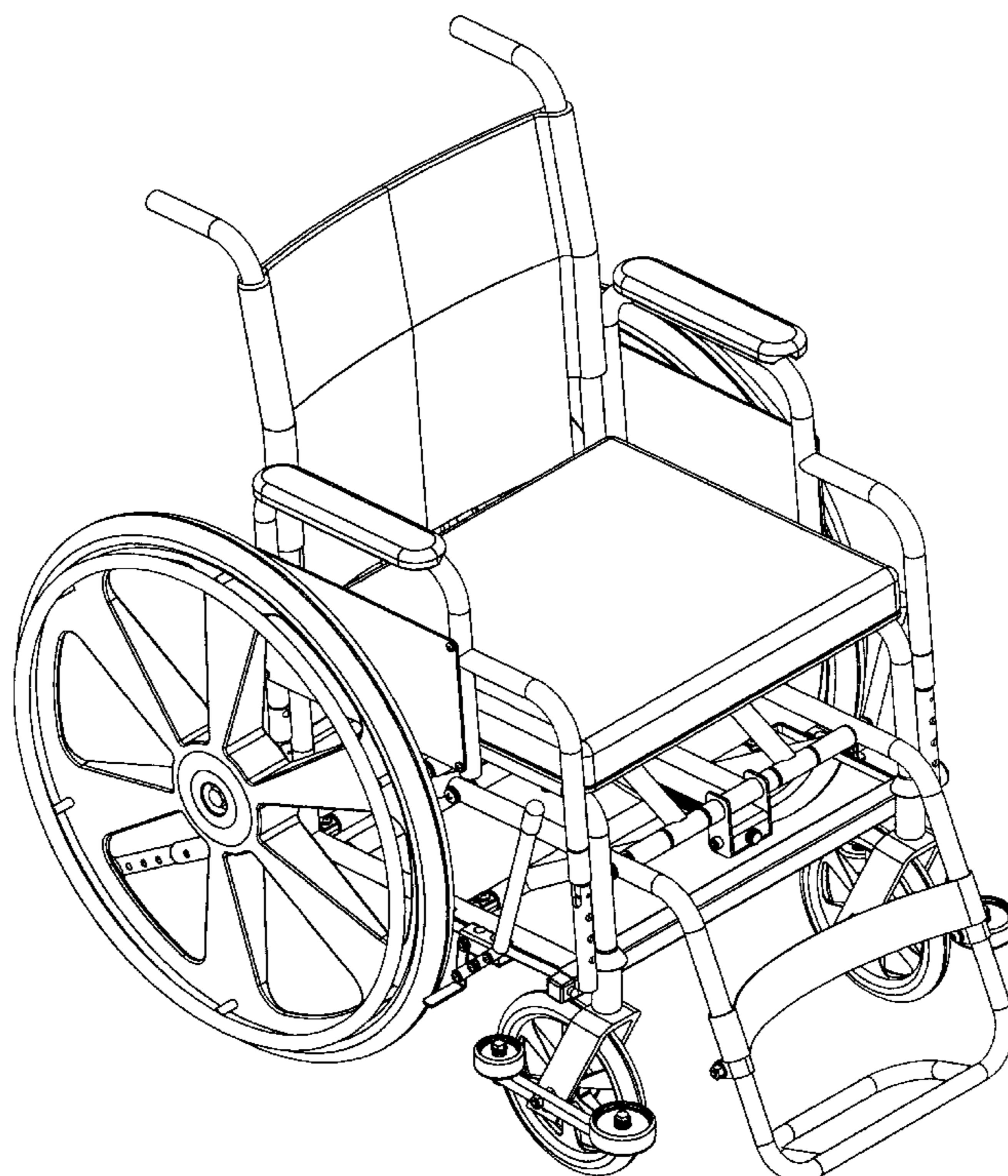
FIG. 14 is a bottom plan view of the wheelchair of FIG. 8.

[56] **References Cited**

U.S. PATENT DOCUMENTS

D. 316,063	4/1991	Michel .	
D. 339,315	9/1993	Lindkvist et al.	D12/131
D. 352,684	11/1994	Smith et al.	D12/131
D. 413,554	9/1999	Schlangen	D12/131
2,233,262	2/1941	Jacobson .	
2,592,025	4/1952	Gray .	
2,678,087	5/1954	McKinley .	
2,729,272	1/1956	Ligde et al. .	
2,982,336	5/1961	Minici .	
4,613,151	9/1986	Kielczewski .	
4,614,246	9/1986	Masse et al. .	
5,040,638	8/1991	Smith .	
5,375,910	12/1994	Murphy .	
5,556,121	9/1996	Pillot .	
5,601,302	2/1997	Beard et al. .	

1 Claim, 14 Drawing Sheets



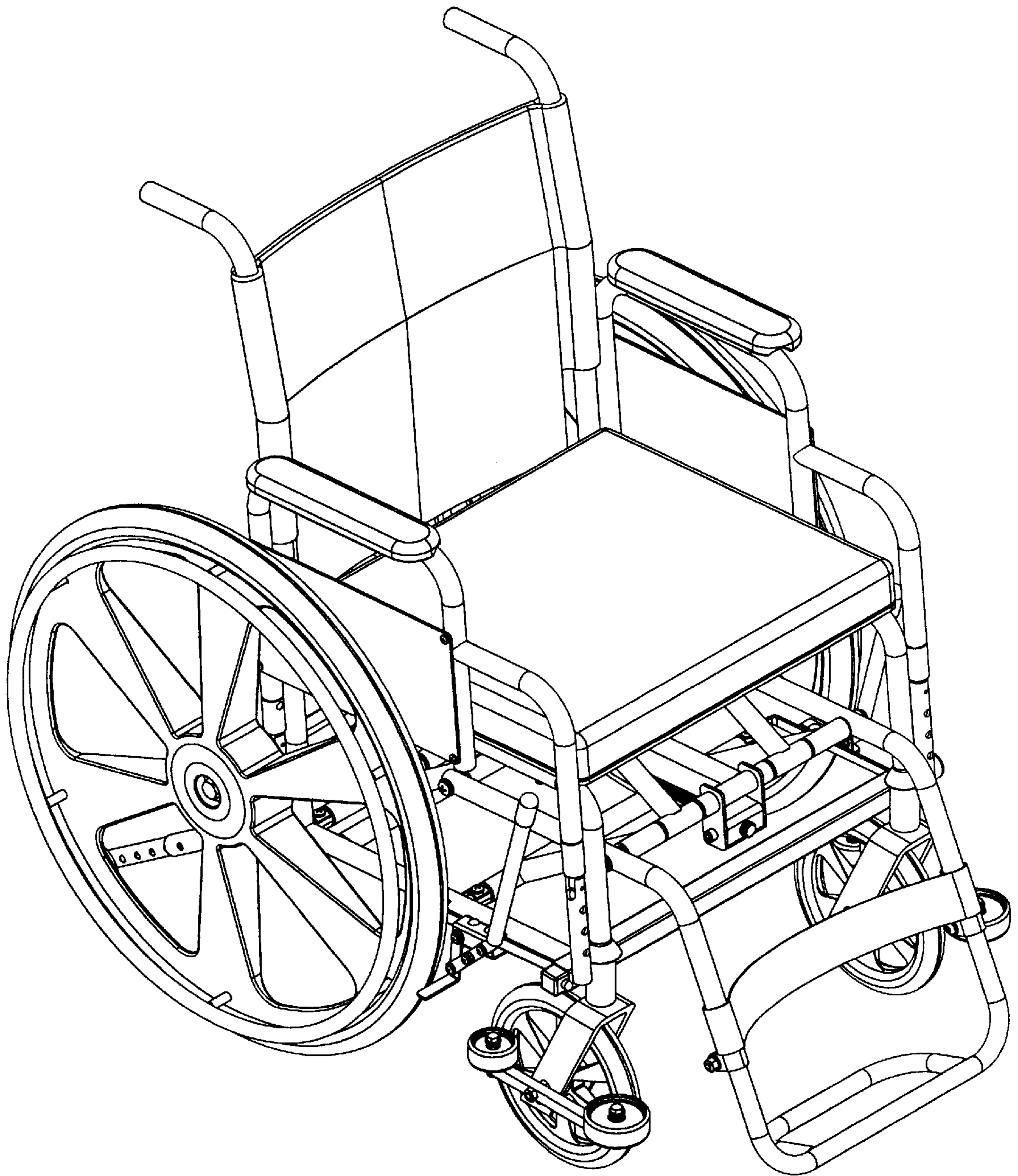


FIG. 1

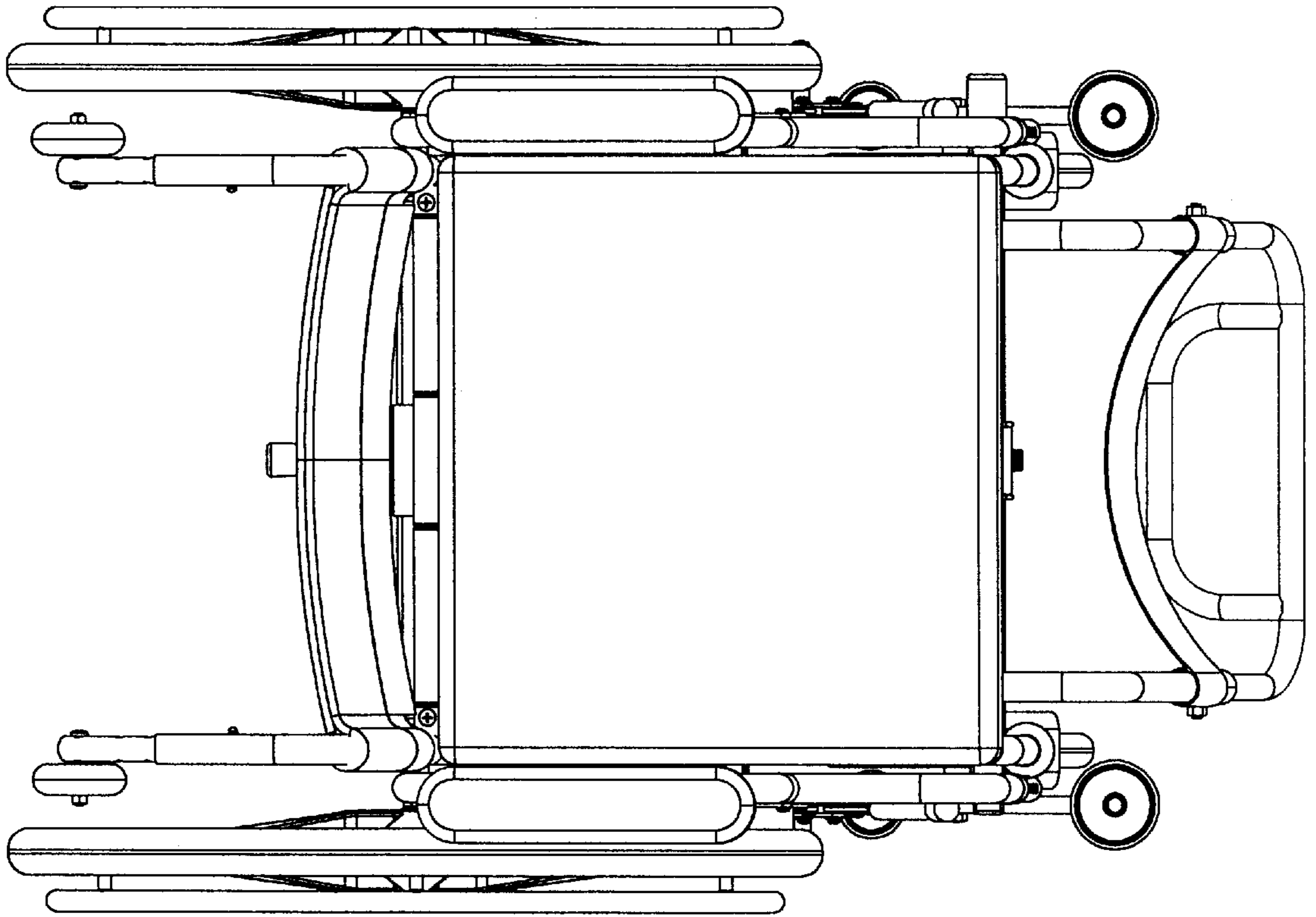


FIG. 2

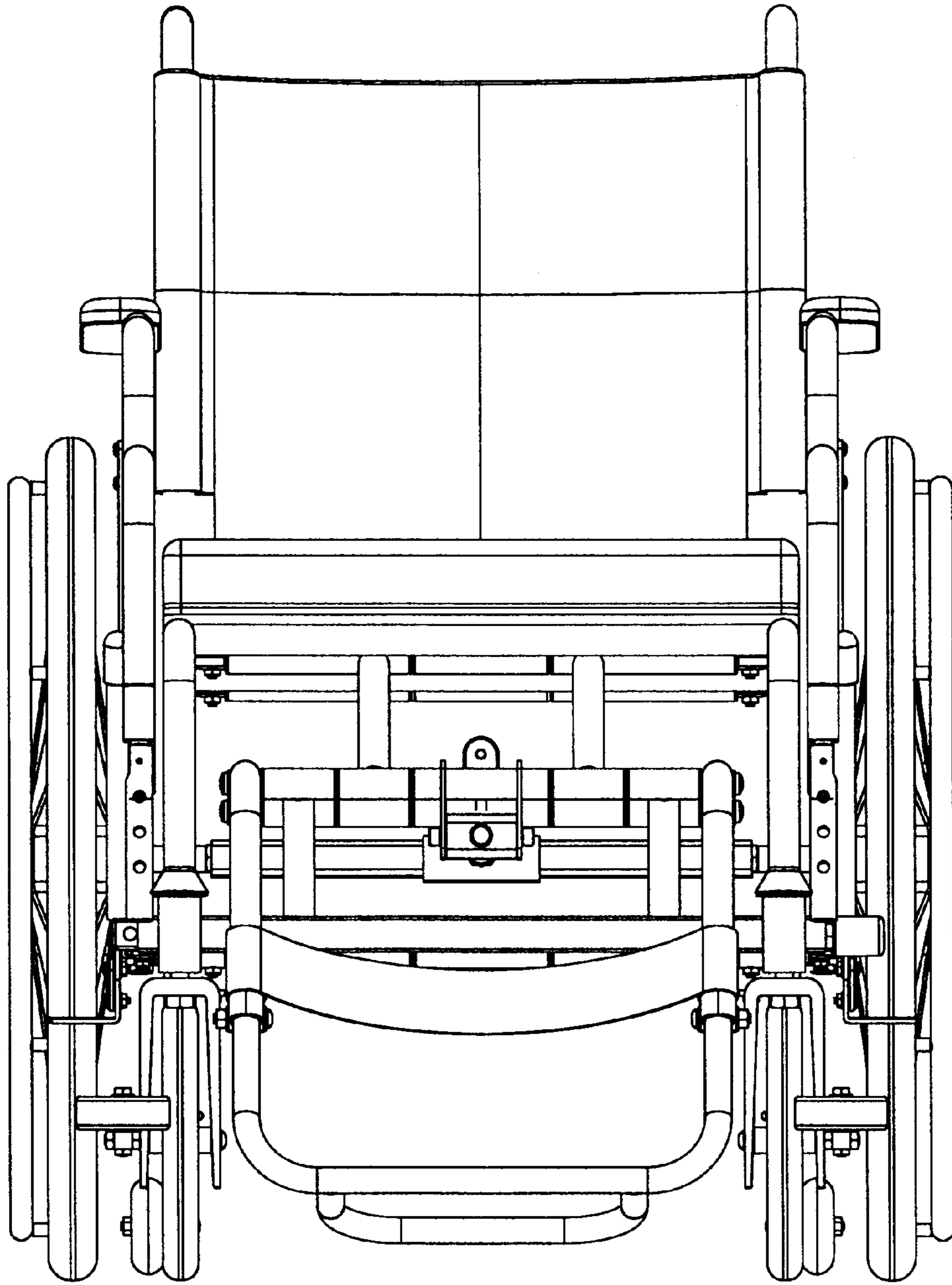


FIG. 3

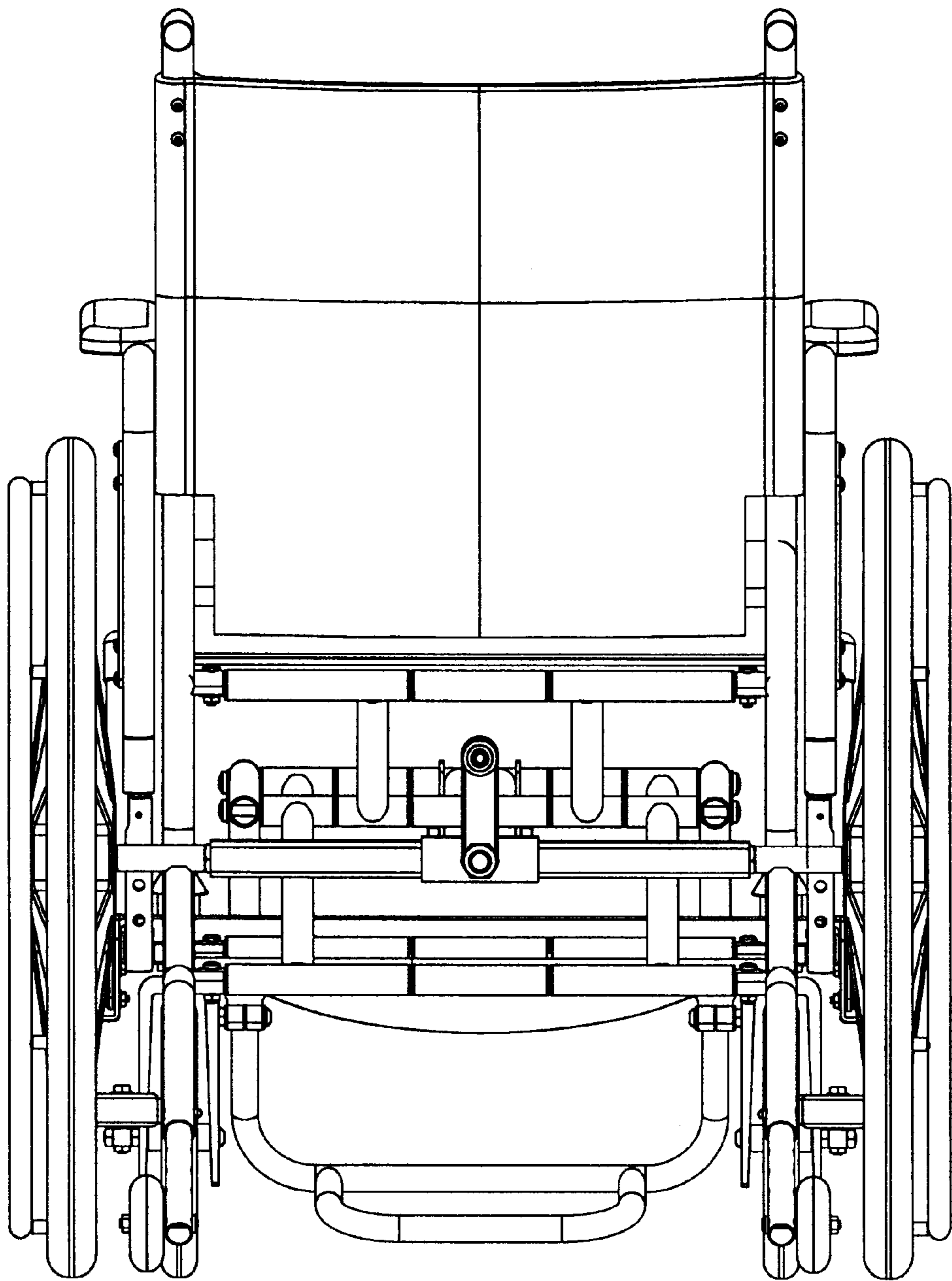


FIG. 4

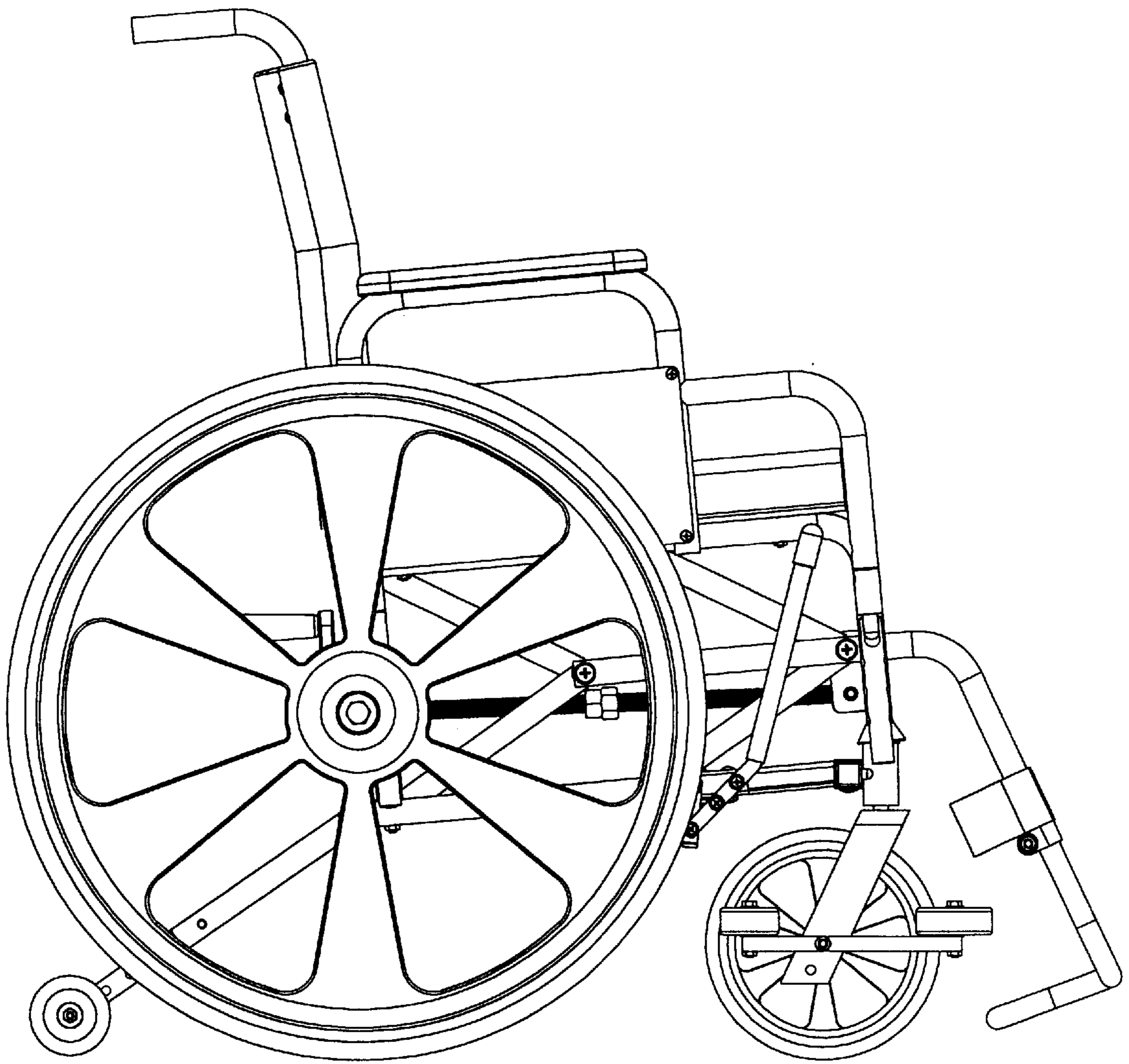


FIG. 5

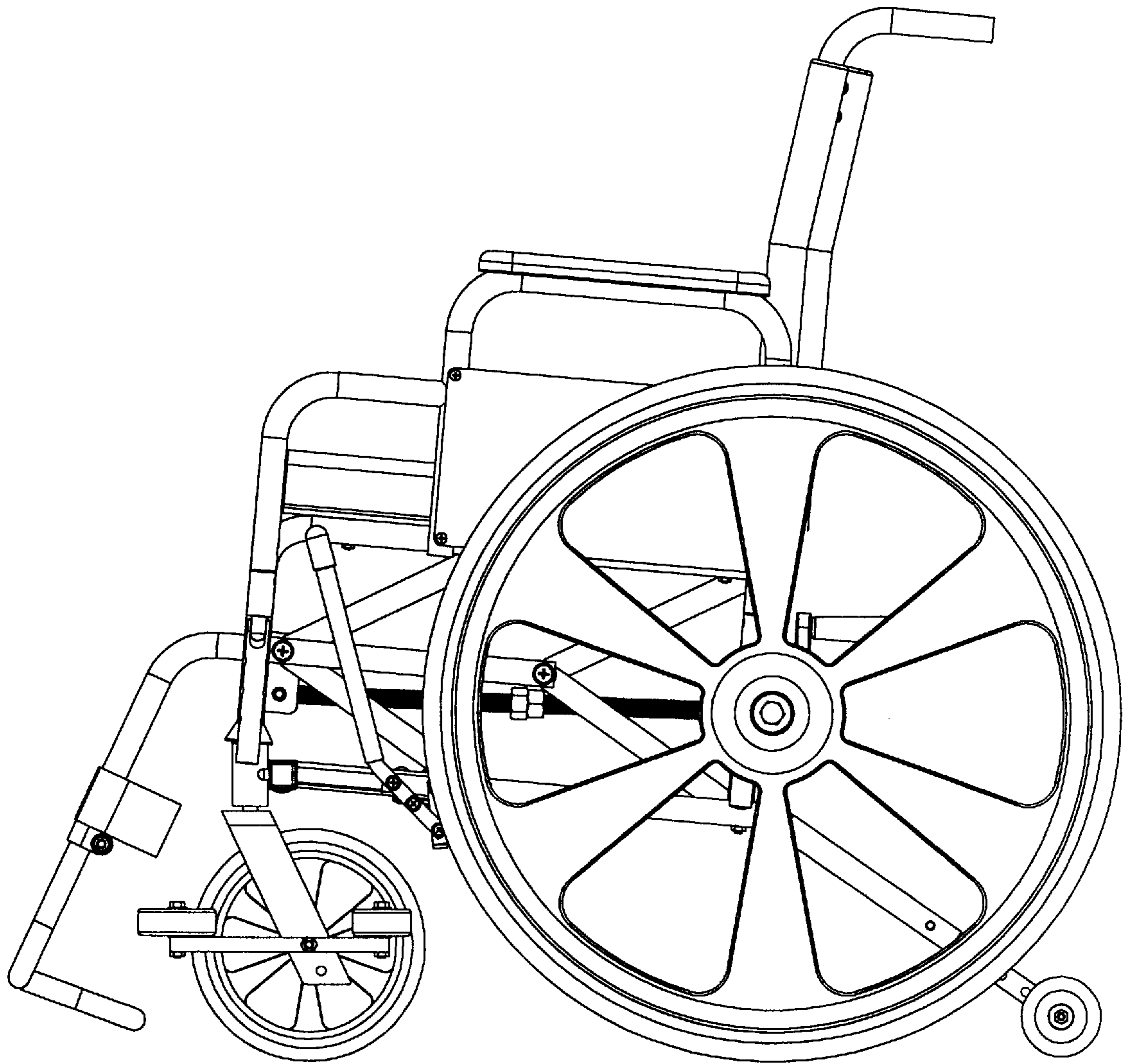


FIG. 6

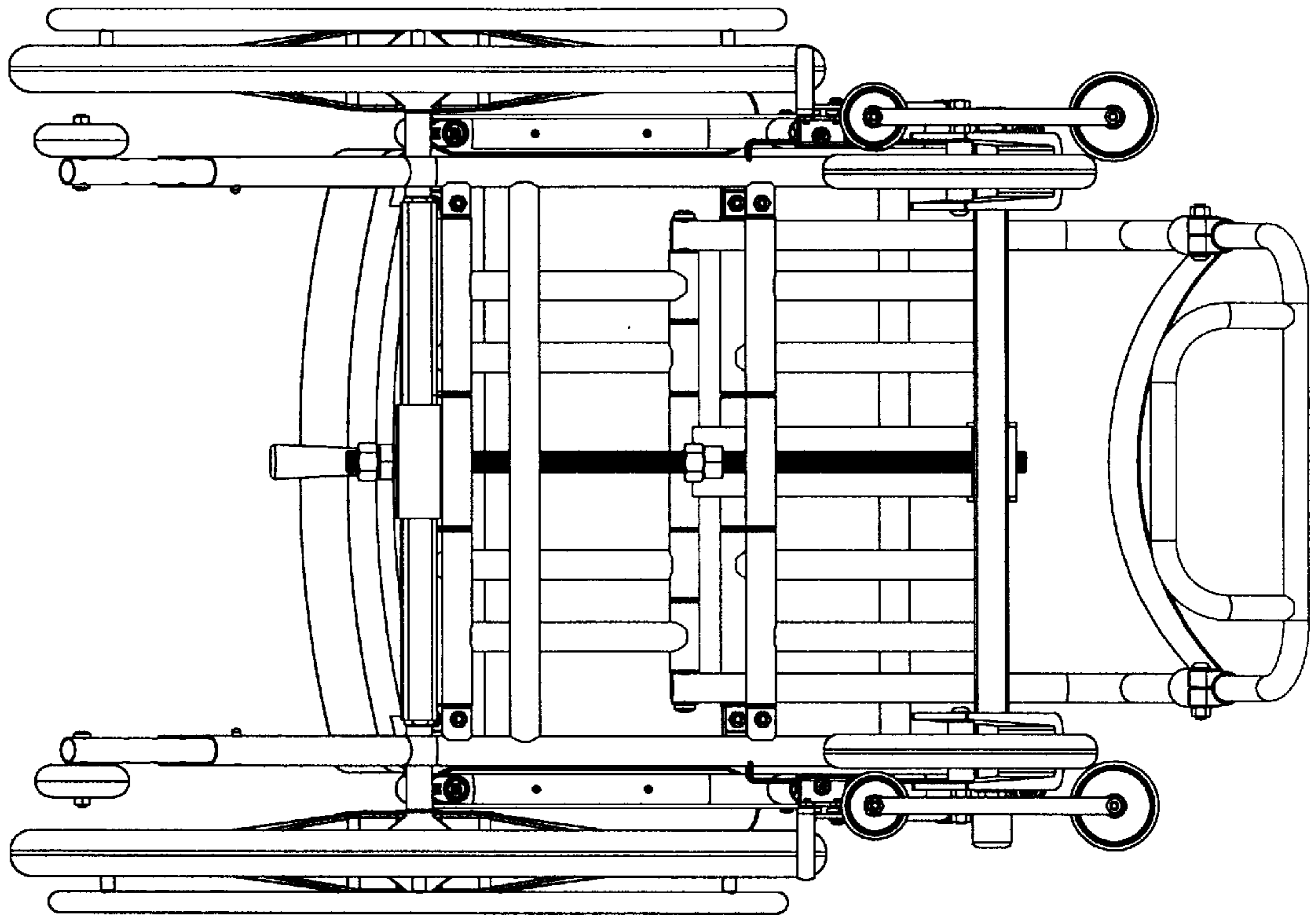
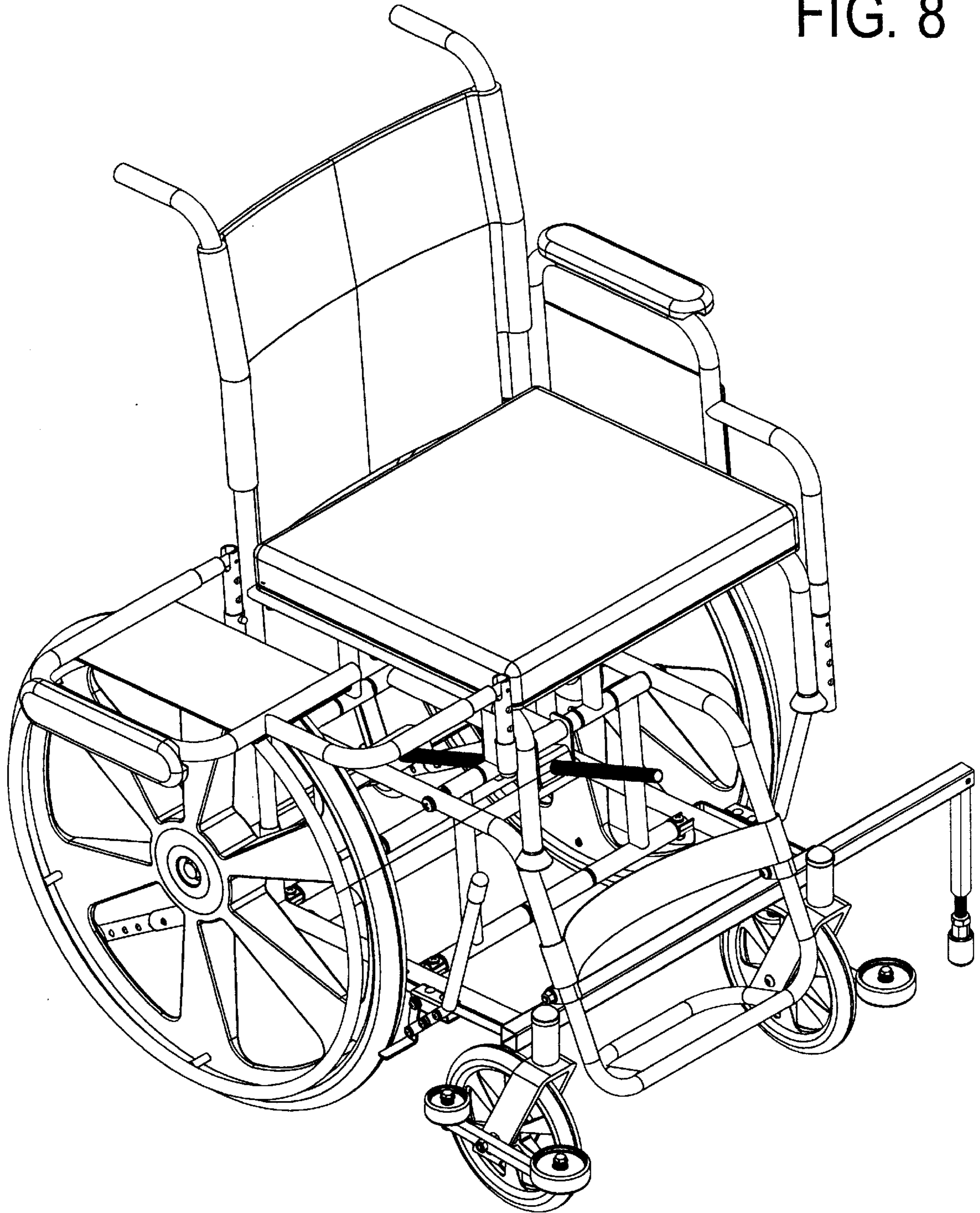


FIG. 7

FIG. 8



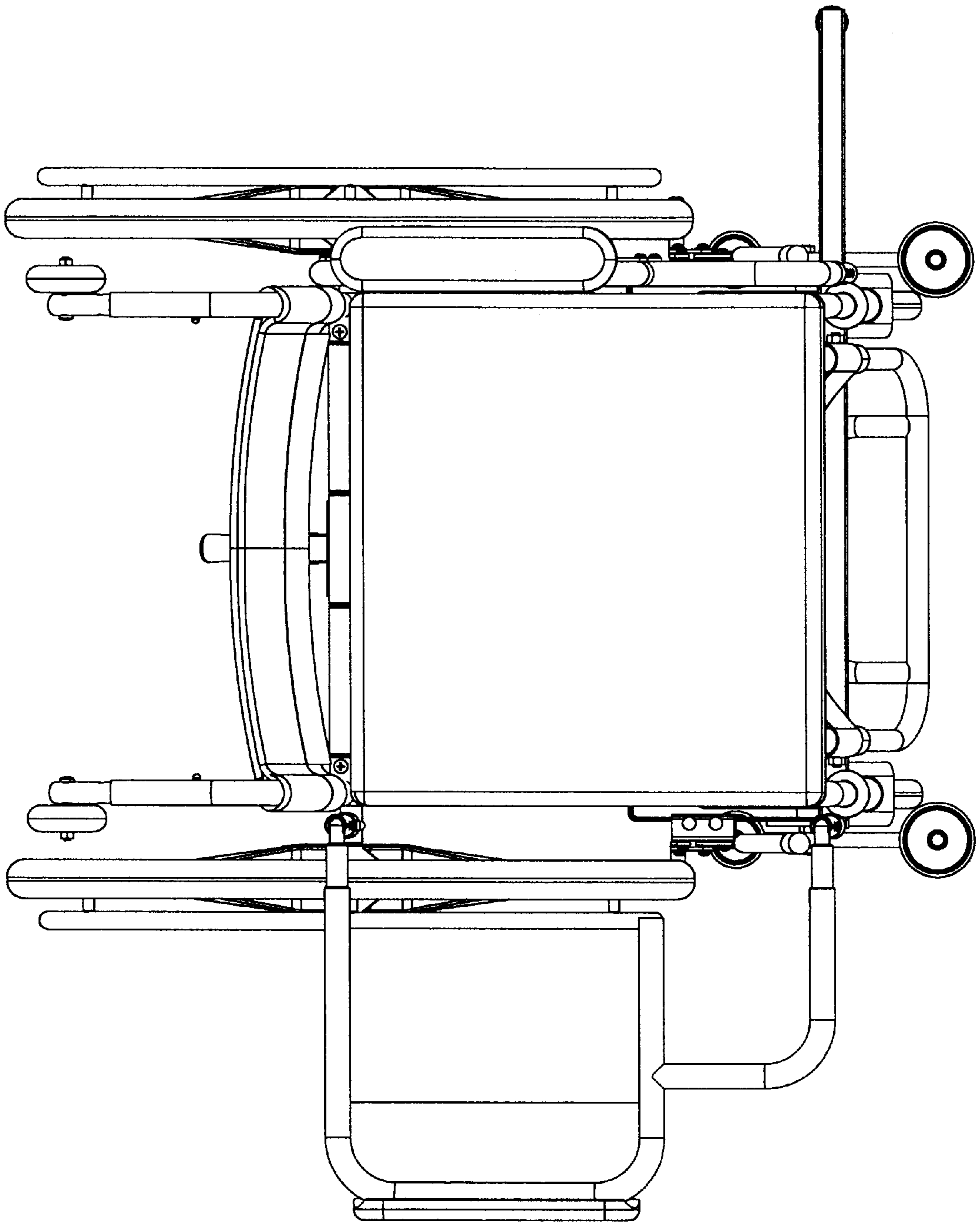


FIG. 9

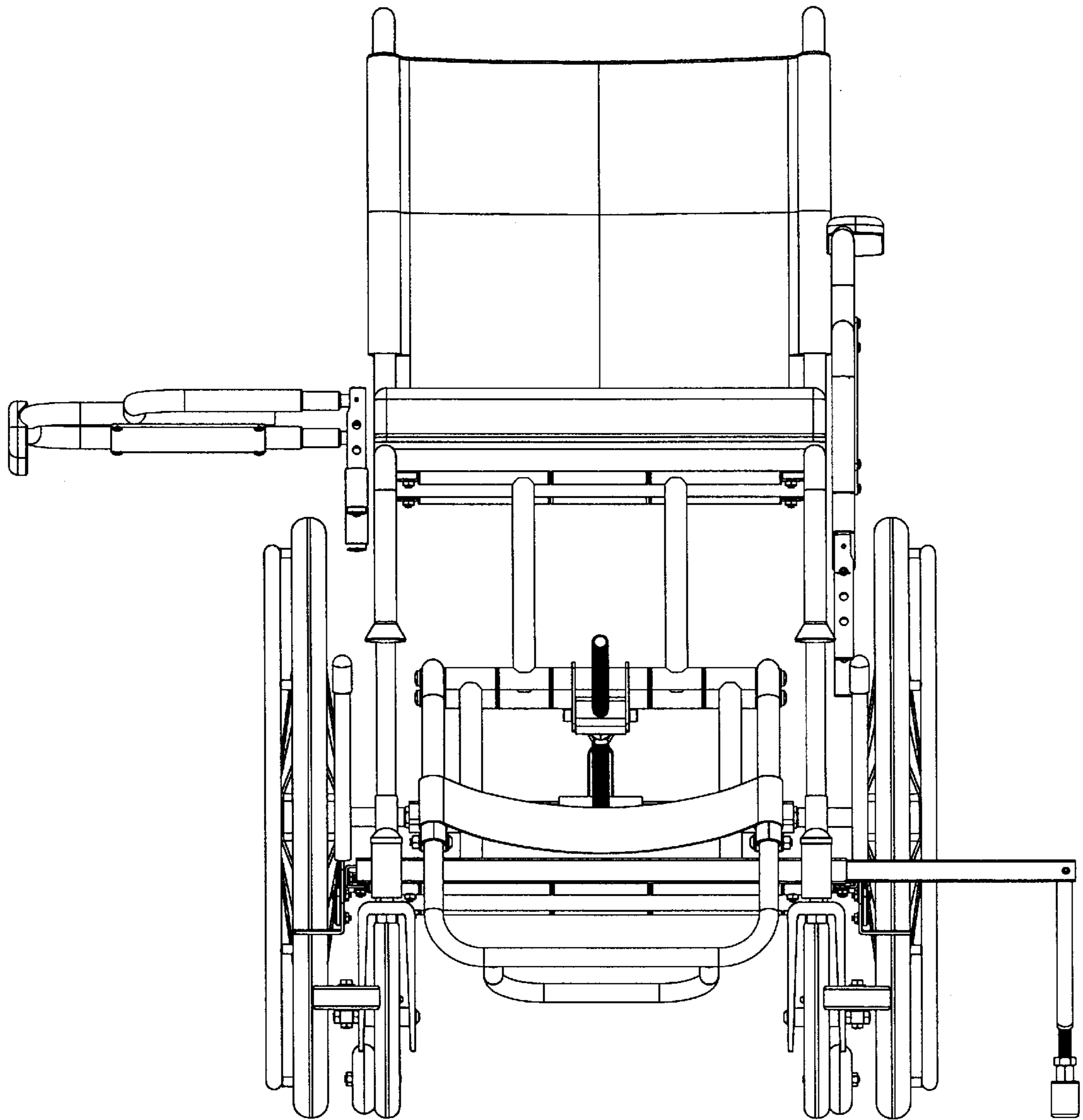


FIG. 10

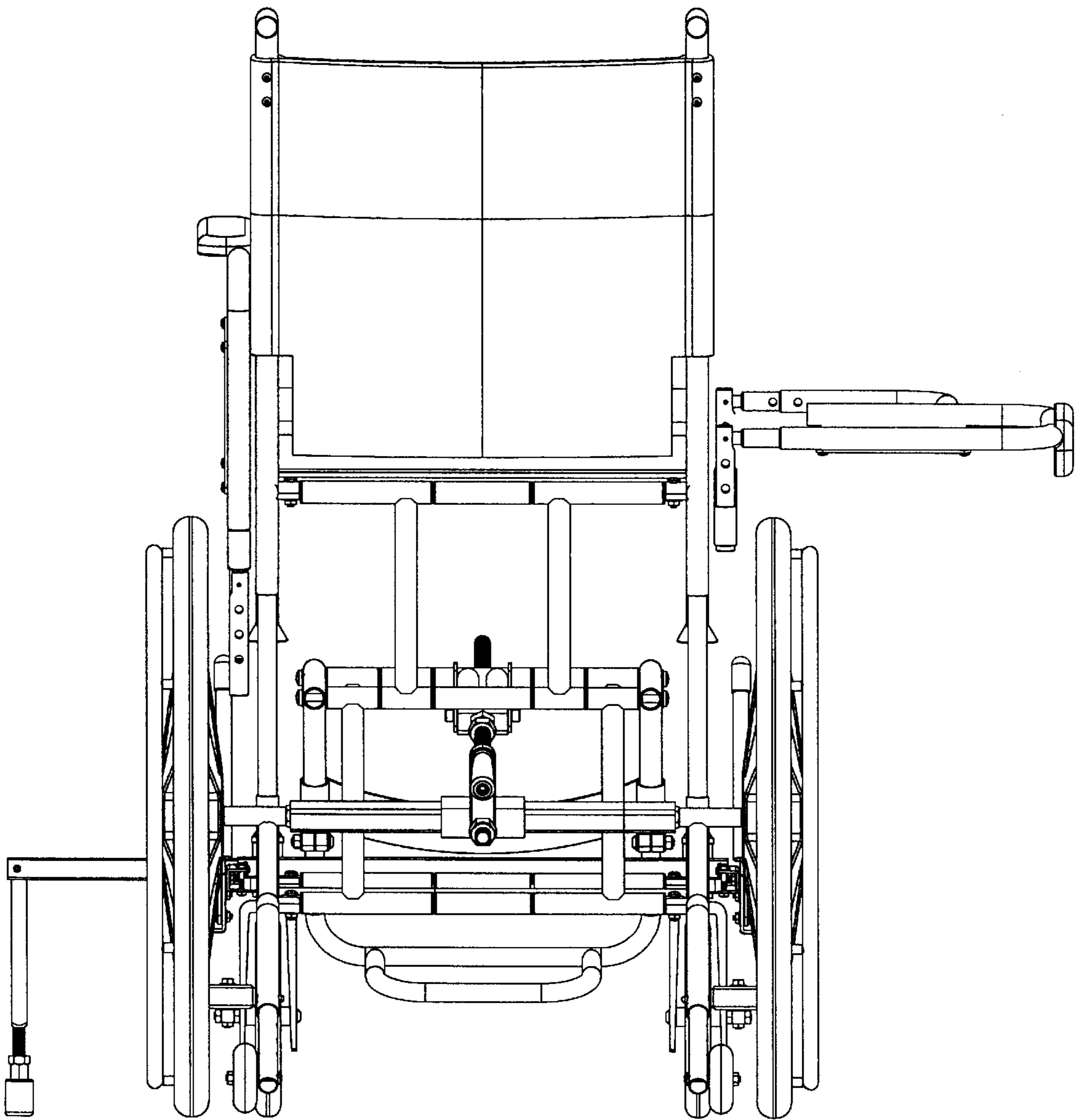


FIG. 11

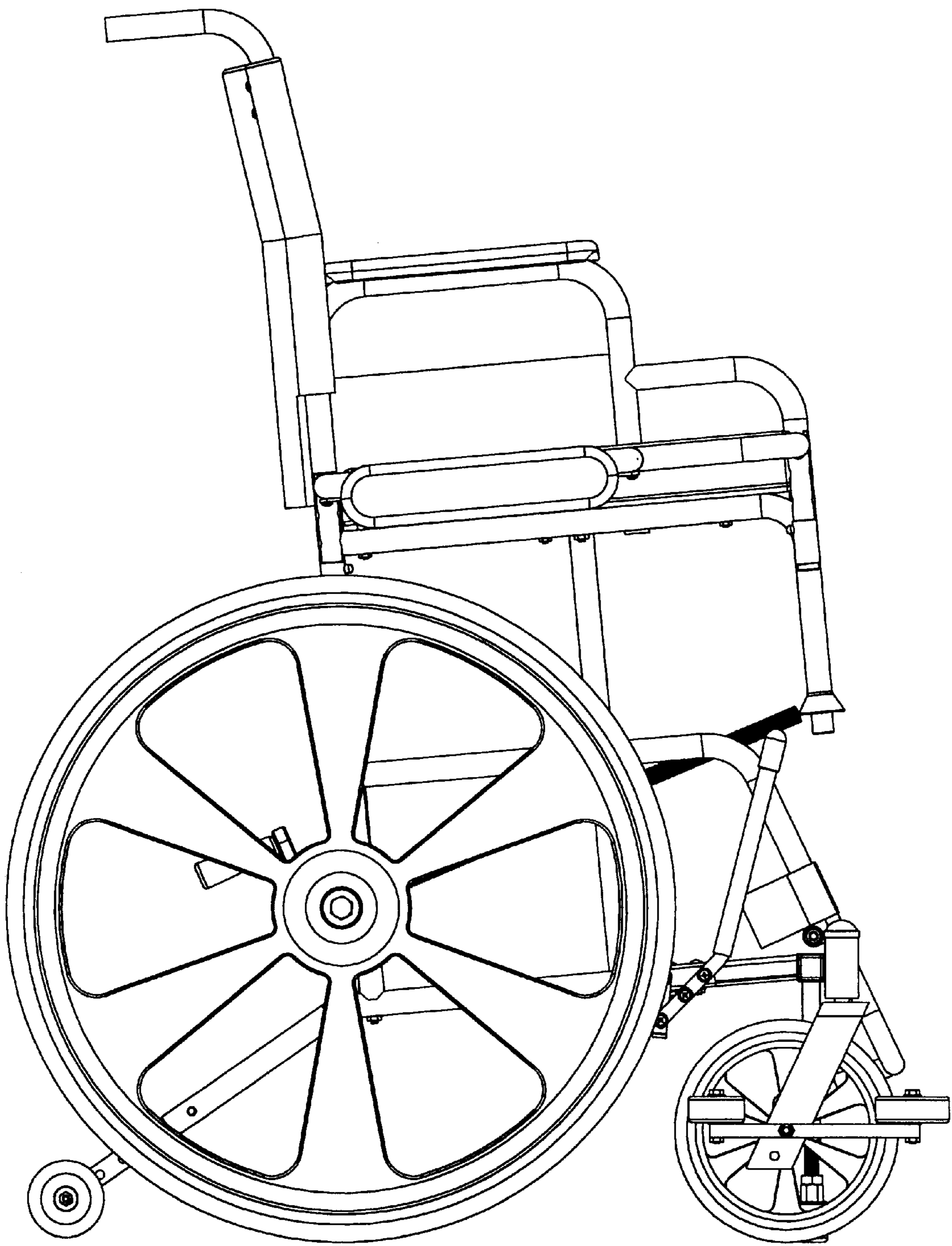


FIG. 12

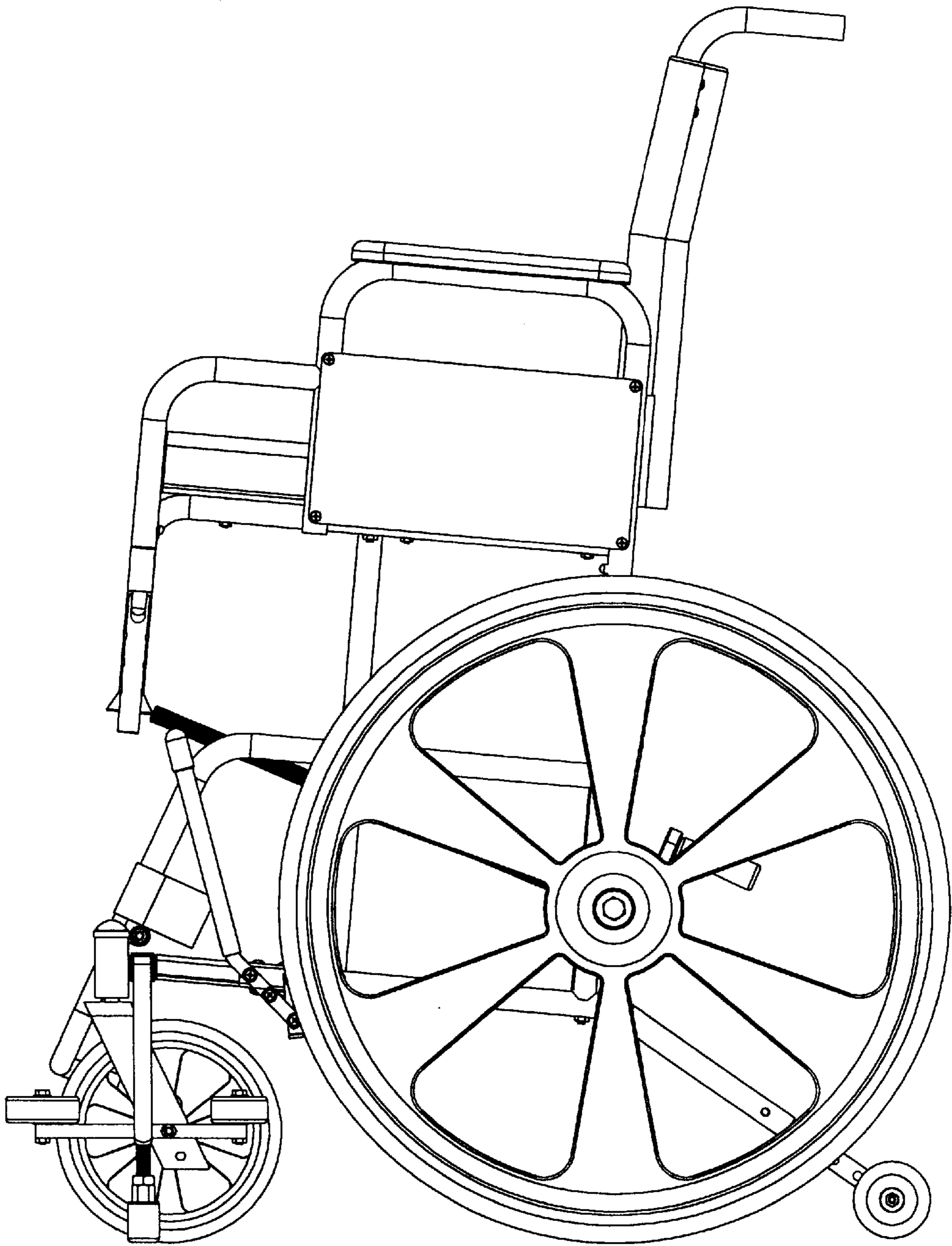


FIG. 13

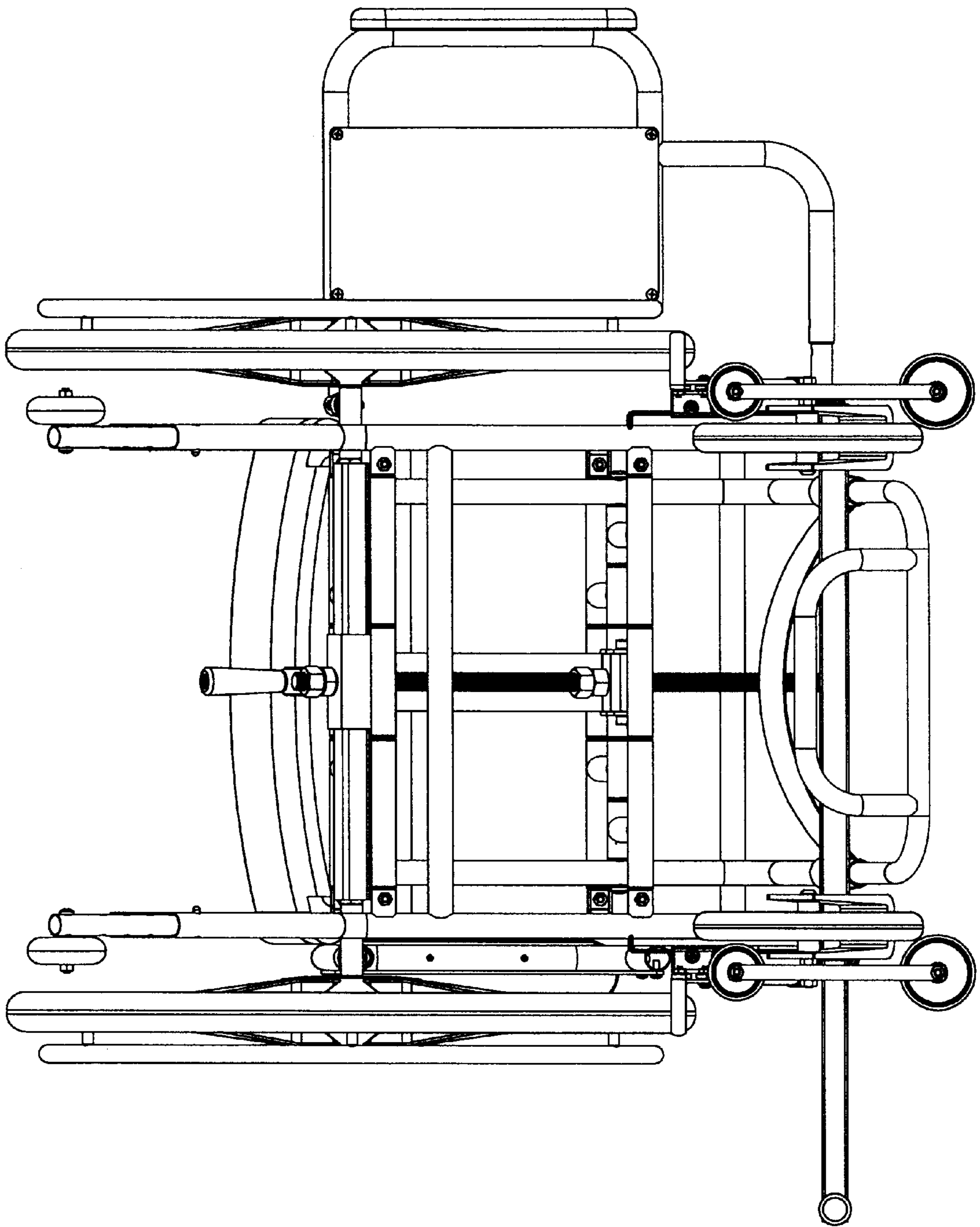


FIG. 14