



US00D431488S

United States Patent [19]
Jonasz

[11] **Patent Number: Des. 431,488**
[45] **Date of Patent: ** Oct. 3, 2000**

[54] **SPEED BUMP**

D. 415,974 11/1999 Arellano D10/113

[75] Inventor: **Slawomir Jonasz**, Brossard, Canada

Primary Examiner—Marcus A. Jackson
Attorney, Agent, or Firm—Swabey Ogilvy Renault

[73] Assignee: **GNR Technologies Inc.**, Lasalle,
Canada

[**] Term: **14 Years**

[57] **CLAIM**

[21] Appl. No.: **29/108,908**

The ornamental design for a speed bump, as shown and described.

[22] Filed: **Aug. 6, 1999**

DESCRIPTION

[30] **Foreign Application Priority Data**

Apr. 26, 1999 [CA] Canada 1999-1031

FIG. 1 is a perspective view of the speed bump;

[51] **LOC (7) Cl.** **10-05**

FIG. 2 is an end view of the speed bump;

[52] **U.S. Cl.** **D10/113**

FIG. 3 is a top view of the speed bump;

[58] **Field of Search** D10/109, 111,
D10/113, 114, 121; 404/6-16

FIG. 4 is a side view of the speed bump, with the opposite side being a mirror image; and,

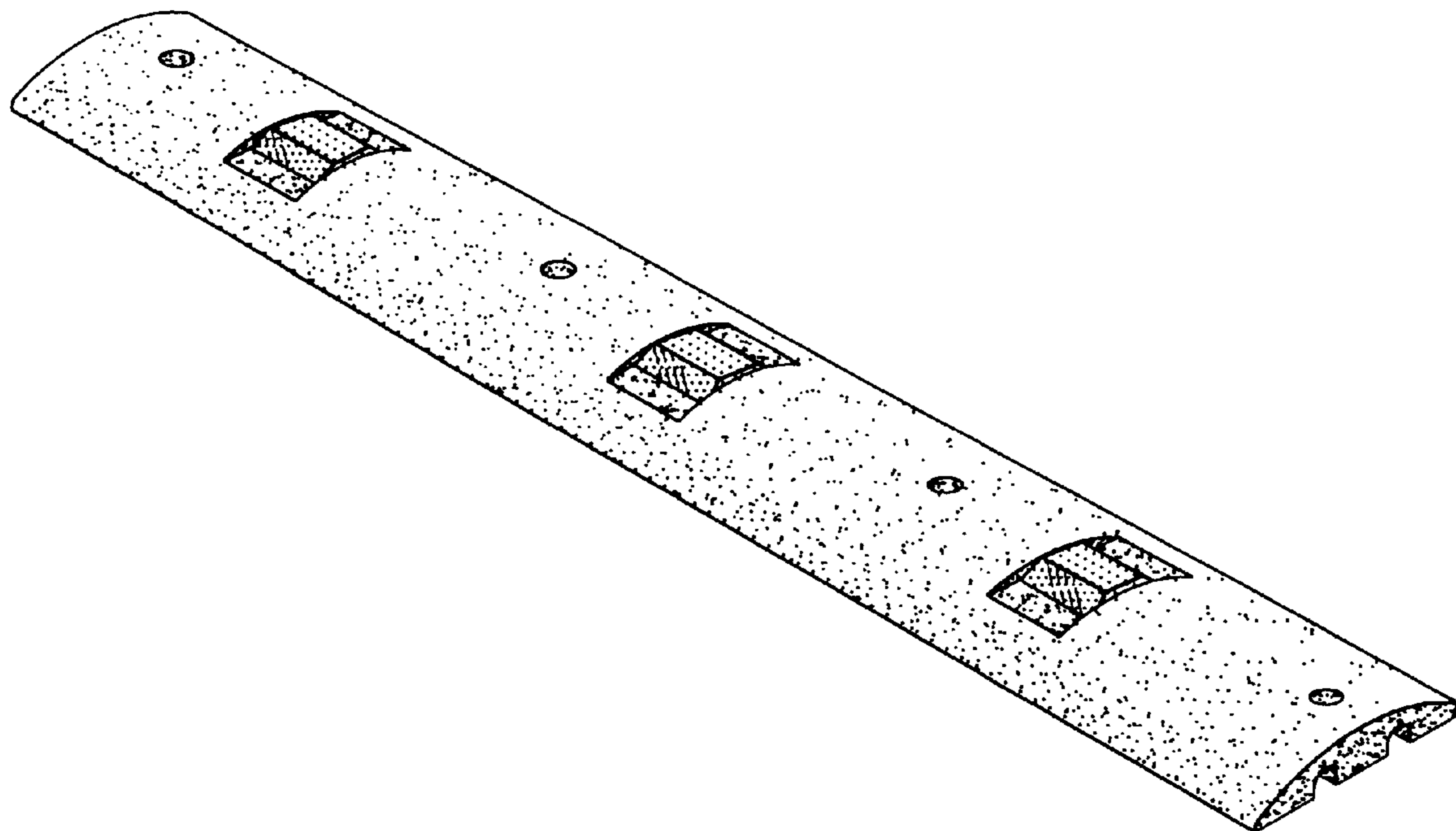
FIG. 5 is a bottom view of the speed bump.

[56] **References Cited**

U.S. PATENT DOCUMENTS

D. 348,230 6/1994 Shairba D10/113

1 Claim, 1 Drawing Sheet



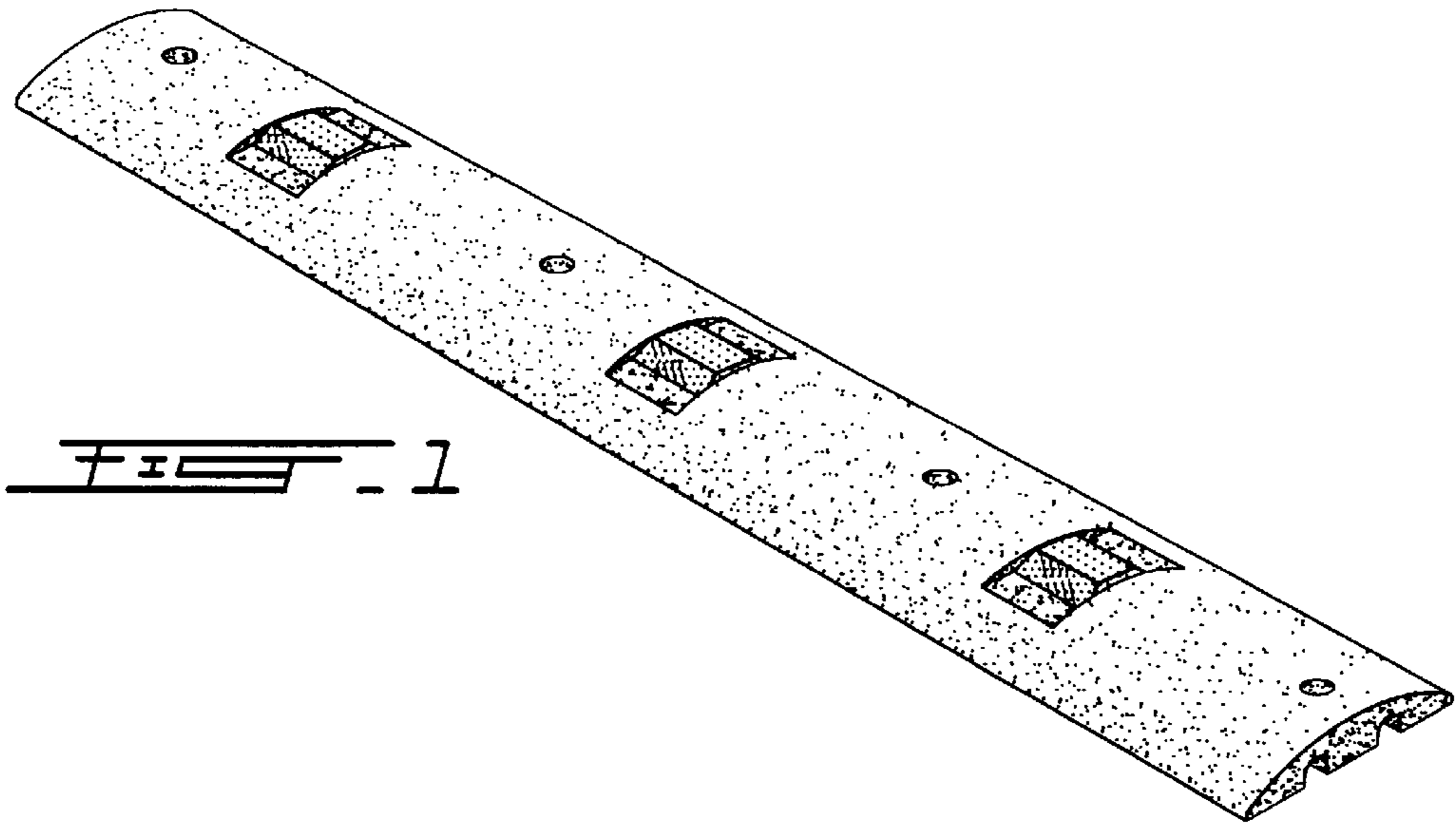


FIG. 1



FIG. 2

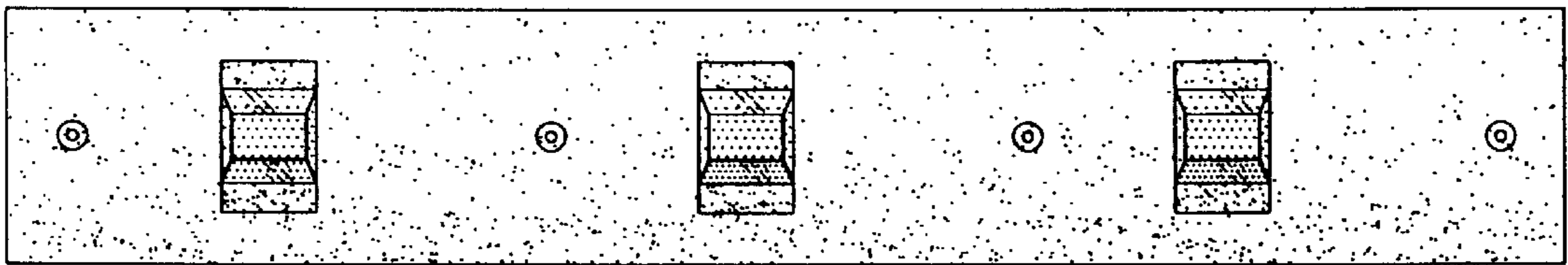


FIG. 3



FIG. 4

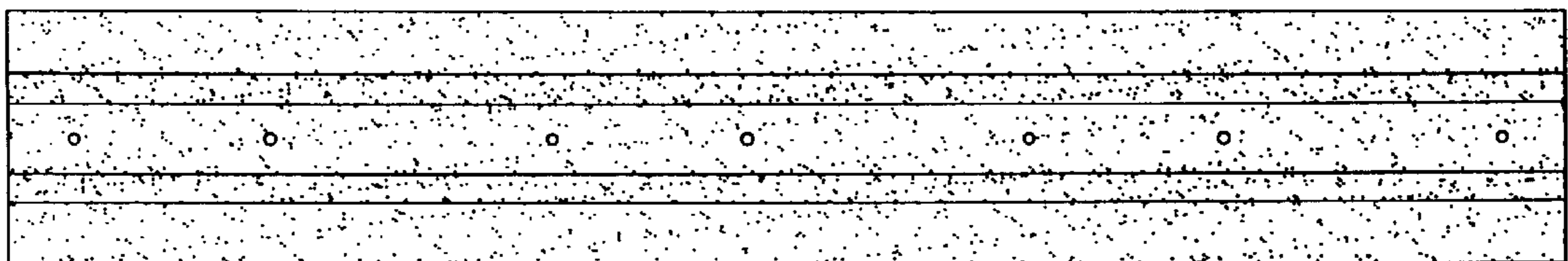


FIG. 5