



US00D431485S

# United States Patent [19] Huang

[11] **Patent Number: Des. 431,485**

[45] **Date of Patent: \*\* Oct. 3, 2000**

[54] **NETWORK WITH TESTER**

D. 376,329 12/1996 Youabian ..... D10/104

[76] Inventor: **Hobbes Huang**, 3F, No. 4, Lane 40,  
Bor Jyue St., His Chin Jen, Taipei  
Hsien, Taiwan

*Primary Examiner*—Marcus A. Jackson  
*Attorney, Agent, or Firm*—Rosenberg, Klein & Lee

[\*\*] Term: **14 Years**

[57] **CLAIM**

The ornamental design for a a network with tester, as shown and described.

[21] Appl. No.: **29/107,366**

[22] Filed: **Jul. 7, 1999**

**DESCRIPTION**

[51] **LOC (7) Cl.** ..... **10-05**

[52] **U.S. Cl.** ..... **D10/104**

[58] **Field of Search** ..... D10/104, 106,  
D10/116, 121; 340/321, 540, 565, 566,  
571, 572, 573

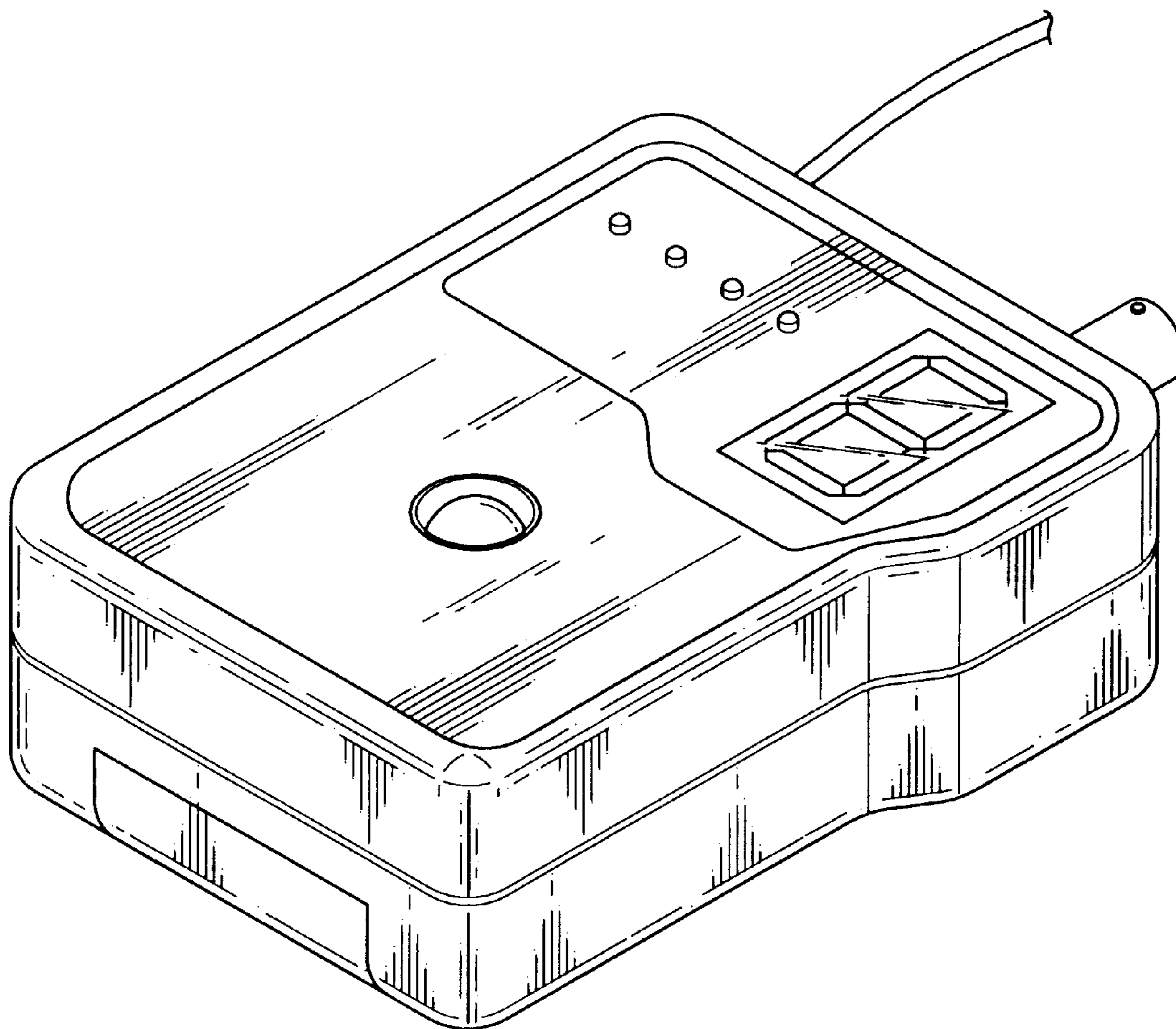
FIG. 1 is the perspective view of a a network with tester showing my new design;  
FIG. 2 is the front view thereof;  
FIG. 3 is the rear view thereof;  
FIG. 4 is the left side view thereof;  
FIG. 5 is the right side view thereof;  
FIG. 6 is the top view thereof; and  
FIG. 7 is the bottom view thereof; and,  
FIG. 8 is another side view thereof.

[56] **References Cited**

**U.S. PATENT DOCUMENTS**

- D. 316,054 4/1991 Jammarion ..... D10/104
- D. 347,594 6/1994 Davis et al. .... D10/104

**1 Claim, 8 Drawing Sheets**



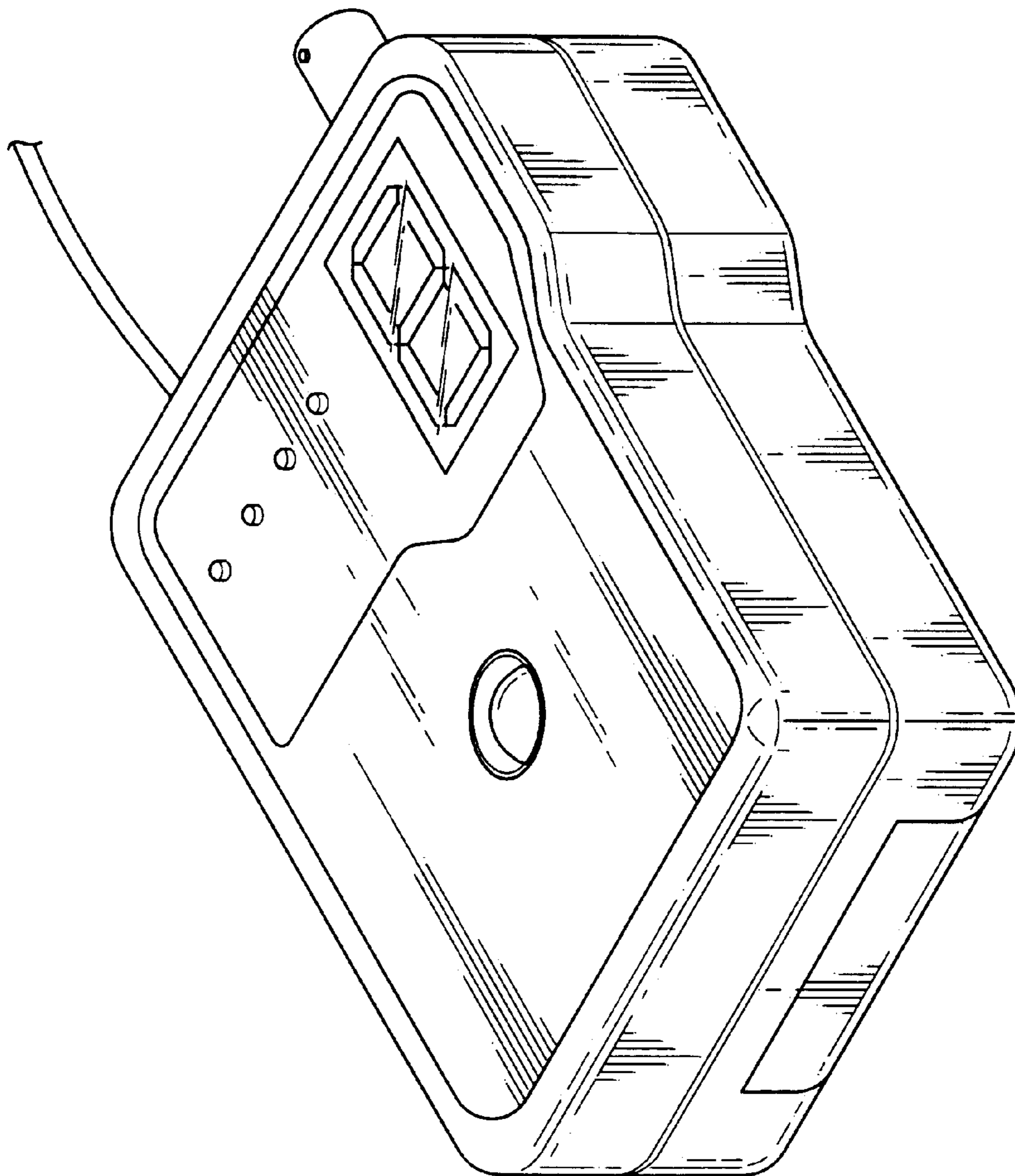


FIG. 1

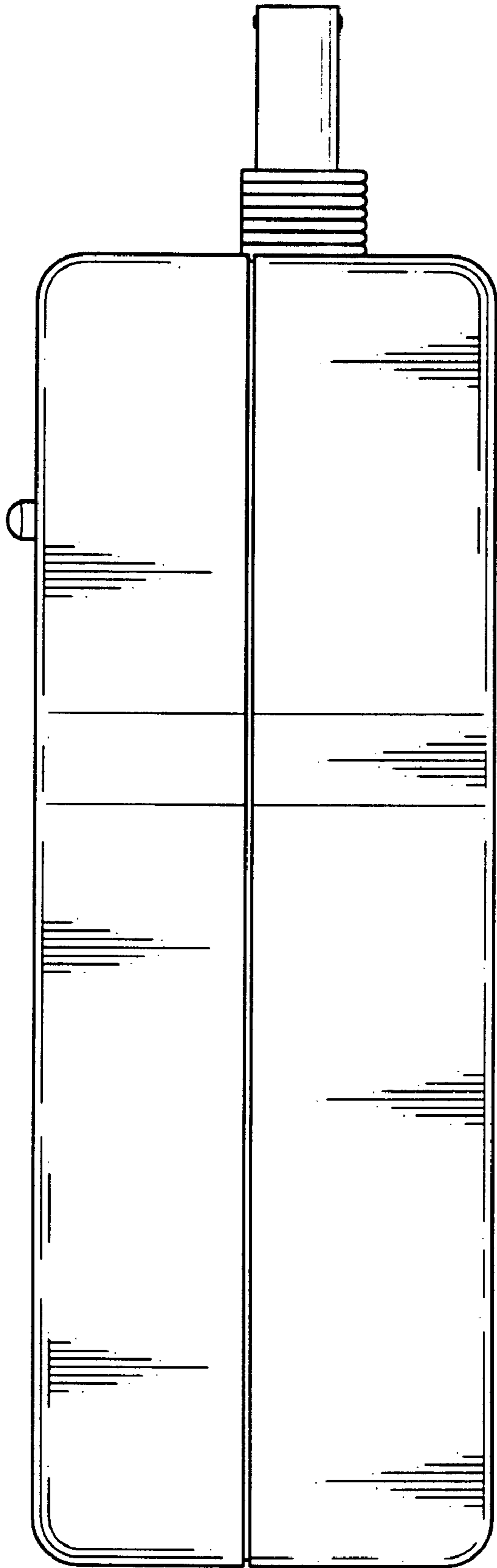
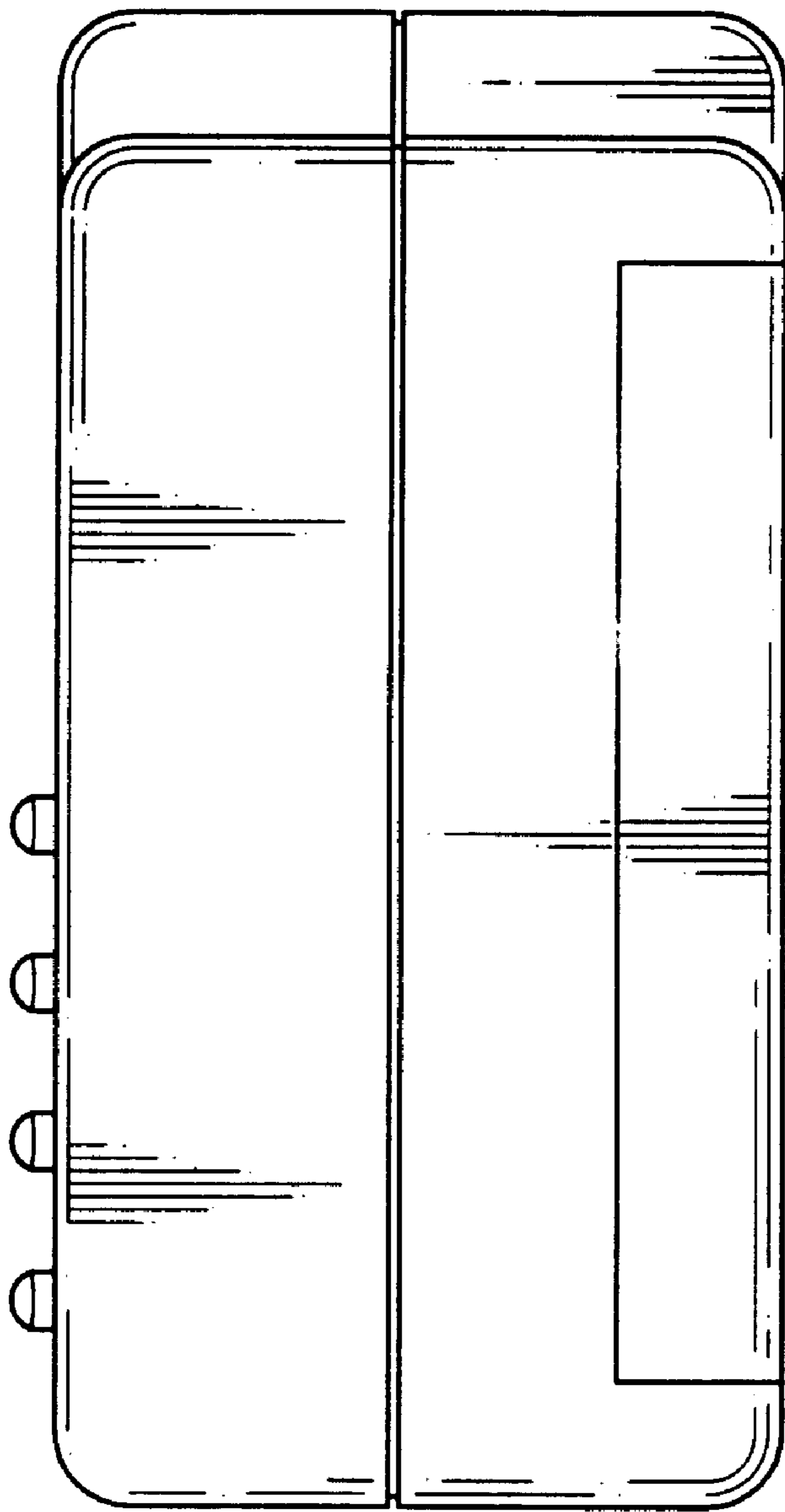


FIG. 2



*FIG. 3*

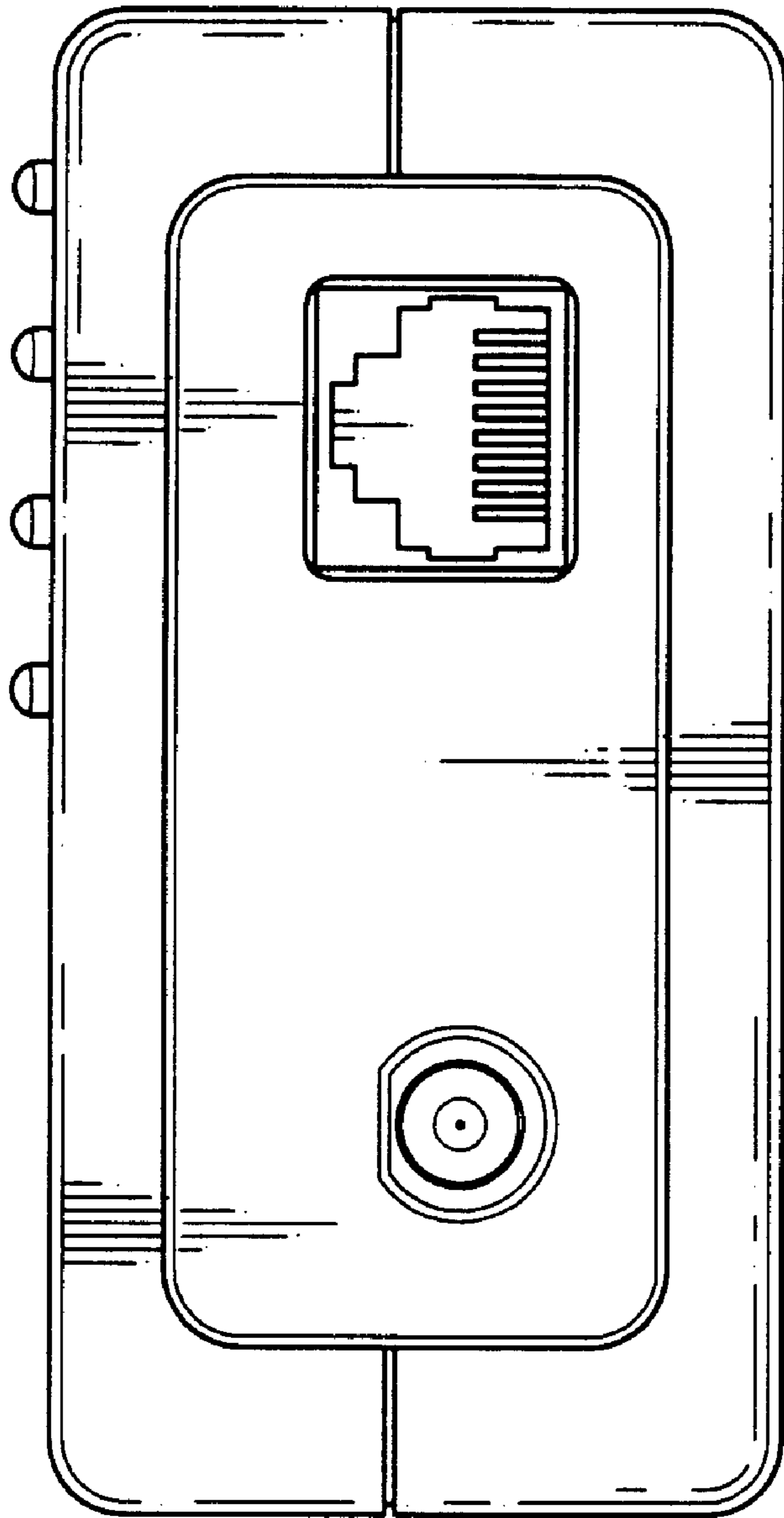


FIG. 4

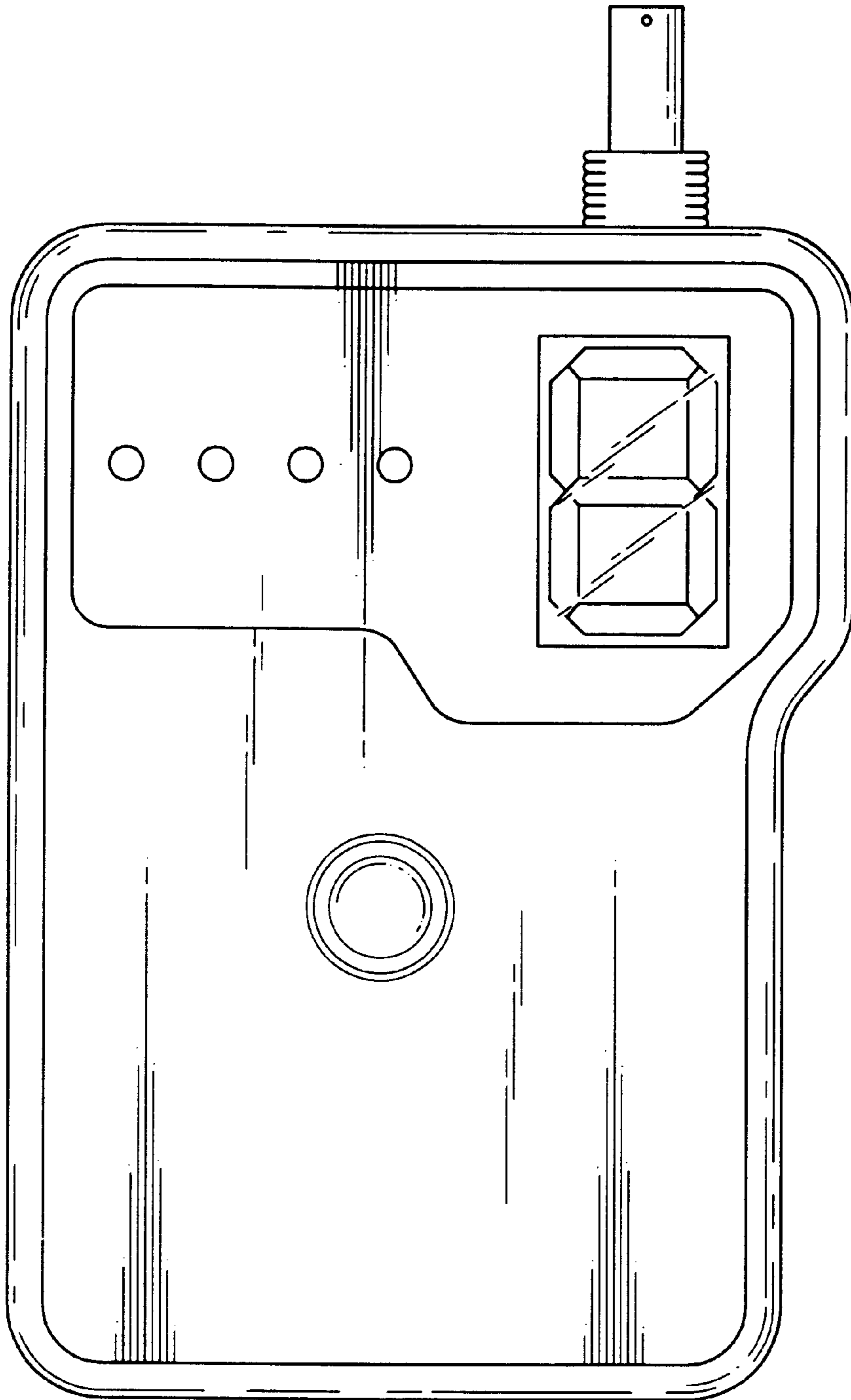


FIG. 5

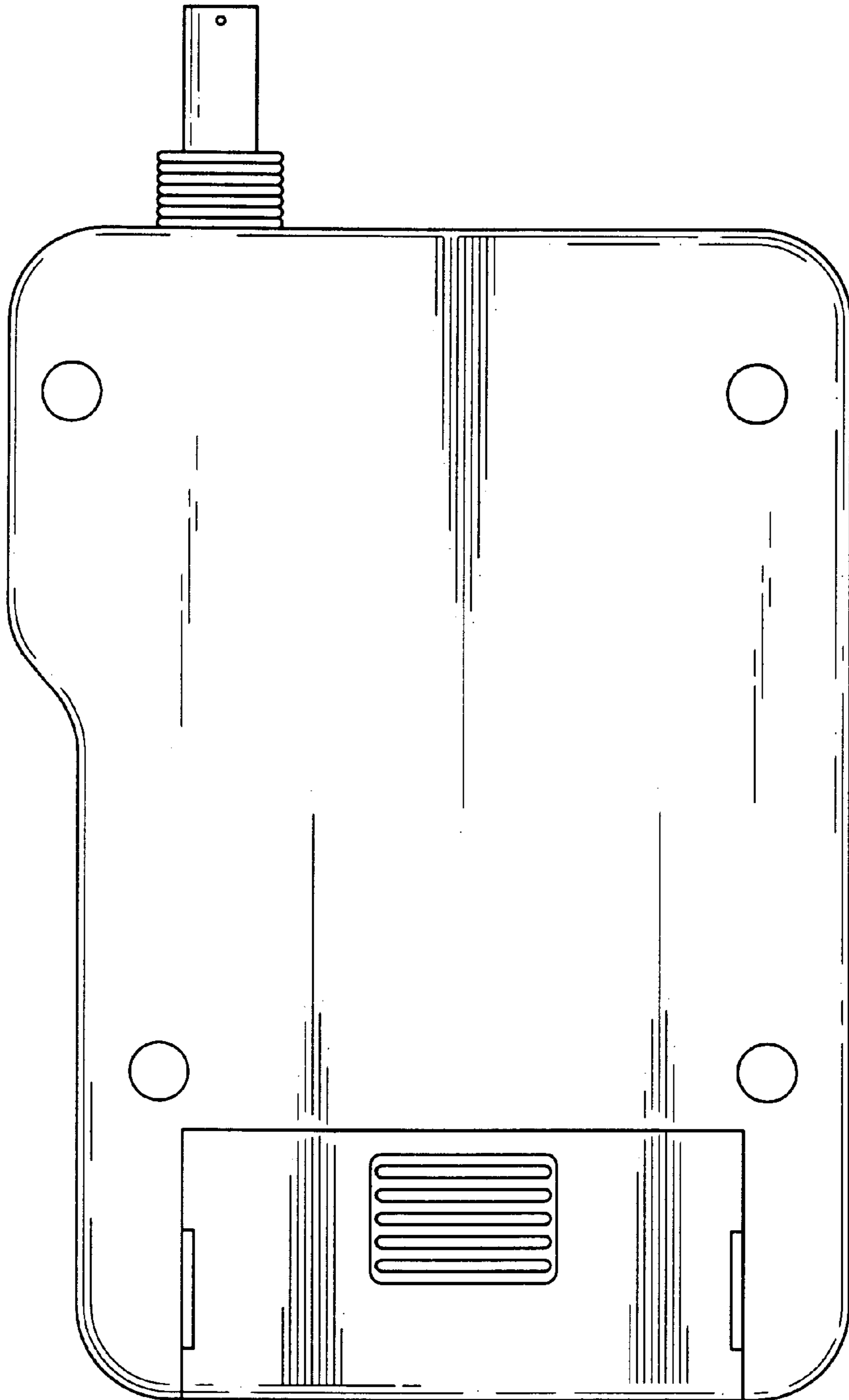


FIG. 6

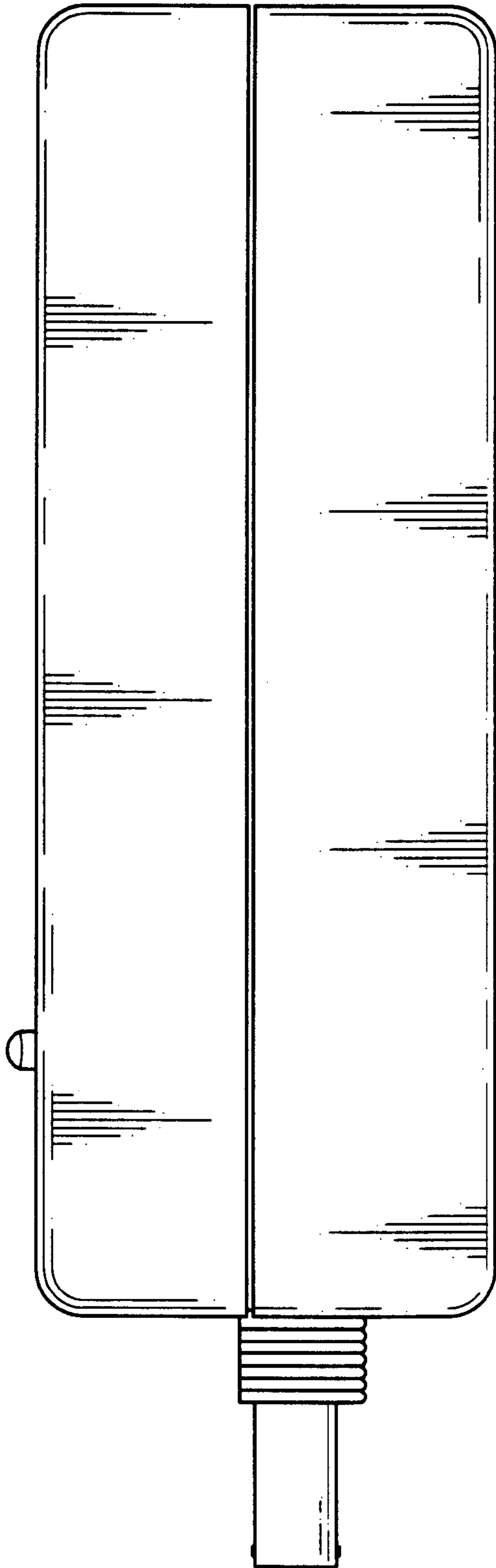


FIG. 7



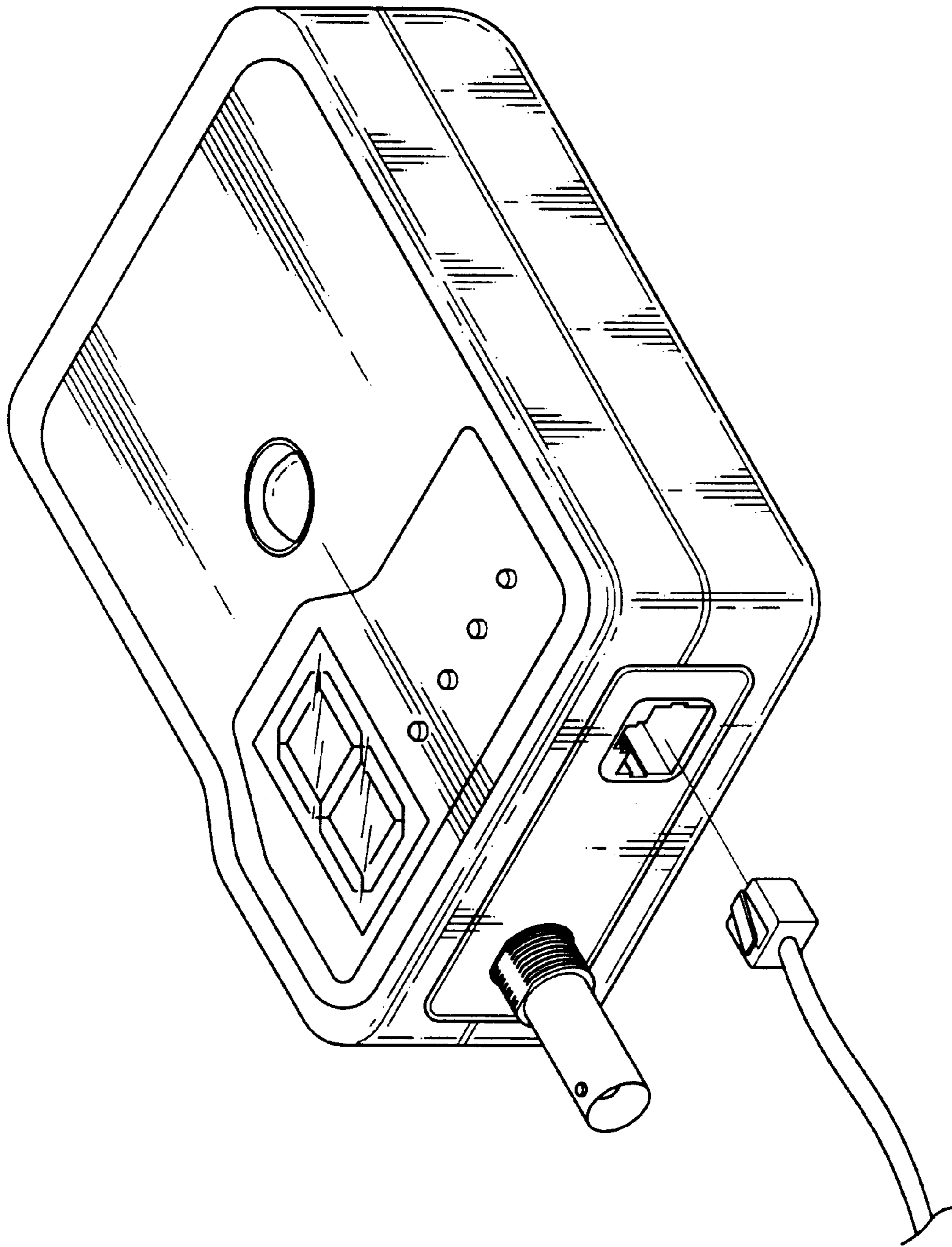


FIG. 8