



US00D431482S

# United States Patent [19] Marmier

[11] **Patent Number: Des. 431,482**  
[45] **Date of Patent: \*\* Oct. 3, 2000**

[54] **TERMINAL FOR WEIGHING APPARATUS**

D. 415,972 6/1998 Sato et al. .... D10/94 X

[75] Inventor: **Yves Marmier**, La Chaux-de-Fonds, Switzerland

*Primary Examiner*—Antoine Duval Davis  
*Attorney, Agent, or Firm*—Laubscher & Laubscher

[73] Assignee: **Mettler-Tolodo GmbH**, Greifensee, Switzerland

[57] **CLAIM**

[\*\*] Term: **14 Years**

The ornamental design for a terminal for weighing apparatus, as shown.

[21] Appl. No.: **29/112,804**

**DESCRIPTION**

[22] Filed: **Oct. 25, 1999**

FIG. 1 is a front perspective view of the terminal for weighing apparatus;

[30] **Foreign Application Priority Data**

FIG. 2 is a top plan view of the terminal of FIG. 1;

Apr. 26, 1999 [XH] Hague Agreement ... DMA 137061801

FIG. 3 is a front elevational view of the terminal of FIG. 1;

[51] **LOC (7) Cl.** ..... **10-04**

FIG. 4 is a left hand elevational view of the terminal of FIG. 1;

[52] **U.S. Cl.** ..... **D10/94**

FIG. 5 is a right hand elevational view of the terminal of FIG. 1;

[58] **Field of Search** ..... D10/93, 94; 116/DIG. 32; 177/236-241, 25.13-25.8; 340/870.02, 870.03, 870.06, 870.11, 870.12, 870.13-870.15; 364/464.02, 567

FIG. 6 is a rear view of the terminal of FIG. 1;

[56] **References Cited**

FIG. 7 is a bottom view of the terminal of FIG. 1; and,

**U.S. PATENT DOCUMENTS**

FIG. 8 is a top plan view of the terminal for weighing apparatus, with the viewing screen in use.

D. 395,020 6/1998 Reichow et al. .... D10/94

**1 Claim, 7 Drawing Sheets**

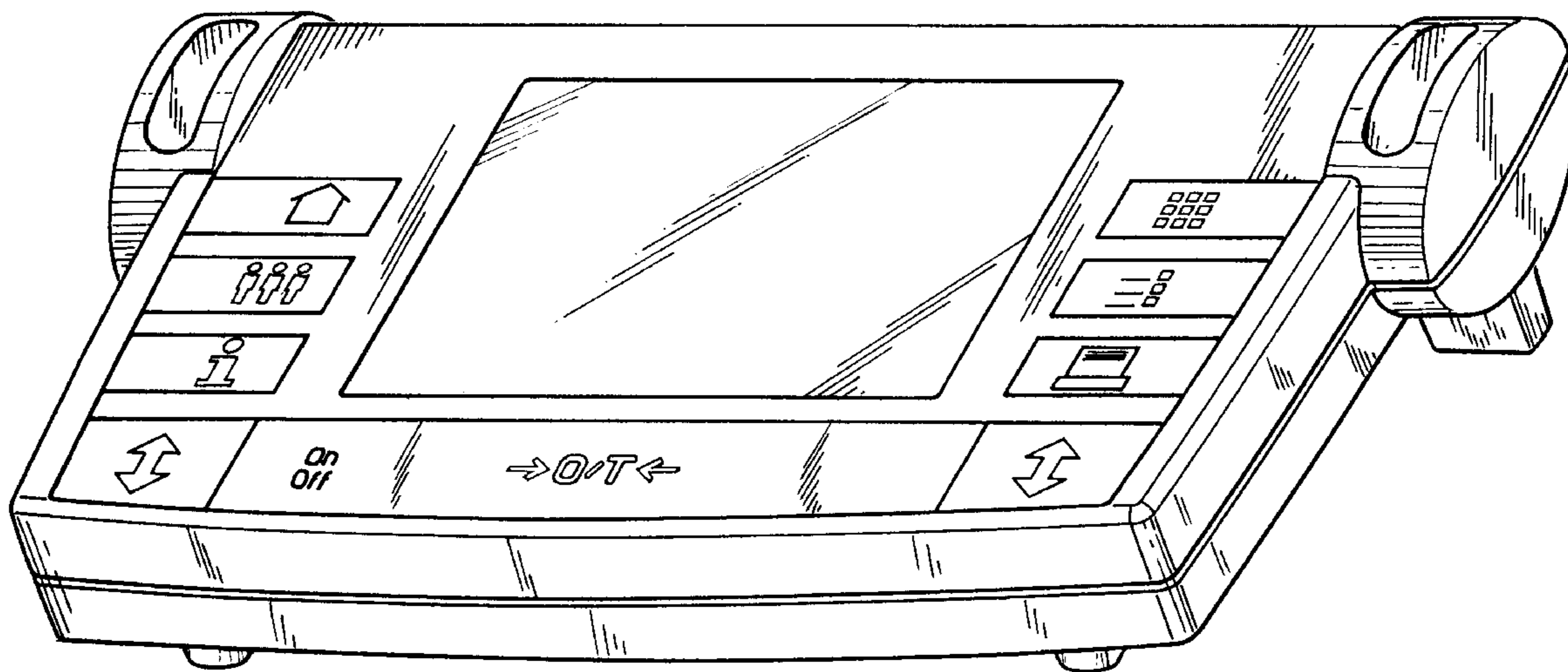




FIG. 1

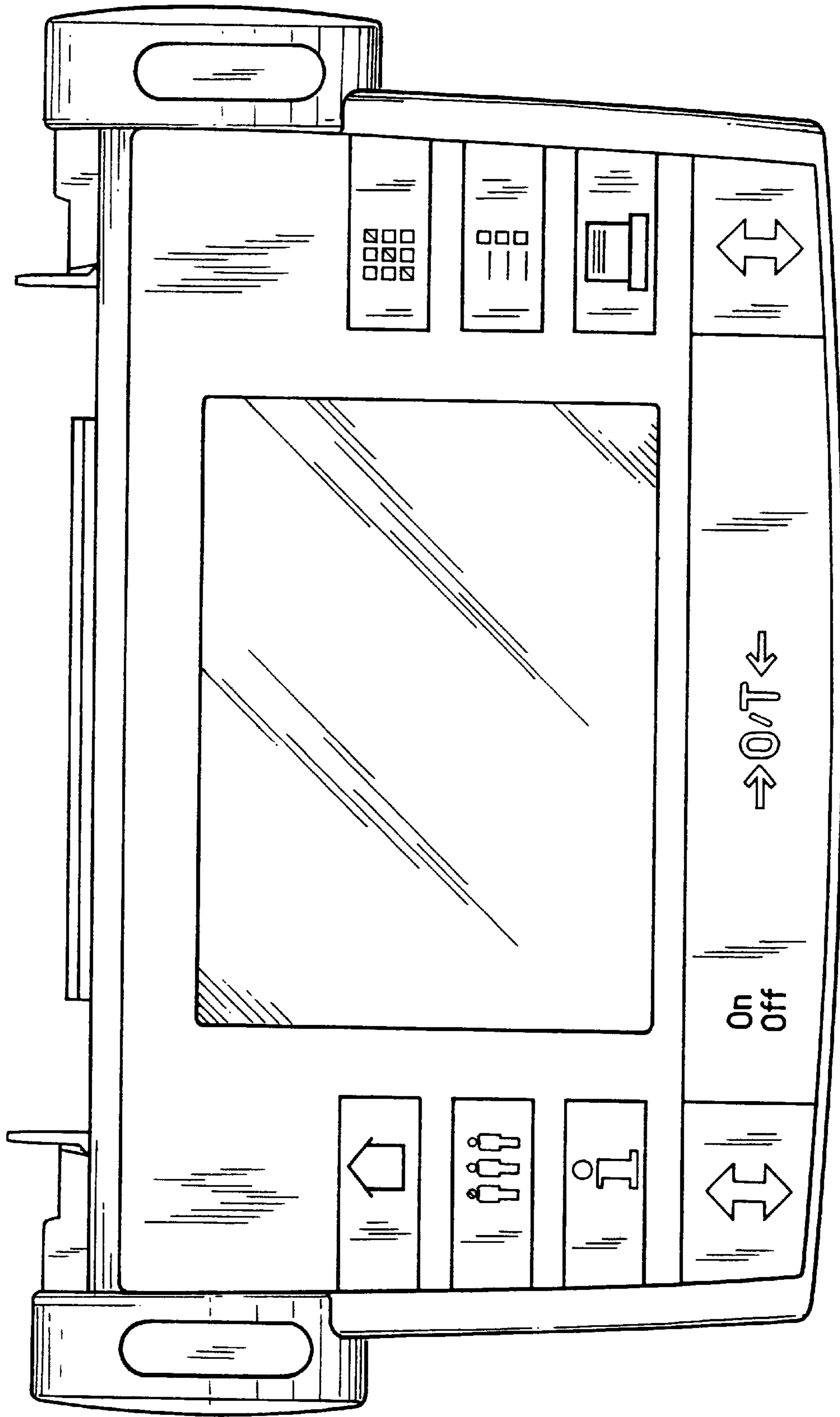


FIG. 2

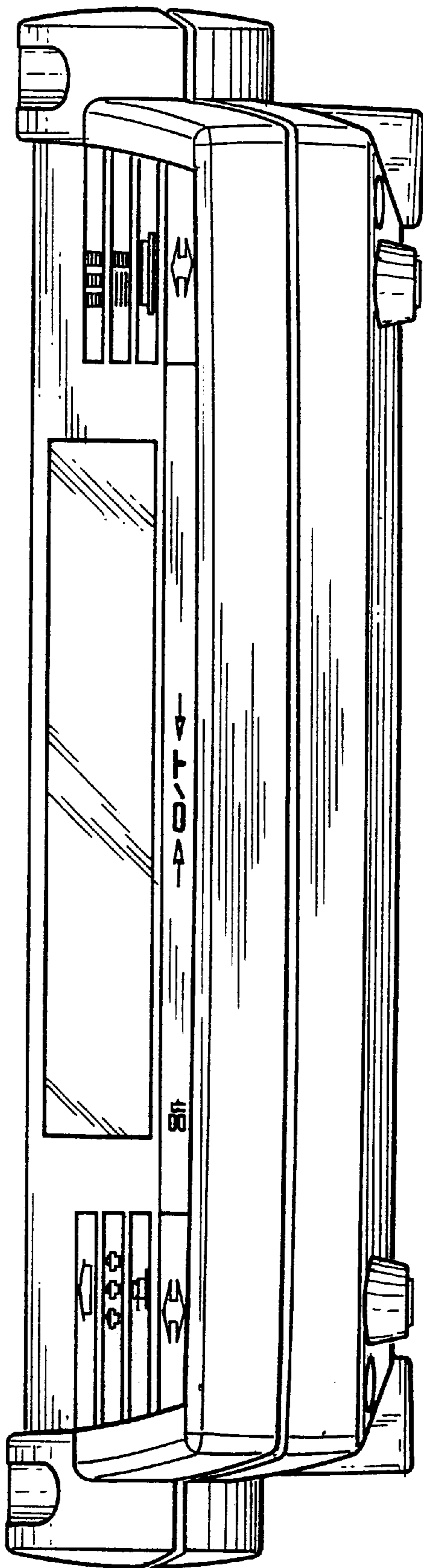


FIG. 3

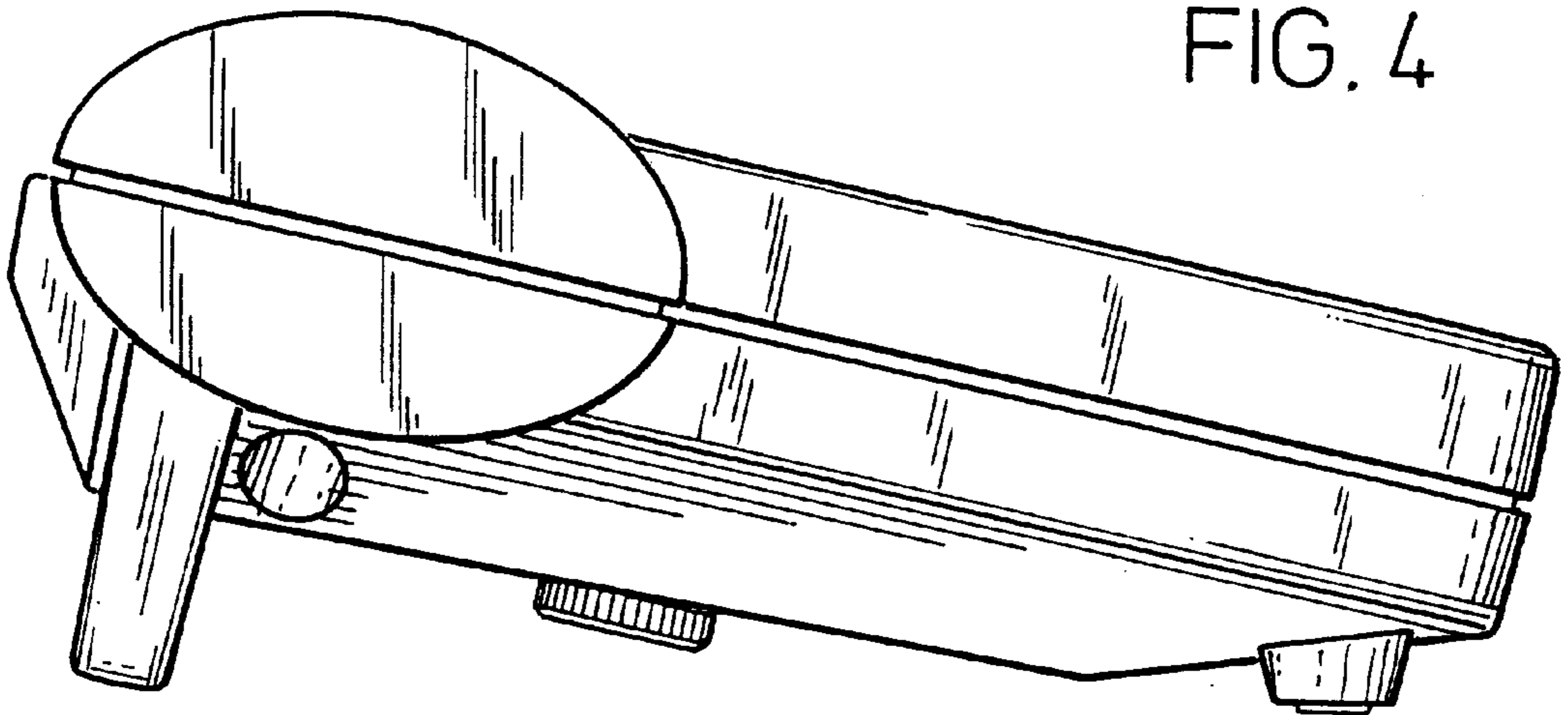
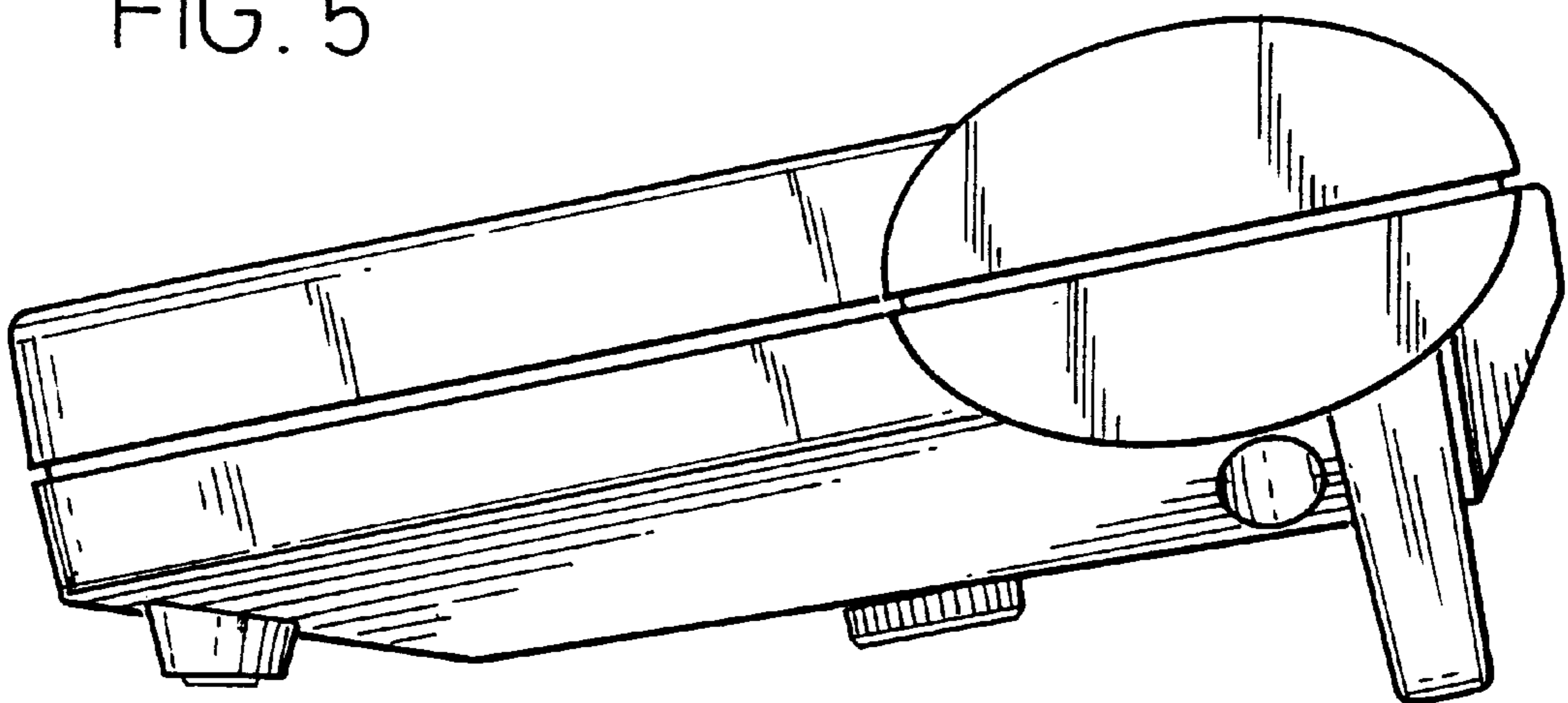


FIG. 5



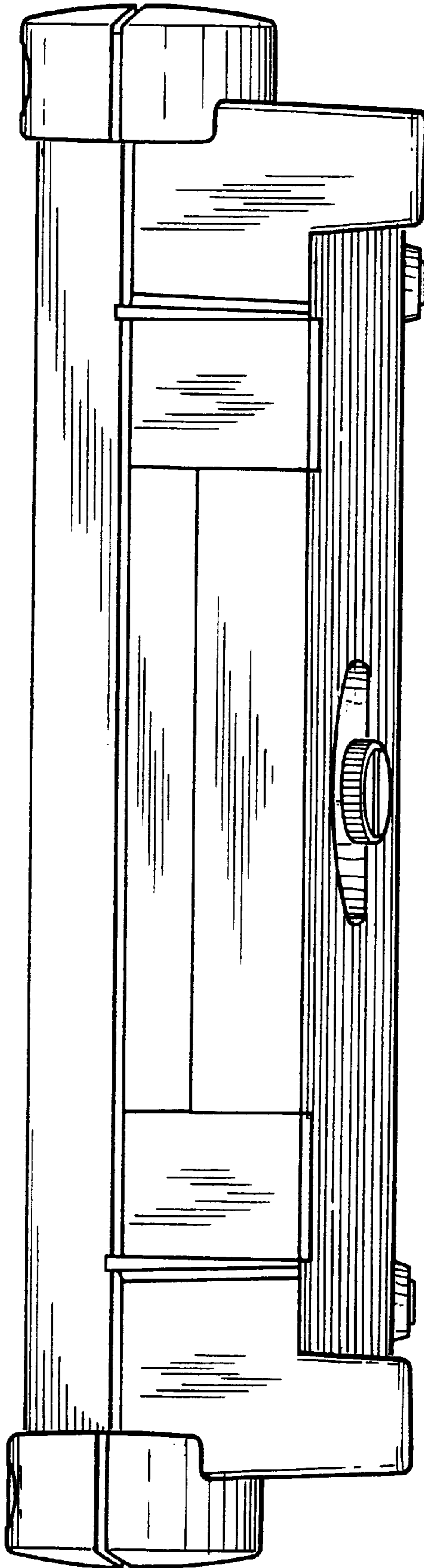


FIG. 6

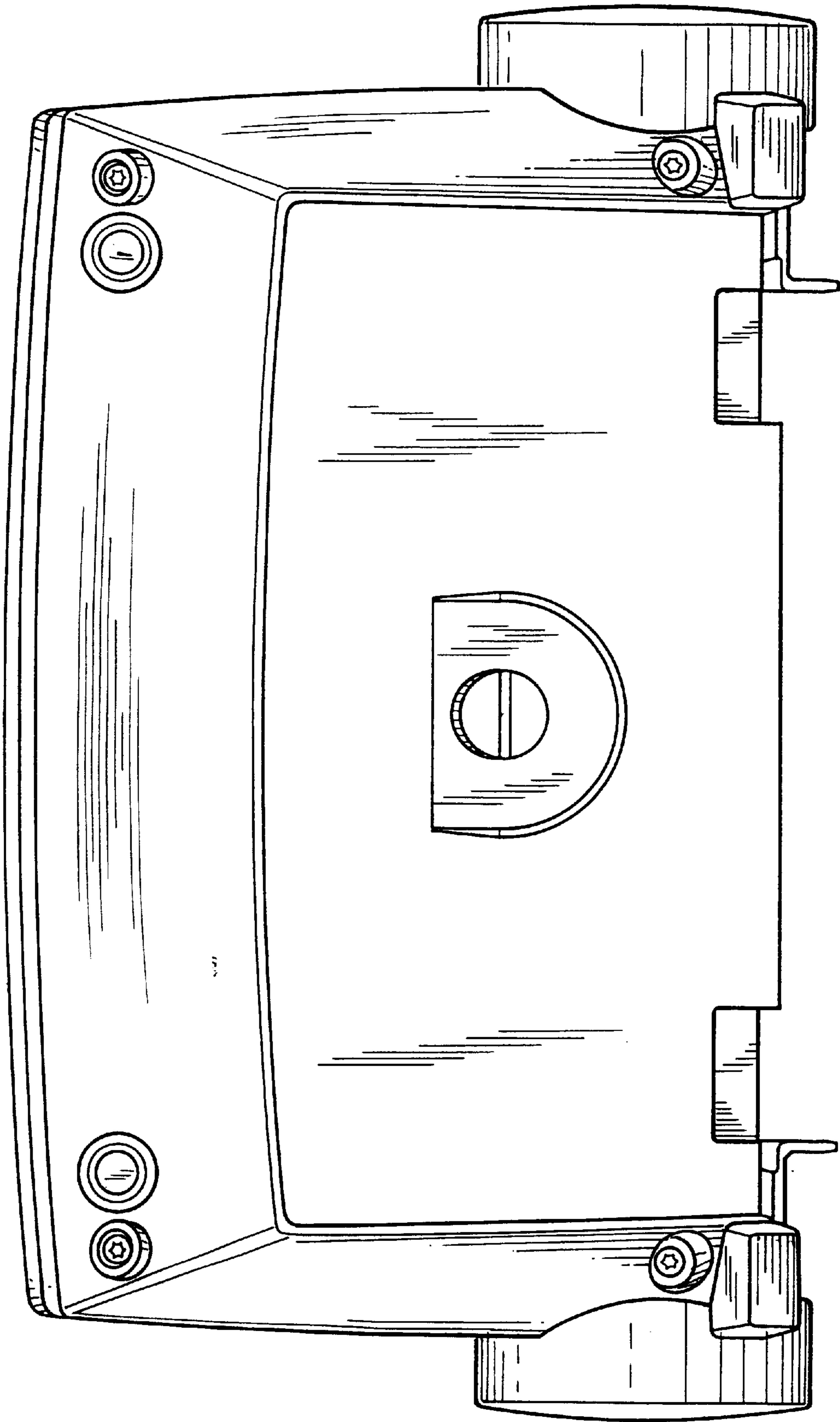


FIG. 7

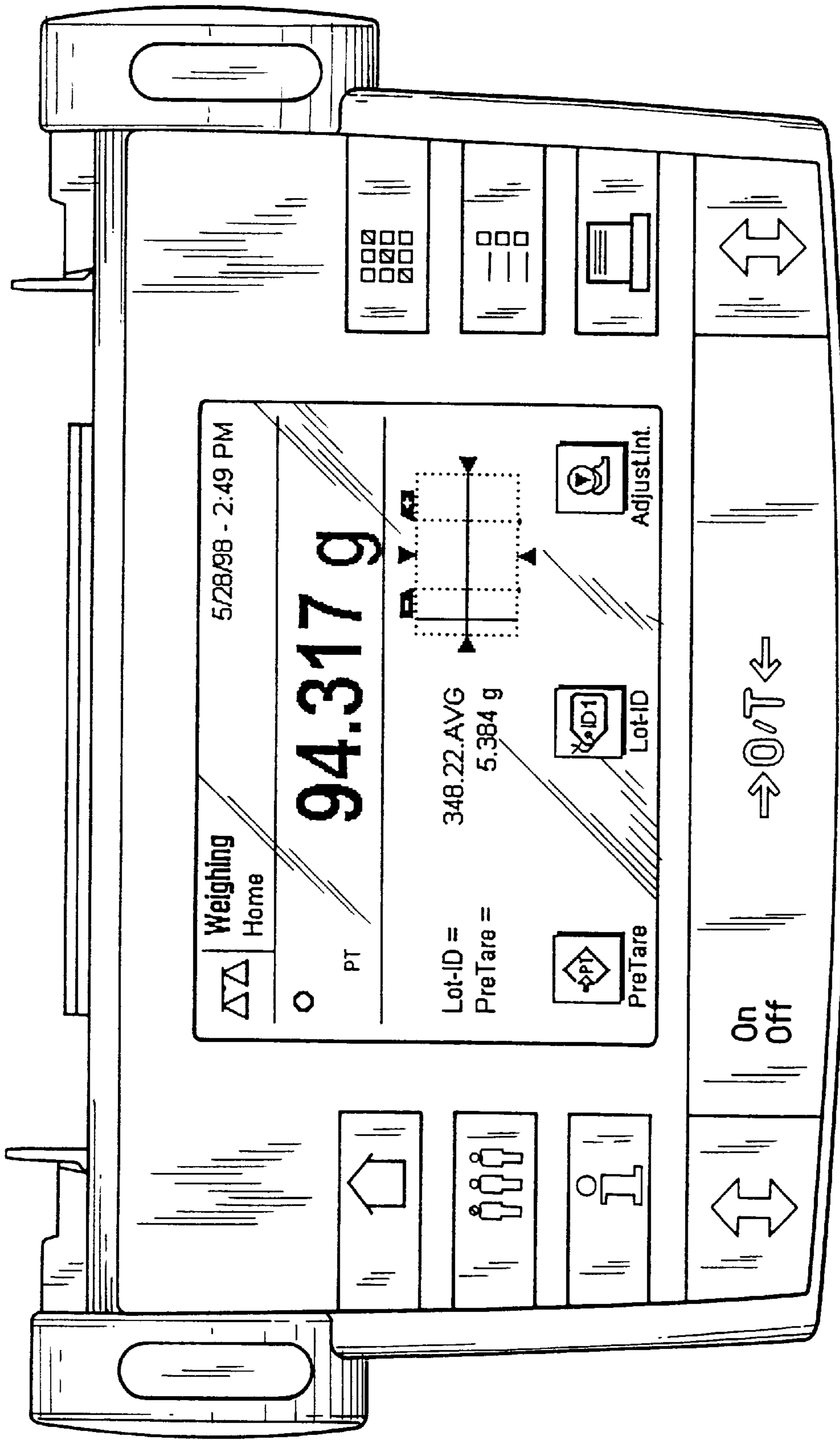


FIG. 8