



US00D431477S

United States Patent [19] Stekelenburg

[11] Patent Number: **Des. 431,477**

[45] Date of Patent: **** Oct. 3, 2000**

[54] **OUTDOOR DUPLEX SOCKET WITH TIMER**

[75] Inventor: **Albert Stekelenburg**, Taipei, Taiwan

[73] Assignee: **All-Line Inc.**, Taipei, Taiwan

[**] Term: **14 Years**

[21] Appl. No.: **29/114,158**

[22] Filed: **Nov. 19, 1999**

[51] **LOC (7) Cl.** **10-03**

[52] **U.S. Cl.** **D10/40; D10/2; D13/139.4**

[58] **Field of Search** D10/1-40, 122-132;
D13/139.1, 139.4; 368/96-100, 107-121,
276-277, 285, 316, 317; 439/142, 519,
654

[56] **References Cited**

U.S. PATENT DOCUMENTS

D. 322,425	12/1991	Simonson et al.	D13/152
D. 358,606	5/1995	Davis et al.	D19/36
D. 396,121	7/1998	West	D26/67
D. 414,579	9/1999	Denison et al.	D26/68

D. 417,519	12/1999	Cutler	D26/63
2,721,983	10/1955	Blinn	439/142
4,237,342	12/1980	Eller et al.	439/142
4,712,861	12/1987	Lukas et al.	385/58
5,662,236	9/1997	Sato	220/324

Primary Examiner—Nelson C. Holtje
Attorney, Agent, or Firm—Dougherty & Troxell

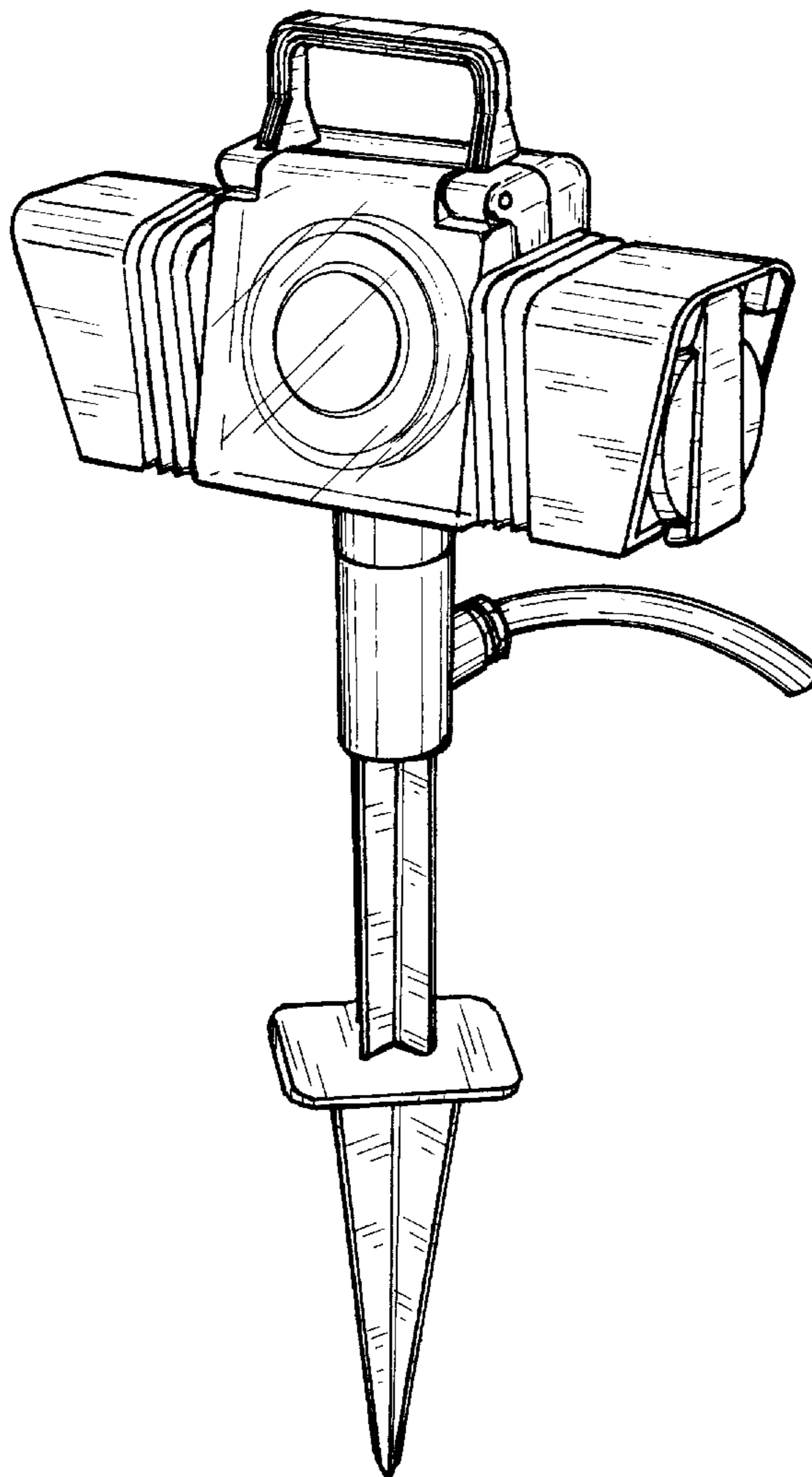
[57] **CLAIM**

The ornamental design for an outdoor duplex socket with timer, as shown and described.

DESCRIPTION

FIG. 1 is a top view of an outdoor duplex socket with timer showing my new design;
FIG. 2 is a front view thereof;
FIG. 3 is a right side elevational view thereof;
FIG. 4 is a left side elevational view thereof;
FIG. 5 is a rear elevational view thereof;
FIG. 6 is a bottom view thereof;
FIG. 7 is a front view with the cover removed thereof; and,
FIG. 8 is a perspective view thereof.

1 Claim, 4 Drawing Sheets



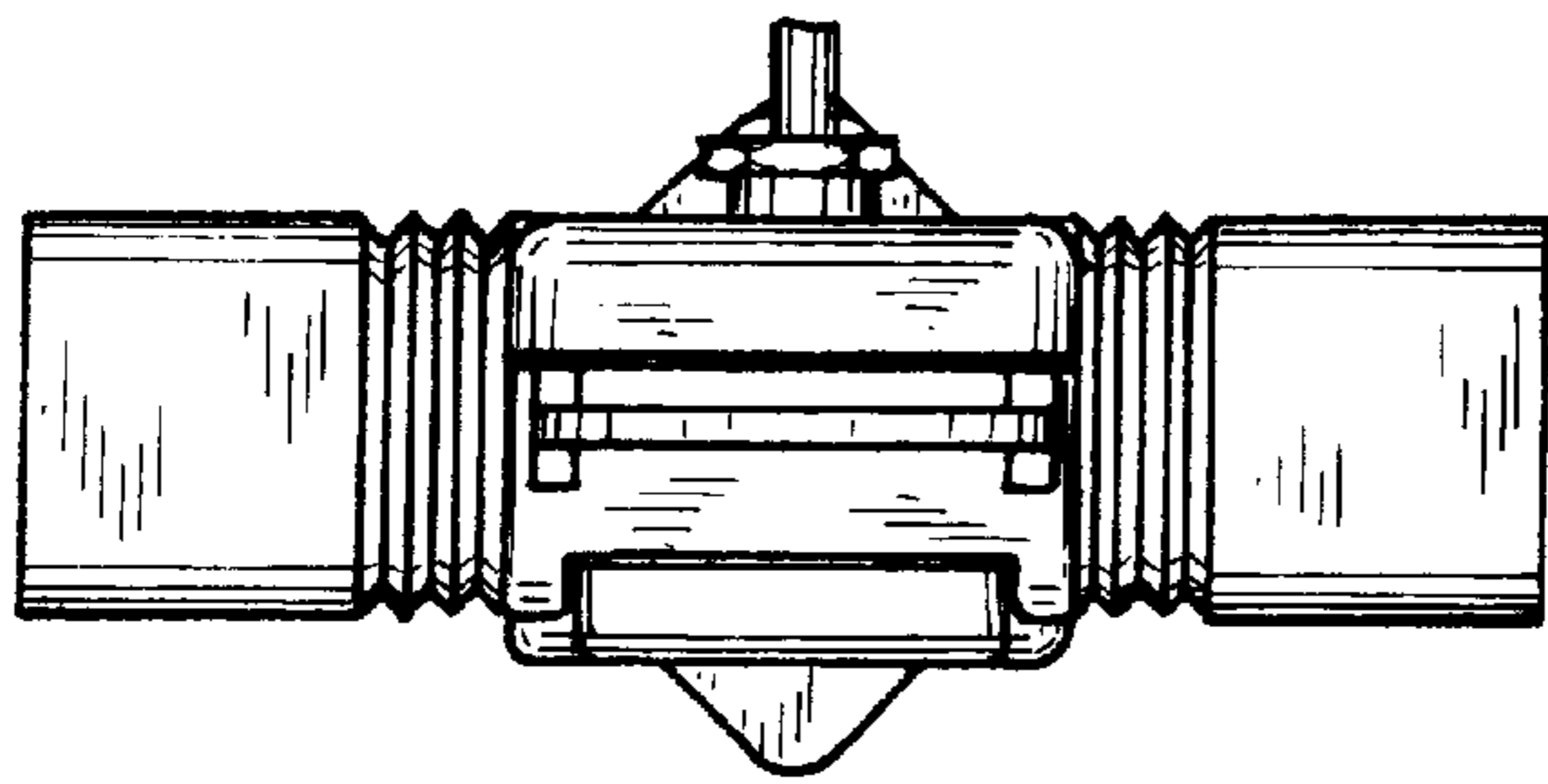


FIG. 1

FIG. 2

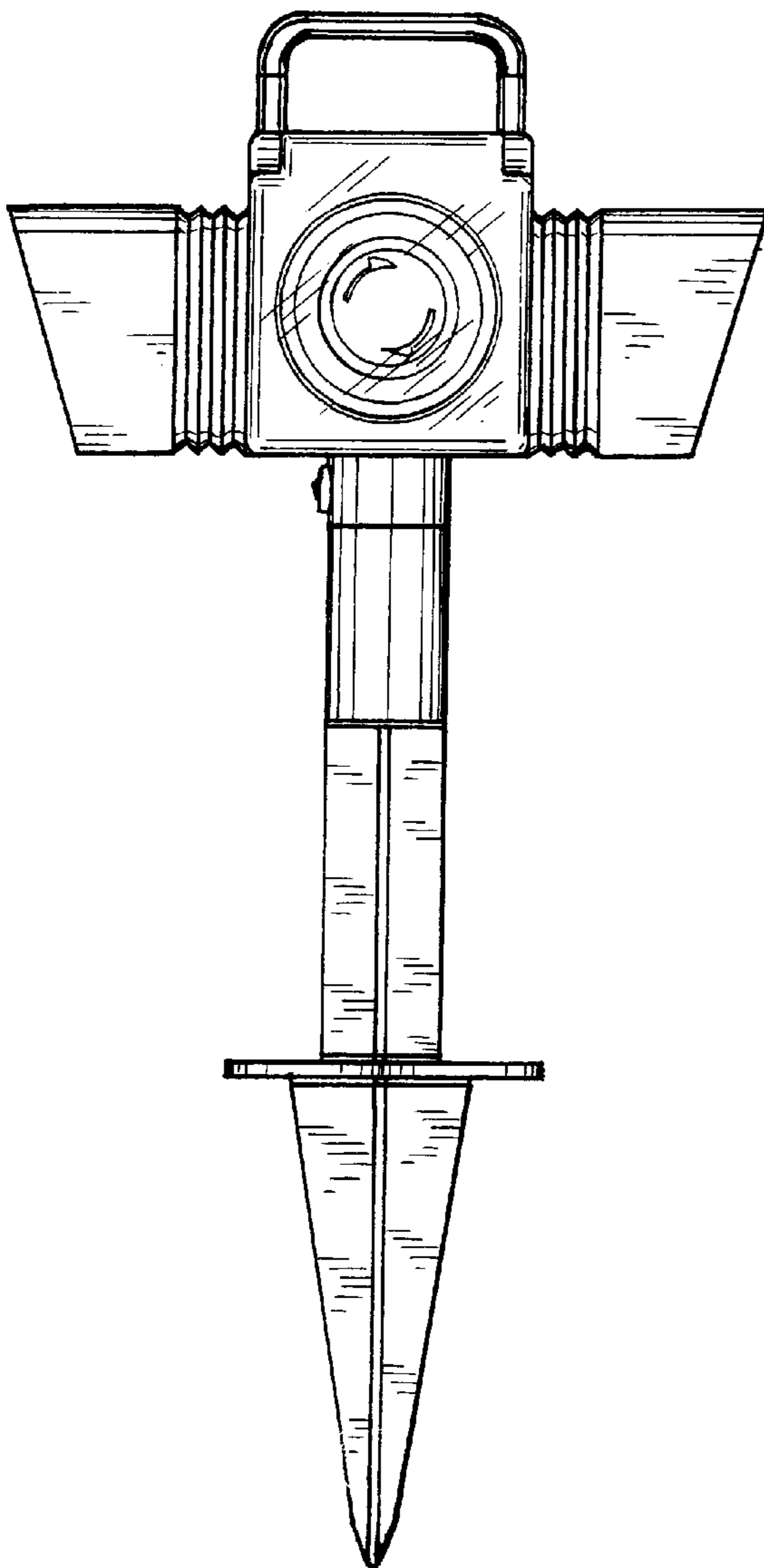
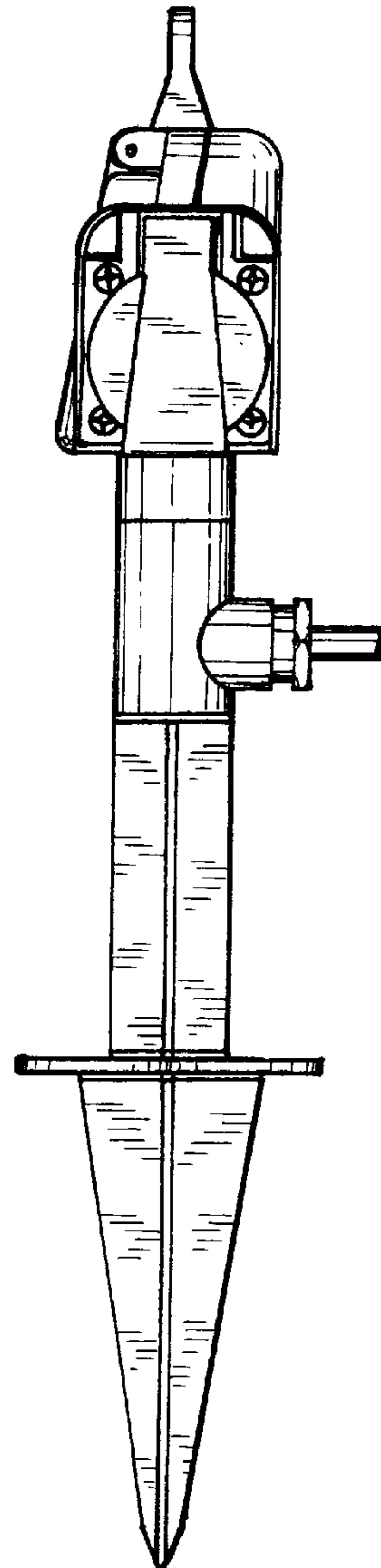


FIG. 3



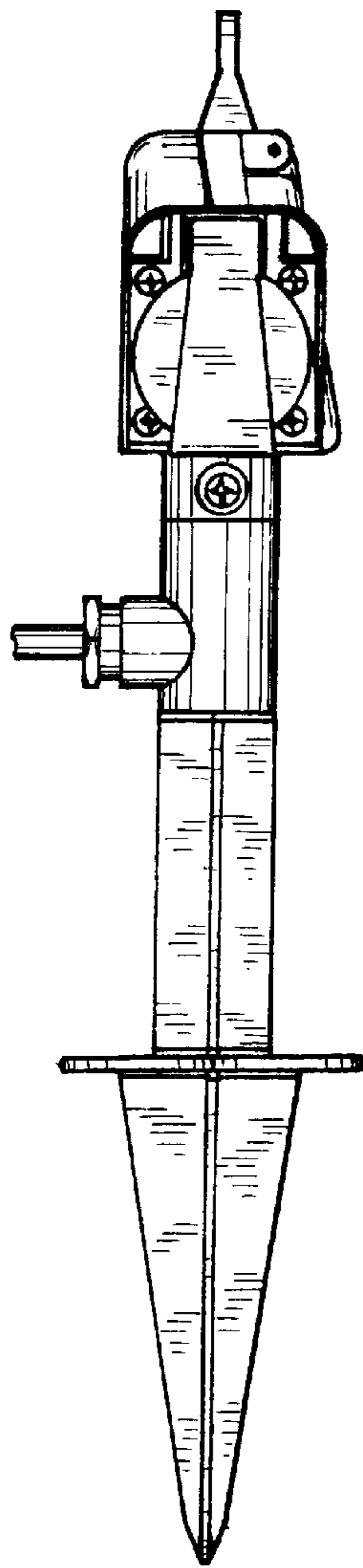


FIG. 4

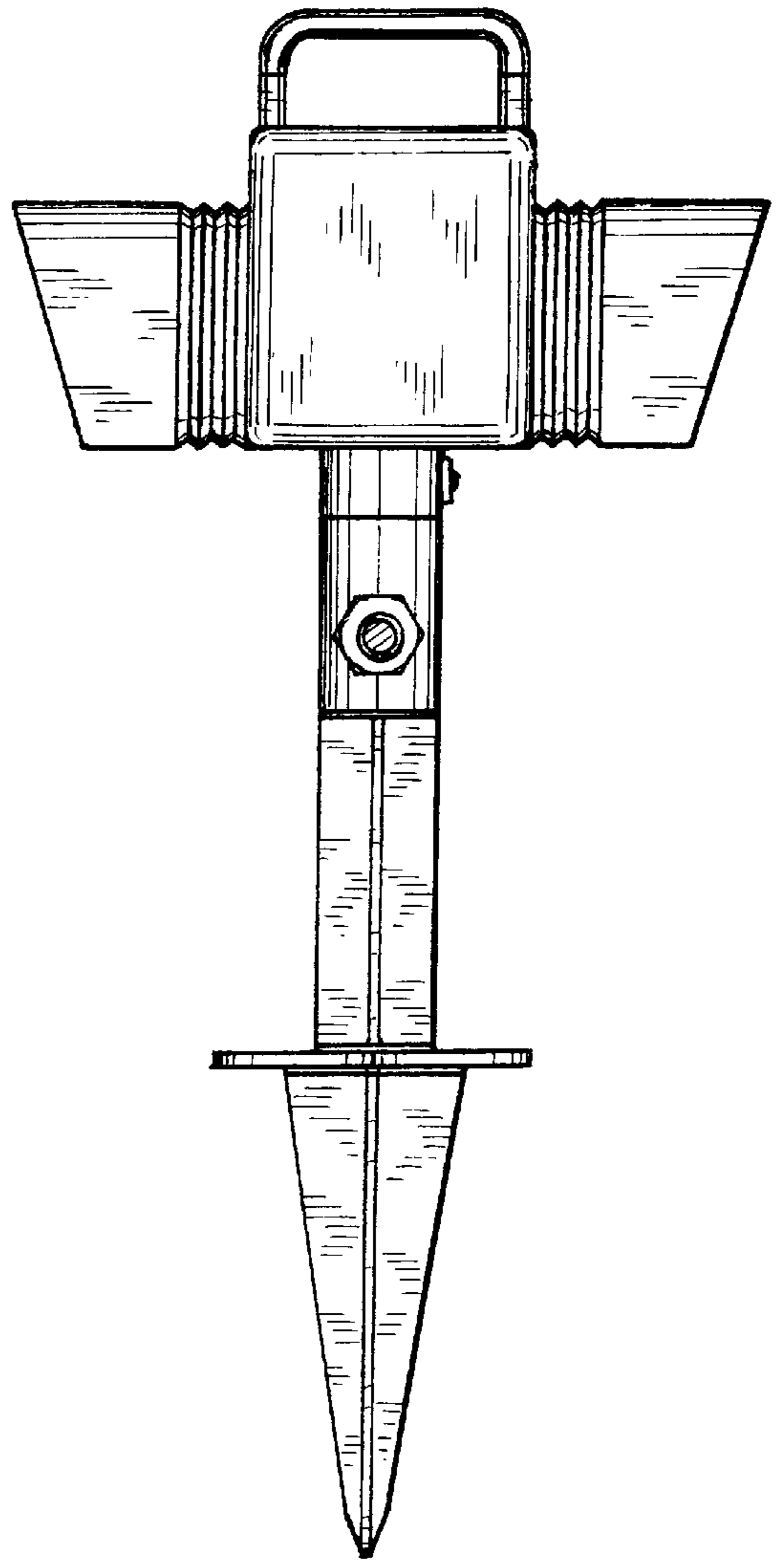


FIG. 5

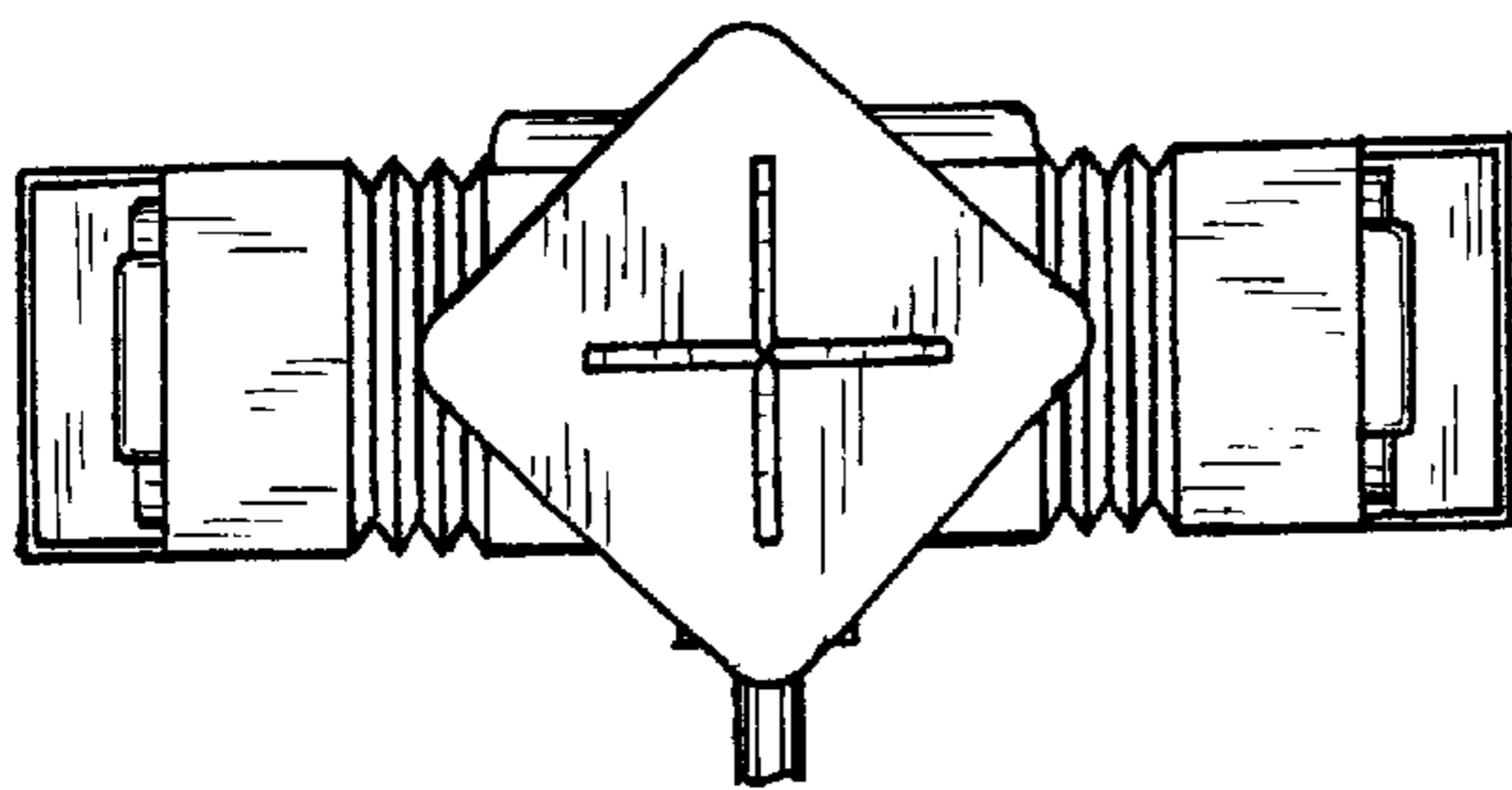


FIG. 6

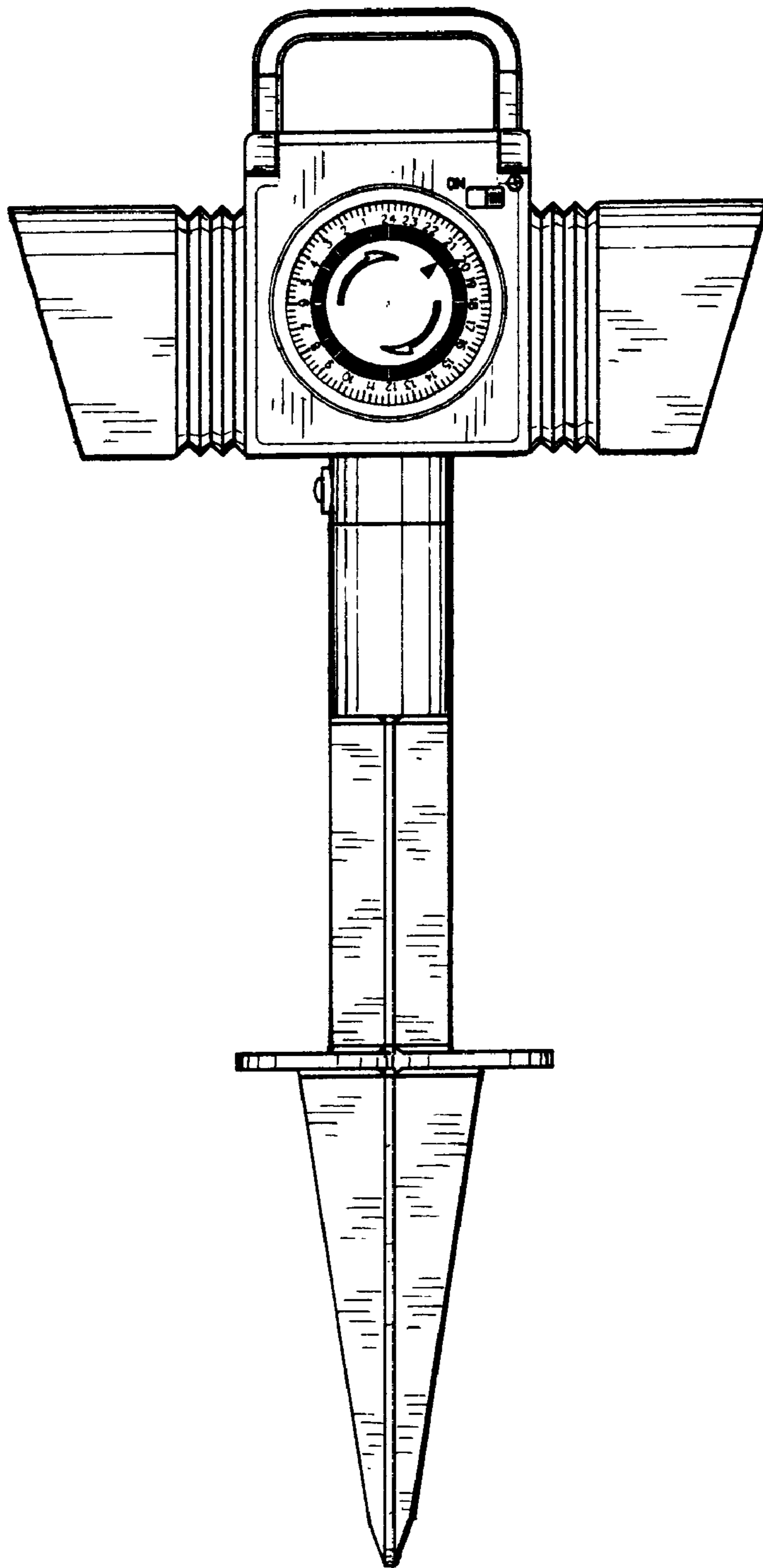


FIG. 7

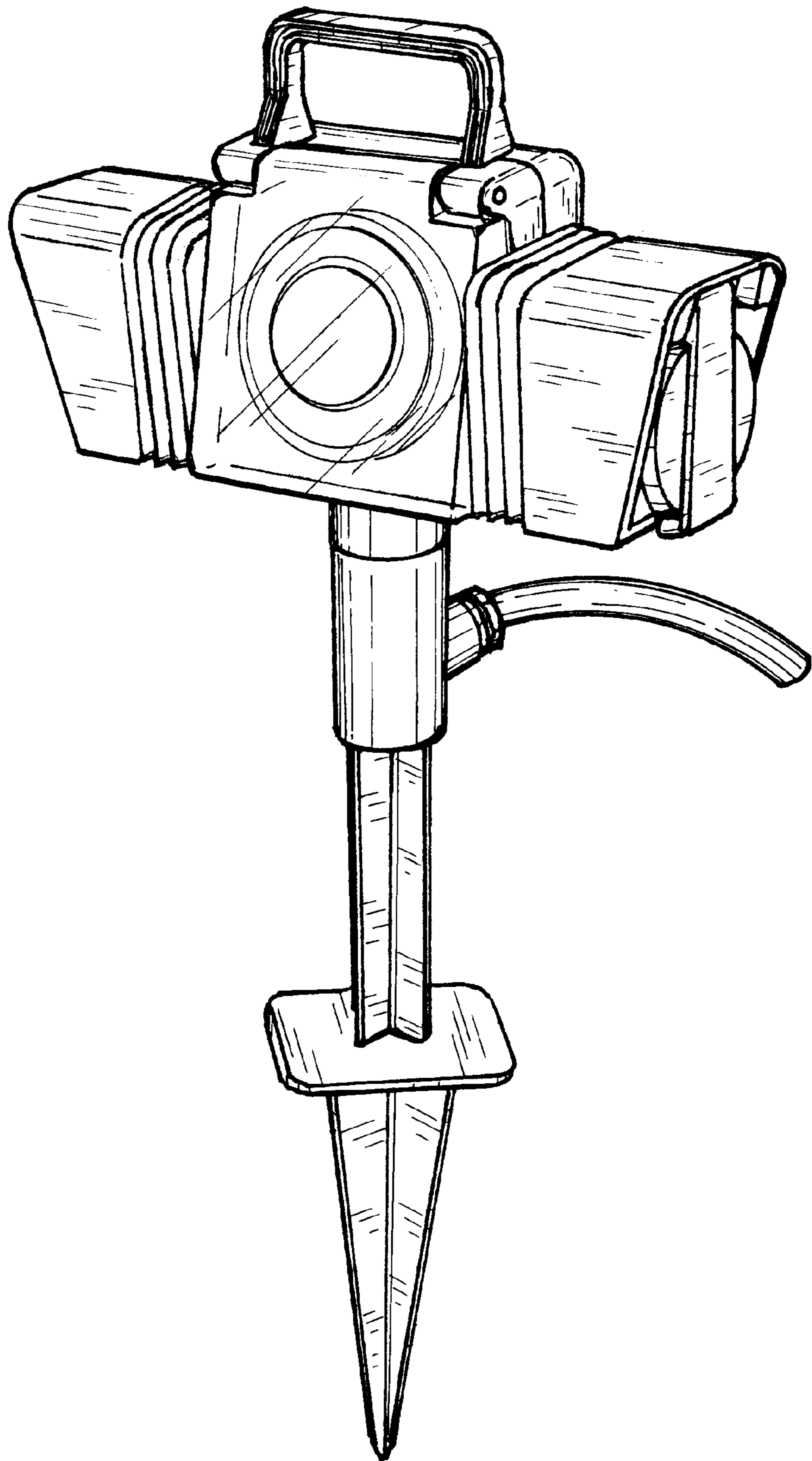


FIG. 8