



US00D431474S

United States Patent [19] Moore

[11] Patent Number: Des. 431,474

[45] Date of Patent: ** Oct. 3, 2000

[54] **CLOCK**

[75] Inventor: **Shan-Ker Moore**, Sha-Lu, Taiwan

[73] Assignee: **Centre Clock Industry Co., Ltd.**,
Taichung Hsien, Taiwan

[**] Term: **14 Years**

[21] Appl. No.: **29/117,153**

[22] Filed: **Jan. 19, 2000**

[51] **LOC (7) Cl.** **10-02**

[52] **U.S. Cl.** **D10/25**

[58] **Field of Search** D10/1-40, 122-132;
368/276-277, 285, 316-317, 10

[56] **References Cited**

U.S. PATENT DOCUMENTS

- D. 256,781 9/1980 Mackey D10/6
- D. 257,231 10/1980 Boyland et al. D10/2
- D. 294,227 2/1988 Huang D10/9

Primary Examiner—Nelson C. Holtje
Attorney, Agent, or Firm—Rosenberg, Klein & Lee

[57] **CLAIM**

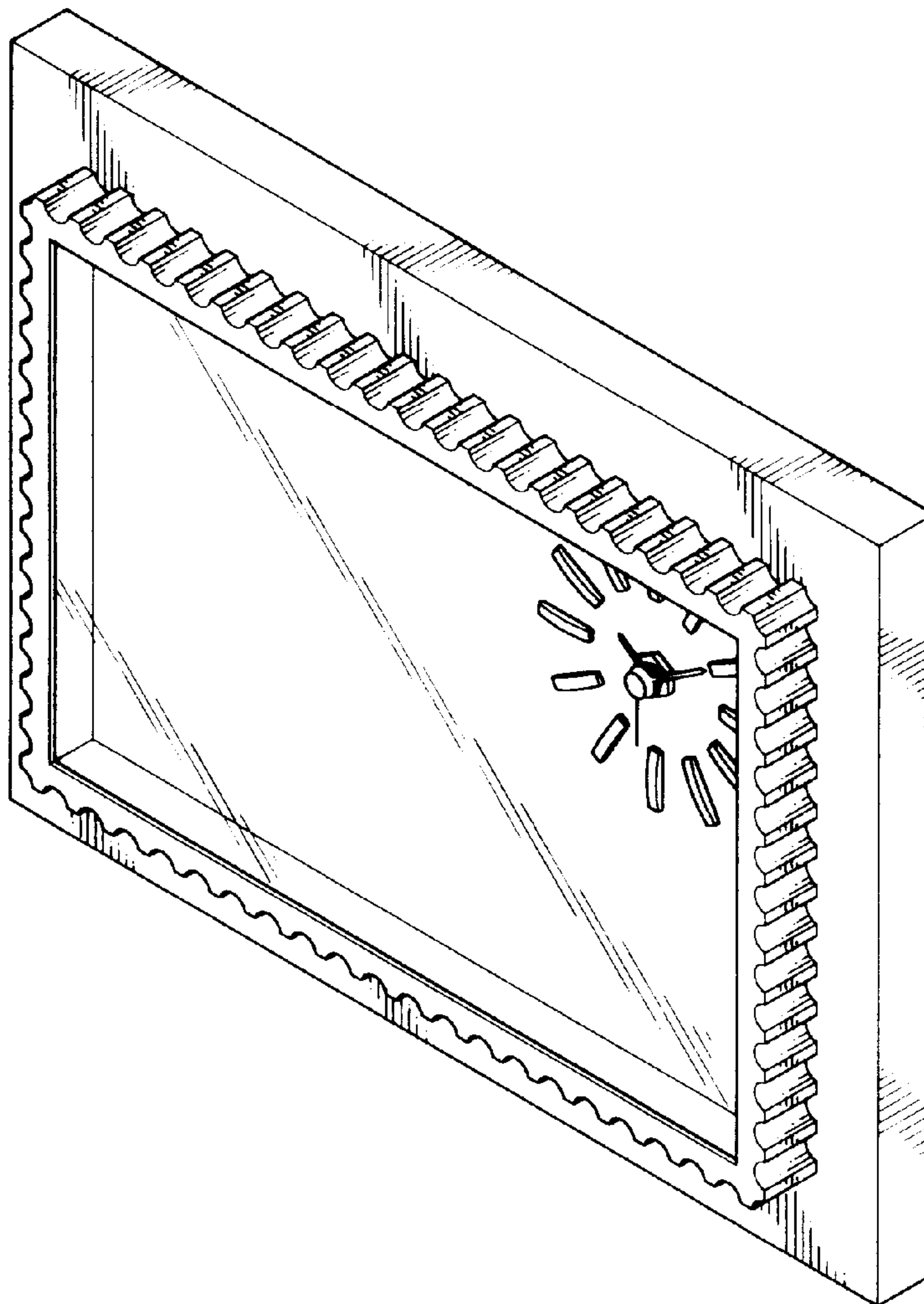
The ornamental design for a clock, as shown.

DESCRIPTION

FIG. 1 is a perspective view of clock showing my design;
FIG. 2 is a front elevation view thereof;
FIG. 3 is a rear elevation view thereof;
FIG. 4 is a left side elevation view thereof;
FIG. 5 is a right side elevation view thereof;
FIG. 6 is a top plan view thereof;
FIG. 7 is a bottom plan view thereof;
FIG. 8 is a front perspective view of a second embodiment
of my new design of FIGS. 1-7; and,
FIG. 9 is a front perspective view of a third embodiment of
my new design of FIGS. 1-7.

The sides and rears of the embodiments are identical to
FIGS. 2-7.

1 Claim, 6 Drawing Sheets



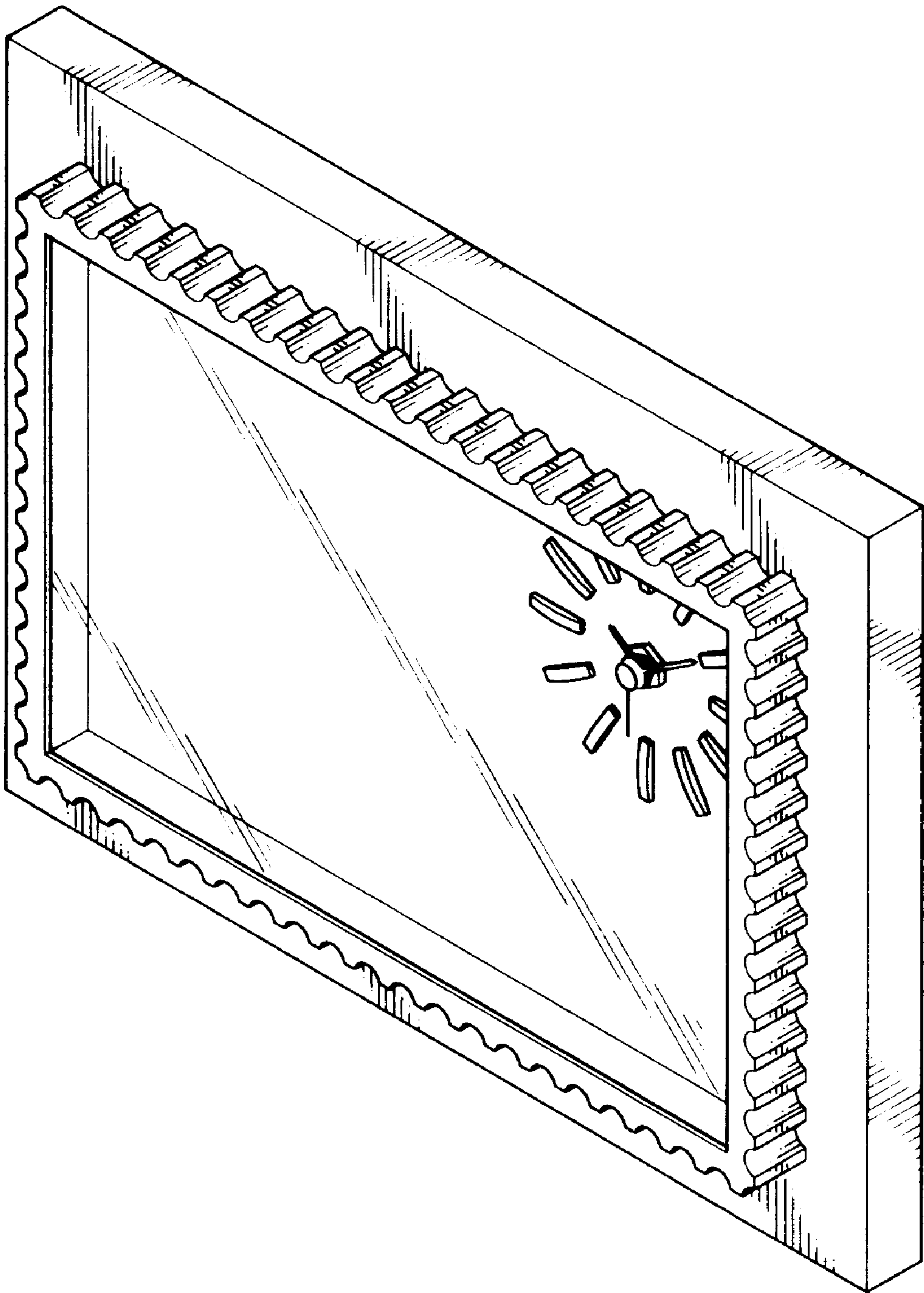


FIG. 1

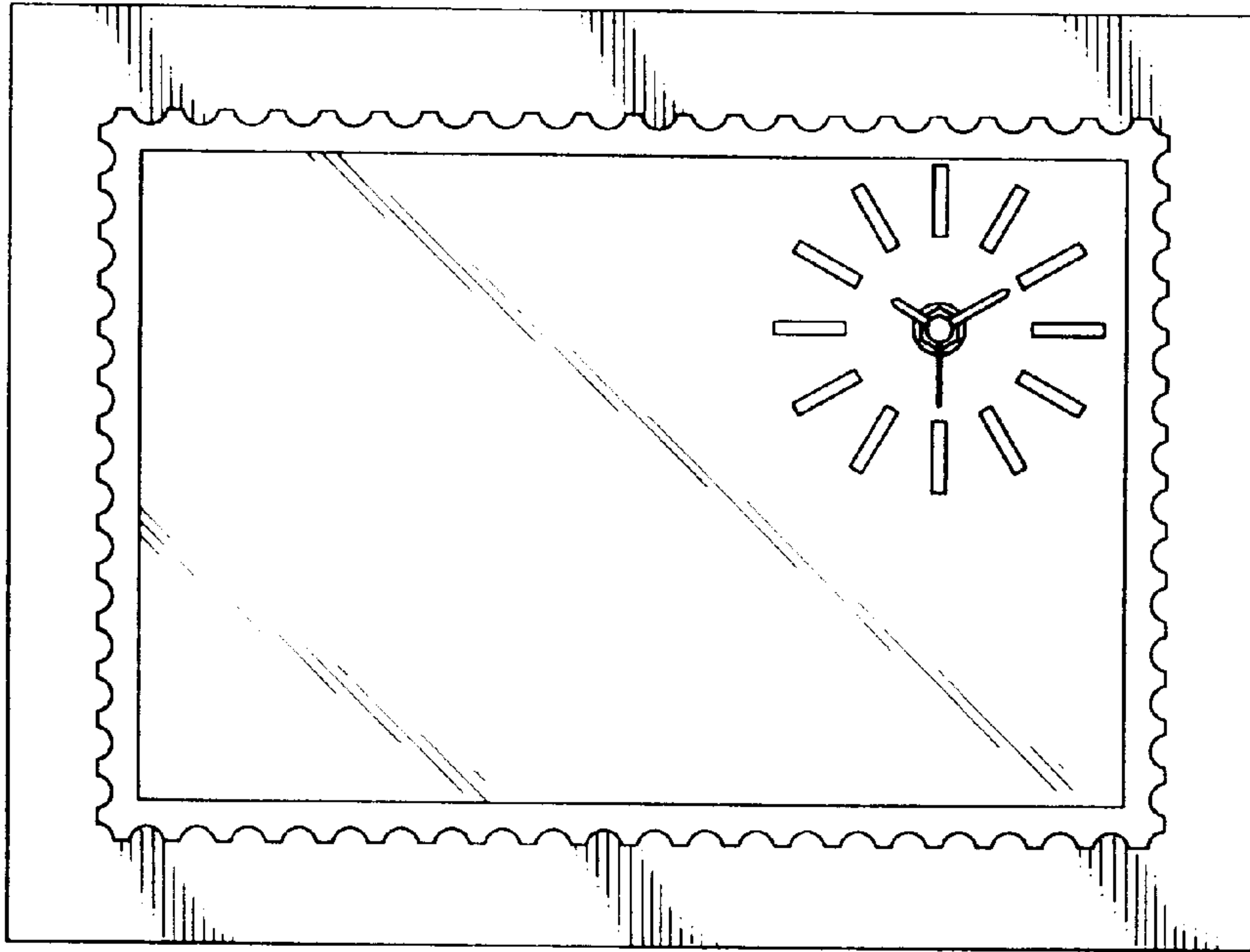


FIG. 2

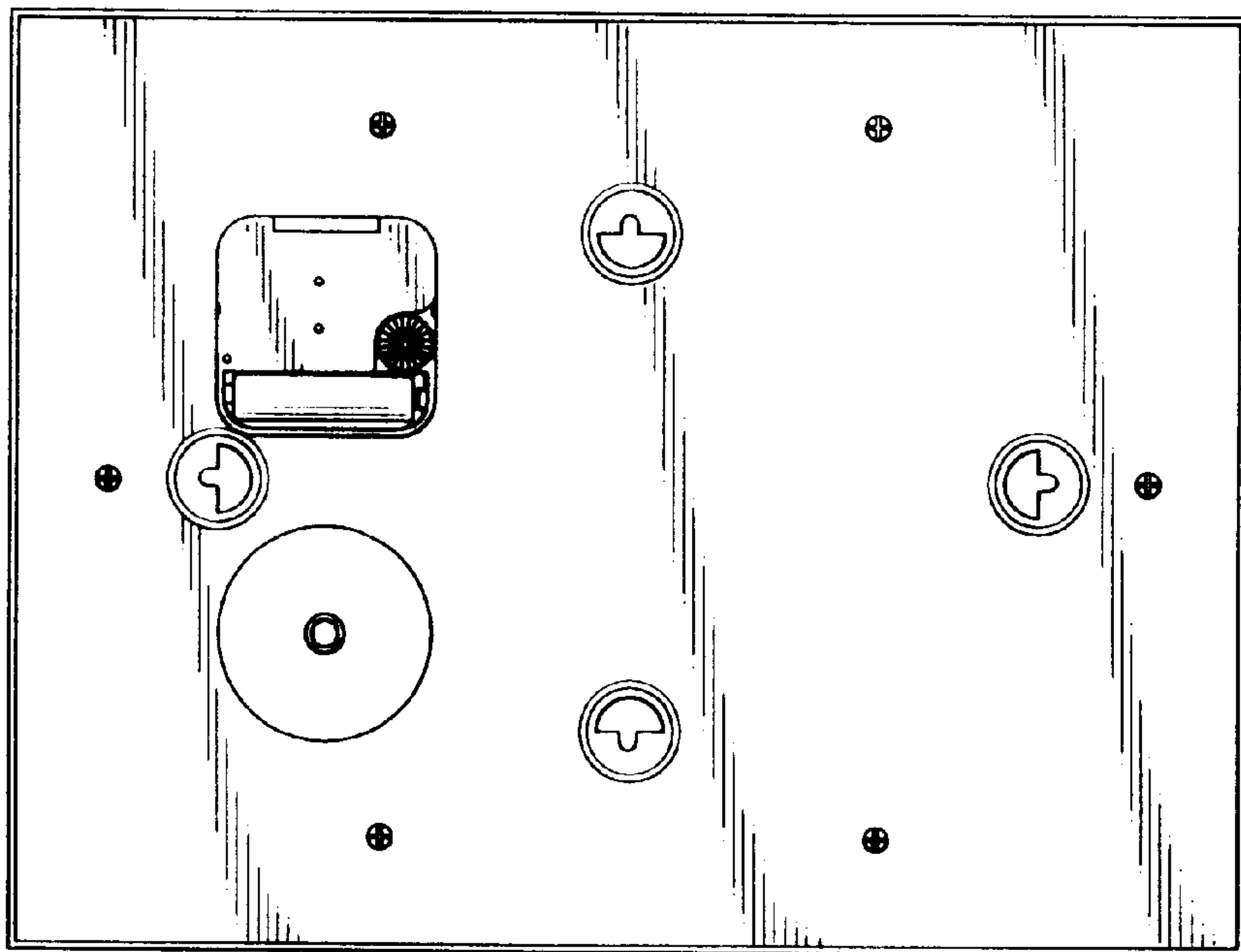


FIG. 3

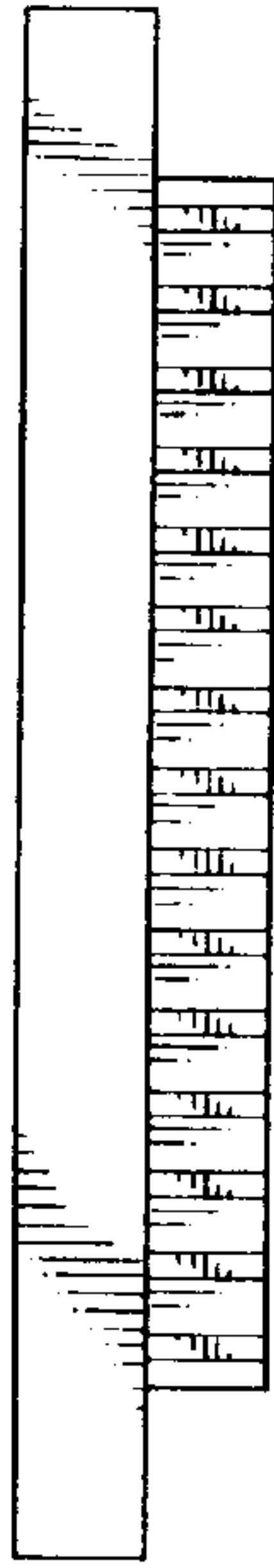


FIG. 4



FIG. 5

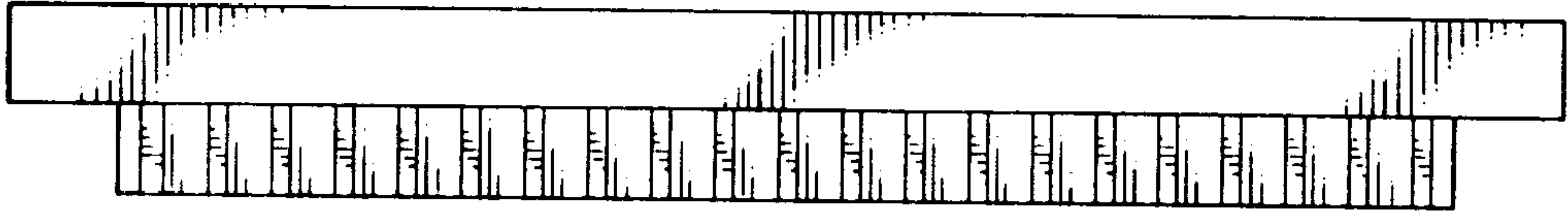


FIG. 6

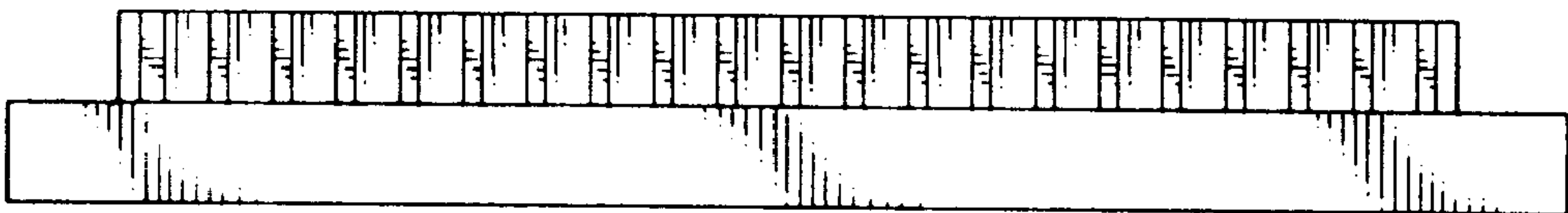


FIG. 7

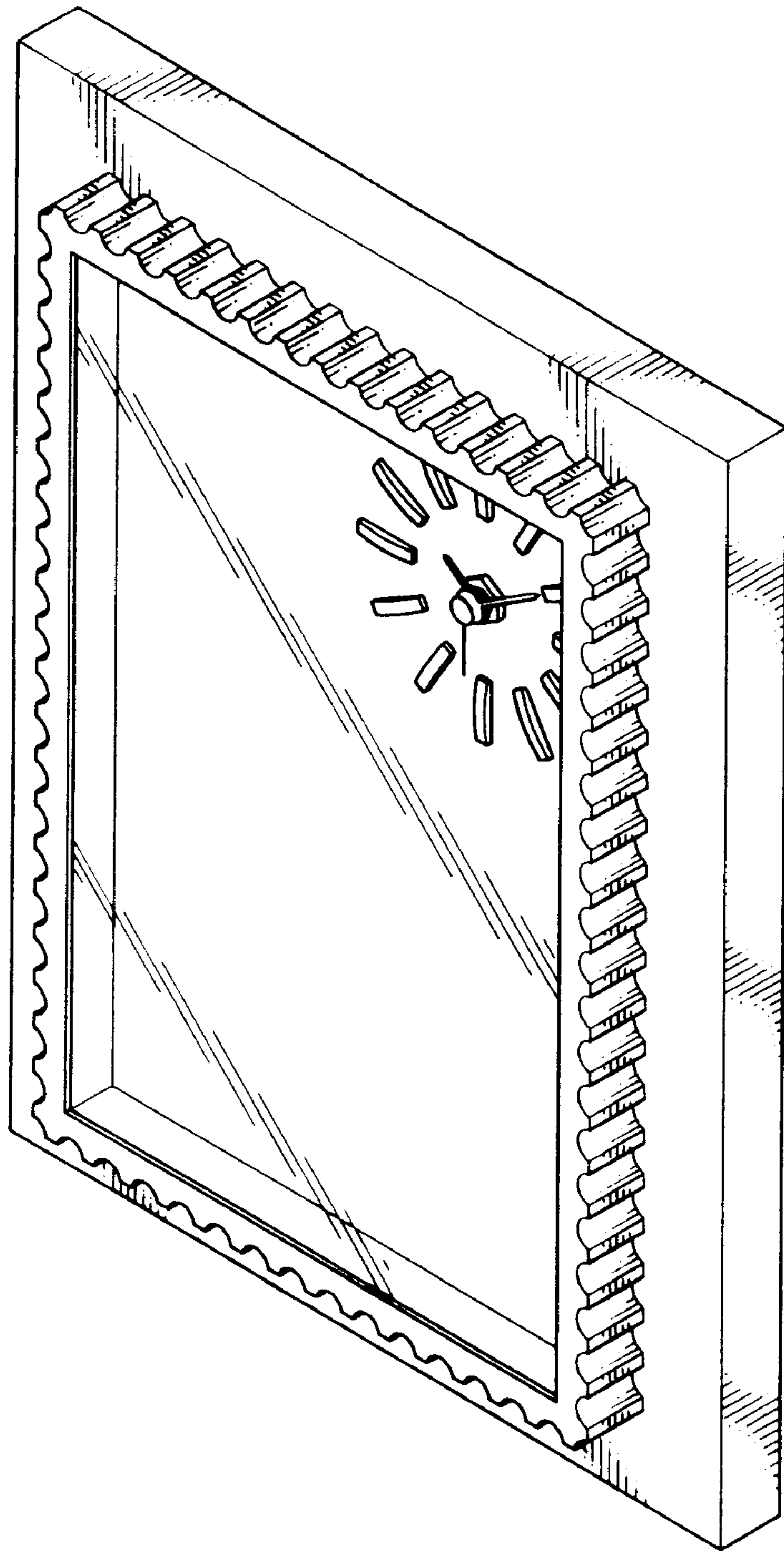


FIG. 8

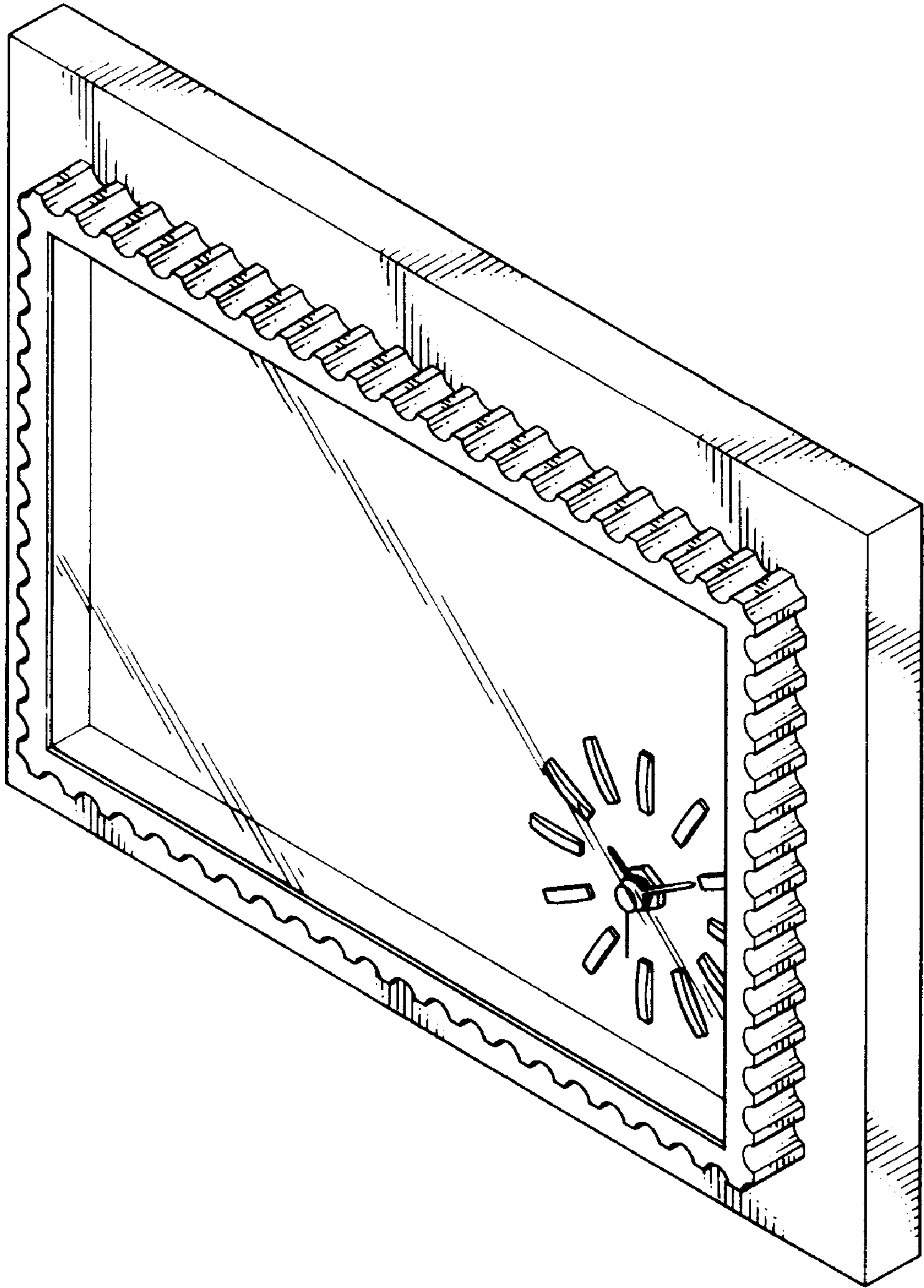


FIG. 9