



US00D431464S

# United States Patent [19]

Collins et al.

[11] Patent Number: **Des. 431,464**

[45] Date of Patent: **\*\* Oct. 3, 2000**

[54] **CONTAINER WITH LID**

[75] Inventors: **Steve Collins**, Gillingham; **Ian McDonald**, Redhill, both of United Kingdom; **Rob Van Ravensteijn**, Den Haag, Netherlands; **Frank Massia**, Cologne, Germany

[73] Assignee: **Henkel Kommanditgesellschaft auf Aktien**, Duesseldorf, Germany

[\*\*] Term: **14 Years**

[21] Appl. No.: **29/096,464**

[22] Filed: **Nov. 13, 1998**

[30] **Foreign Application Priority Data**

May 13, 1998 [XH] Hague Agreement ..... DM/043 974

[51] **LOC (7) Cl.** ..... **09-07**

[52] **U.S. Cl.** ..... **D9/425; D9/424**

[58] **Field of Search** ..... D9/420-425, 432, D9/337, 414; D3/273, 294; D7/629; 206/508, 503; 220/4.21, 4.26, 253, 780, 781, 789-795, 796-806, 376, 380, 674, 675

[56] **References Cited**

**U.S. PATENT DOCUMENTS**

D. 330,161 10/1992 Schuh ..... D9/423

D. 363,663	10/1995	Plater .....	D9/425
D. 409,484	5/1999	Tasker .....	D9/423
D. 412,439	8/1999	Cormack .....	D9/425
2,880,859	4/1959	Tupper .....	220/789 X
4,787,527	11/1988	Monetti .....	220/557
4,819,824	4/1989	Longbottom et al. ....	220/783 X
5,036,997	8/1991	May et al. ....	220/832
5,366,104	11/1994	Armstrong .....	220/832

*Primary Examiner*—Prabhakar Deshmukh  
*Attorney, Agent, or Firm*—Wayne C. Jaeschke; Stephen D. Harper; Kenneth Watov

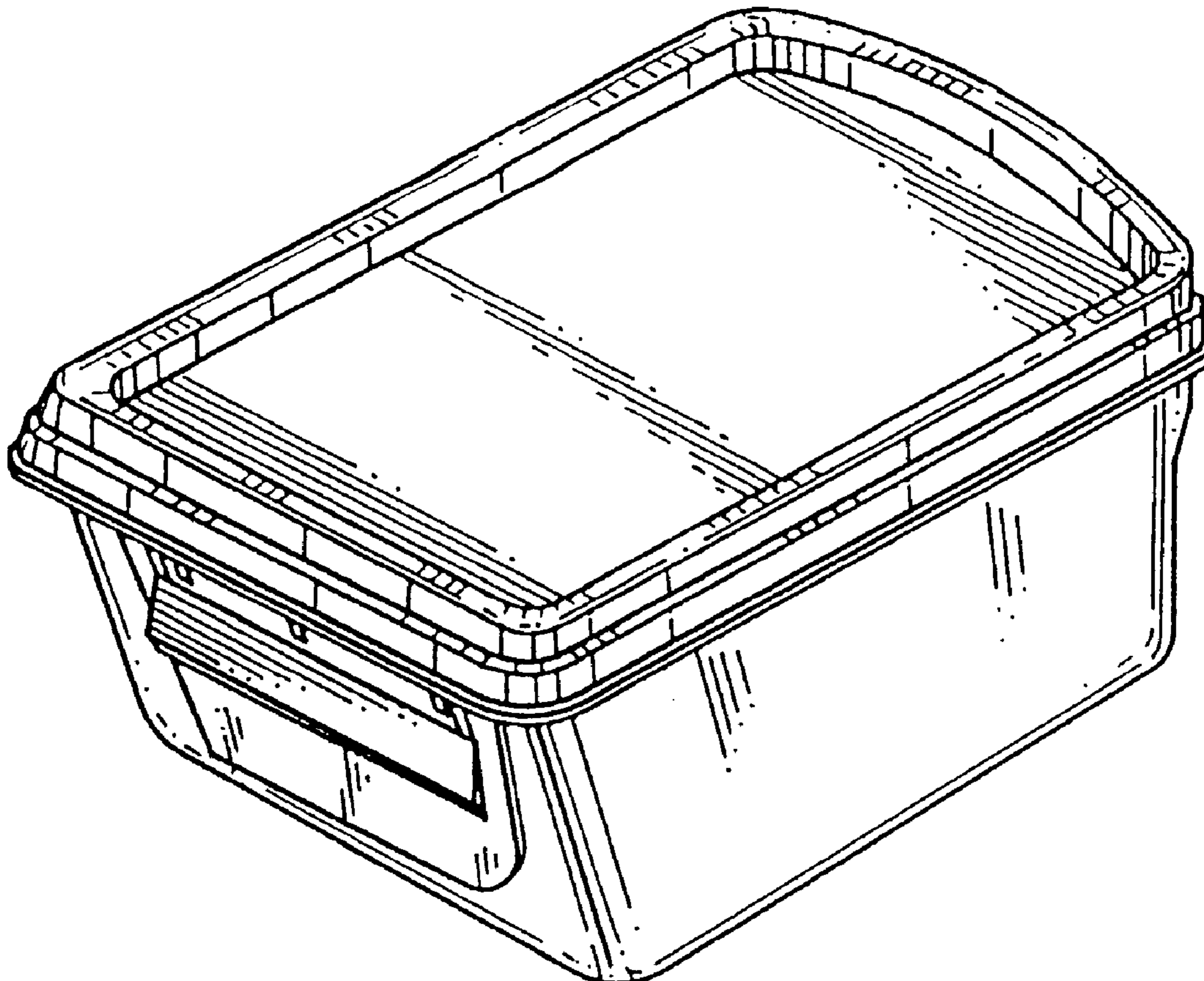
[57] **CLAIM**

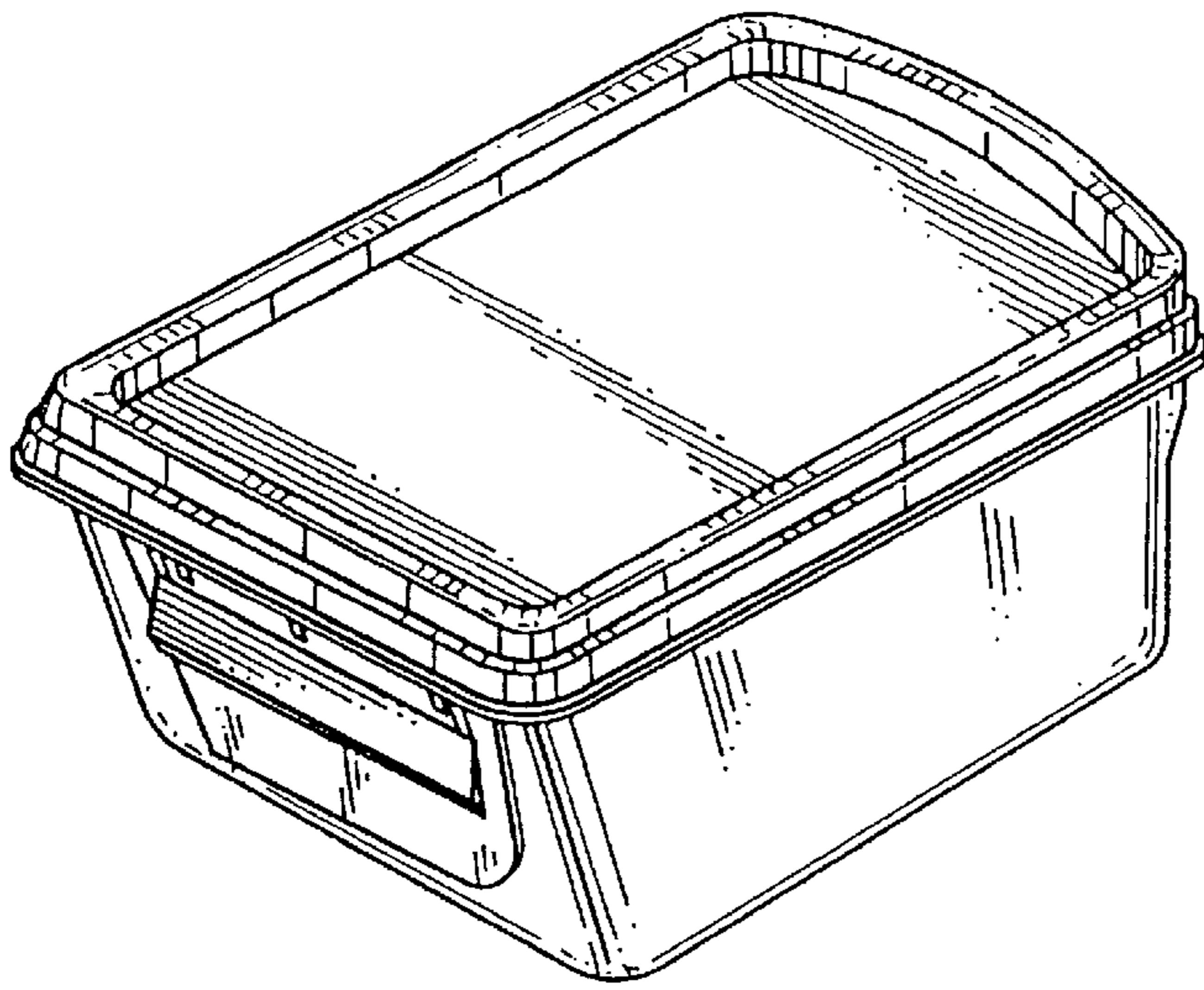
The ornamental design for container with lid, as shown and described.

**DESCRIPTION**

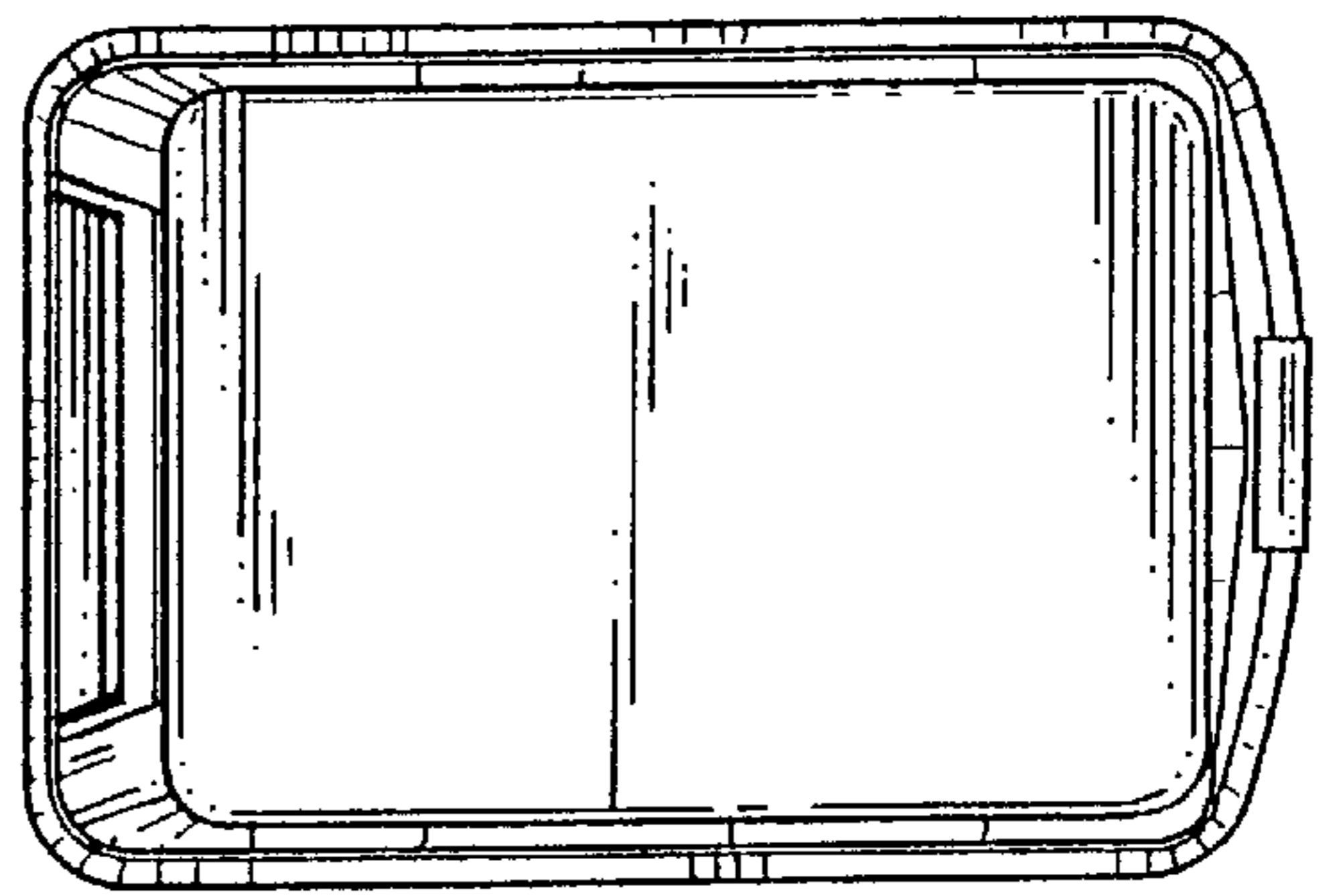
FIG. 1 is a perspective view of the container with lid showing our new design;  
FIG. 2 is a bottom plan view thereof;  
FIG. 3 is a back elevational view thereof;  
FIG. 4 is a right side elevational view thereof;  
FIG. 5 is a top plan view thereof;  
FIG. 6 is a front elevational view thereof; and,  
FIG. 7 is a left side elevational view thereof.

**1 Claim, 2 Drawing Sheets**

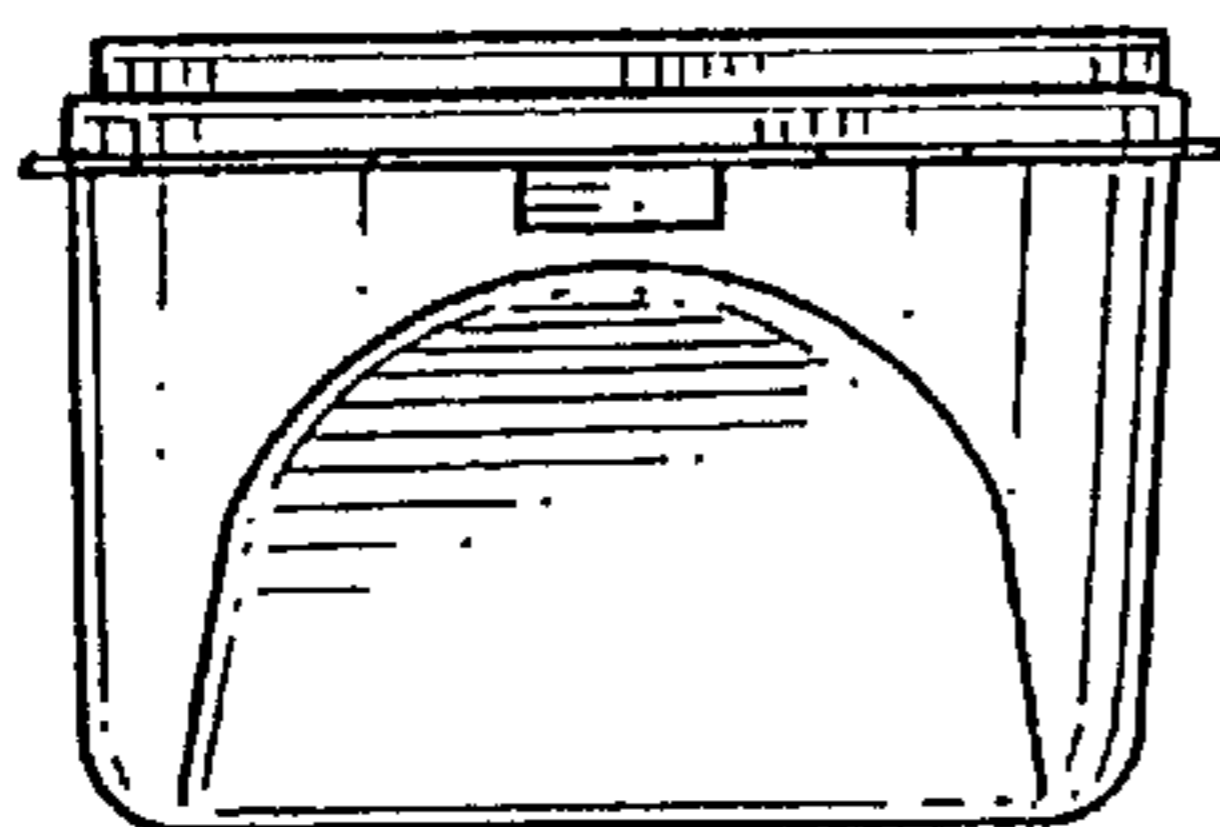




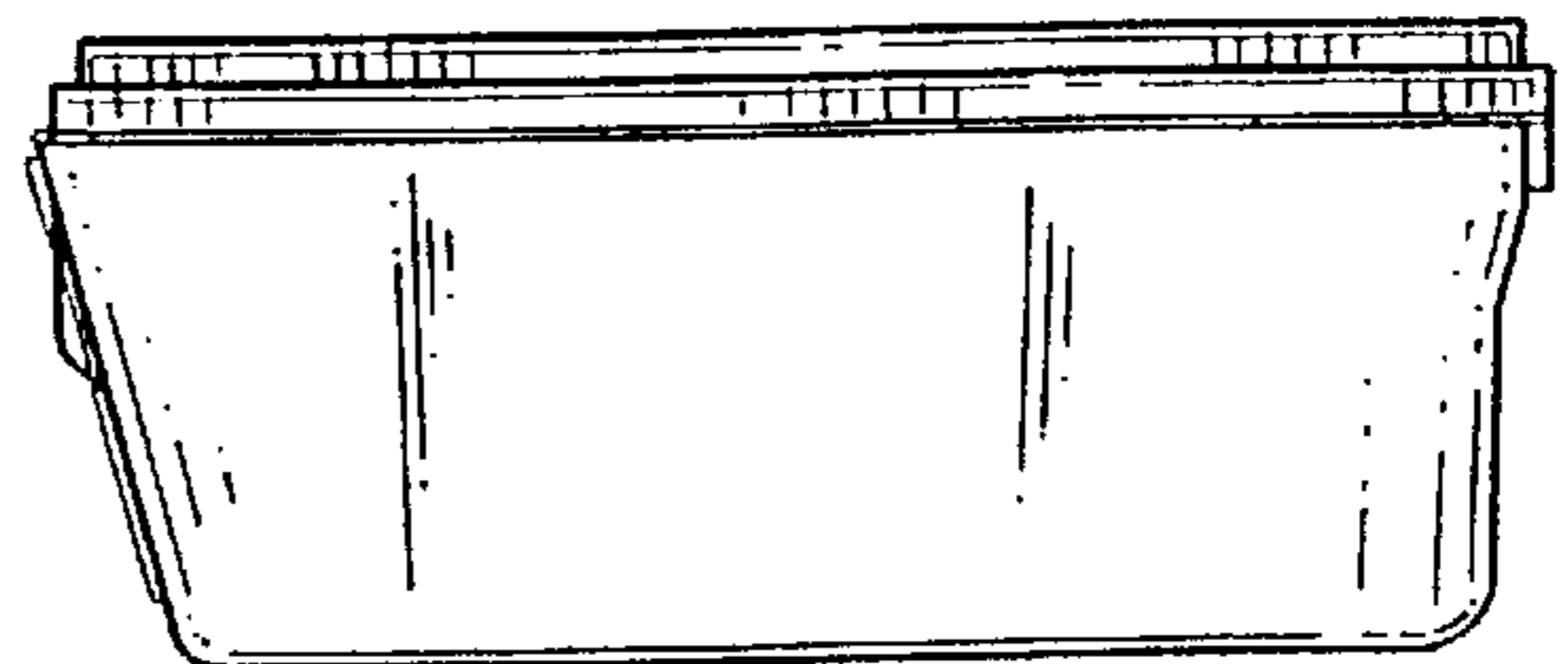
*FIG. 1*



*FIG. 2*



*FIG. 3*



*FIG. 4*

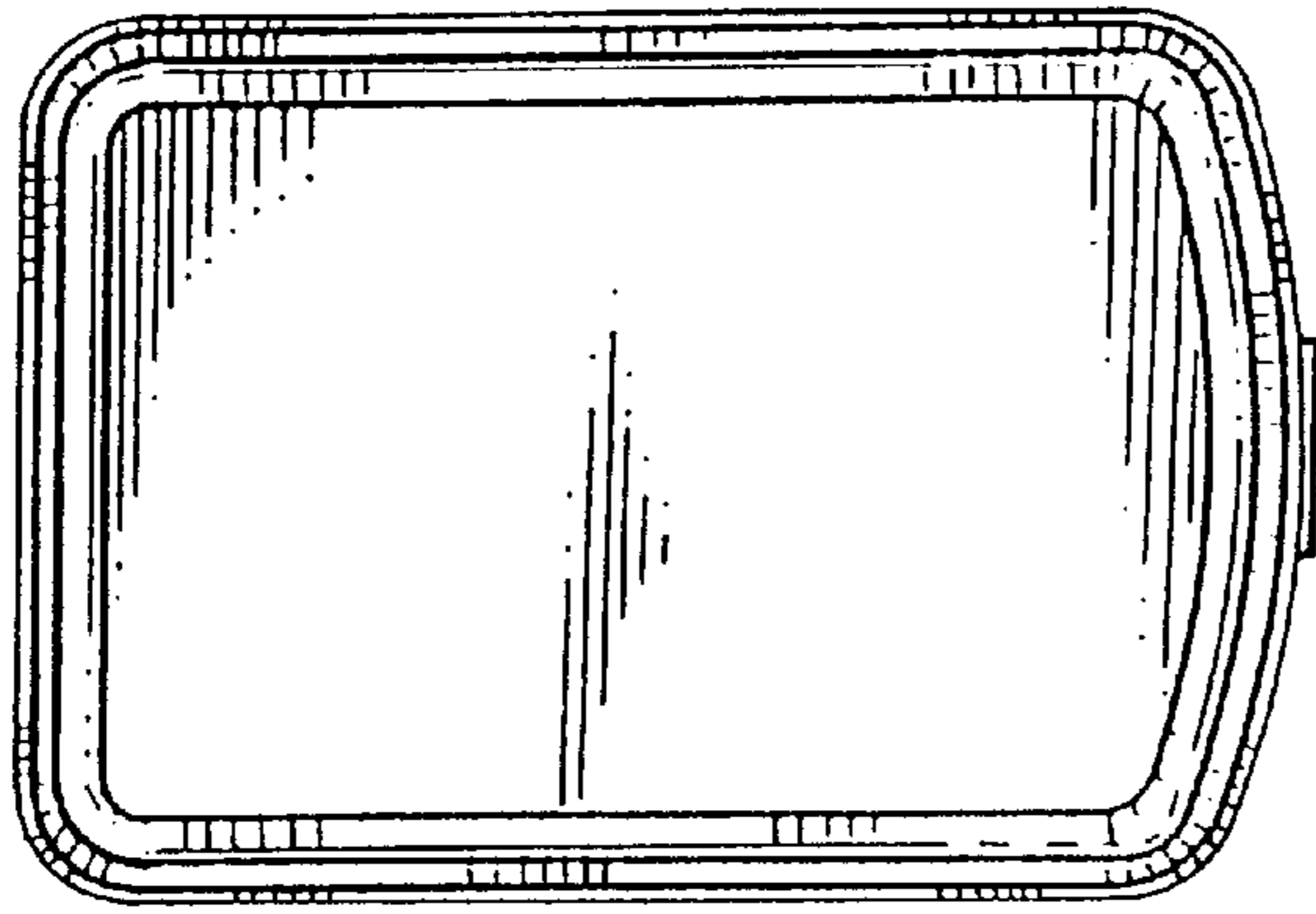


FIG. 5

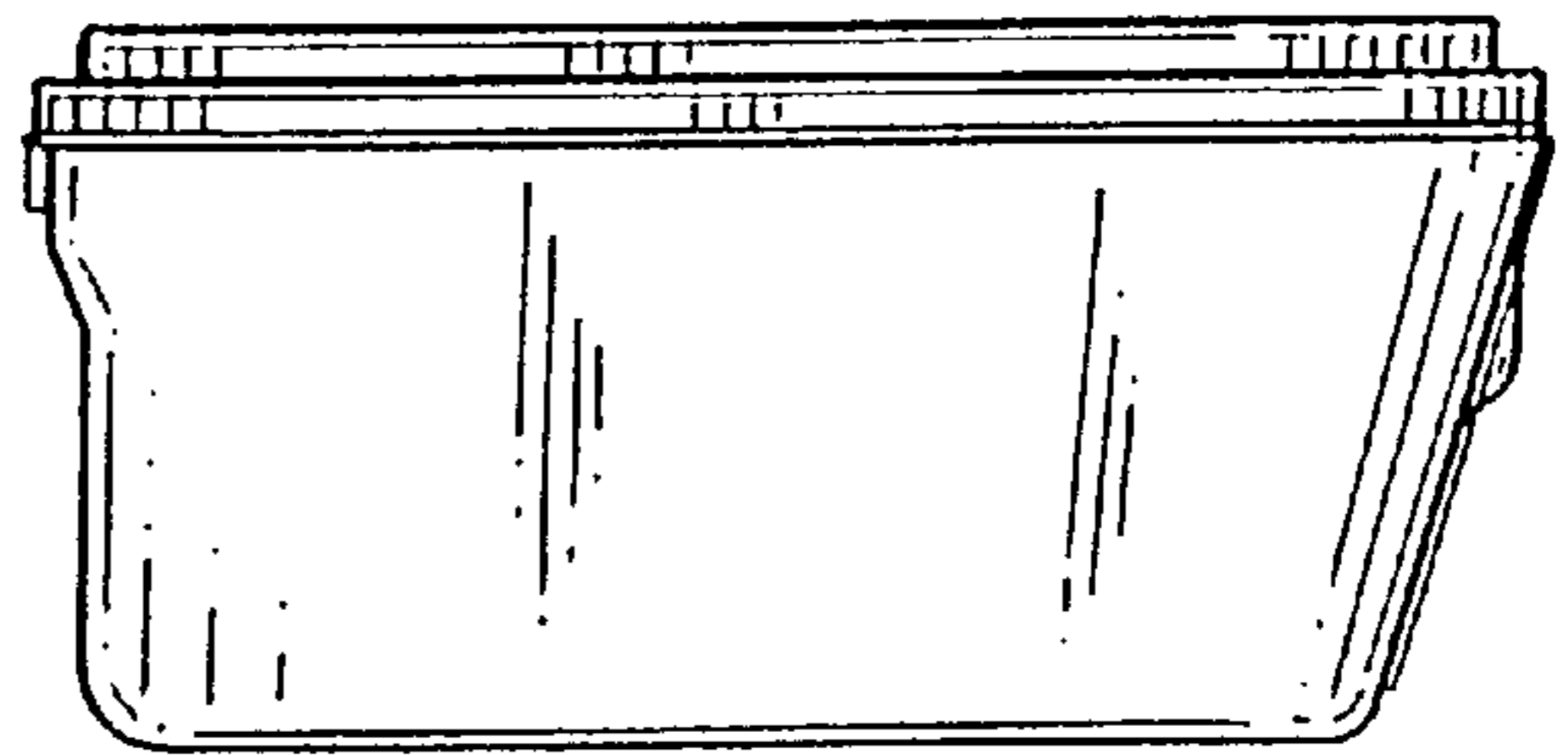


FIG. 7

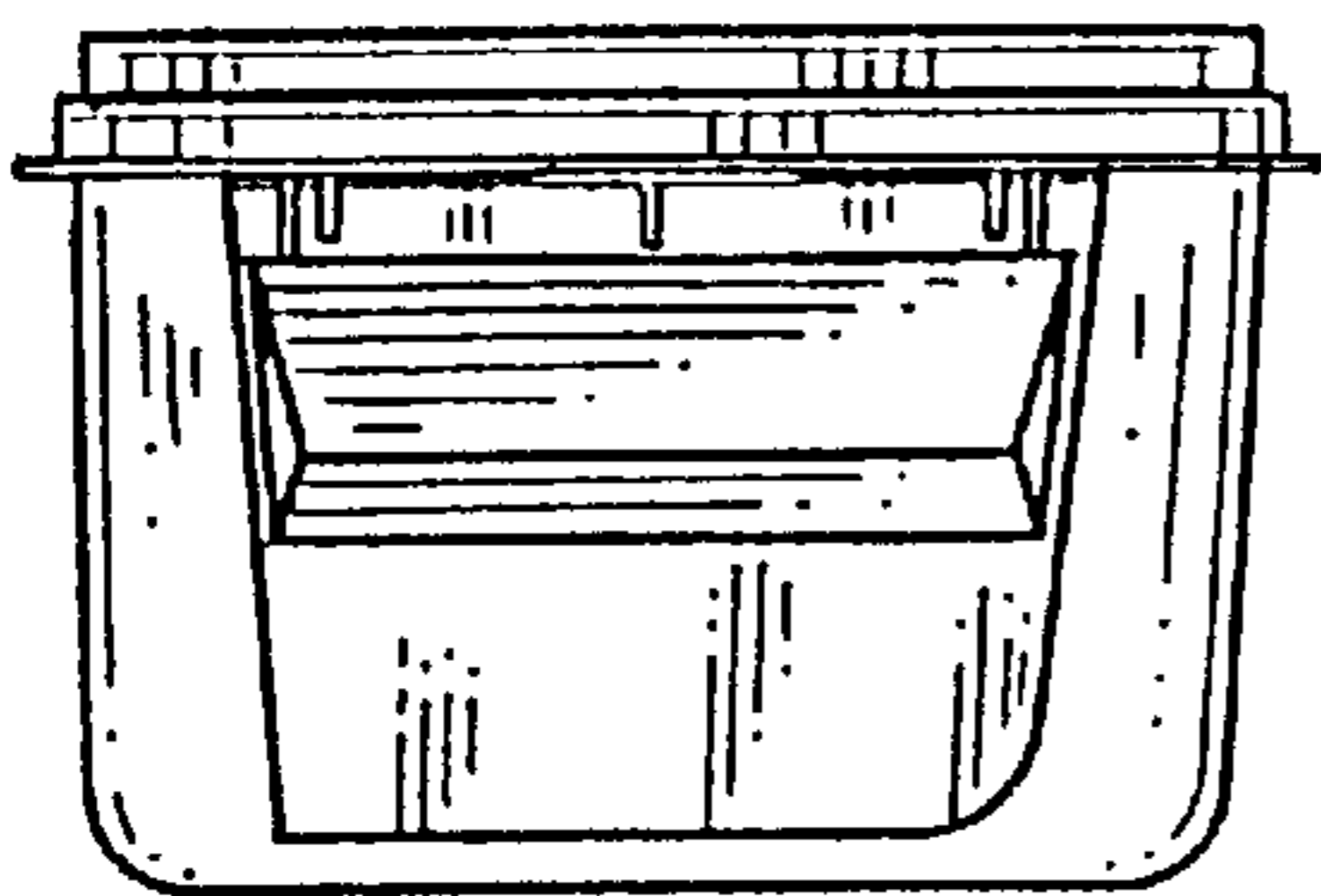


FIG. 6