



US00D431463S

United States Patent [19]

[11] Patent Number: **Des. 431,463**

Gallart et al.

[45] Date of Patent: **** Oct. 3, 2000**

[54] **PACKAGE FOR CONFECTIONARY**

[75] Inventors: **Ramón Escolà Gallart**, Sant Cugat del Valles; **Ramon Bayés Turull**, Barcelona, both of Spain

[73] Assignee: **Zeta Espacial, S.A.**, Rubi, Spain

[**] Term: **14 Years**

[21] Appl. No.: **29/107,486**

[22] Filed: **Jul. 6, 1999**

[30] **Foreign Application Priority Data**

Jan. 5, 1999 [GB] United Kingdom 2080170

[51] **LOC (7) Cl.** **09-07**

[52] **U.S. Cl.** **D9/418; D9/428; D9/311**

[58] **Field of Search** D9/428, 423, 424, D9/414, 501, 503, 504, 549, 311; D3/201, 221, 273, 293, 328; 206/303, 305, 315.1, 800, 828, 457; 229/904.1, 922, 4.5, 87.07, 800, 116.1, 116.3; 224/901.2, 567, 570

[56] **References Cited**

U.S. PATENT DOCUMENTS

D. 336,039 6/1993 Tanaka et al. D9/428 X

D. 348,775 7/1994 Scheid D3/328

D. 349,452	8/1994	Stimac	D9/311 X
D. 359,234	6/1995	Amin	D9/428
1,361,628	12/1920	Shailer	229/904.1
1,672,196	6/1928	Blackwell	229/904.1
2,102,329	12/1937	Nelson et al.	D9/311 X
2,484,776	10/1949	Zent et al.	229/116.3
2,711,541	6/1955	Bellett	229/116.3
2,884,177	4/1959	Hull	229/116.3
3,774,800	11/1973	Lohwasser	229/107
5,687,840	11/1997	Sherman	206/457 X

Primary Examiner—Prabhakar Deshmukh
Attorney, Agent, or Firm—Steinberg & Raskin, P.C.

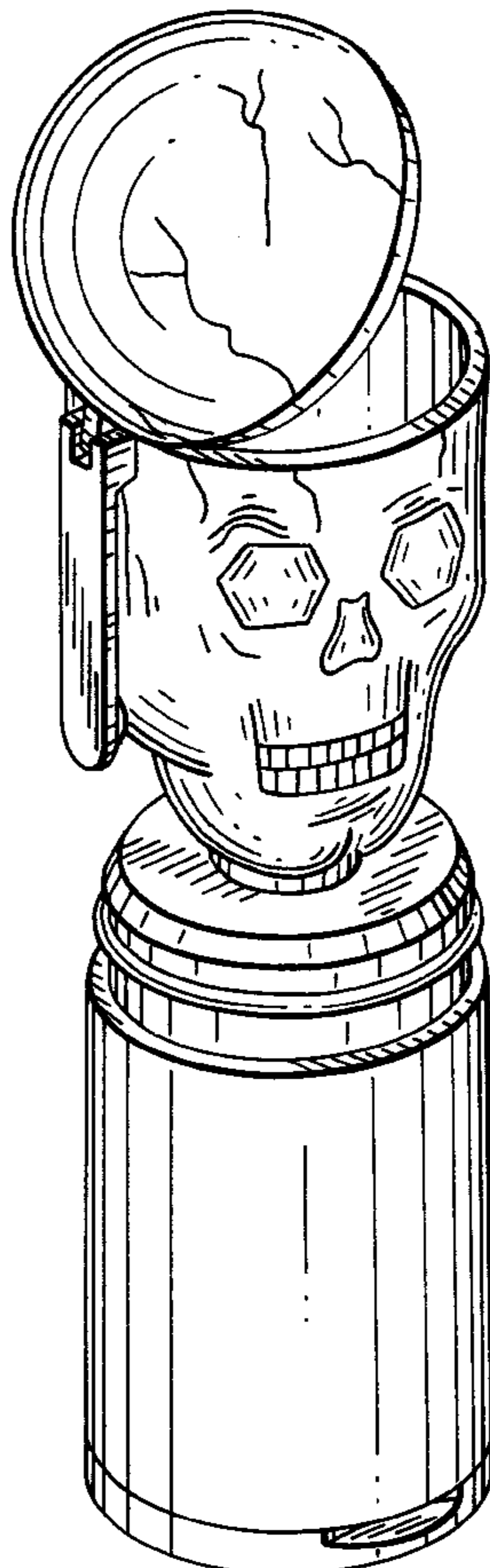
[57] **CLAIM**

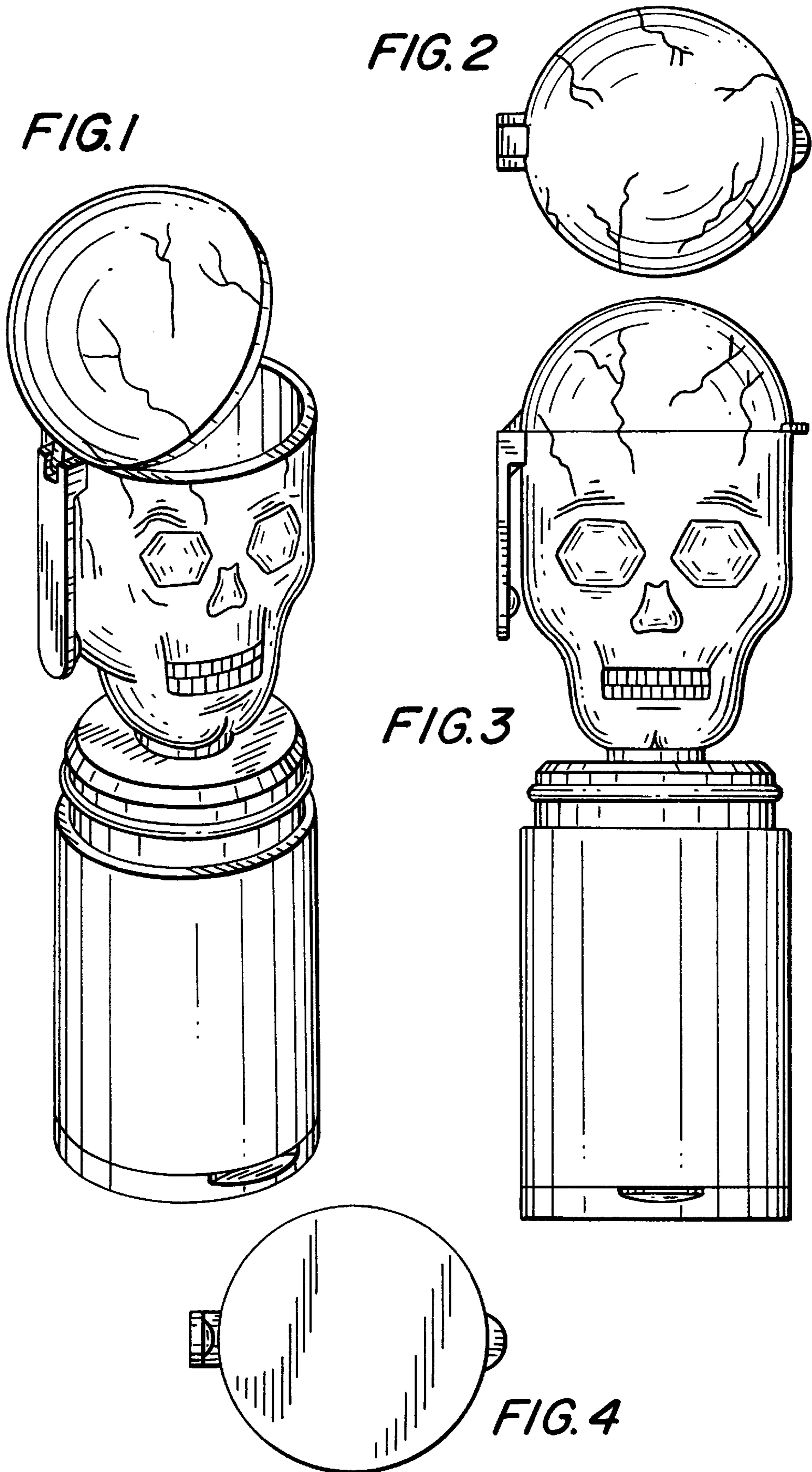
I claim the ornamental design for a package for confectionary, as shown and described.

DESCRIPTION

FIG. 1 is a perspective view of a package for confectionary showing the new design;
FIG. 2 is a top plan view thereof;
FIG. 3 is a front side elevation view thereof;
FIG. 4 is a bottom plan view thereof;
FIG. 5 is a left side elevation view thereof;
FIG. 6 is a rear view thereof; and,
FIG. 7 is a right side elevation view thereof.

1 Claim, 2 Drawing Sheets





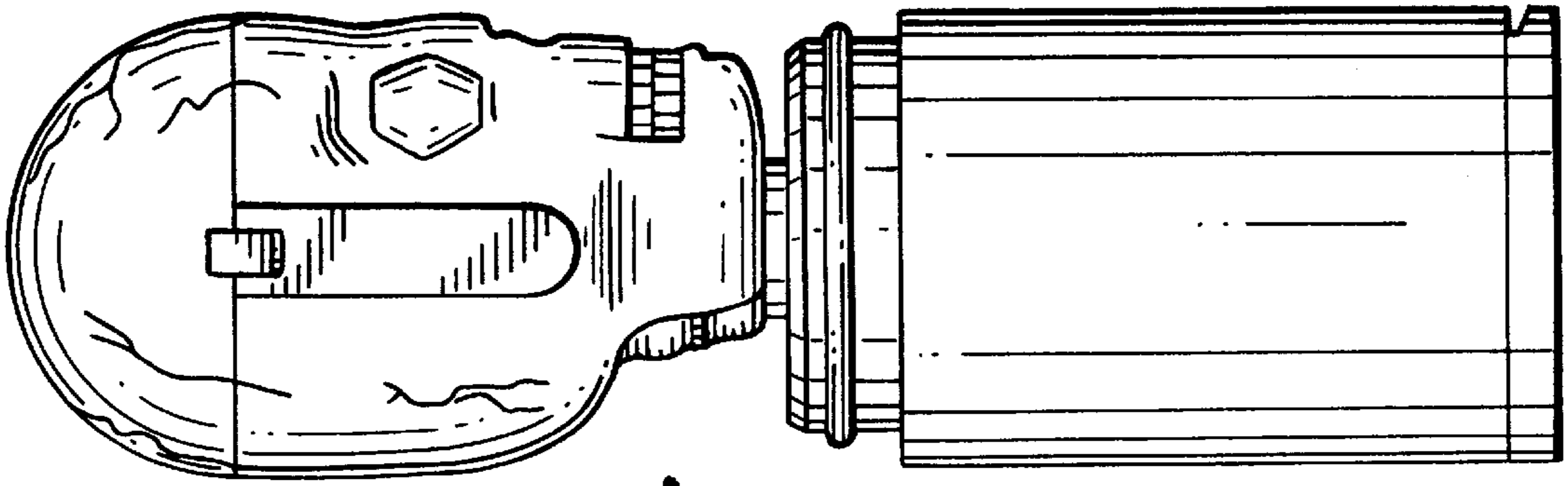


FIG. 5

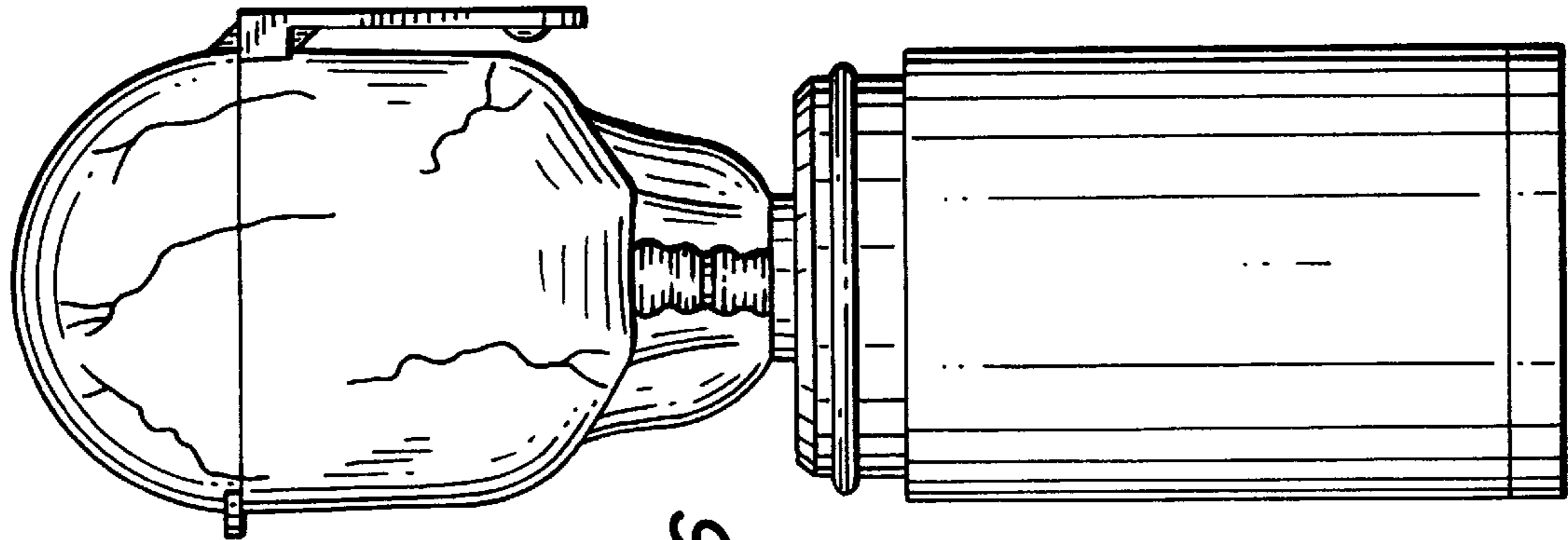


FIG. 6

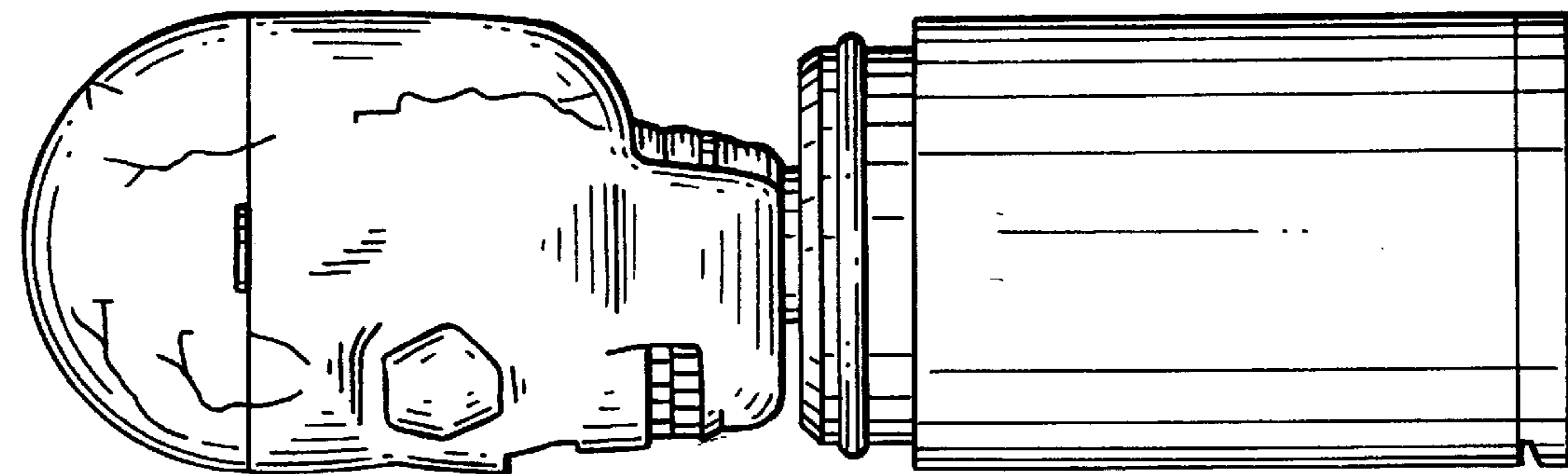


FIG. 7