



US00D431460S

**United States Patent** [19]  
**Nichol**

[11] **Patent Number: Des. 431,460**  
[45] **Date of Patent: \*\* Oct. 3, 2000**

[54] **DISPLAY APPARATUS**

[75] Inventor: **Gordon Nichol**, Newcastle, United Kingdom  
[73] Assignee: **Black & Decker Inc.**, Newark, Del.  
[\*\*] Term: **14 Years**  
[21] Appl. No.: **29/110,390**  
[22] Filed: **Sep. 3, 1999**

**Related U.S. Application Data**

[63] Continuation-in-part of application No. 29/080,912, Dec. 19, 1997, Pat. No. Des. 420,577.

**Foreign Application Priority Data**

Mar. 5, 1999 [GB] United Kingdom ..... 2081714

[51] **LOC (7) Cl.** ..... **09-07**  
[52] **U.S. Cl.** ..... **D9/415**  
[58] **Field of Search** ..... D9/415, 455, 457,  
D9/337; 206/461-471, 806, 349, 379, 479,  
480, 495, 486; 211/69, 70.6

[56] **References Cited**

**U.S. PATENT DOCUMENTS**

D. 349,289 8/1994 Steenland ..... D9/415  
D. 366,829 2/1996 Chervenak et al. .... D9/415  
D. 383,843 9/1997 Griffin ..... D9/415 X  
D. 402,885 12/1998 Stein ..... D9/415  
3,130,834 4/1964 Korzaan ..... 206/349  
4,634,005 1/1987 Kulzer et al. .... 206/349 X  
4,899,877 2/1990 Kierman ..... 206/349  
5,279,420 1/1994 Rodgers ..... 206/806 X  
5,501,330 3/1996 Betts ..... 206/349  
5,699,907 12/1997 Langenstick ..... 206/349

**OTHER PUBLICATIONS**

Modern Pakaging, p. 300, Jan. 1941.  
Techform Inc, Jan. 1941.

*Primary Examiner*—Prabhakar Deshmukh

*Attorney, Agent, or Firm*—Charles E. Yocum

[57] **CLAIM**

The ornamental design for a display apparatus, as shown and described.

**DESCRIPTION**

FIG. 1 is a perspective view of a display apparatus in accordance with the invention.

FIG. 2 is a top plan view of the display apparatus of FIG. 1.

FIG. 3 is a bottom plan view of the display apparatus of FIG. 1.

FIG. 4 is an elevational view taken from one side of the display apparatus of FIG. 1.

FIG. 5 is an elevational view taken from the other side of the display apparatus of FIG. 1.

FIG. 6 is a front elevational view of the display apparatus of FIG. 1.

FIG. 7 is a rear elevation view of the display apparatus of FIG. 1.

FIG. 8 is a perspective view of another embodiment of a display apparatus in accordance with the invention.

FIG. 9 is a top plan view of the display apparatus of FIG. 8.

FIG. 10 is a bottom plan view of the display apparatus of FIG. 8.

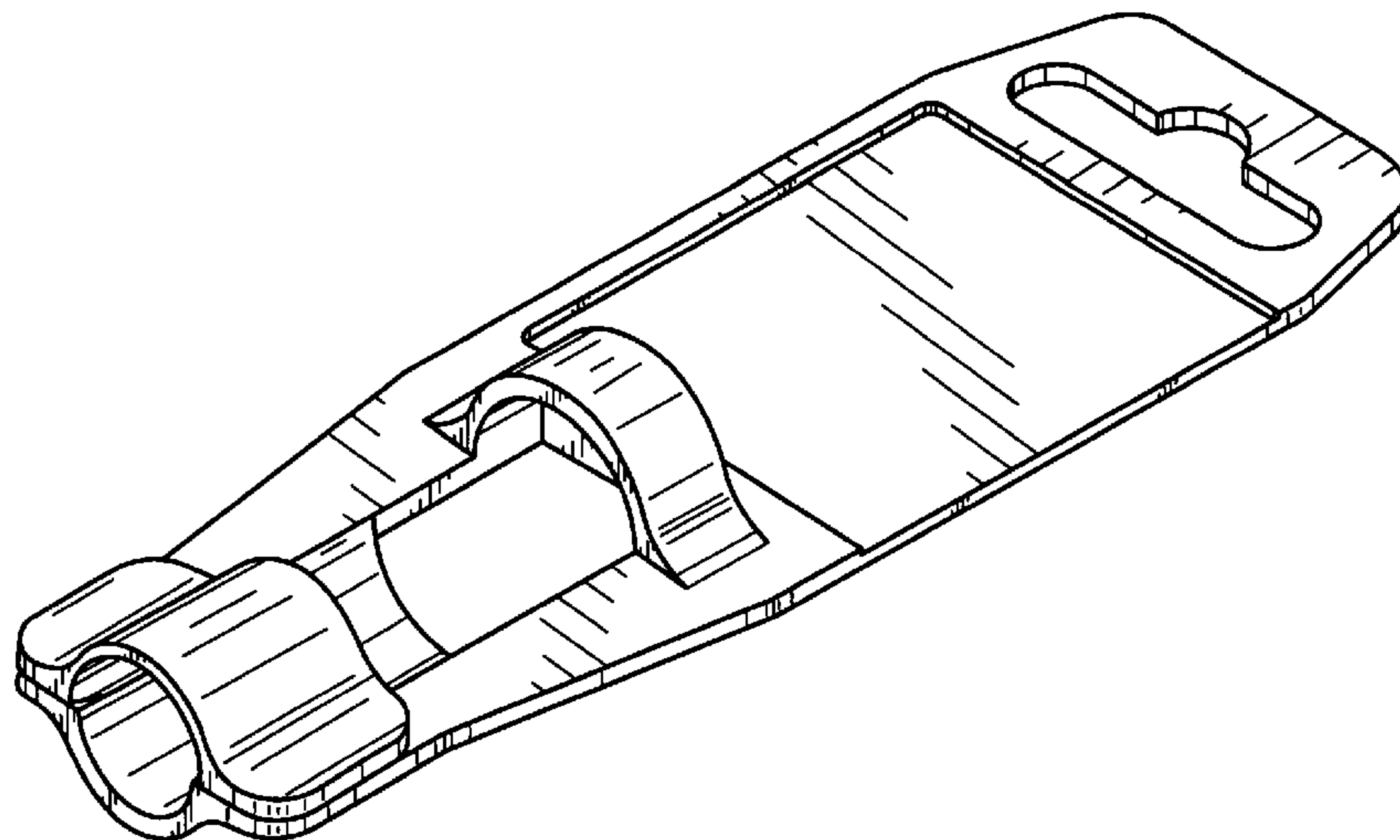
FIG. 11 is an elevational view taken from one side of the display apparatus of FIG. 8.

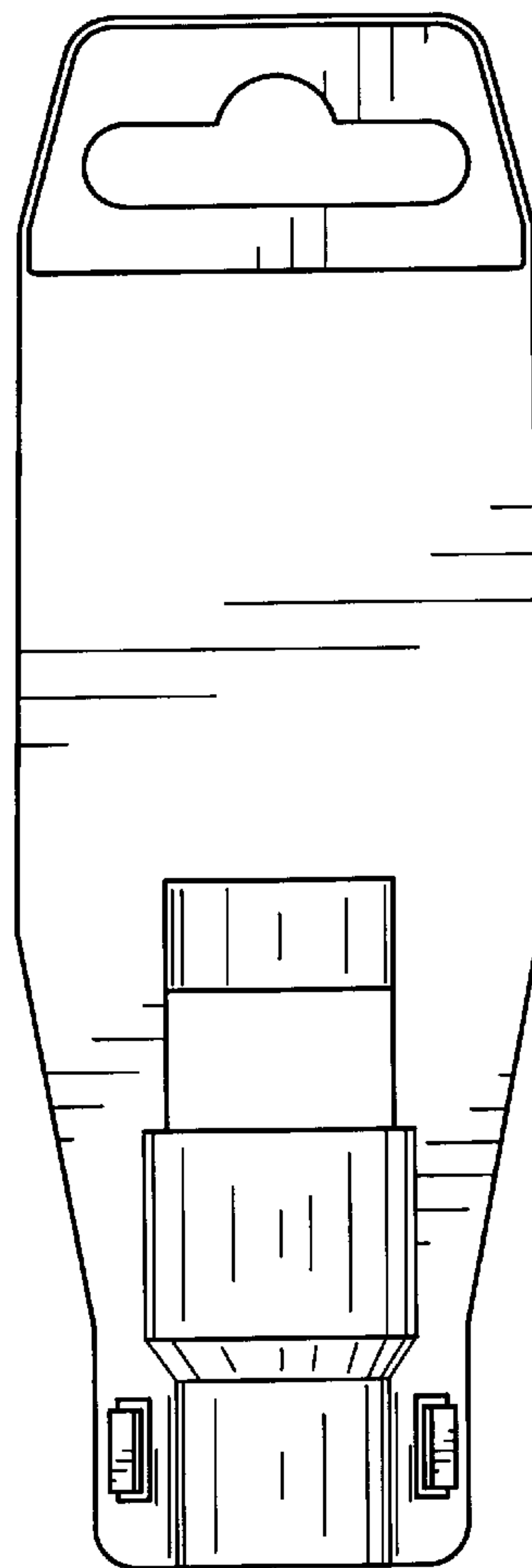
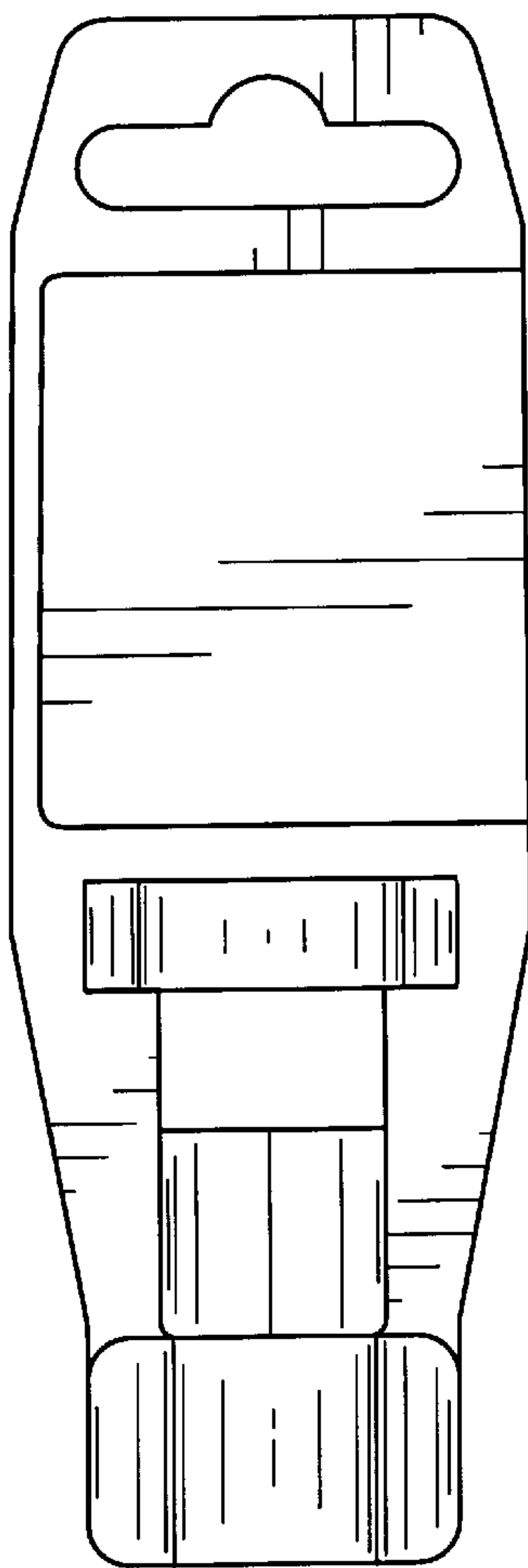
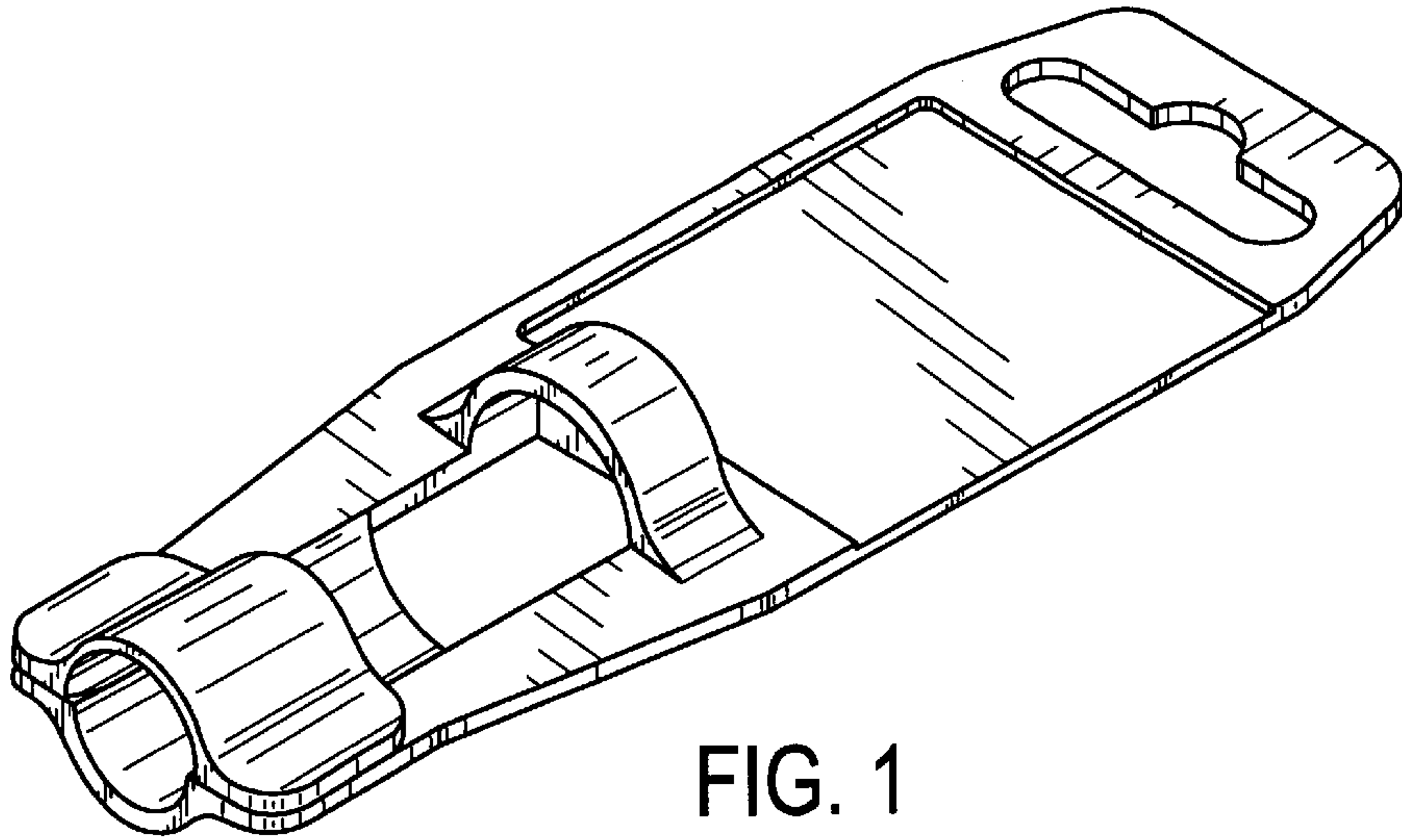
FIG. 12 is an elevational view taken from the other side of the display apparatus of FIG. 8.

FIG. 13 is a front elevational view of the display apparatus of FIG. 8; and,

FIG. 14 is a rear elevational view of the display apparatus of FIG. 8.

**1 Claim, 4 Drawing Sheets**





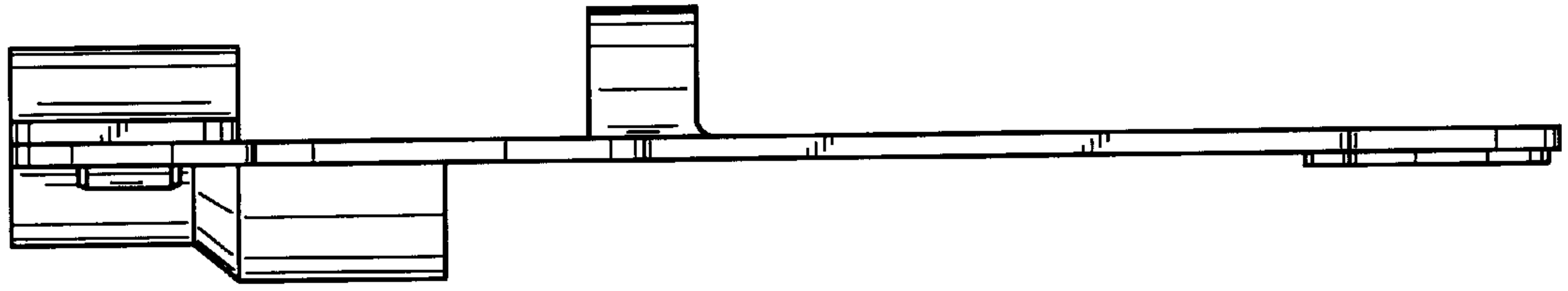


FIG. 4

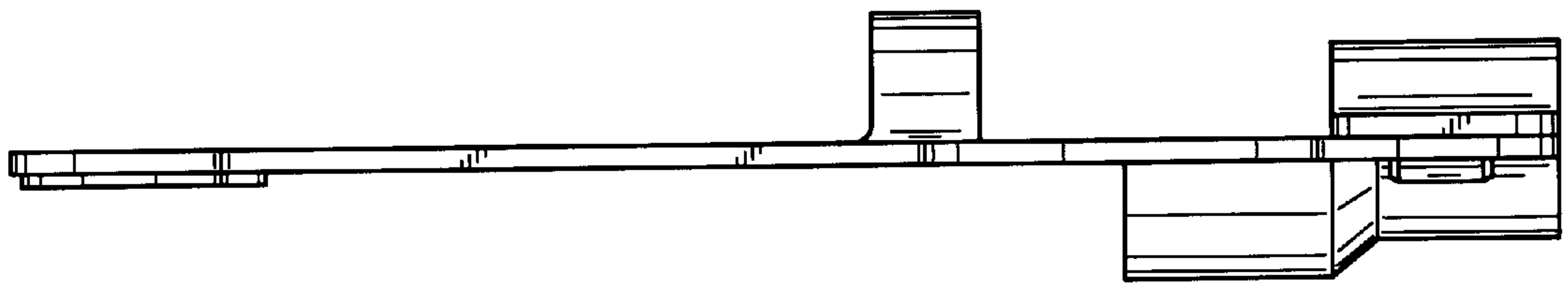


FIG. 5

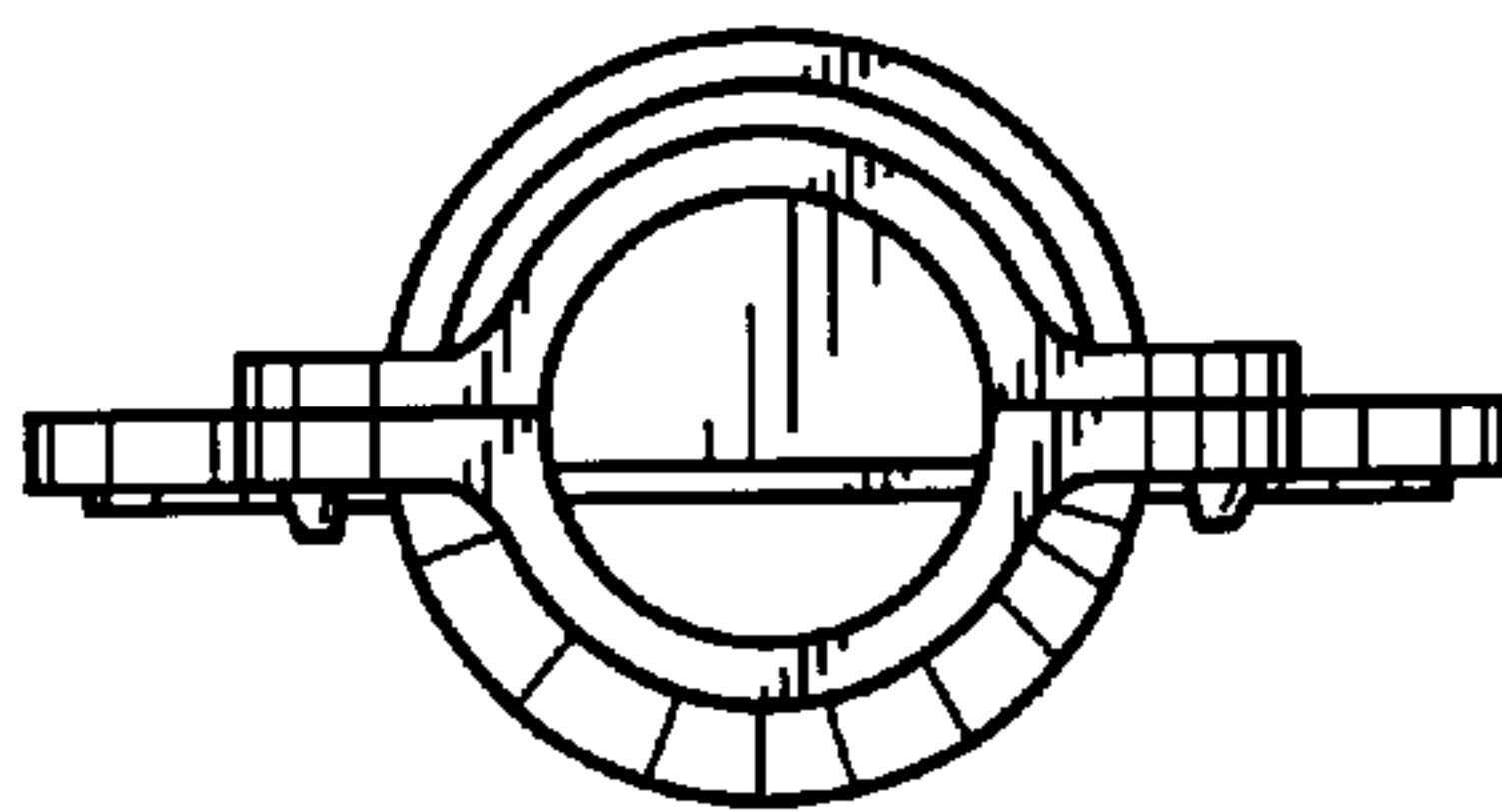


FIG. 6

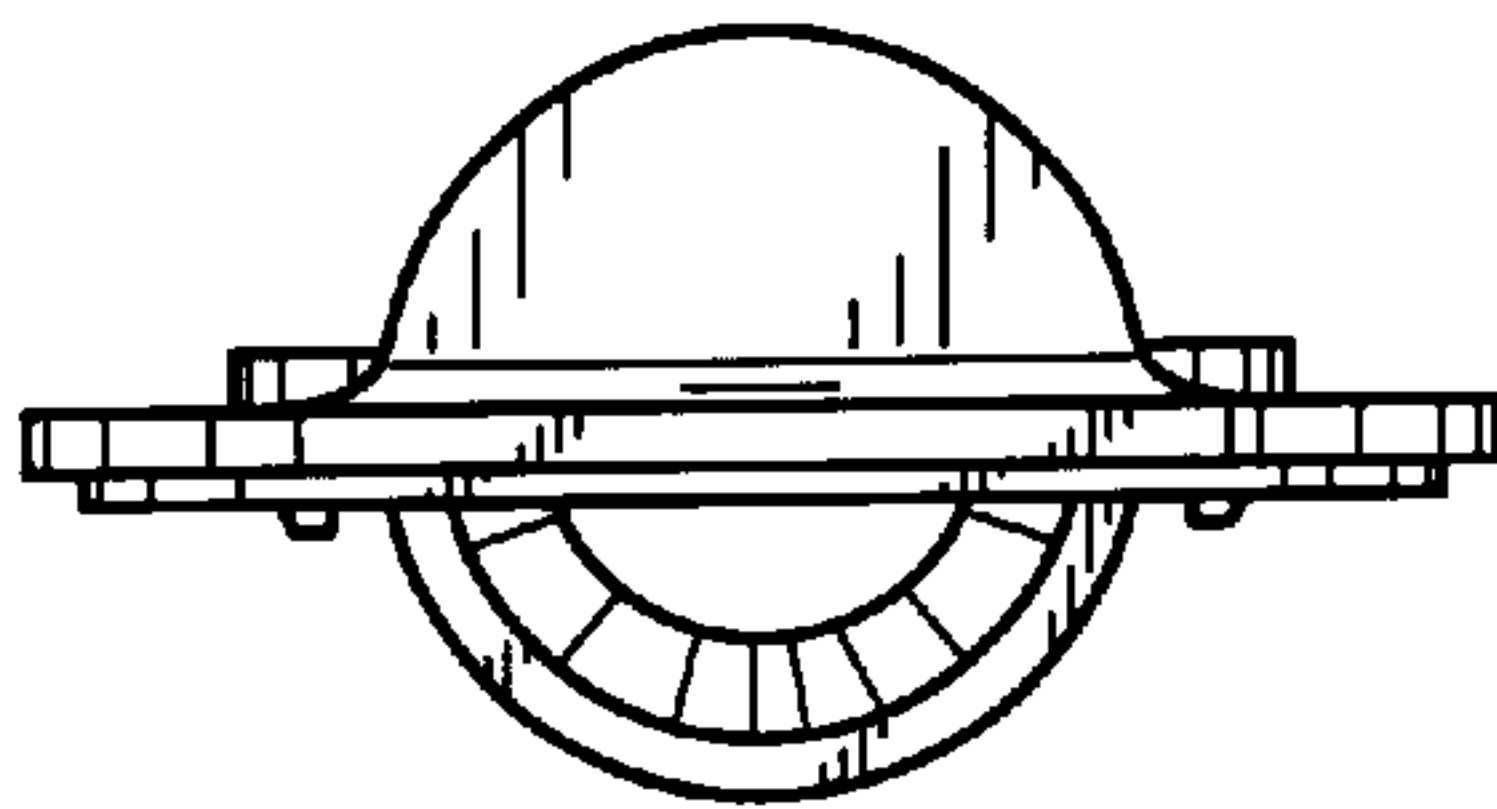


FIG. 7

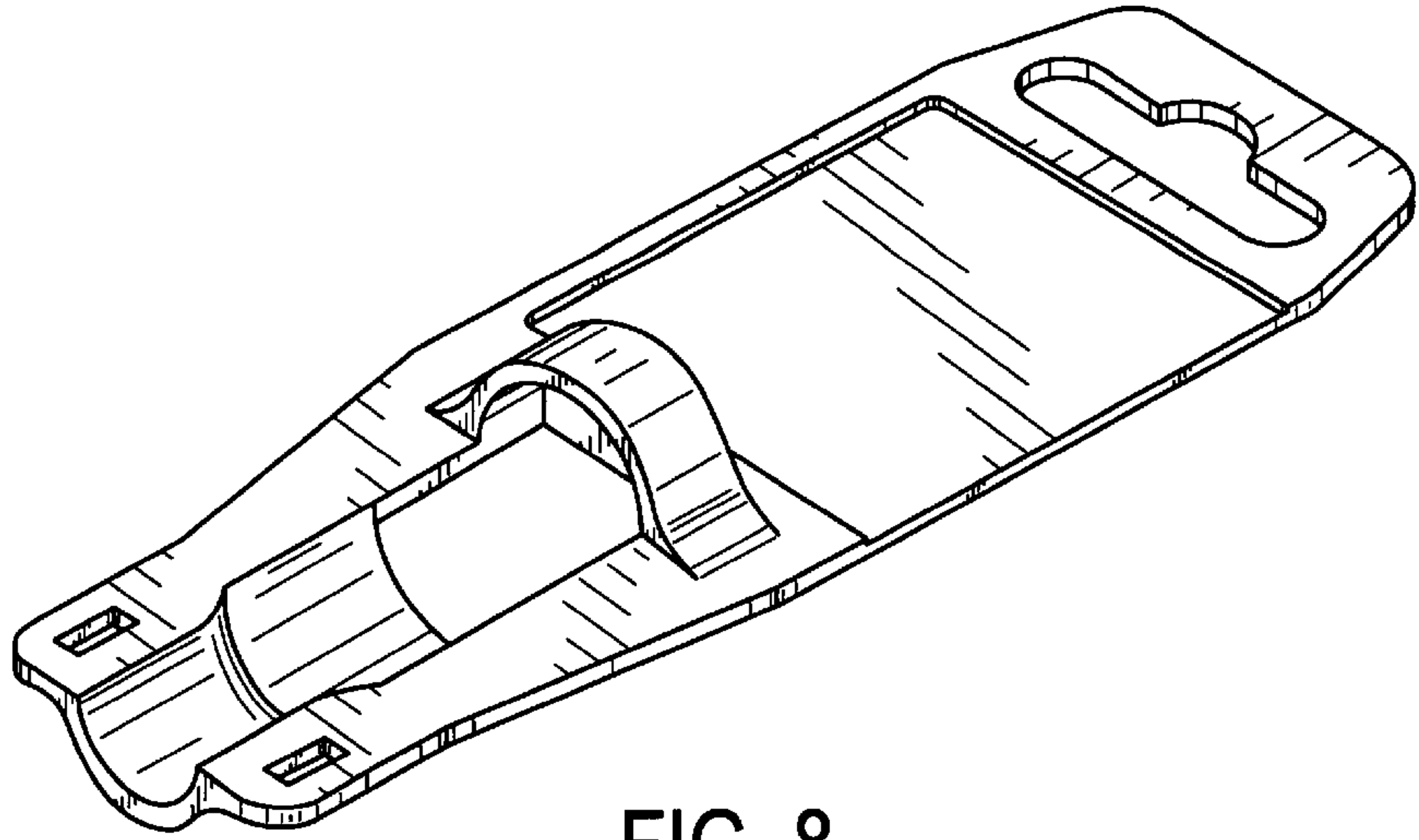


FIG. 8

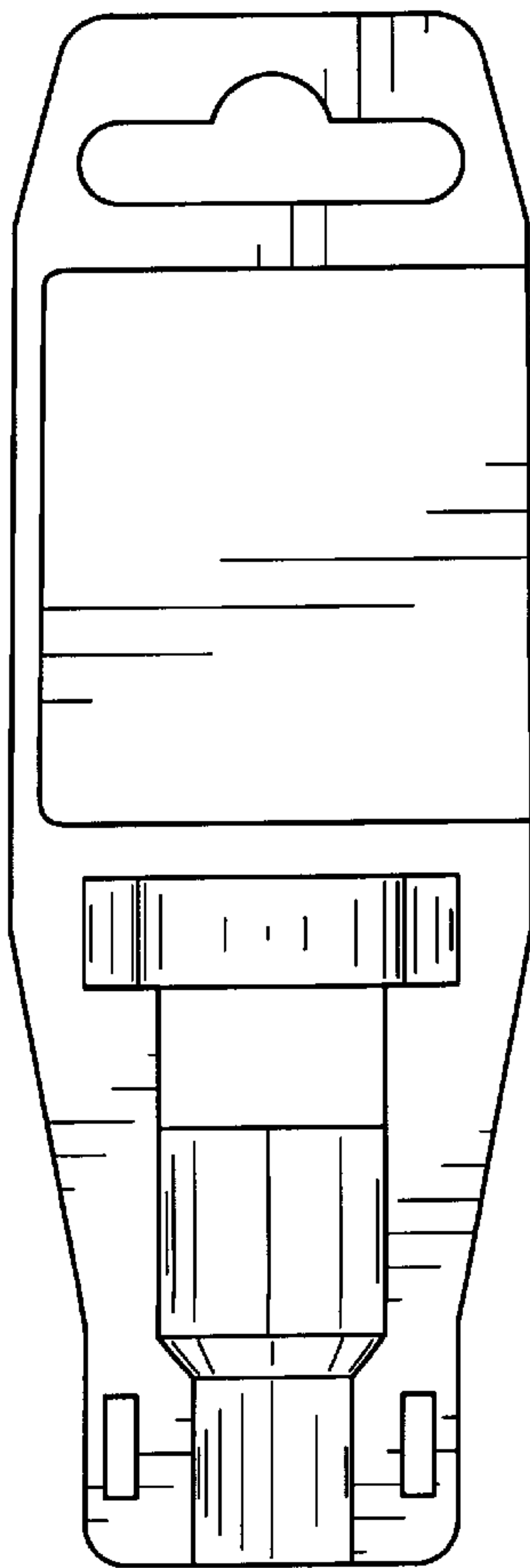


FIG. 9

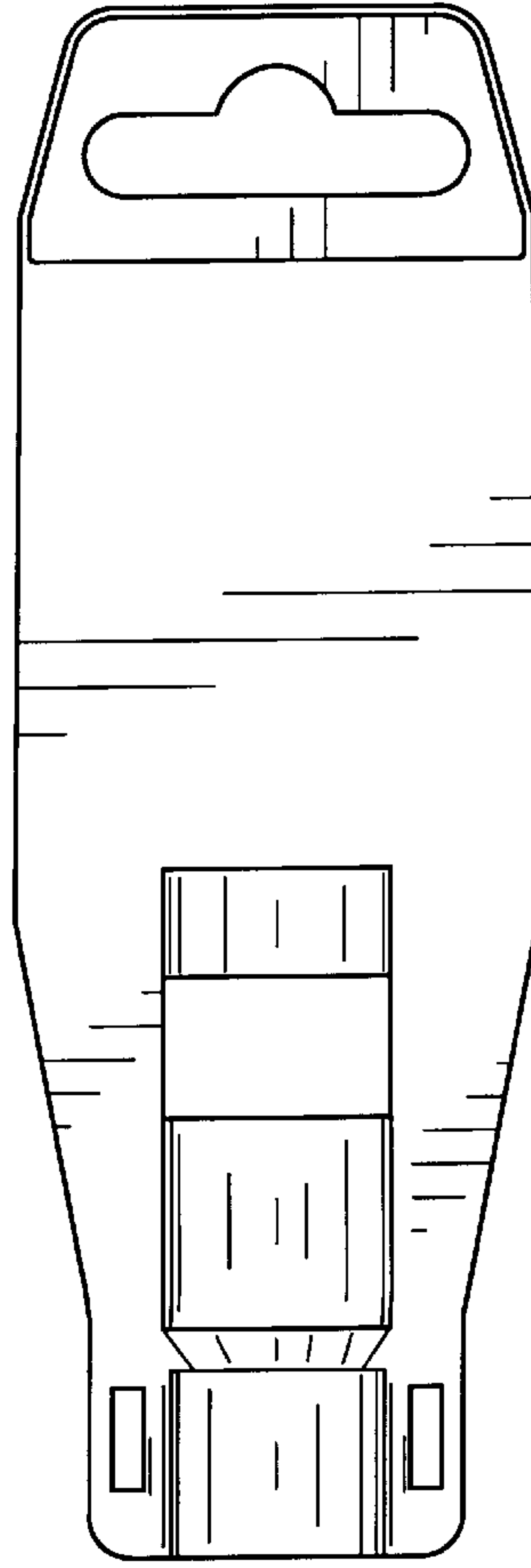


FIG. 10

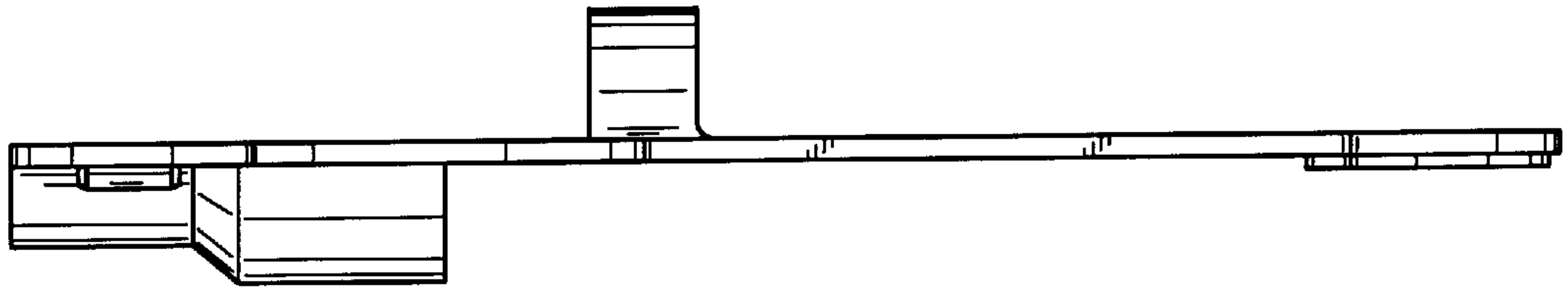


FIG. 11

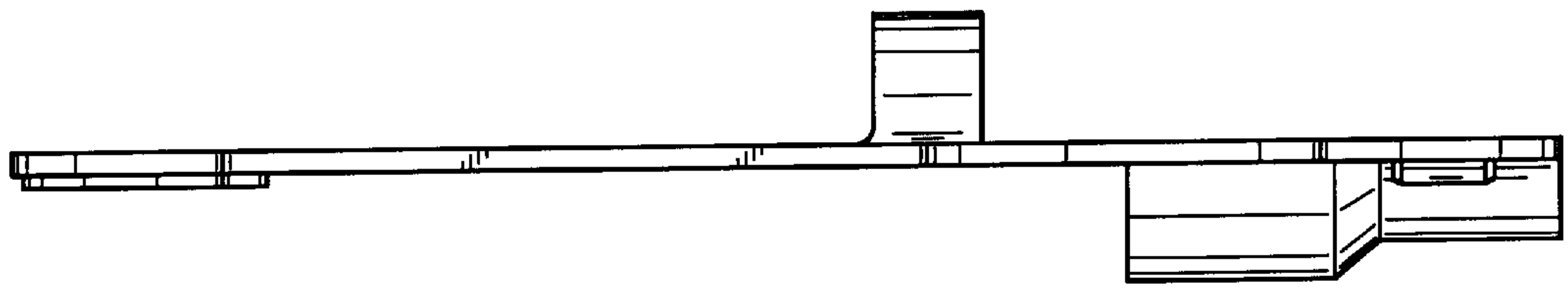


FIG. 12

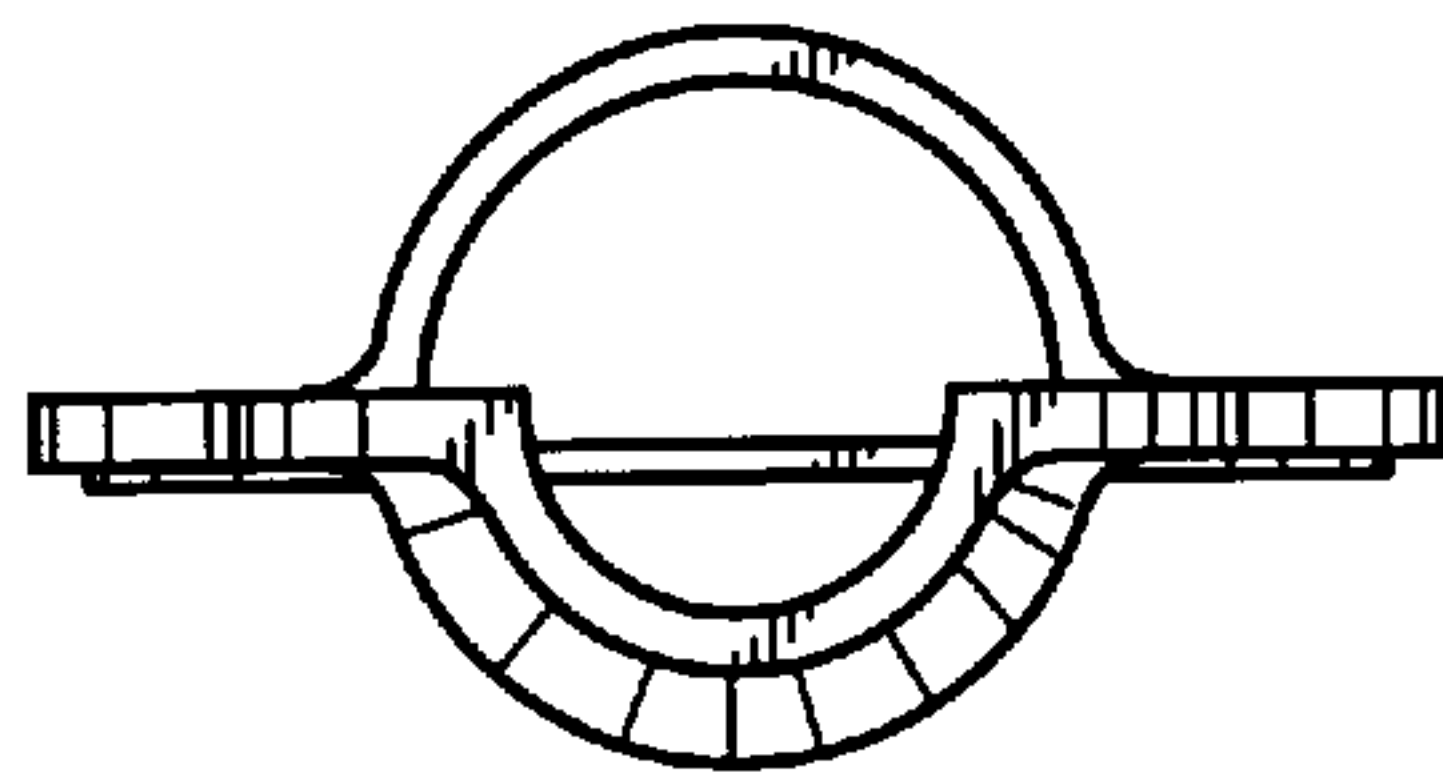


FIG. 13

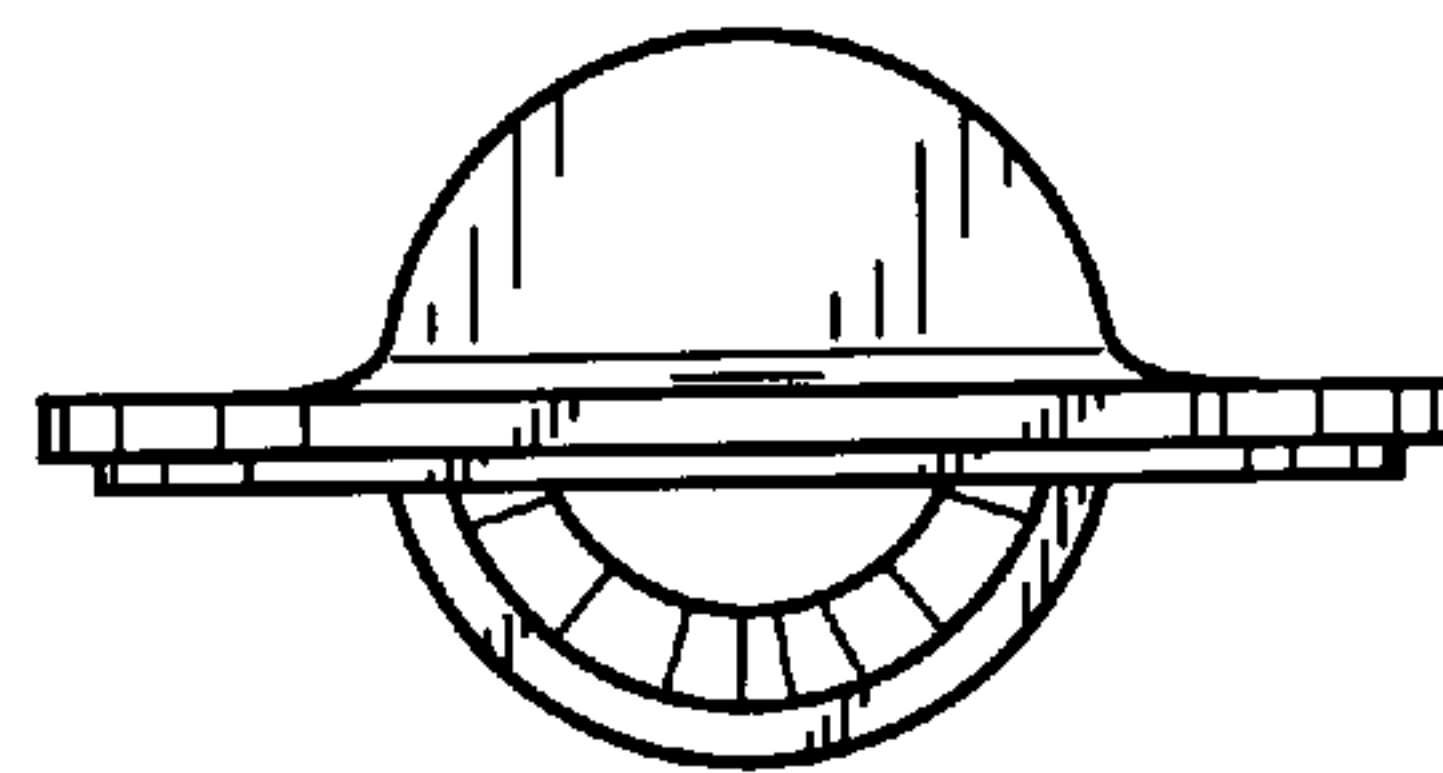


FIG. 14