



US00D431458S

United States Patent [19]

Bried et al.

[11] Patent Number: Des. 431,458

[45] Date of Patent: ** Oct. 3, 2000

[54] CONSUMABLE TABLET CONTAINER

[75] Inventors: David K. Bried, Rockford; Philip M. Baerenwald, Rockton, both of Ill.

[73] Assignee: J. L. Clark, Inc., Rockford, Ill.

[**] Term: 14 Years

[21] Appl. No.: 29/107,635

[22] Filed: Jul. 9, 1999

[51] LOC (7) Cl. 09-03

[52] U.S. Cl. D9/339; D9/414; D9/428

[58] Field of Search D7/392, 596; D9/337-338, D9/341, 414, 416-417, 420, 421, 428, 435, 440, 447, 449, 450, 499, 503, 504, 509, 513, 529, 549; 206/581, 6.1; 220/823, 8, 4.26, 4.27; 229/4.5; D28/78, 82, 88-91

[56] **References Cited**

U.S. PATENT DOCUMENTS

D. 278,602	4/1985	Rosenstein	D9/449
D. 291,411	8/1987	Crawford	D9/447
D. 303,584	9/1989	Bakic	D28/91
D. 350,837	9/1994	Kirby	D28/91
D. 403,470	12/1998	Litton et al.	D28/802
D. 409,086	5/1999	Brown et al.	D9/428
3,659,759	5/1972	Lancaster	D9/449
4,693,399	9/1987	Hickman et al.	222/480
4,898,292	2/1990	VerWyest et al.	215/237
5,085,331	2/1992	Groya et al.	215/245
5,139,181	8/1992	VerWeyst	222/480

Primary Examiner—James Gandy
Assistant Examiner—Carol Rademaker
Attorney, Agent, or Firm—Leydig, Voit & Mayer Ltd.

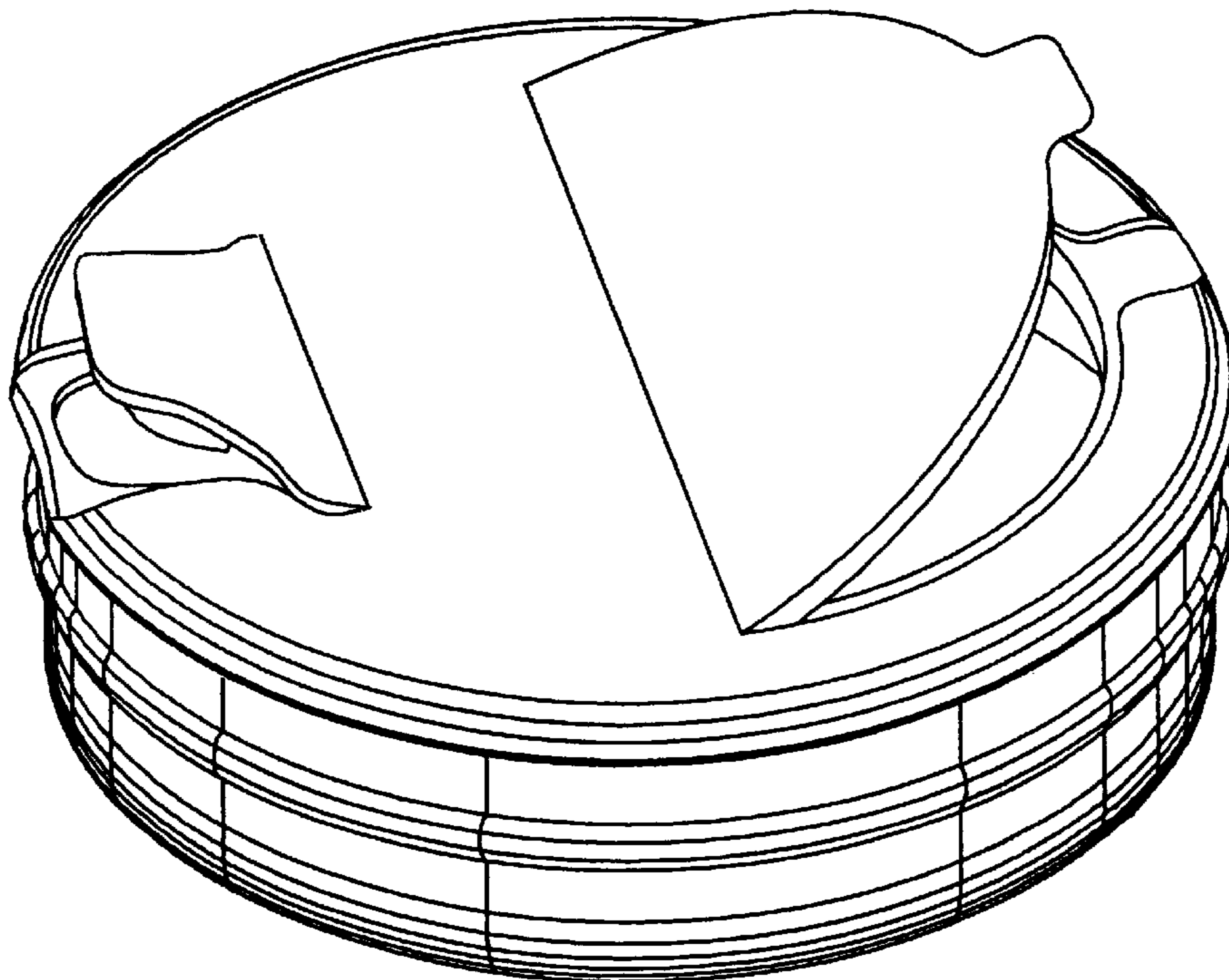
[57] **CLAIM**

The ornamental design for a consumable tablet container, as shown and described.

DESCRIPTION

FIG. 1 is a perspective view showing our new design with the covers in a closed condition;
 FIG. 2 is a perspective view showing our new design with the covers in an open condition;
 FIG. 3 is a side elevational view thereof, on a reduced scale, as seen from the left side of FIG. 1;
 FIG. 4 is a top plan view thereof, on a reduced scale;
 FIG. 5 is a side elevational view thereof, on a reduced scale, as seen from the right side of FIG. 1;
 FIG. 6 is a bottom view thereof, on a reduced scale;
 FIG. 7 is a front elevational view thereof, on a reduced scale, the rear elevational view being a mirror image;
 FIG. 8 is an elevational view, on a reduced scale, as seen from the rear of FIG. 2;
 FIG. 9 is an elevational view thereof, on a reduced scale, as seen from the front of FIG. 2;
 FIG. 10 is a side elevational view thereof, as seen from the right side of FIG. 2; and,
 FIG. 11 is a side elevational view thereof, as seen from the left of FIG. 2.

1 Claim, 3 Drawing Sheets



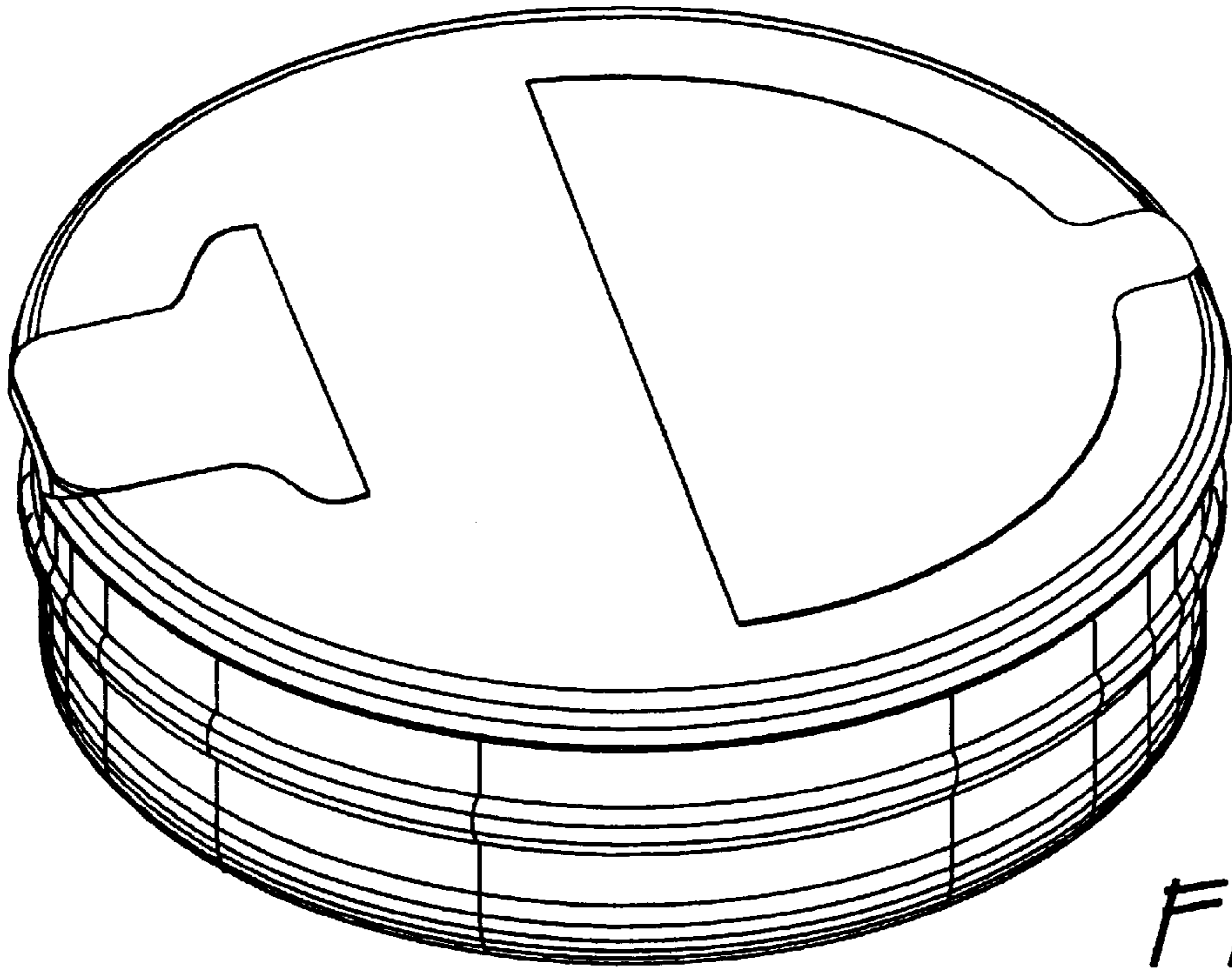


Fig. 1

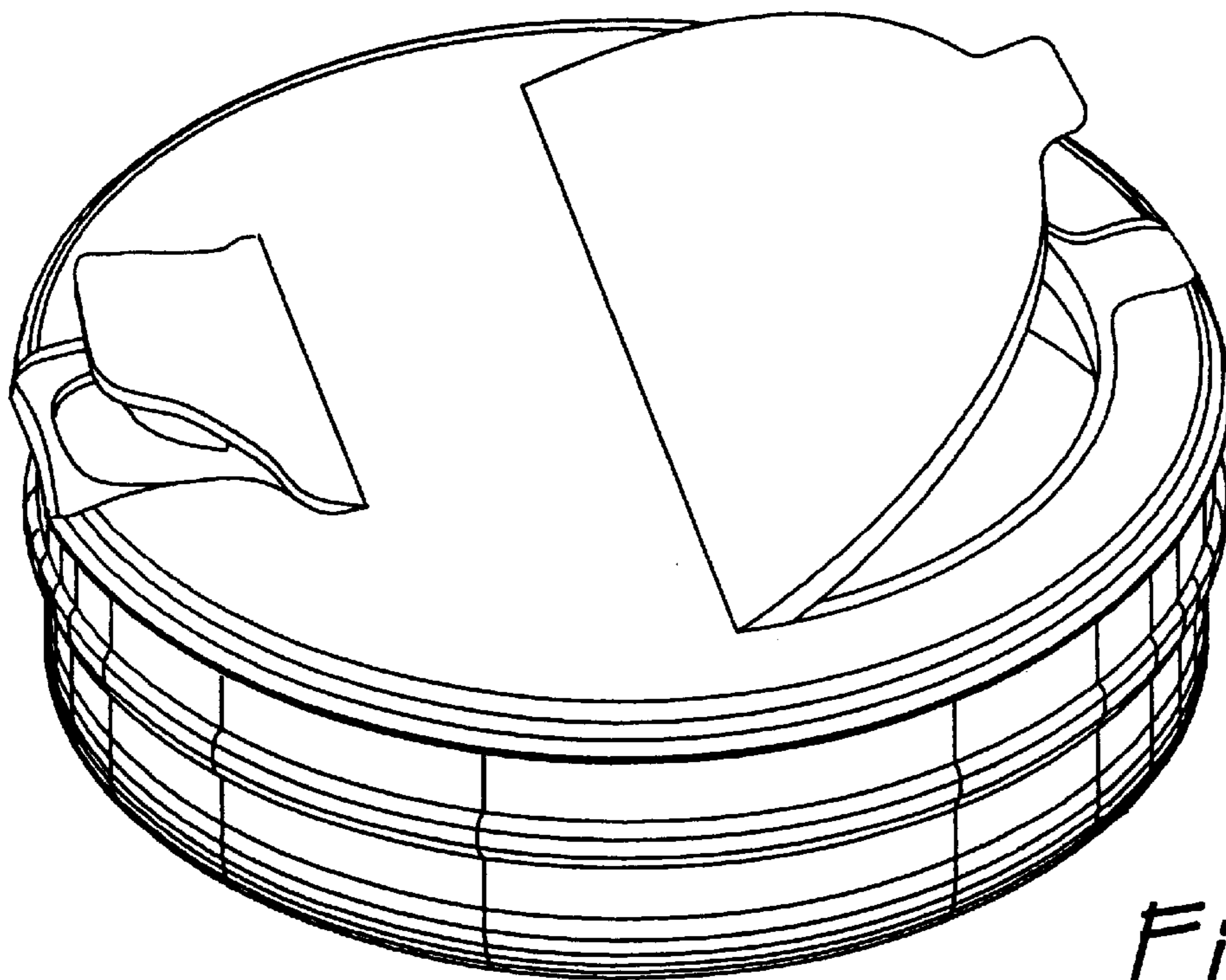


Fig. 2

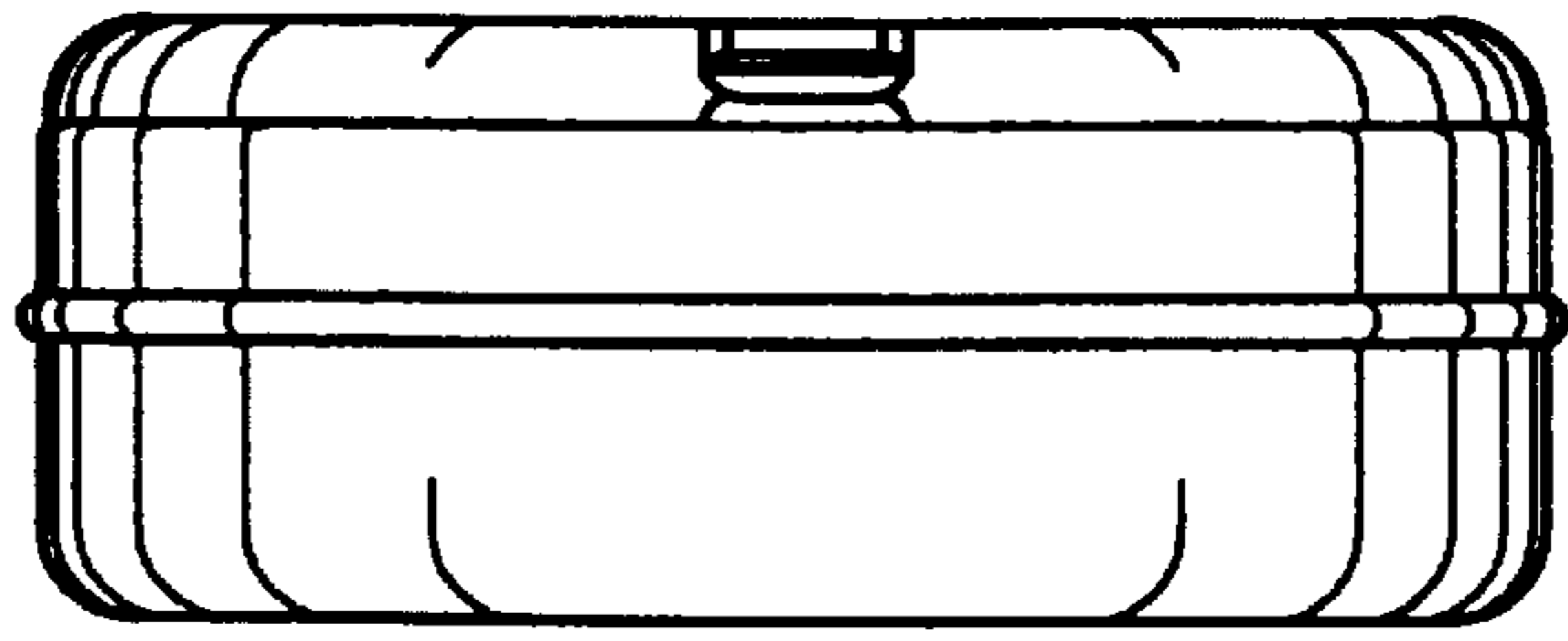


Fig. 3

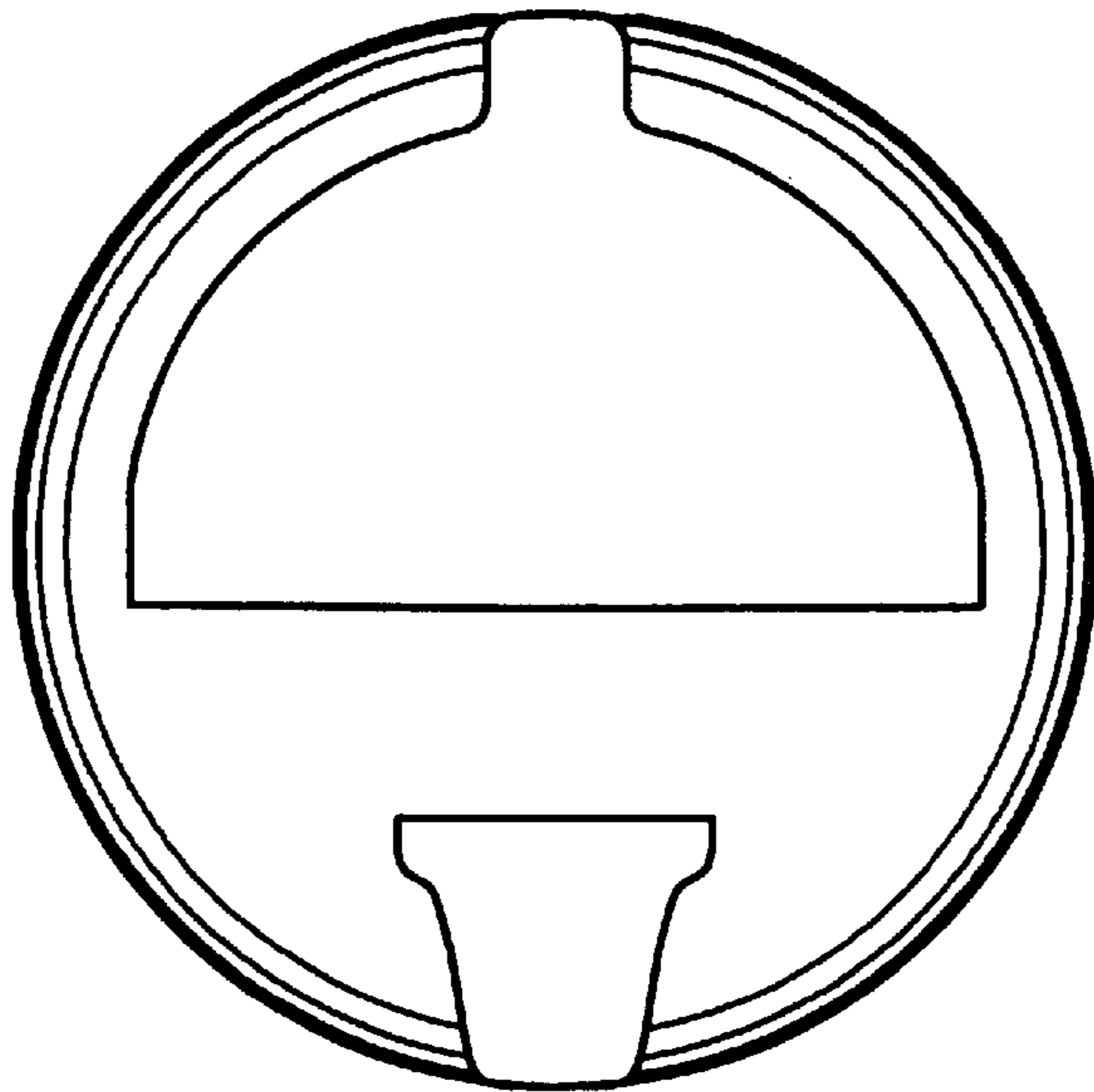


Fig. 4

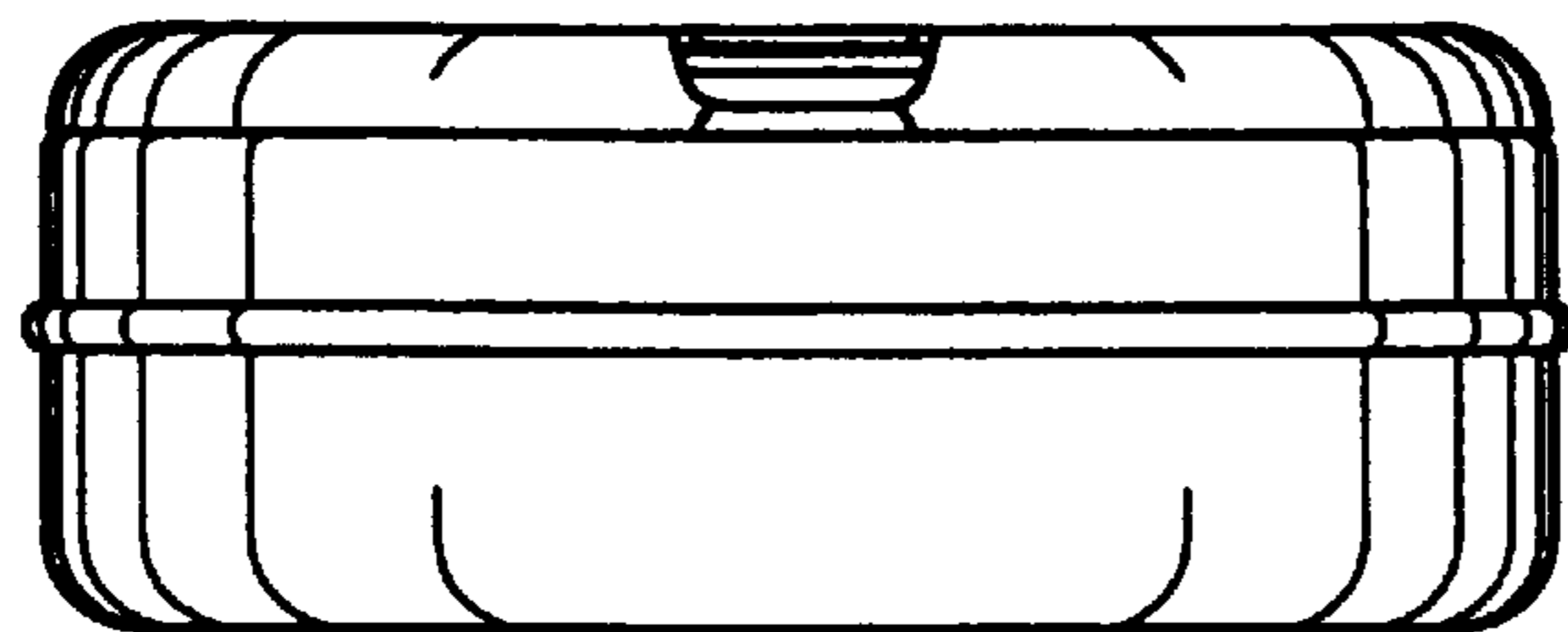


Fig. 5

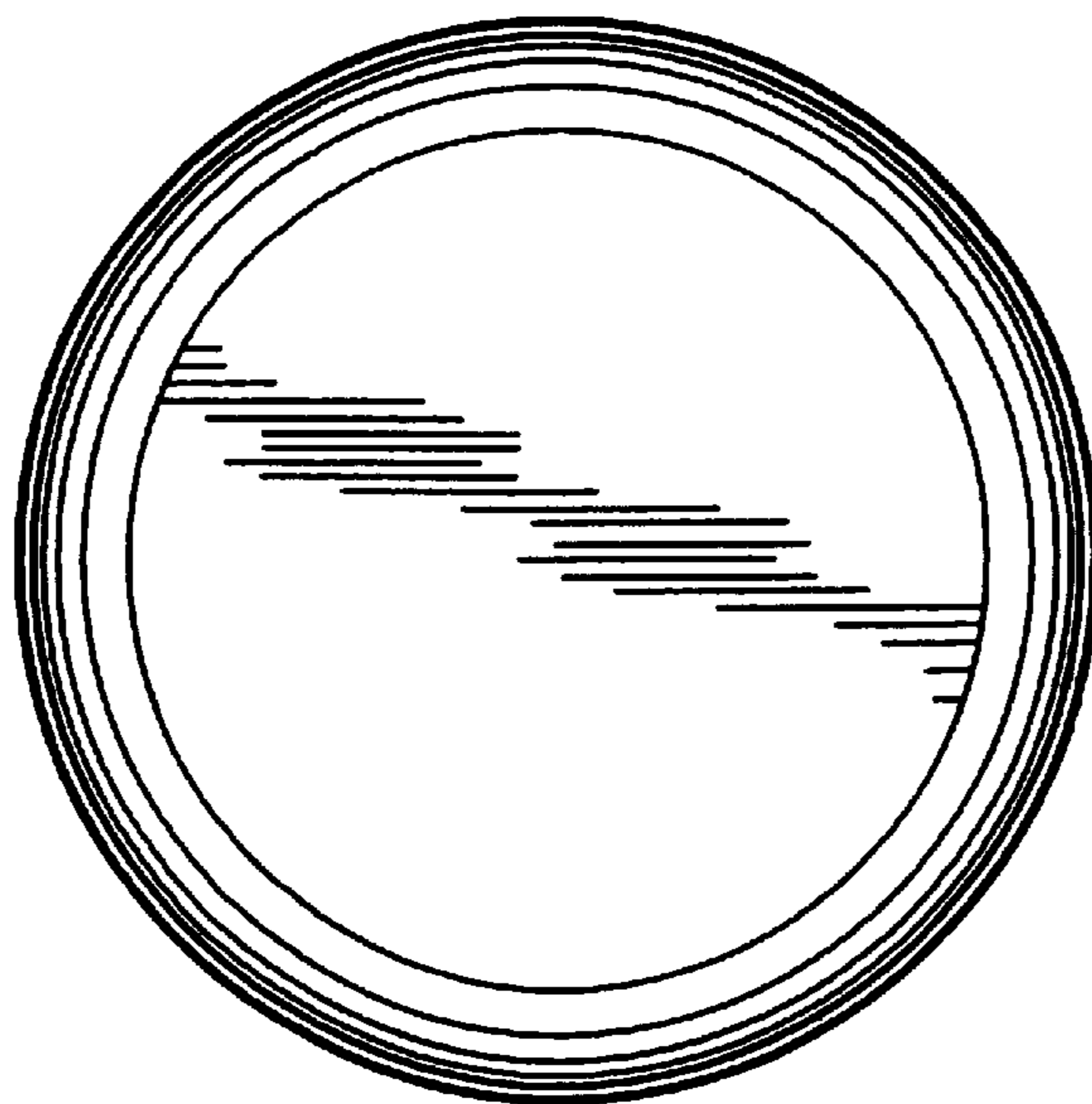


Fig. 6

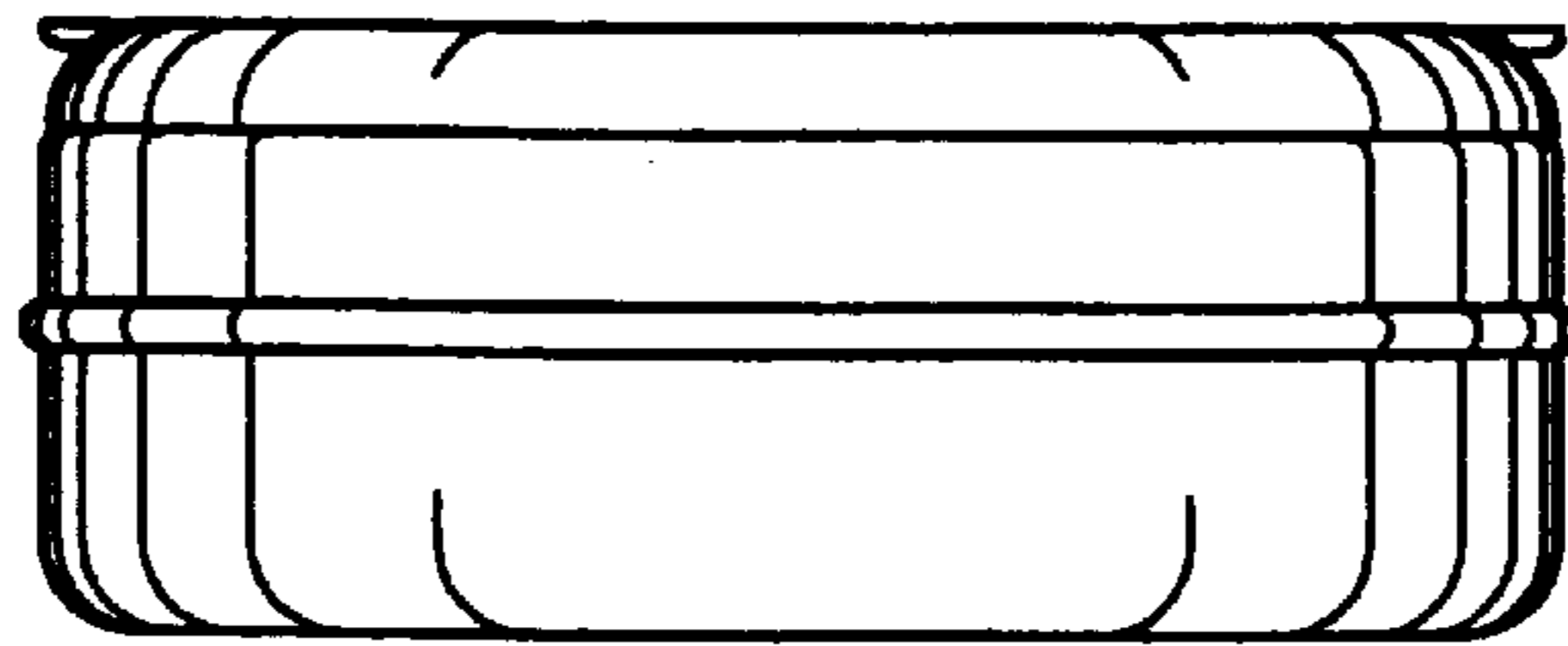


Fig. 7

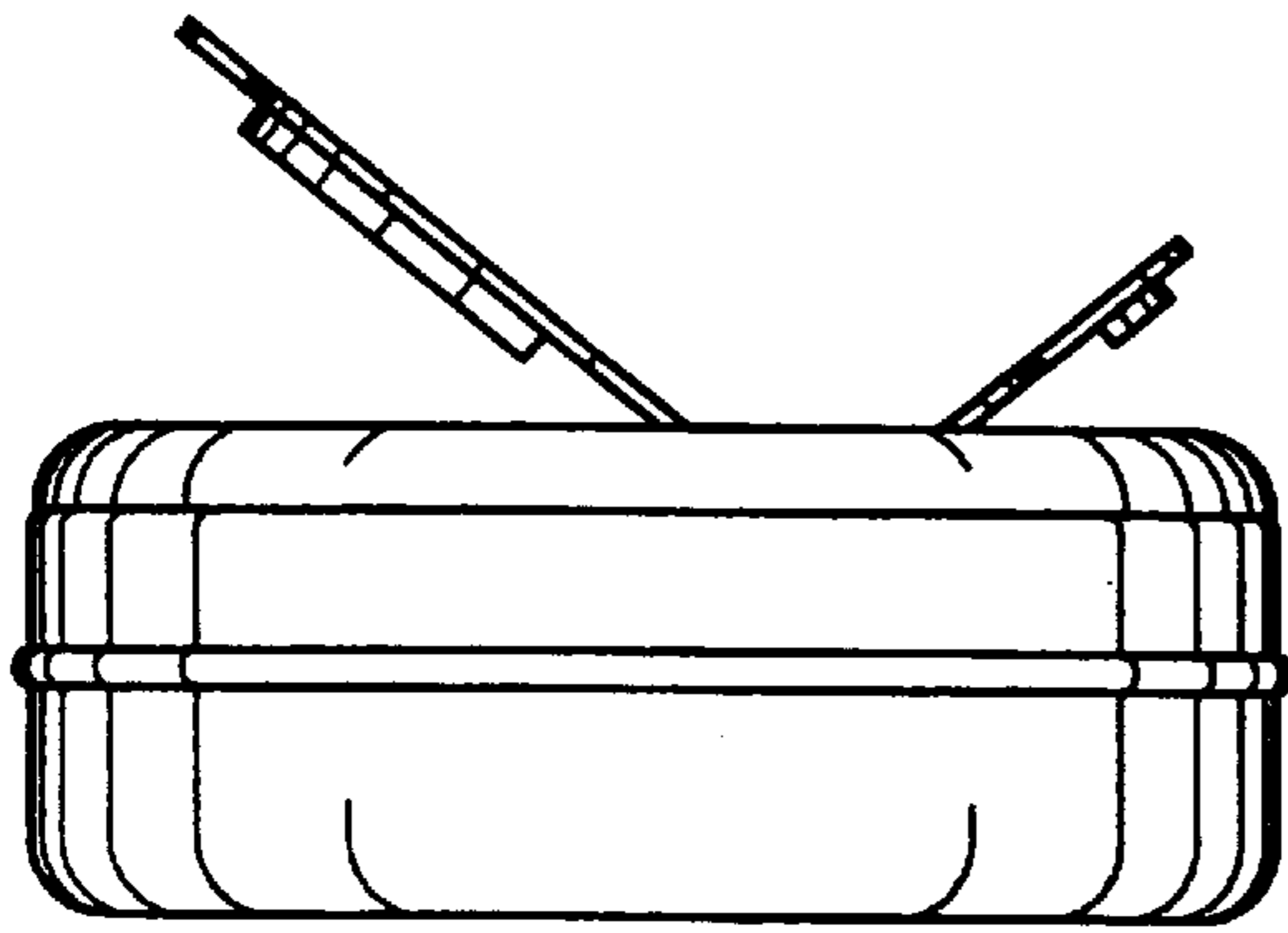


Fig. 8

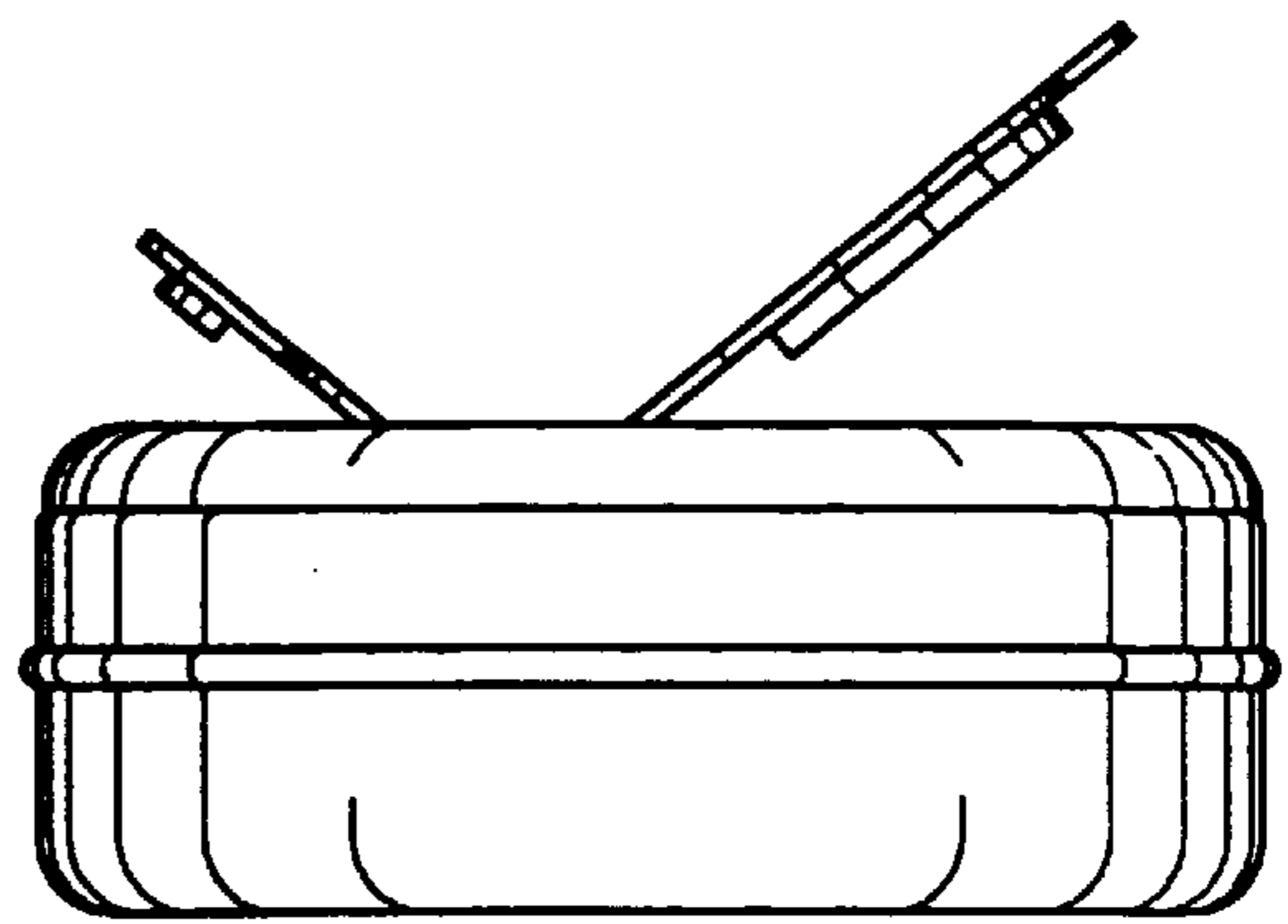


Fig. 9

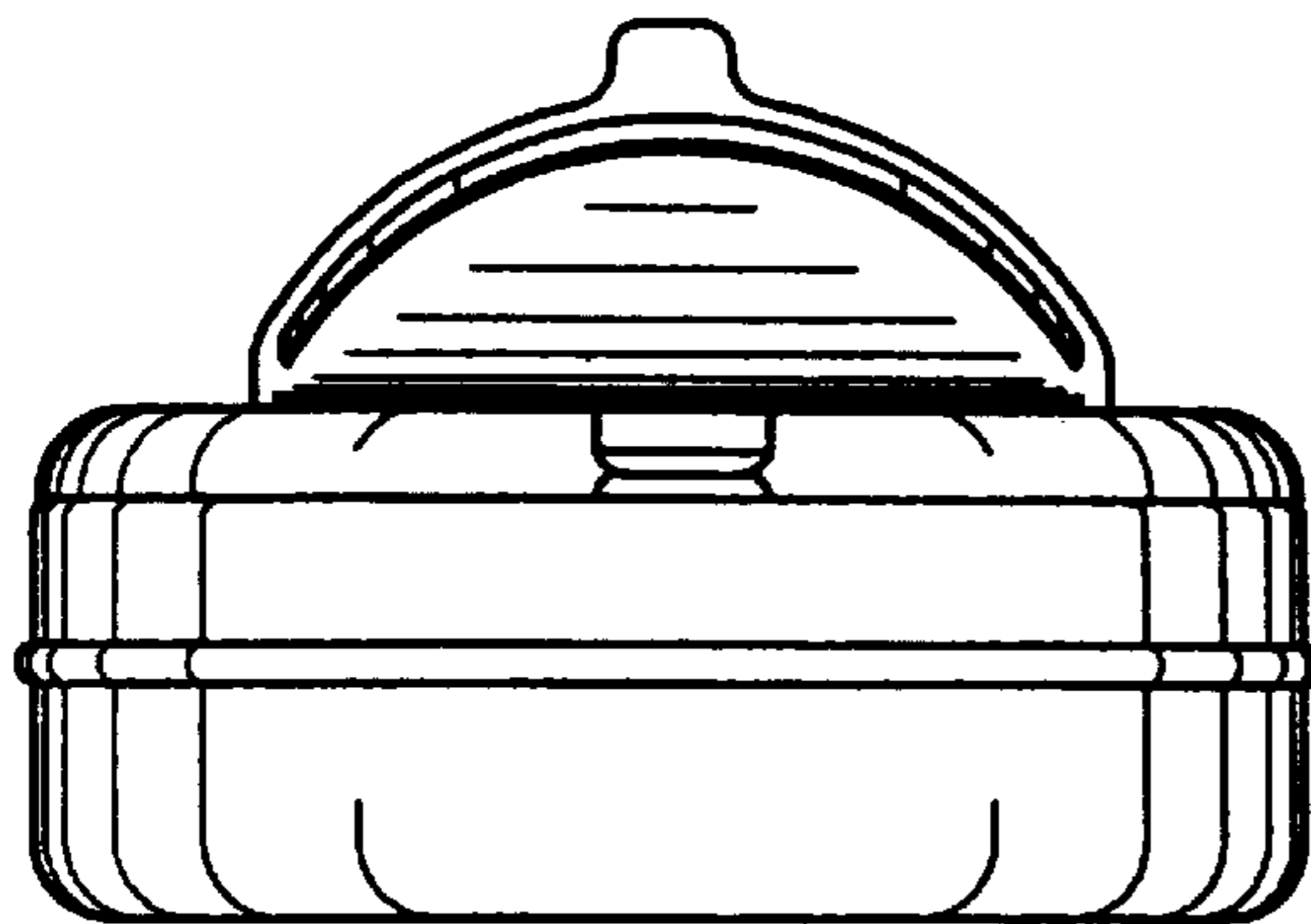


Fig. 10

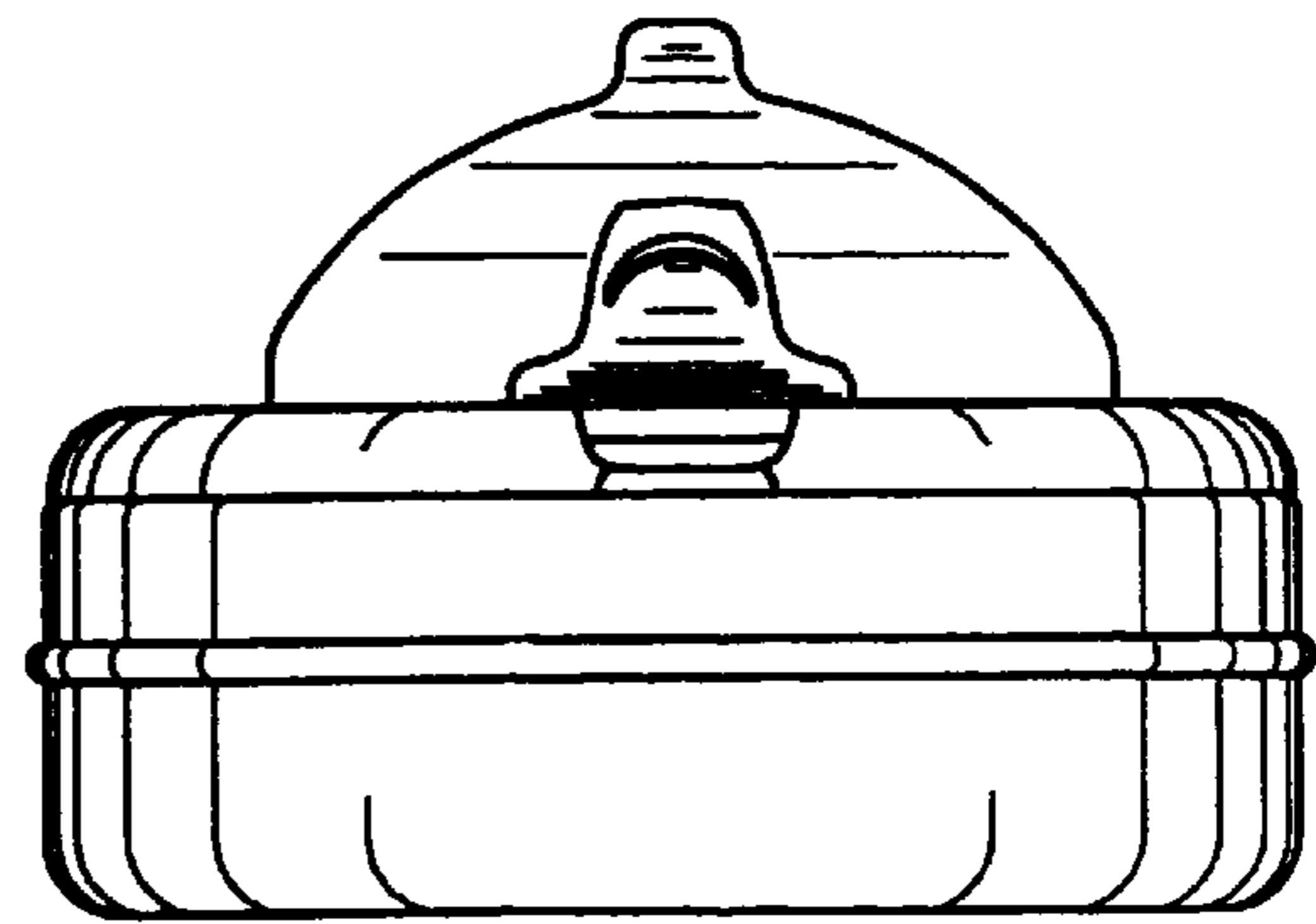


Fig. 11