



US00D431453S

United States Patent [19] Chan

[11] Patent Number: Des. 431,453

[45] Date of Patent: ** Oct. 3, 2000

[54] MAGNETIC CLASP FOR HANDBAG

[75] Inventor: Yu Kit Chan, Kwai Chung, China

[73] Assignee: Kit Hart Metal Manufactory Limited,
Kwai Chung, China

[**] Term: 14 Years

[21] Appl. No.: 29/096,889

[22] Filed: Nov. 23, 1998

[51] LOC (7) Cl. 08-08

[52] U.S. Cl. D8/382; D11/220

[58] Field of Search D11/200, 205-220,
D11/231, 222; D8/382, 349, 354, 373;
292/251.5; 63/29.2; 24/90.1, 94, 303, 688;
D3/243, 324

[56] **References Cited**

U.S. PATENT DOCUMENTS

D. 403,952	1/1999	Podell	D8/382
D. 404,997	2/1999	Podell	D8/382
D. 412,865	8/1999	Aoki	D11/231
4,453,294	6/1984	Morita	24/303
4,480,361	11/1984	Morita	24/303
5,722,126	3/1998	Reiter	24/303

Primary Examiner—Louis S. Zarfes
Assistant Examiner—Catherine R. Oliver
Attorney, Agent, or Firm—Alix, Yale & Ristas, LLP

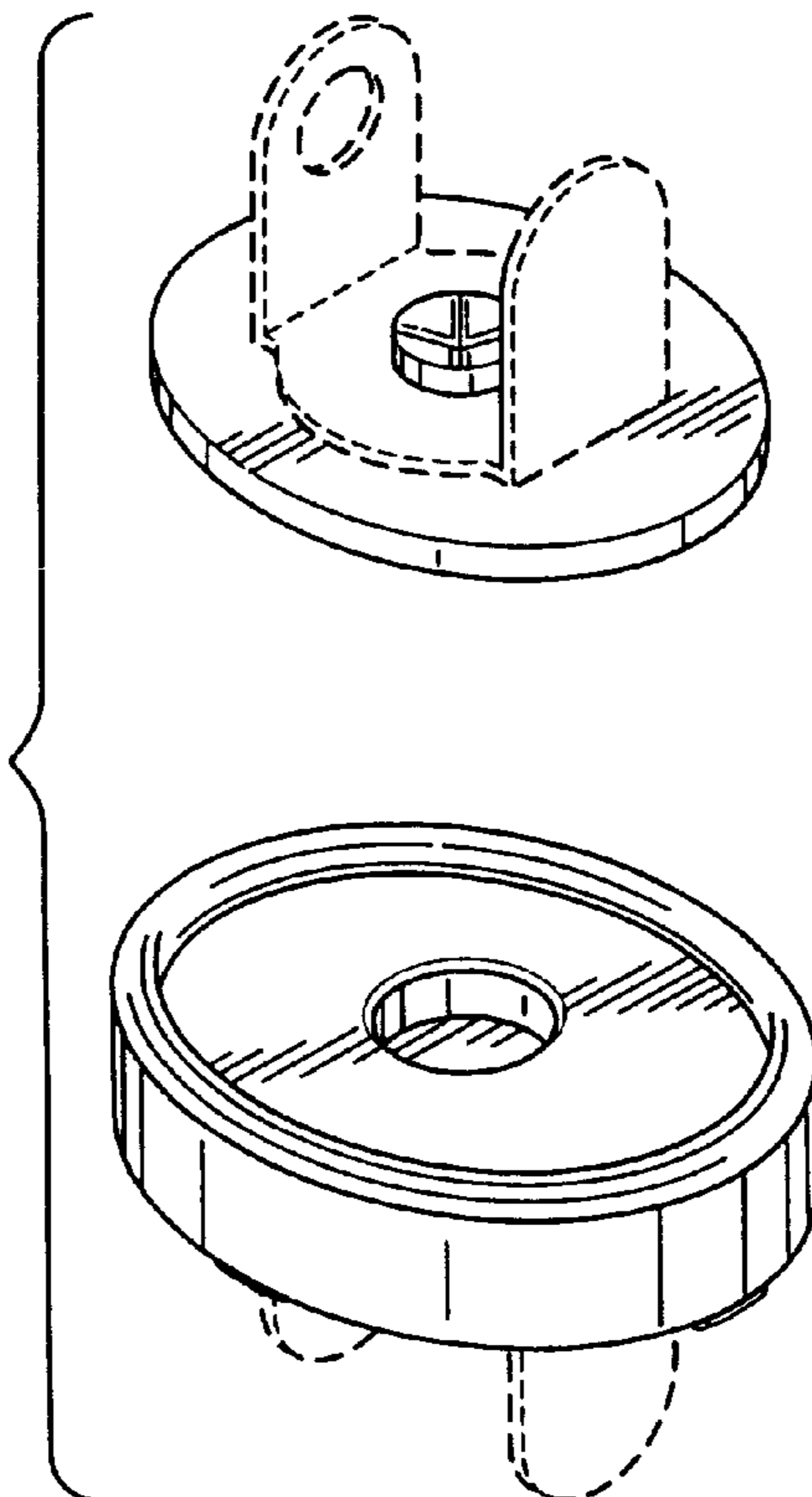
[57] **CLAIM**

The ornamental design for a magnetic clasp for handbag, as shown and described.

DESCRIPTION

FIG. 1 is a front perspective view from above of the magnetic clasp for handbag showing my new design; FIG. 2 is a front perspective view from above of the magnetic clasp for handbag of FIG. 1 showing the clasp in separated form; FIG. 3 is a front perspective view from below of the magnetic clasp for handbag of FIG. 1; FIG. 4 is a front perspective view from below of the magnetic clasp for handbag of FIG. 1 showing the clasp in separated form; FIG. 5 is a front view of the magnetic clasp for handbag of FIG. 1; FIG. 6 is a rear view of the magnetic clasp for handbag of FIG. 1; FIG. 7 is a left side view of the magnetic clasp for handbag of FIG. 1; FIG. 8 is a right side view of the magnetic clasp for handbag of FIG. 1; FIG. 9 is a top plan view of the magnetic clasp for handbag of FIG. 1; and, FIG. 10 is a bottom plan view of the magnetic clasp for handbag of FIG. 1. The portions shown in broken lines form no part of the ornamental design.

1 Claim, 2 Drawing Sheets



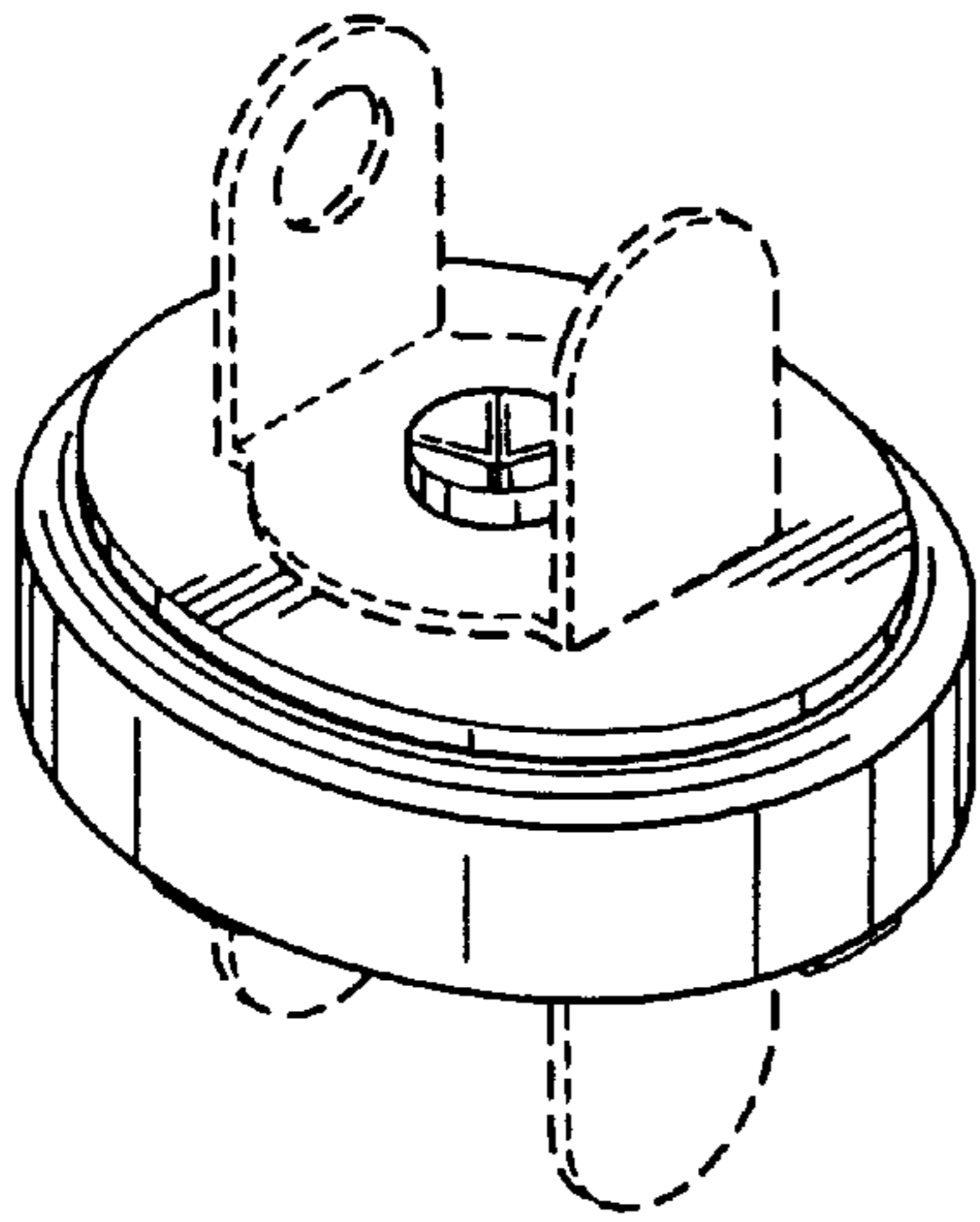


FIG. 1

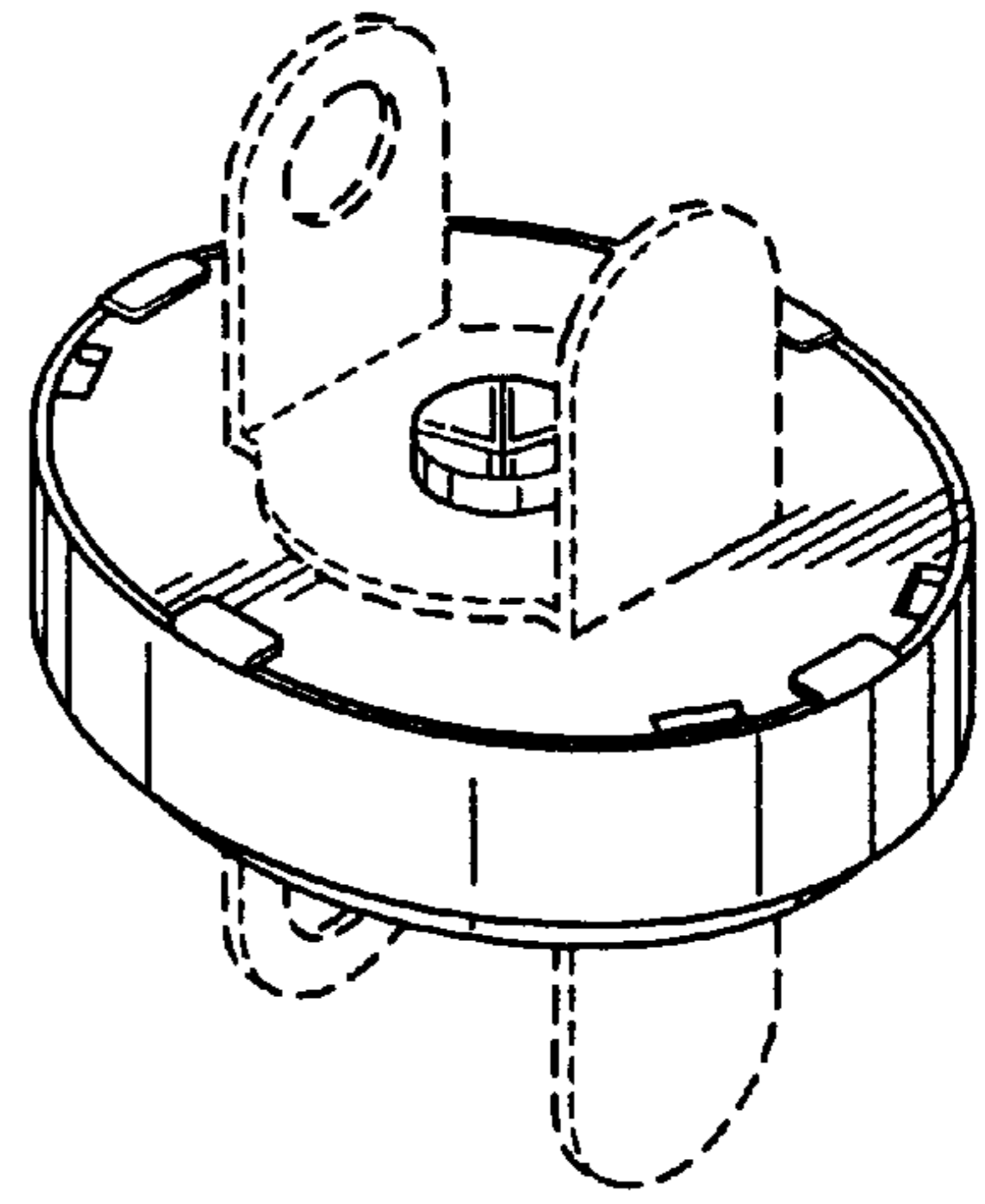


FIG. 3

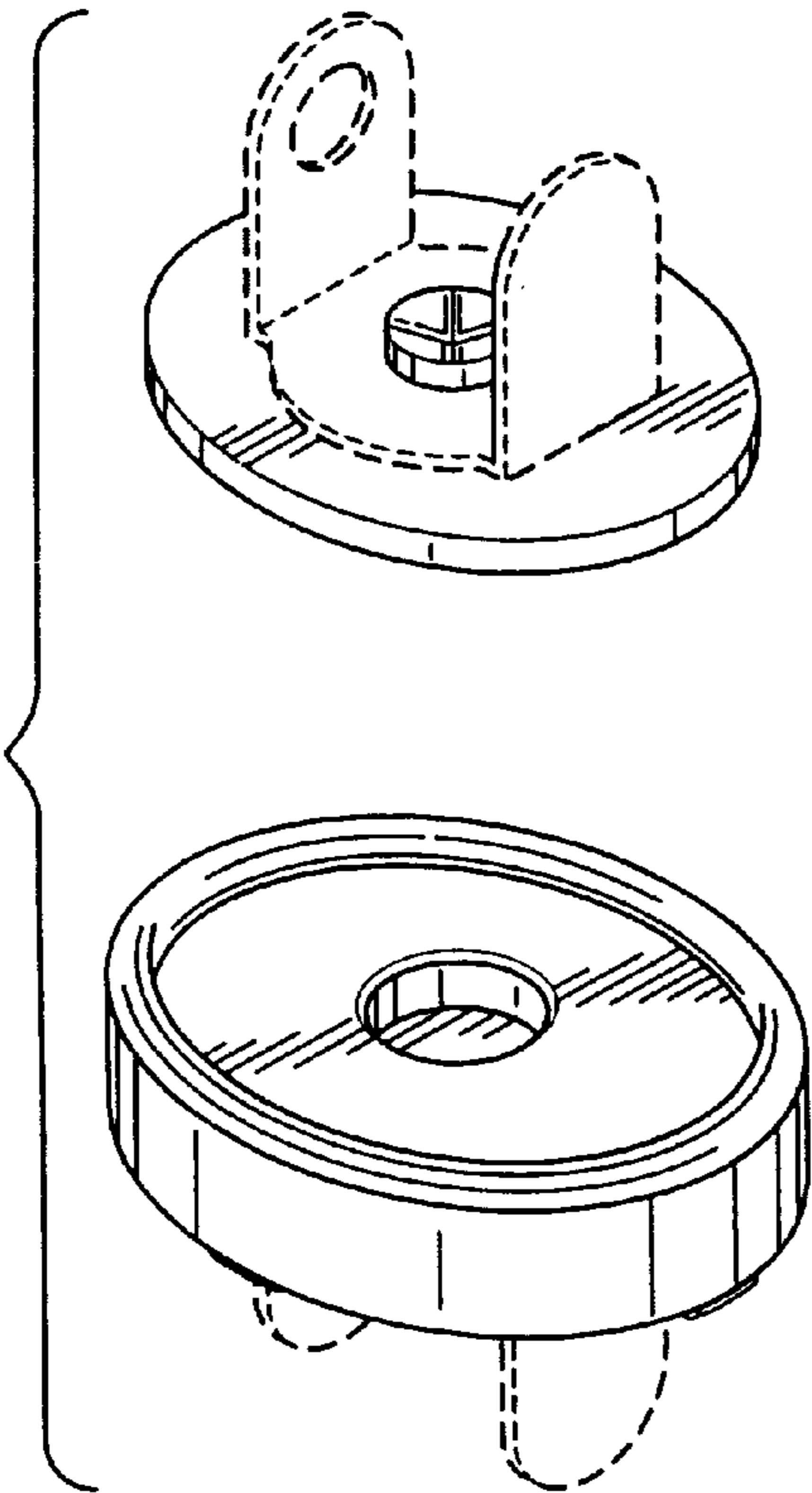


FIG. 2

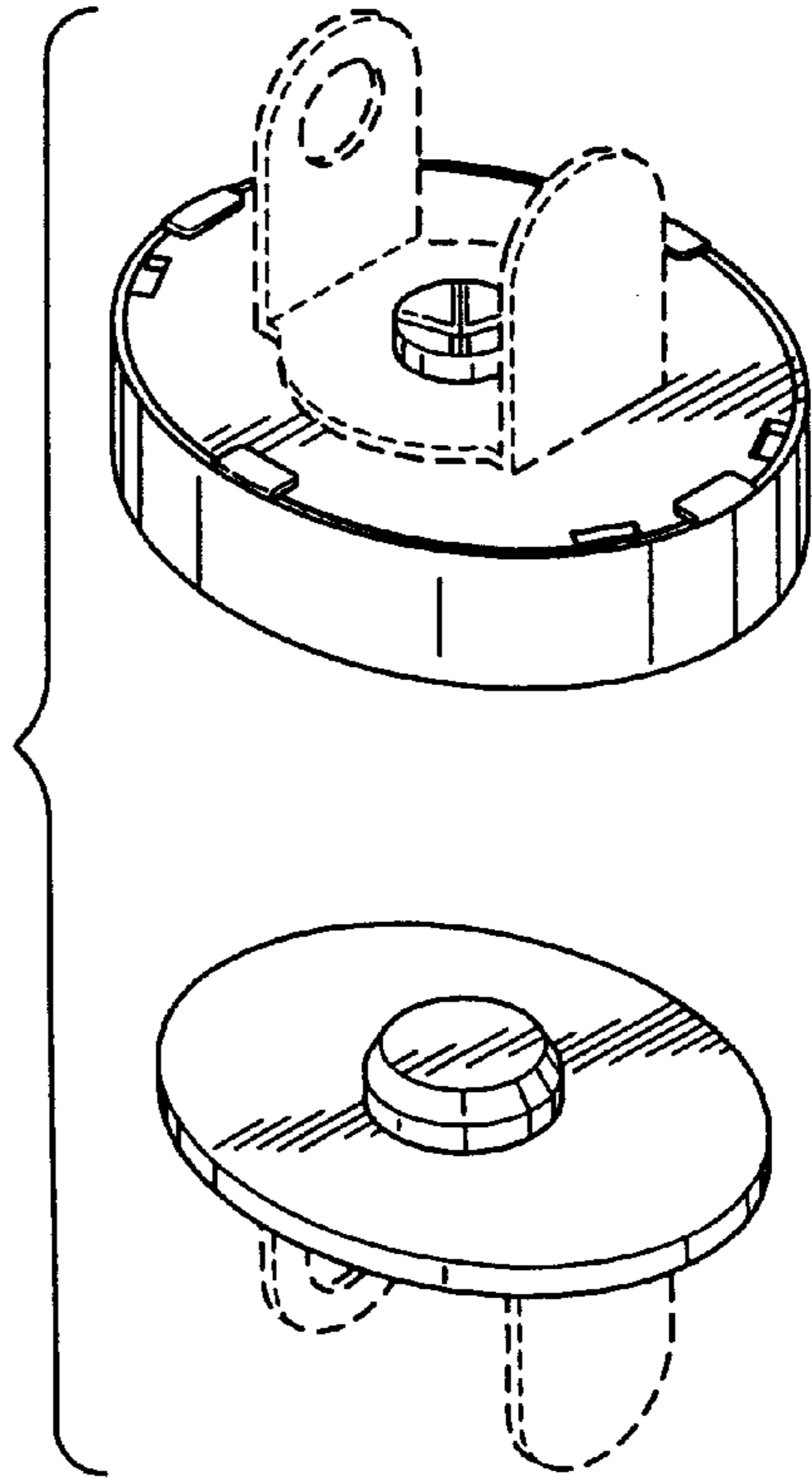


FIG. 4

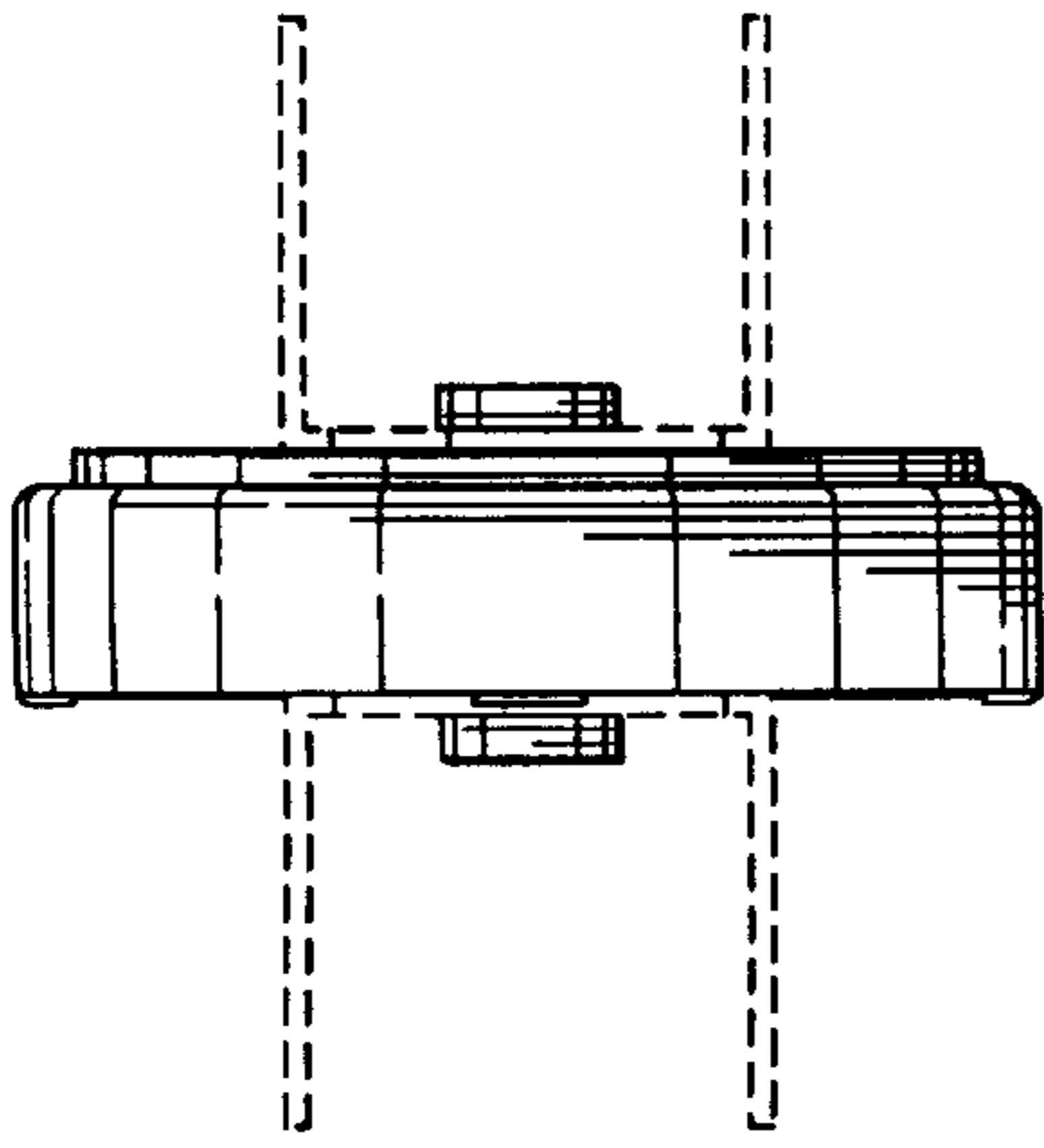


FIG. 5

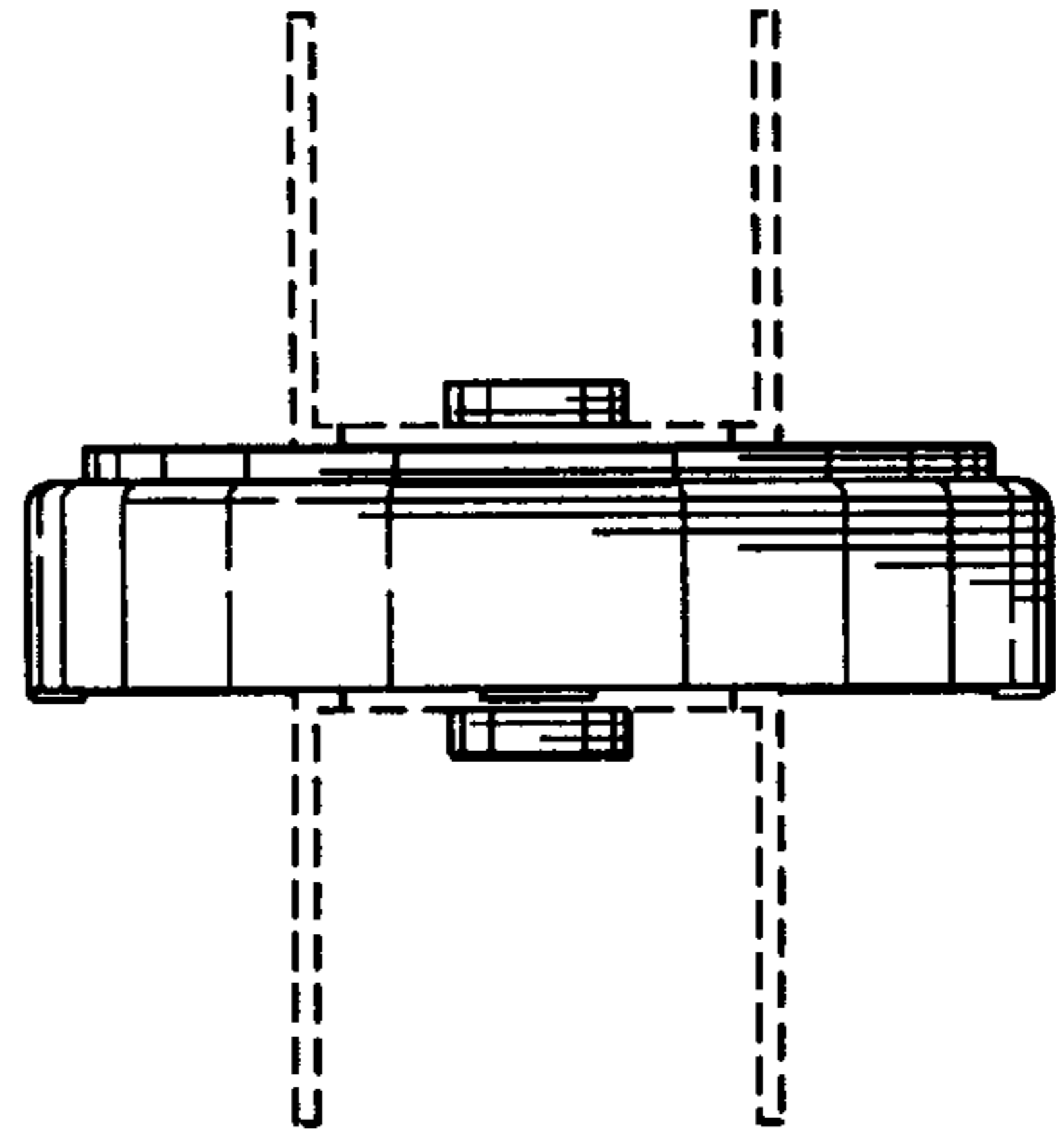


FIG. 6

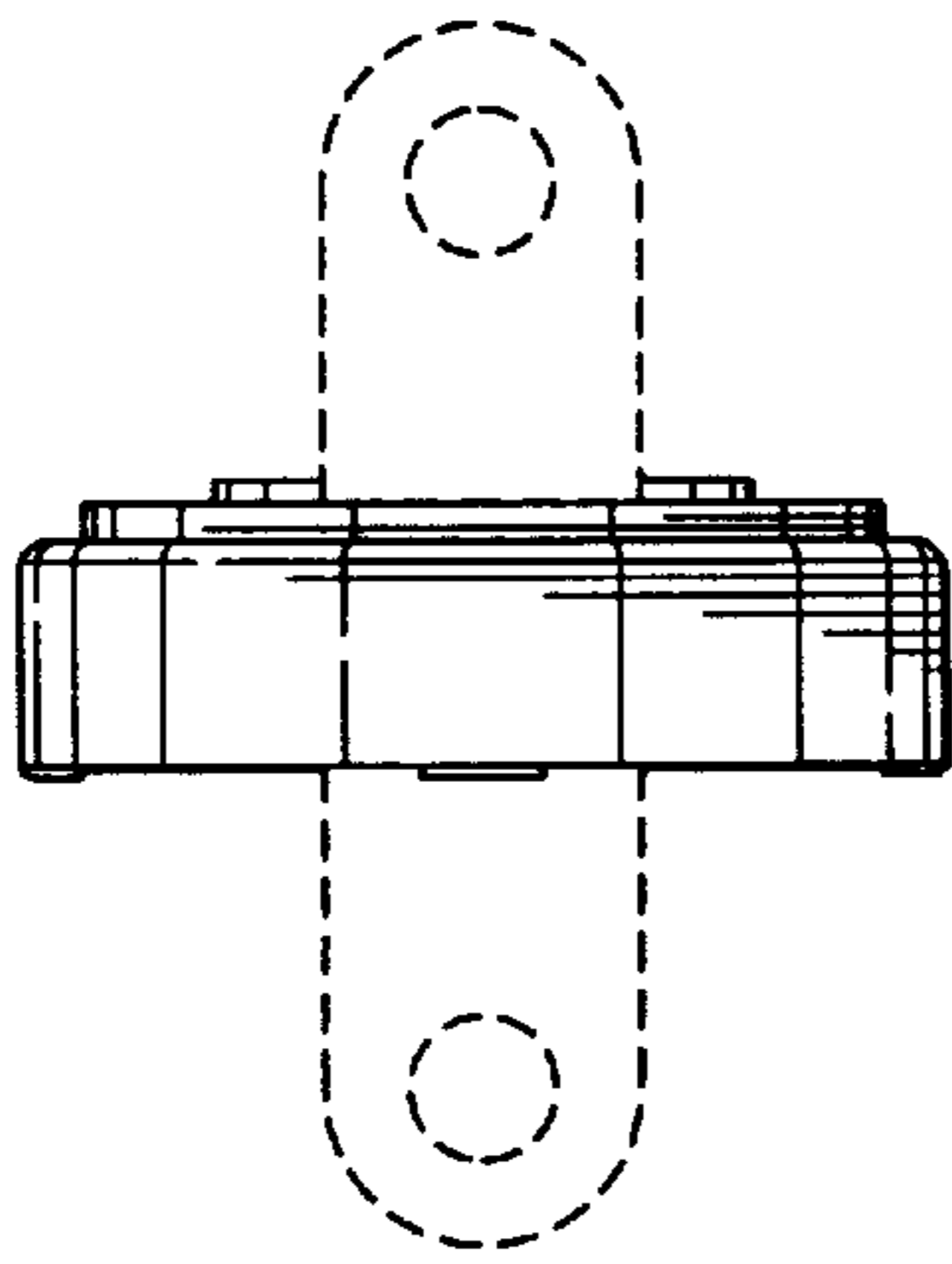


FIG. 7

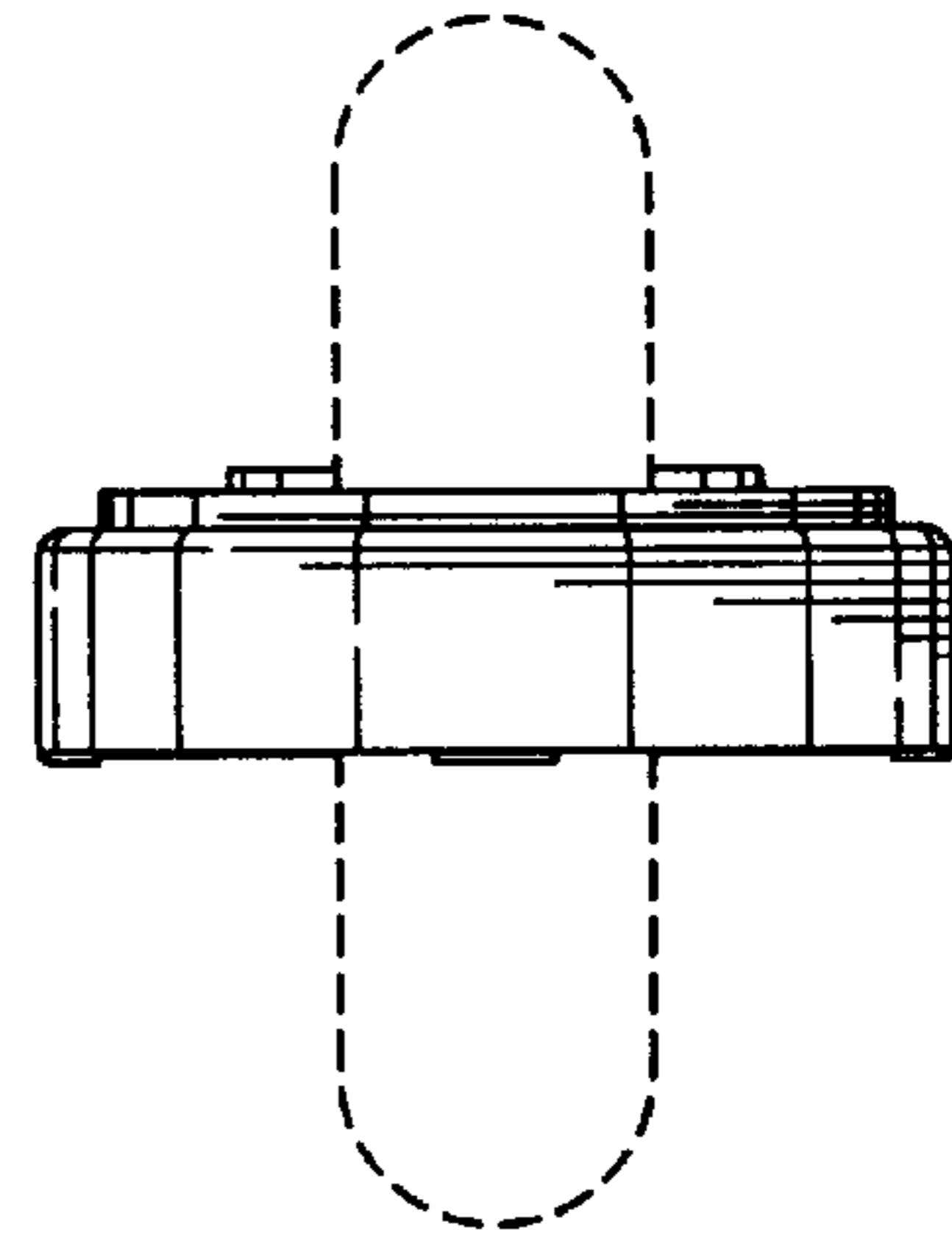


FIG. 8

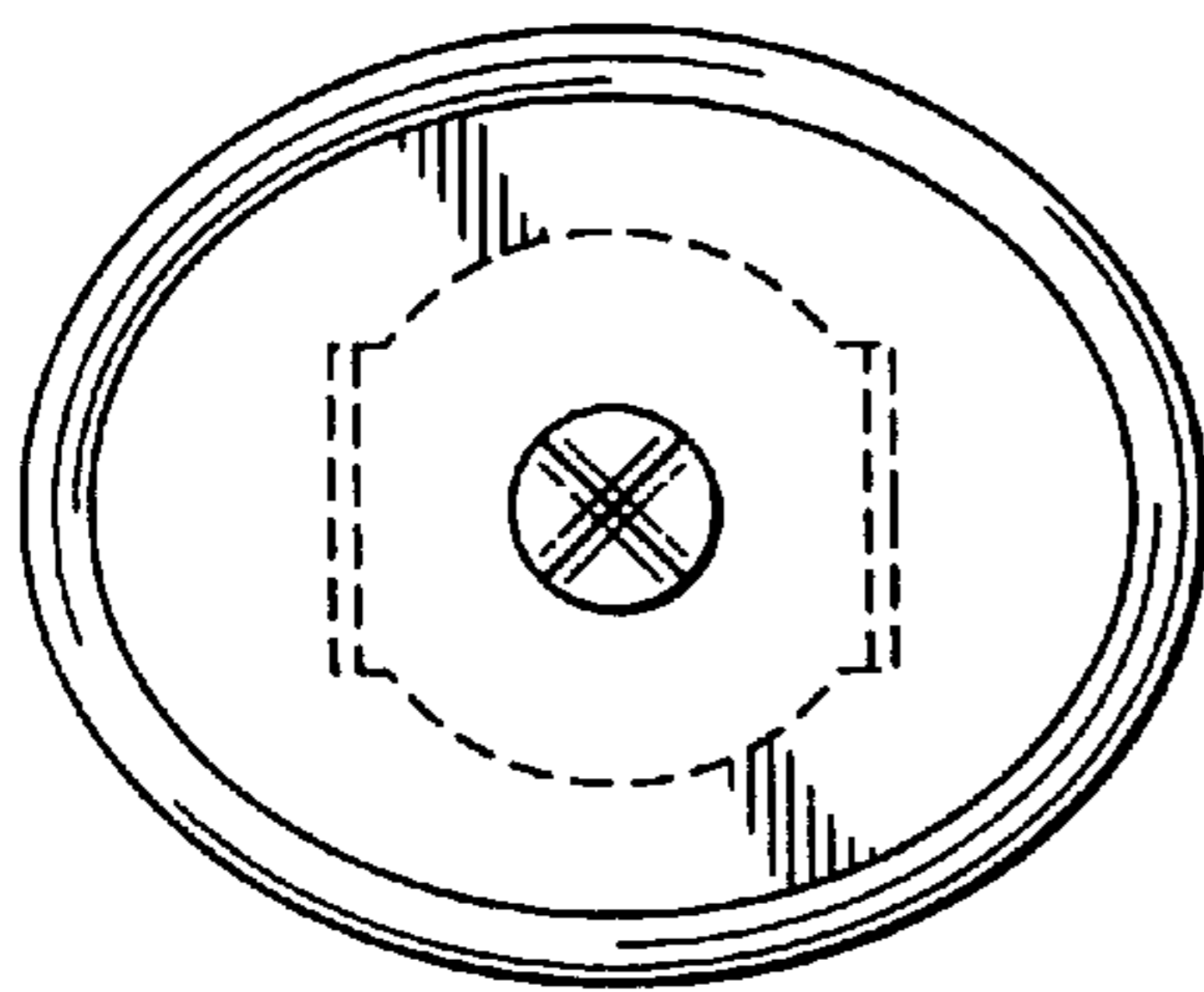


FIG. 9

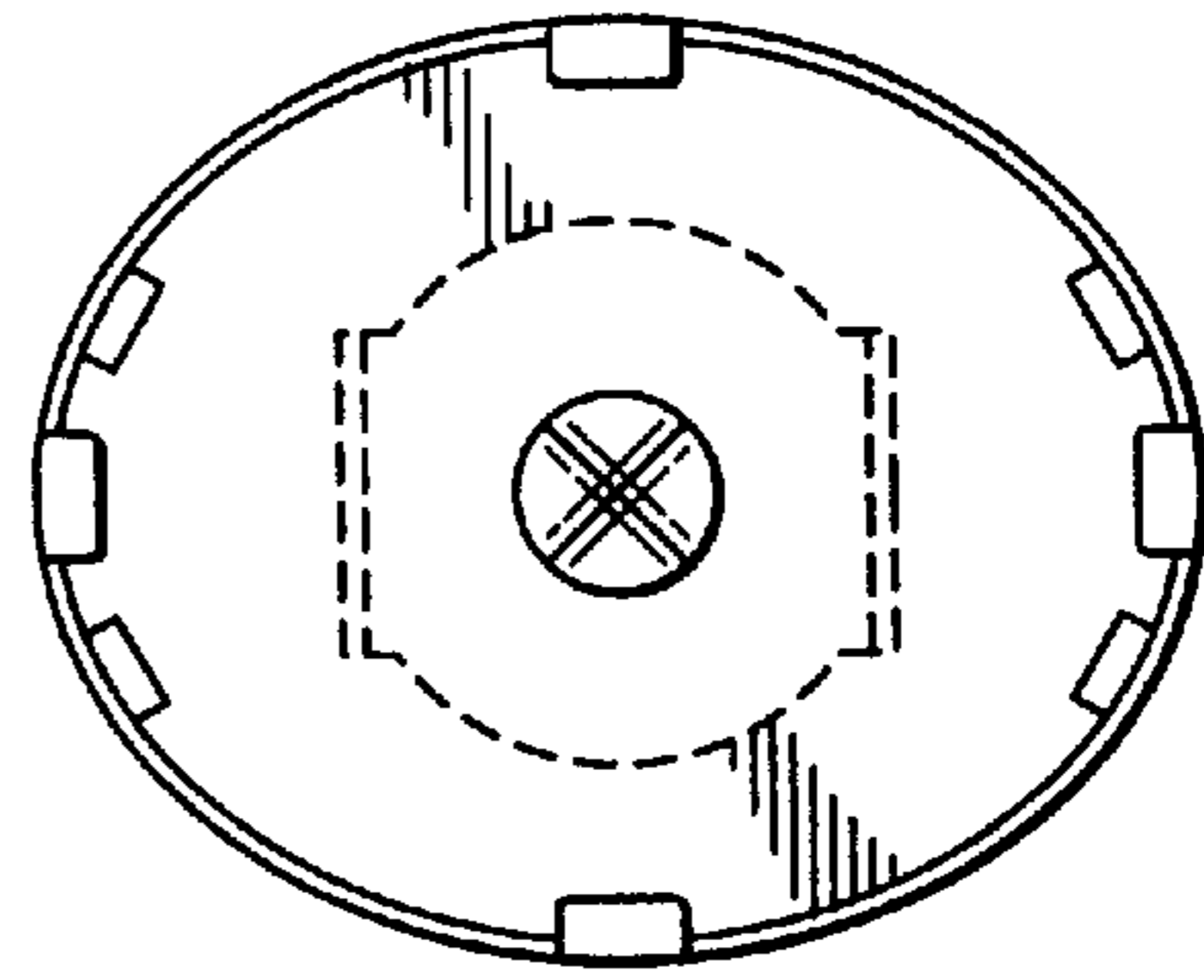


FIG. 10