



US00D431452S

# United States Patent [19]

Graves et al.

[11] Patent Number: Des. 431,452

[45] Date of Patent: \*\* Oct. 3, 2000

[54] FINIAL

D. 241,768 10/1976 Schonbek ..... D26/154

[75] Inventors: **Brain Graves; Zhiwei Xu**, both of San Diego, Calif.

*Primary Examiner*—Holly Baynham  
*Attorney, Agent, or Firm*—Dobrusin Darden, Thennisch Law Firm PLLC

[73] Assignee: **Beme International LLC**, San Diego, Calif.

### [57] CLAIM

[\*\*] Term: **14 Years**

The ornamental design for a finial, as shown.

[21] Appl. No.: **29/109,608**

### DESCRIPTION

[22] Filed: **Aug. 18, 1999**

FIG. 1 shows a perspective view of a finial incorporating our design.

[51] **LOC (7) Cl.** ..... **08-05**

FIG. 2 shows a bottom plan view of the finial shown in FIG. 1, the top view being identical to the bottom view.

[52] **U.S. Cl.** ..... **D8/378**

FIG. 3 shows a left side elevational view of the finial shown in FIG. 1.

[58] **Field of Search** ..... D8/378; D26/154; 428/28

FIG. 4 shows a right side elevational view of the finial shown in FIG. 1; and,

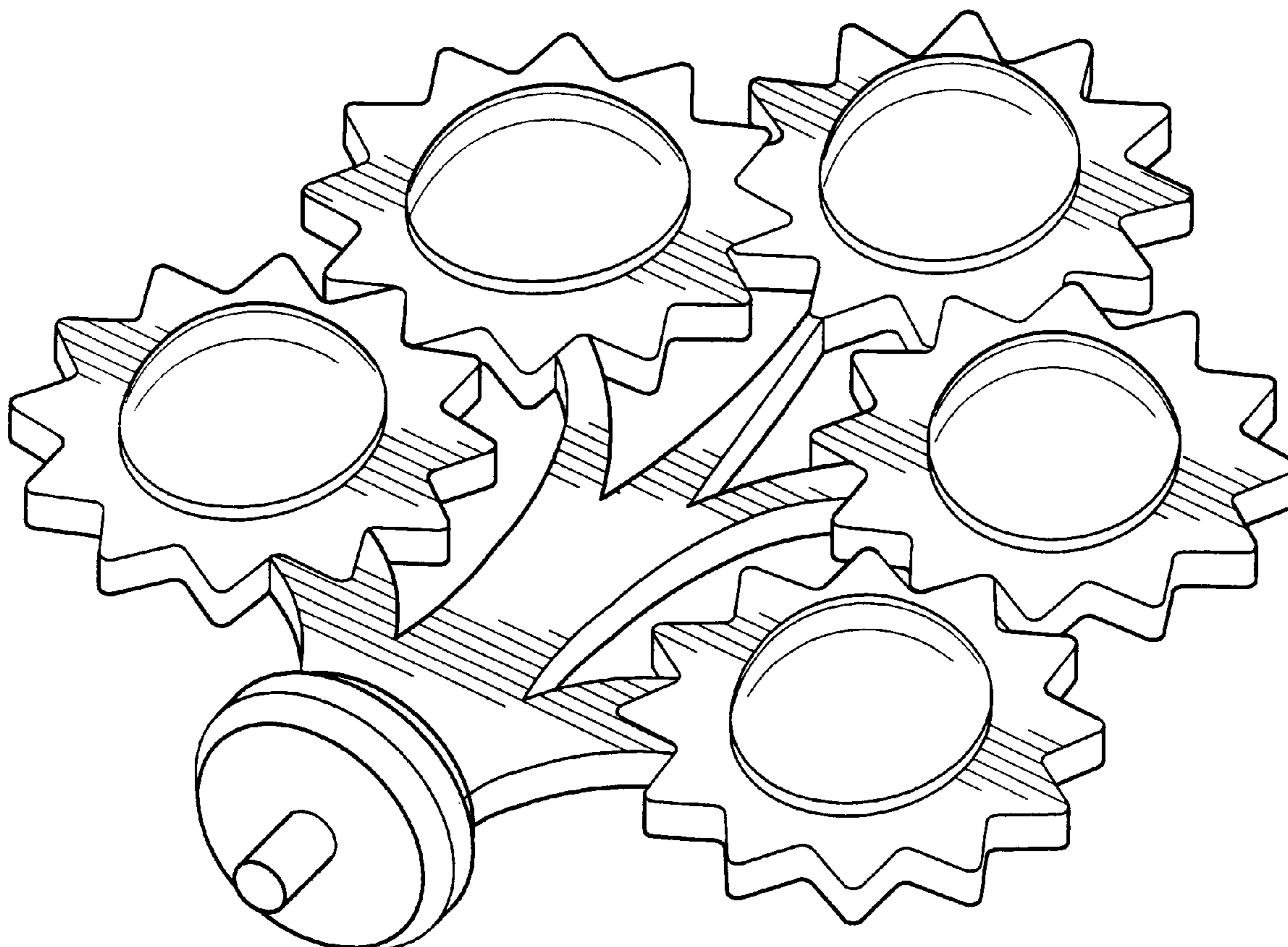
### [56] References Cited

FIG. 5 shows a front elevational view of the finial shown in FIG. 1, the rear elevational view being a mirror image of the front view.

#### U.S. PATENT DOCUMENTS

- D. 25,271 3/1896 Smith ..... D8/363
- D. 25,273 3/1896 Smith ..... D8/363

**1 Claim, 2 Drawing Sheets**



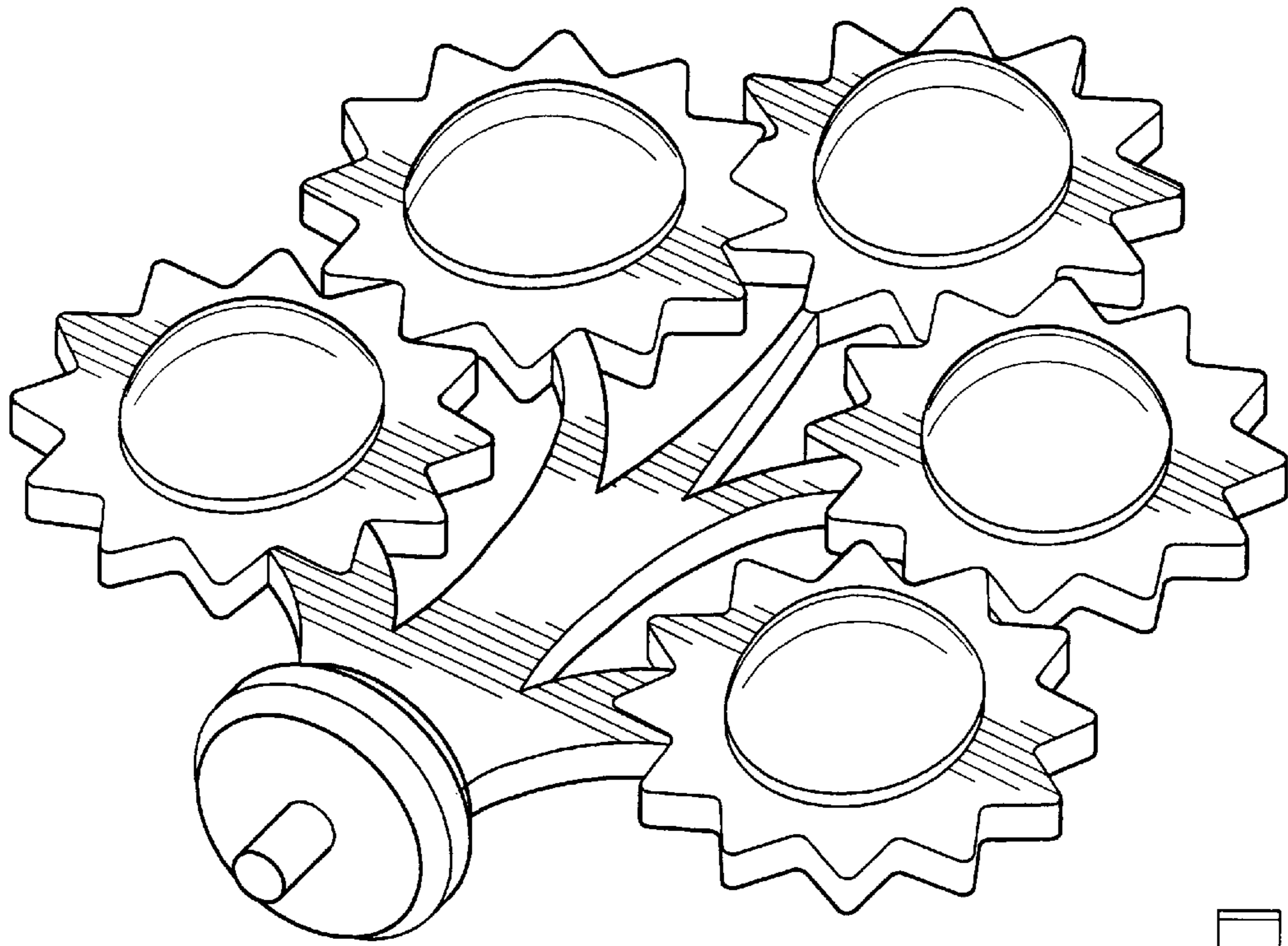


Fig-1

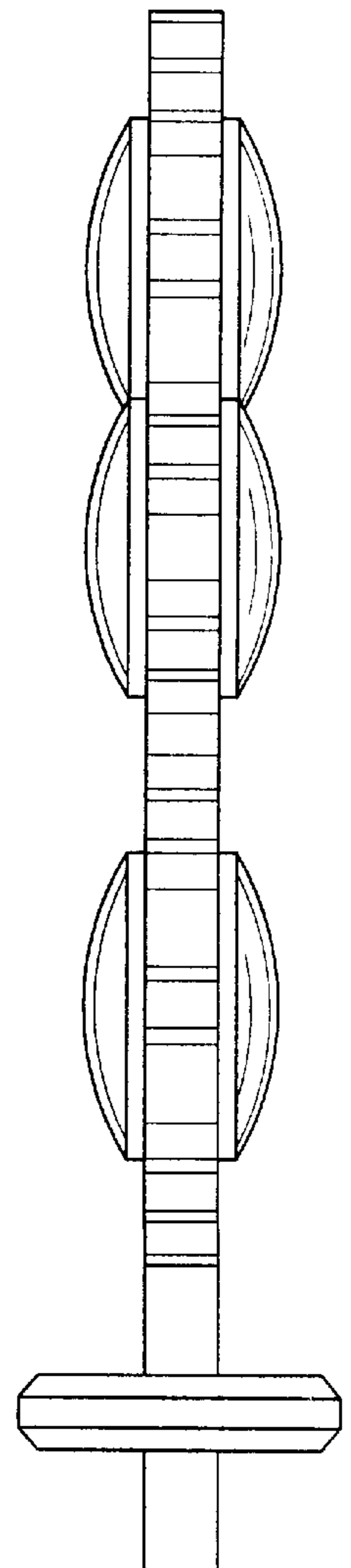


Fig-2

Fig-3

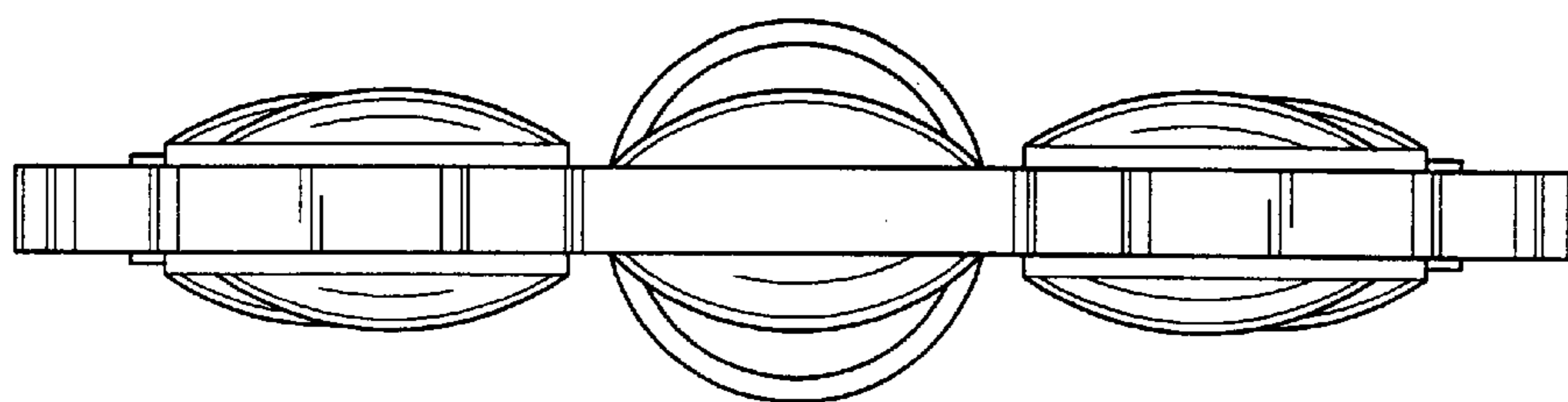
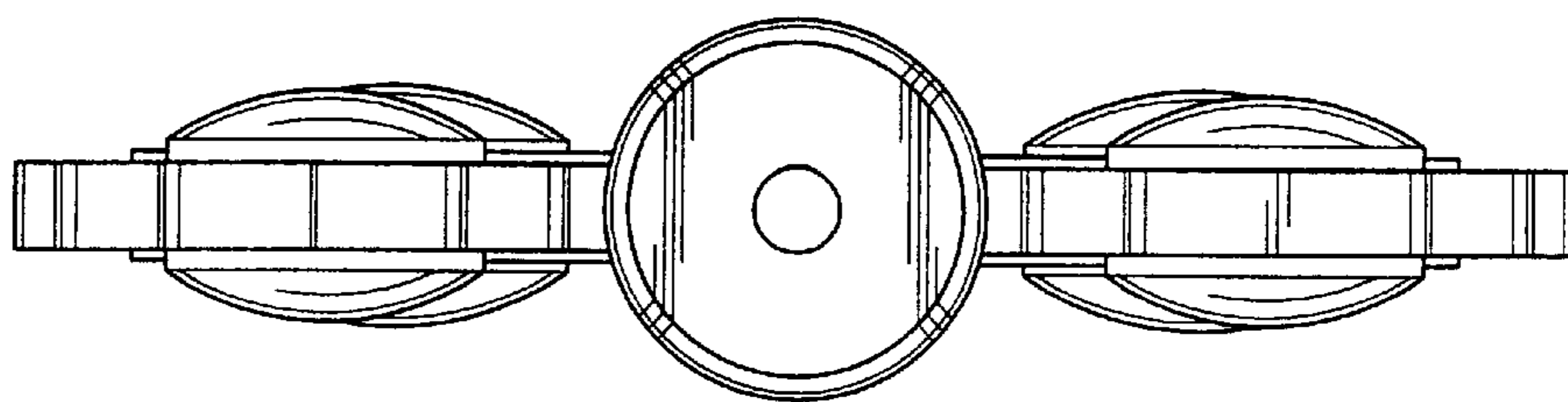


Fig-4

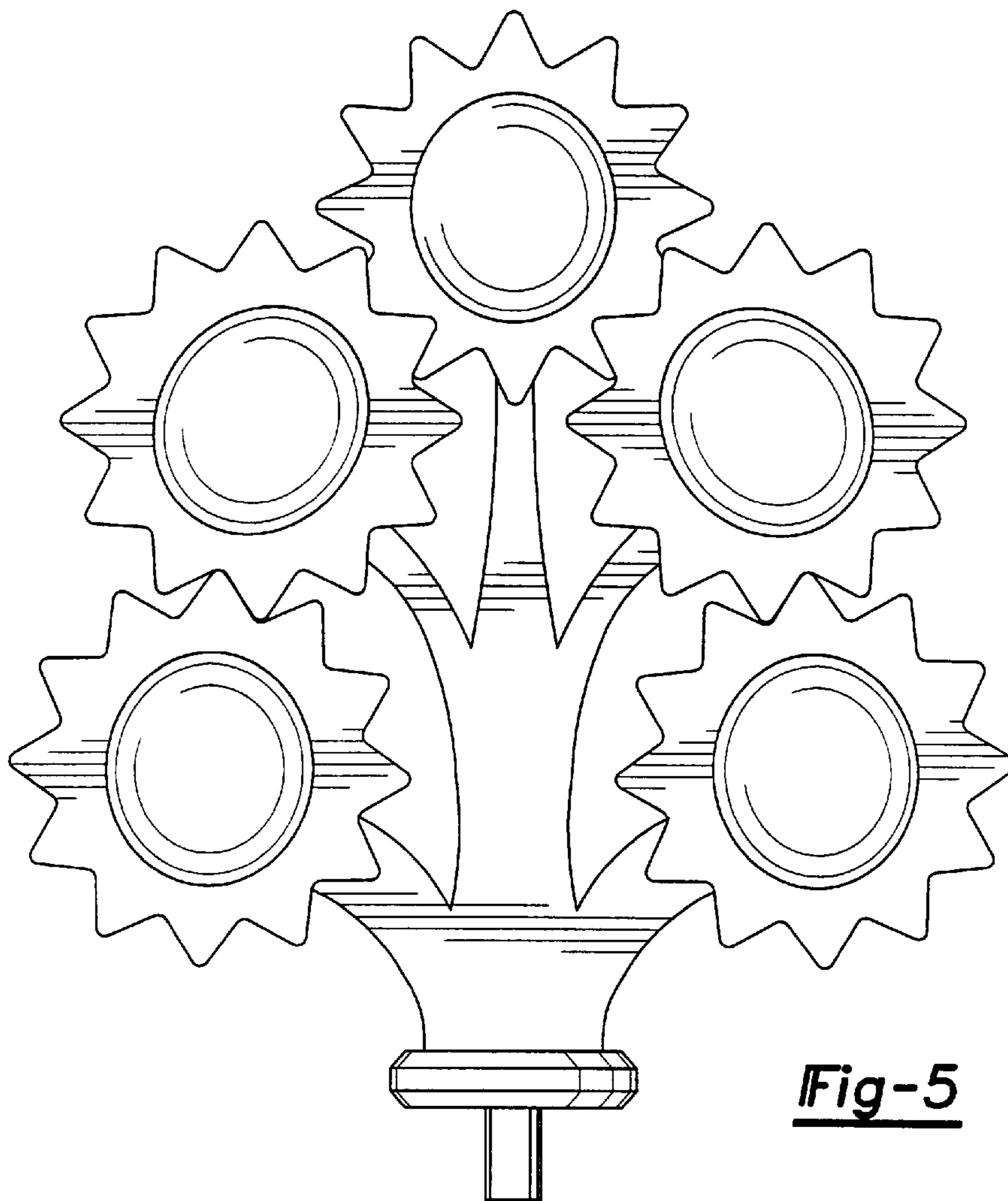


Fig-5

UNITED STATES PATENT AND TRADEMARK OFFICE  
**CERTIFICATE OF CORRECTION**

PATENT NO. : **D431,452**

DATED : **October 3, 2000**

INVENTOR(S) : **Brian Graves, et al**

It is certified that error appears in the above-identified patent and that said Letters Patent is hereby corrected as shown below:

**On the Title Page, in the Description, line 7 "final" should read ----- finial -----.**

Signed and Sealed this  
Twenty-ninth Day of May, 2001

*Attest:*



NICHOLAS P. GODICI

*Attesting Officer*

*Acting Director of the United States Patent and Trademark Office*