



US00D431445S

United States Patent [19] Short

[11] **Patent Number: Des. 431,445**
[45] **Date of Patent: ** Oct. 3, 2000**

[54] **PULL**

[75] Inventor: **Kevin G. Short**, LaGrange, Ill.

[73] Assignee: **Newell Operating Company**, Freeport, Ill.

[**] Term: **14 Years**

[21] Appl. No.: **29/118,087**

[22] Filed: **Feb. 3, 2000**

[51] **LOC (7) Cl.** **08-06**

[52] **U.S. Cl.** **D8/316**

[58] **Field of Search** D8/300, 315-320;
16/110.1, 412, 414-9, 441, 443-445

[56] **References Cited**

U.S. PATENT DOCUMENTS

- D. 130,321 11/1941 Borchers .
- D. 186,811 12/1959 Hillgren .
- D. 194,968 4/1963 Stelma .

OTHER PUBLICATIONS

Trimco Cat.; p. 54B; pull 1136G.

Primary Examiner—B. J. Bullock
Attorney, Agent, or Firm—Foley & Lardner

[57] **CLAIM**

I claim the ornamental design for a pull, as shown and described.

DESCRIPTION

FIG. 1 is a perspective view of the pull according to a preferred embodiment.

FIG. 2 is a top plan view of the pull.

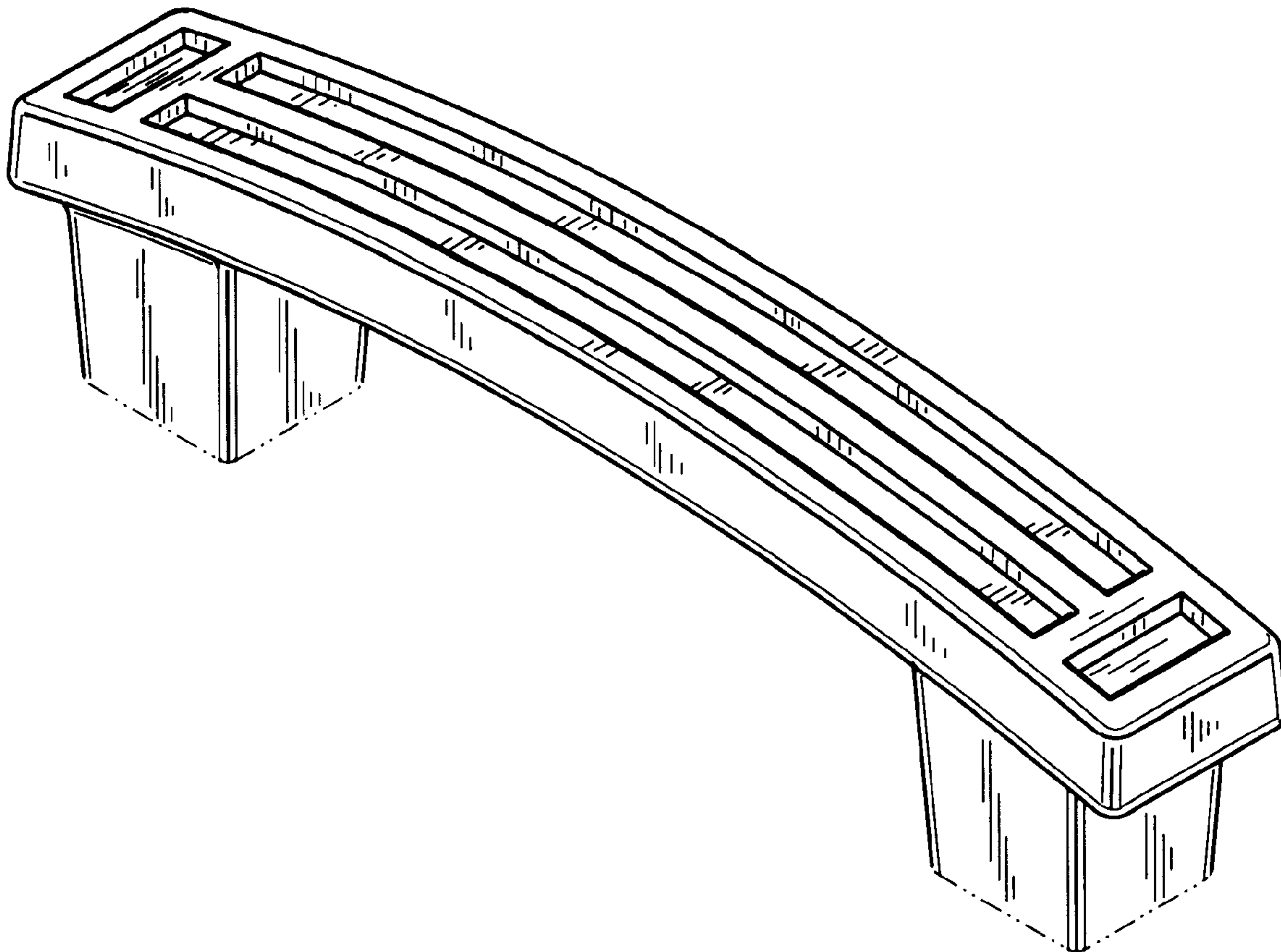
FIG. 3 is a front elevation view of the pull.

FIG. 4 is a side elevation view of the pull; and,

FIG. 5 is a bottom plan view of the pull.

The broken lines at the base of the stems and in the center of the bottom surface represent the bounds of the claim and all others are for illustrative purposes only. None of the broken lines form a part of the claimed design.

1 Claim, 1 Drawing Sheet



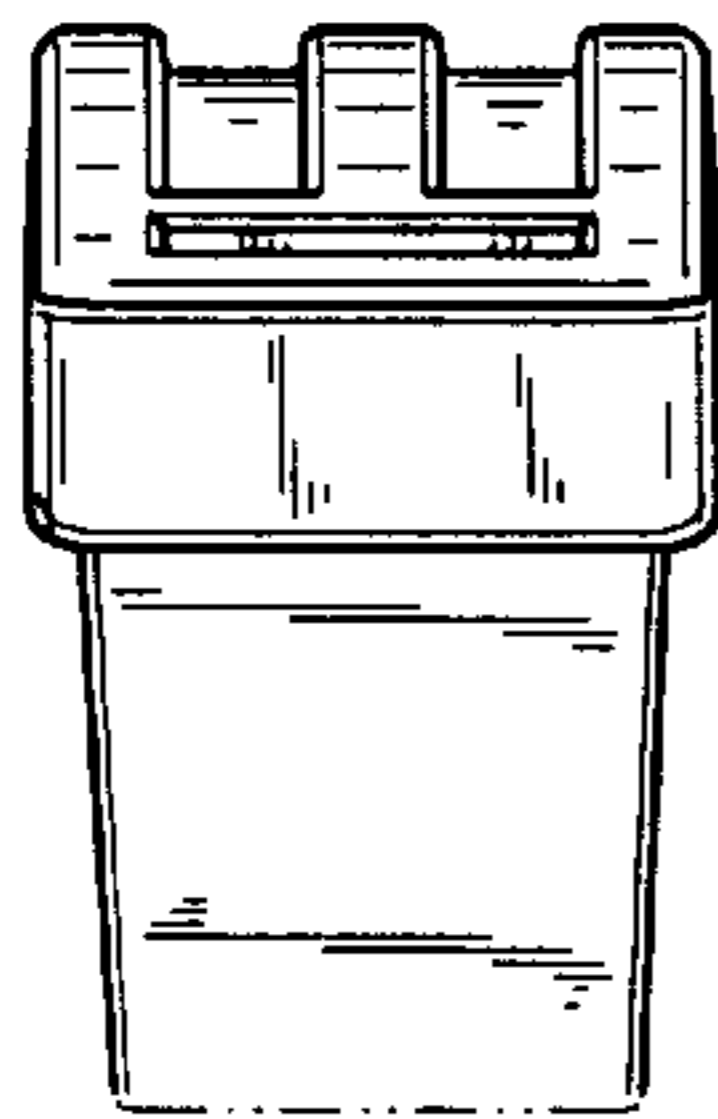
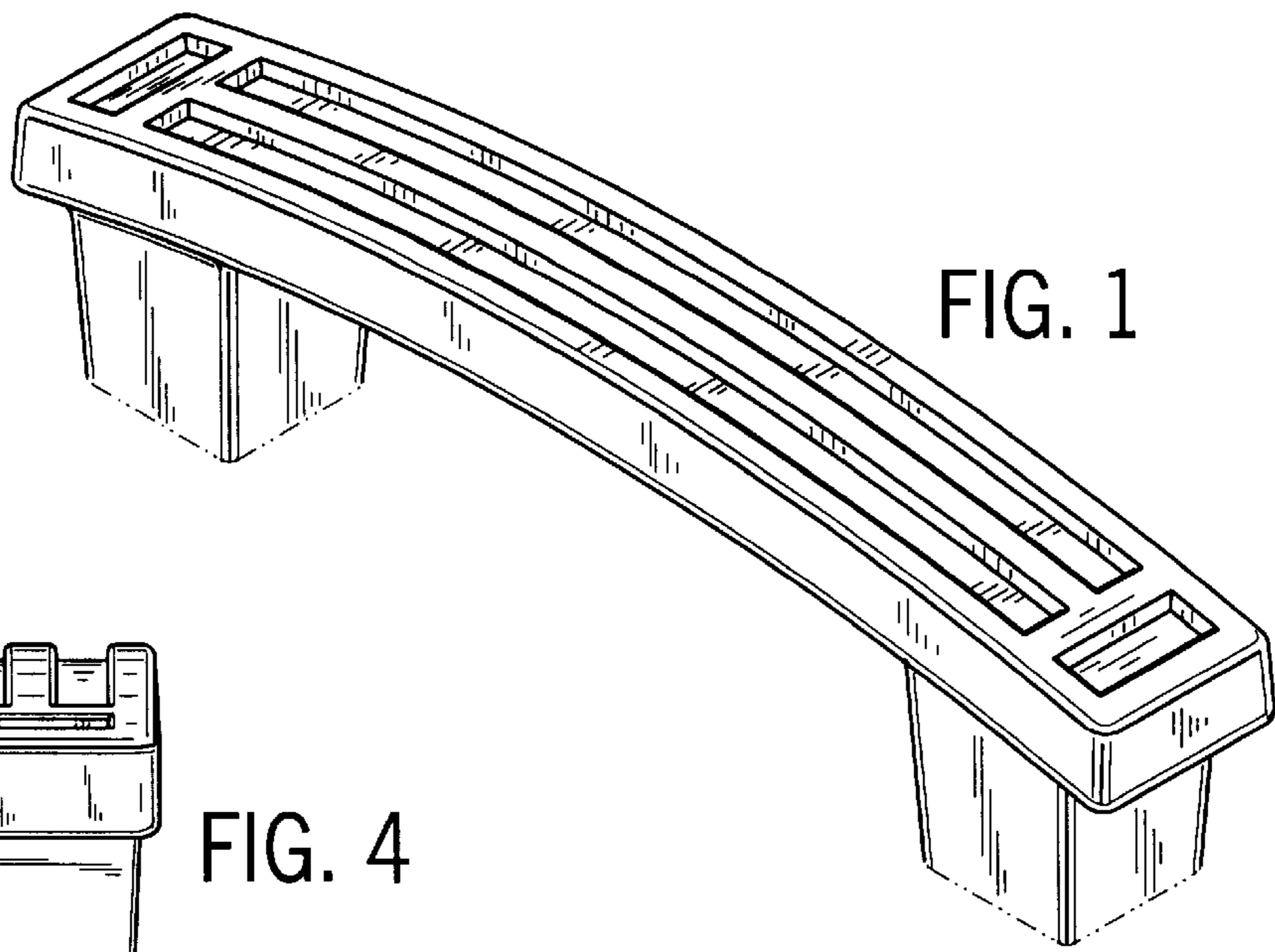


FIG. 2

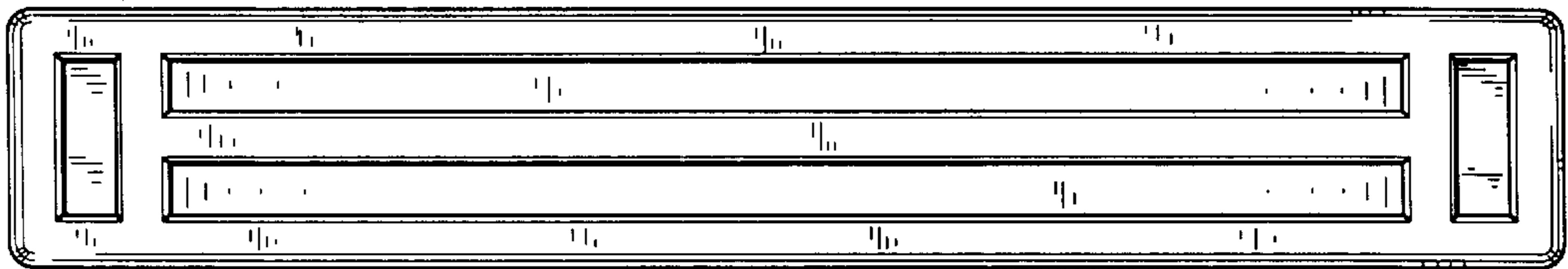


FIG. 3

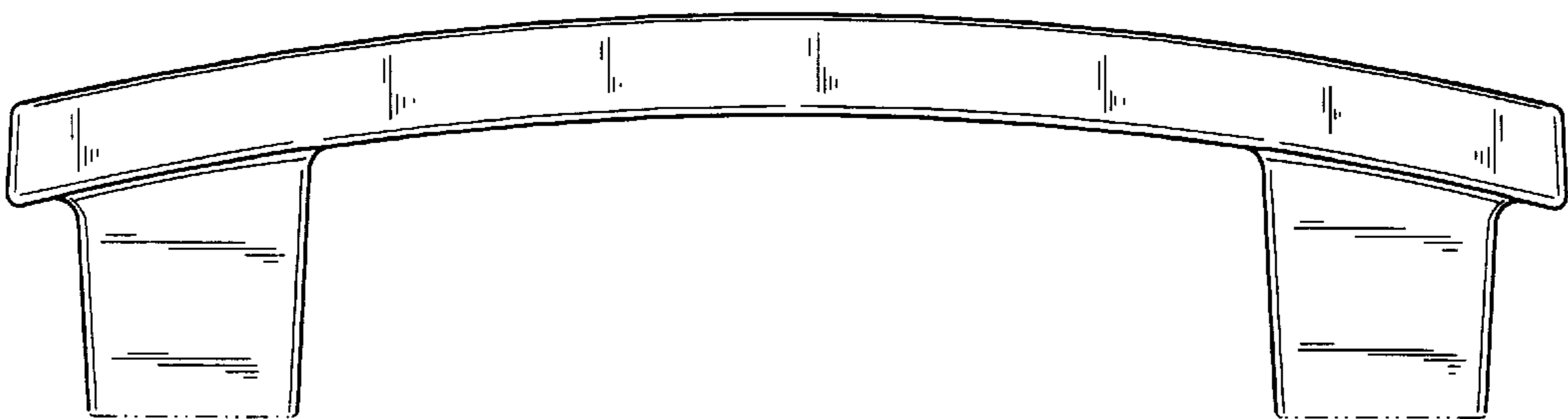
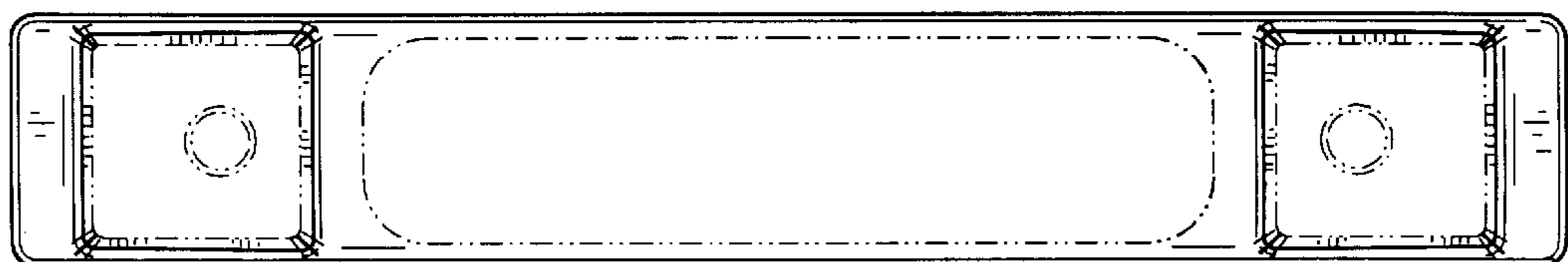


FIG. 5



UNITED STATES PATENT AND TRADEMARK OFFICE
CERTIFICATE OF CORRECTION

PATENT NO. : Des. 431,445
DATED : October 3, 2000
INVENTOR(S) : Short

Page 1 of 1

It is certified that error appears in the above-identified patent and that said Letters Patent is hereby corrected as shown below:

Delete "FIG. 4 is a side elevation view of the pull; and ," and replace with
--FIG. 4 is a side elevation view of the pull.--

Signed and Sealed this
Tenth Day of July, 2001

Nicholas P. Godici

Attest:

Attesting Officer

NICHOLAS P. GODICI
Acting Director of the United States Patent and Trademark Office