



US00D431444S

United States Patent [19] Short

[11] **Patent Number: Des. 431,444**
[45] **Date of Patent: ** Oct. 3, 2000**

[54] **PULL**

[75] Inventor: **Kevin G. Short**, LaGrange, Ill.

[73] Assignee: **Newell Operating Company**, Freeport, Ill.

[**] Term: **14 Years**

[21] Appl. No.: **29/118,045**

[22] Filed: **Feb. 3, 2000**

[51] **LOC (7) Cl.** **08-06**

[52] **U.S. Cl.** **D8/316**

[58] **Field of Search** D8/300, 315-320;
16/110.1, 410, 414-9, 441, 443-445

[56] **References Cited**

U.S. PATENT DOCUMENTS

- D. 175,473 8/1955 Leichter .
- D. 194,968 4/1963 Stelma .
- D. 342,436 12/1993 Cook et al. D8/317
- D. 399,406 10/1998 Decursu et al. D8/317

OTHER PUBLICATIONS

Trimco Cat., p. 54B; pull 1875G.

Primary Examiner—B. J. Bullock
Attorney, Agent, or Firm—Foley & Lardner

[57] **CLAIM**

I claim the ornamental design for a pull, as shown and described.

DESCRIPTION

FIG. 1 is a perspective view of the pull according to a preferred embodiment.

FIG. 2 is a top plan view of the pull.

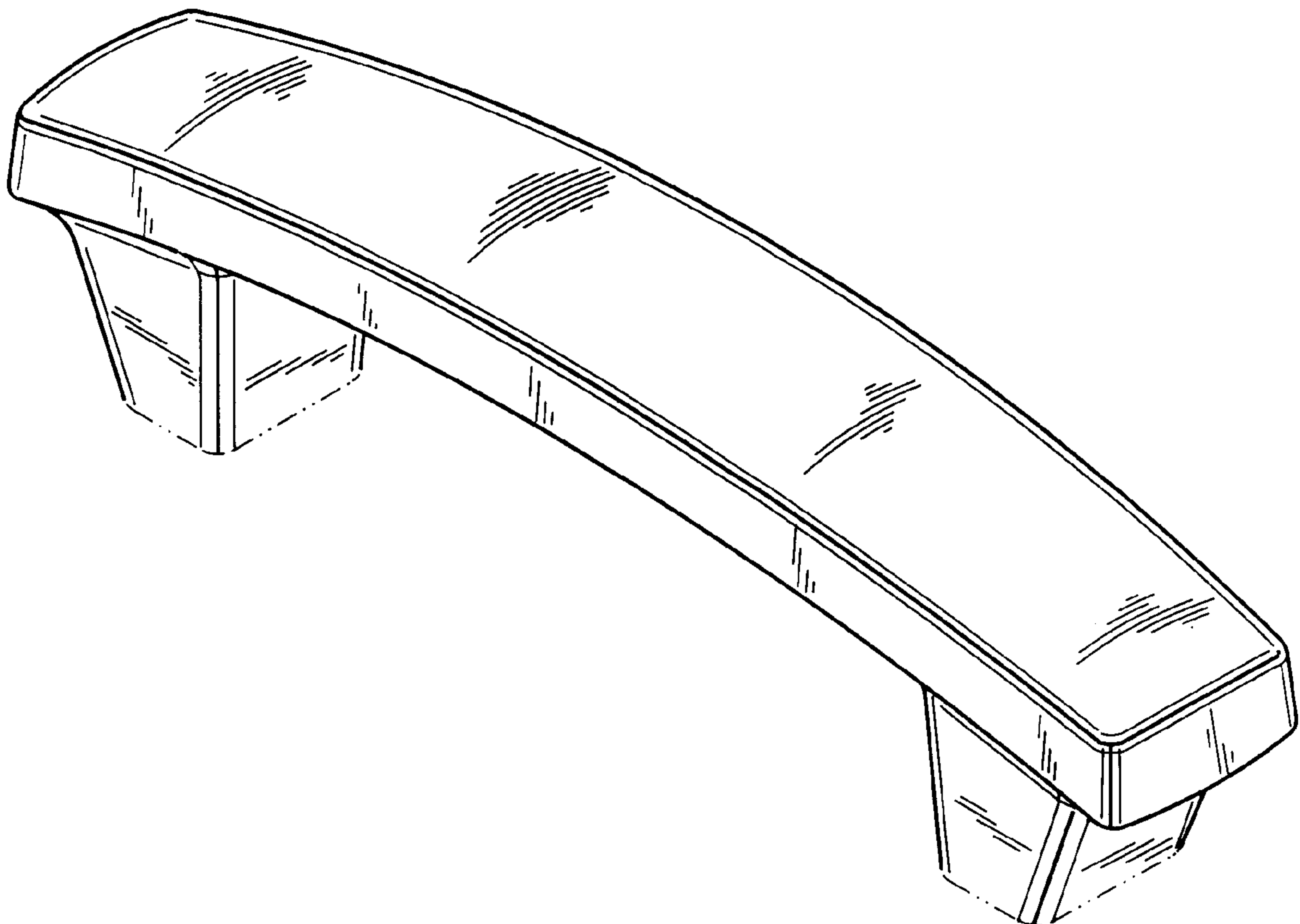
FIG. 3 is a front elevation view of the pull.

FIG. 4 is a side elevation view of the pull; and,

FIG. 5 is a bottom plan view of the pull.

The broken lines at the base of the stems and in the center of the bottom surface represent the bounds of the claim and all others are for illustrative purposes only. None of the broken lines form a part of the claimed design.

1 Claim, 1 Drawing Sheet



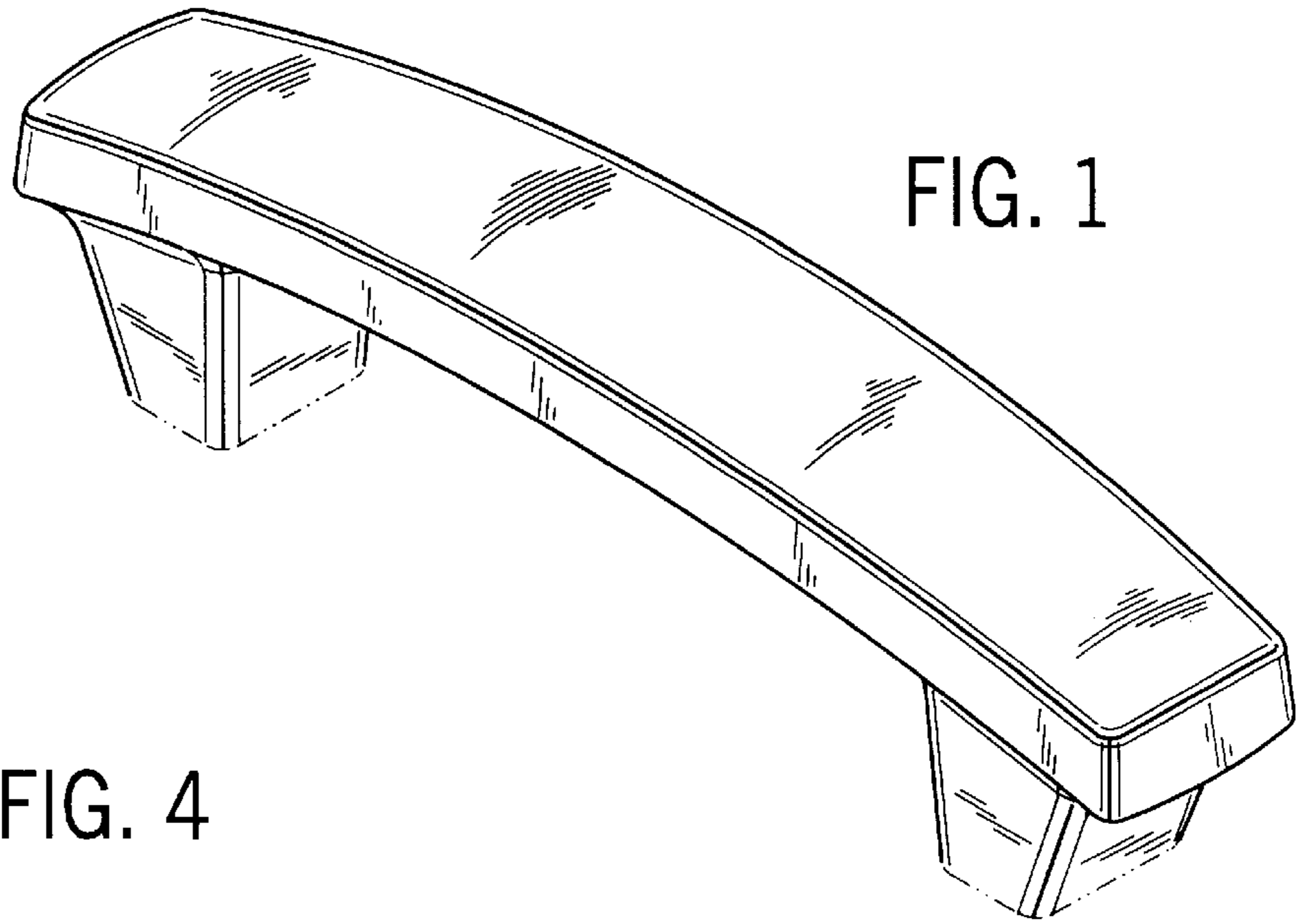


FIG. 1

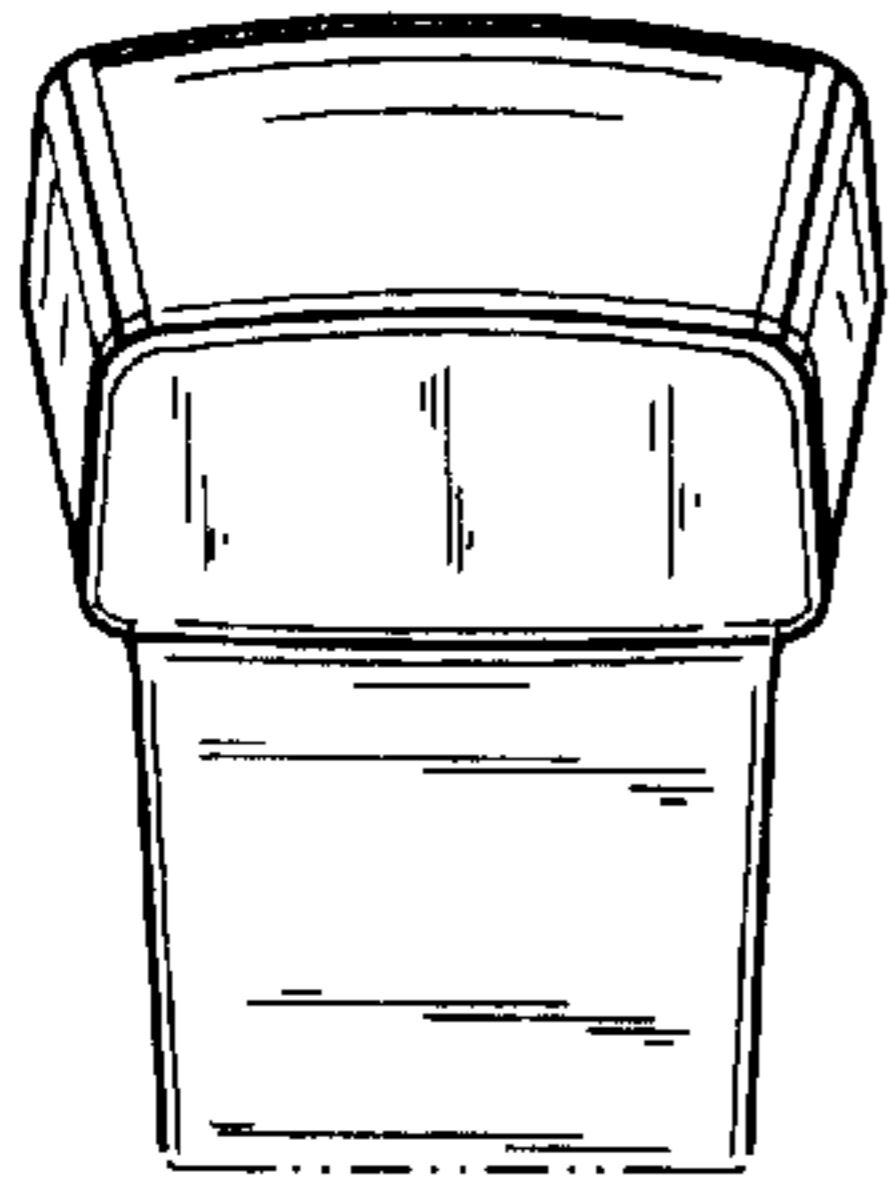


FIG. 4

FIG. 2

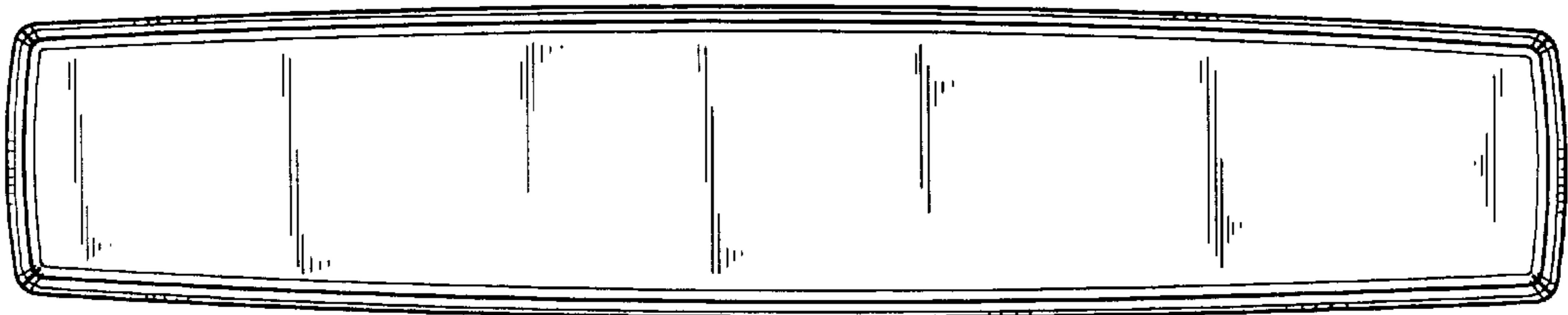


FIG. 3

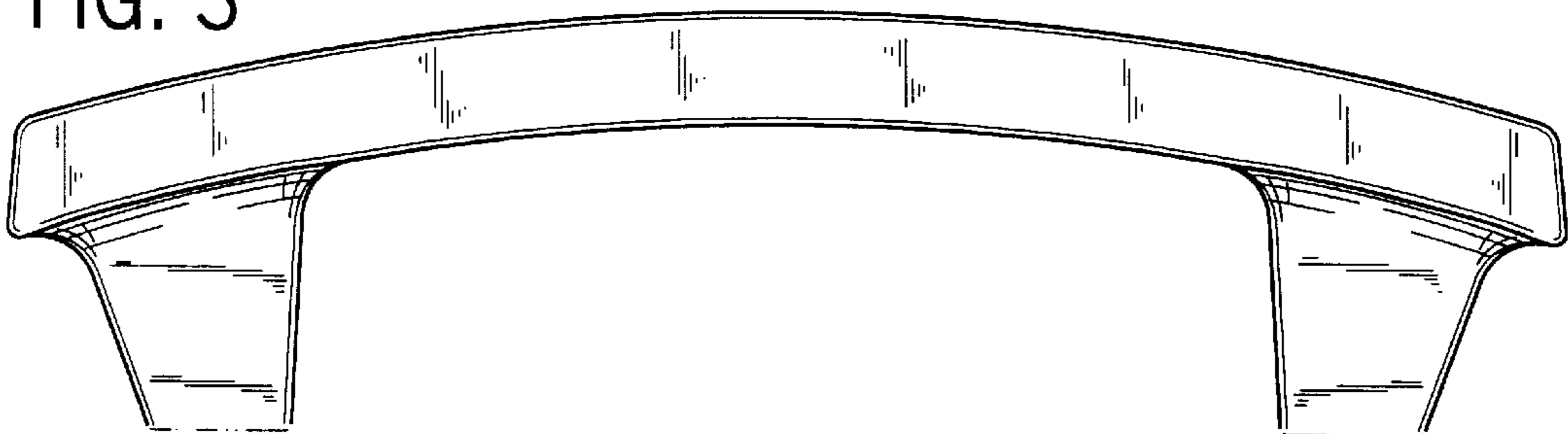


FIG. 5

