



US00D431442S

United States Patent [19] Short

[11] **Patent Number: Des. 431,442**
[45] **Date of Patent: ** Oct. 3, 2000**

[54] **KNOB**
[75] **Inventor: Kevin G. Short, LaGrange, Ill.**
[73] **Assignee: Newell Operating Company, Freeport, Ill.**
[**] **Term: 14 Years**
[21] **Appl. No.: 29/118,033**
[22] **Filed: Feb. 3, 2000**
[51] **LOC (7) Cl. 08-06**
[52] **U.S. Cl. D8/307**
[58] **Field of Search D8/300, 307; D23/250;
16/110.1, 412, 414, 417, 441**

4,790,208 12/1988 Johnson .

Primary Examiner—B. J. Bullock
Attorney, Agent, or Firm—Foley & Lardner

[57] CLAIM

I claim the ornamental design for a knob, as shown and described.

DESCRIPTION

FIG. 1 is a perspective view of the knob according to a preferred embodiment.
FIG. 2 is a top plan view of the knob.
FIG. 3 is a front elevation view of the knob.
FIG. 4 is a rear elevation view of the knob.
FIG. 5 is a side elevation view of the knob; and,
FIG. 6 is a bottom plan view of the knob.
The broken lines at the base of the stem represent the bounds of the claim and all others are for illustrative purposes only. None of the broken lines form a part of the claimed design.

[56] **References Cited**
U.S. PATENT DOCUMENTS
D. 152,901 3/1949 Petersen .
D. 184,506 3/1959 Borenstein .
D. 224,225 7/1972 Doman .

1 Claim, 1 Drawing Sheet

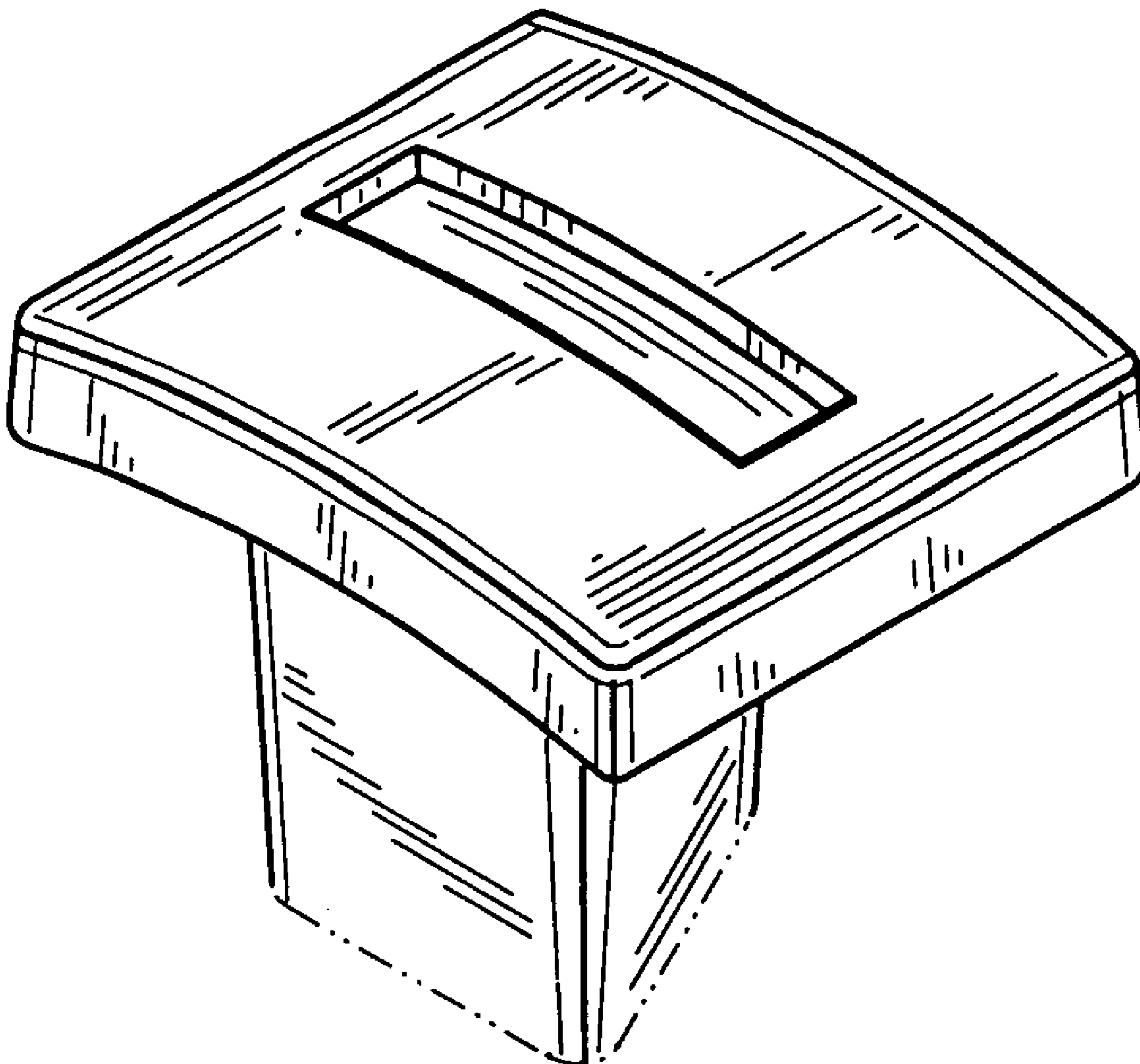


FIG. 1

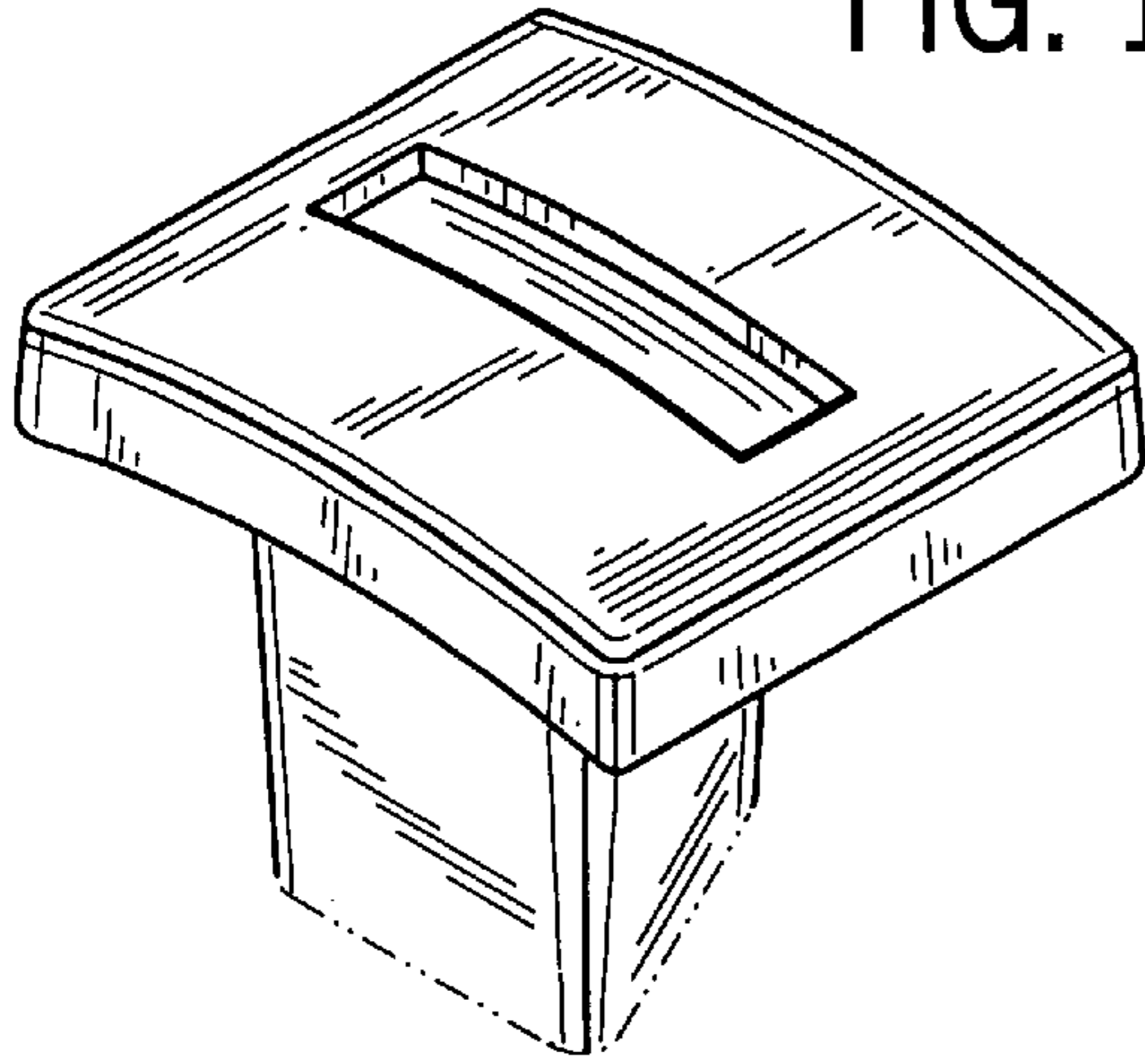


FIG. 2

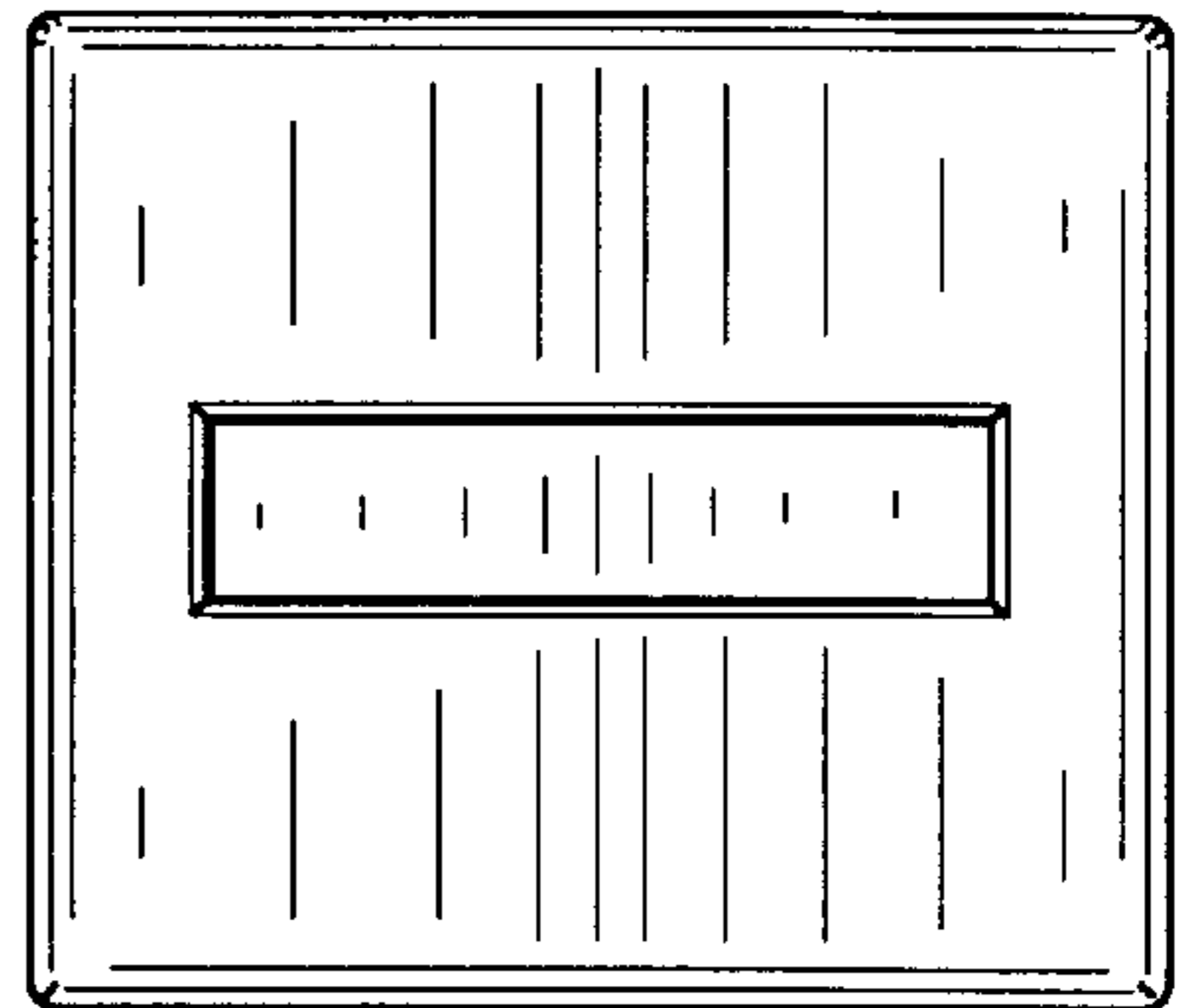


FIG. 5

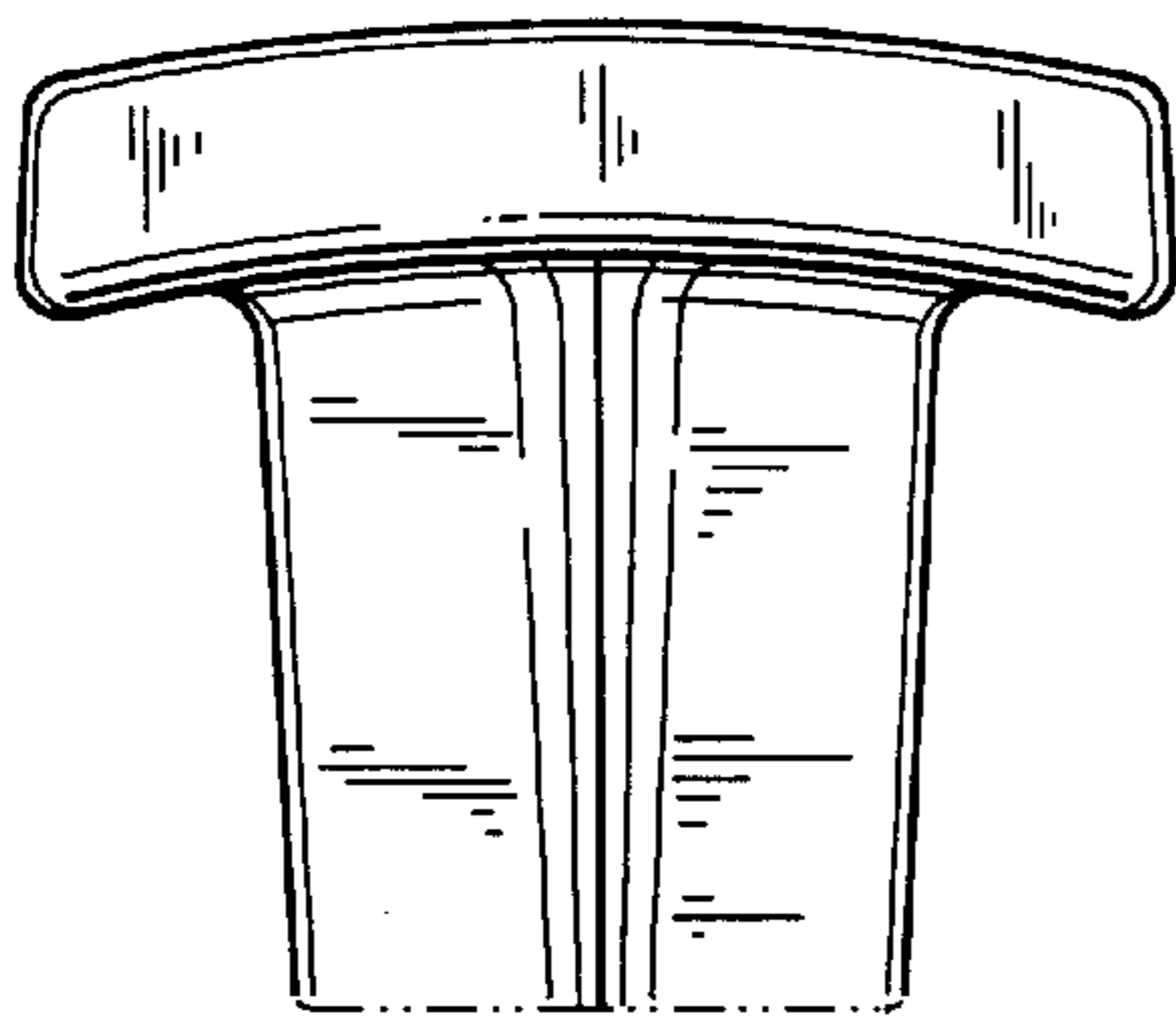


FIG. 3

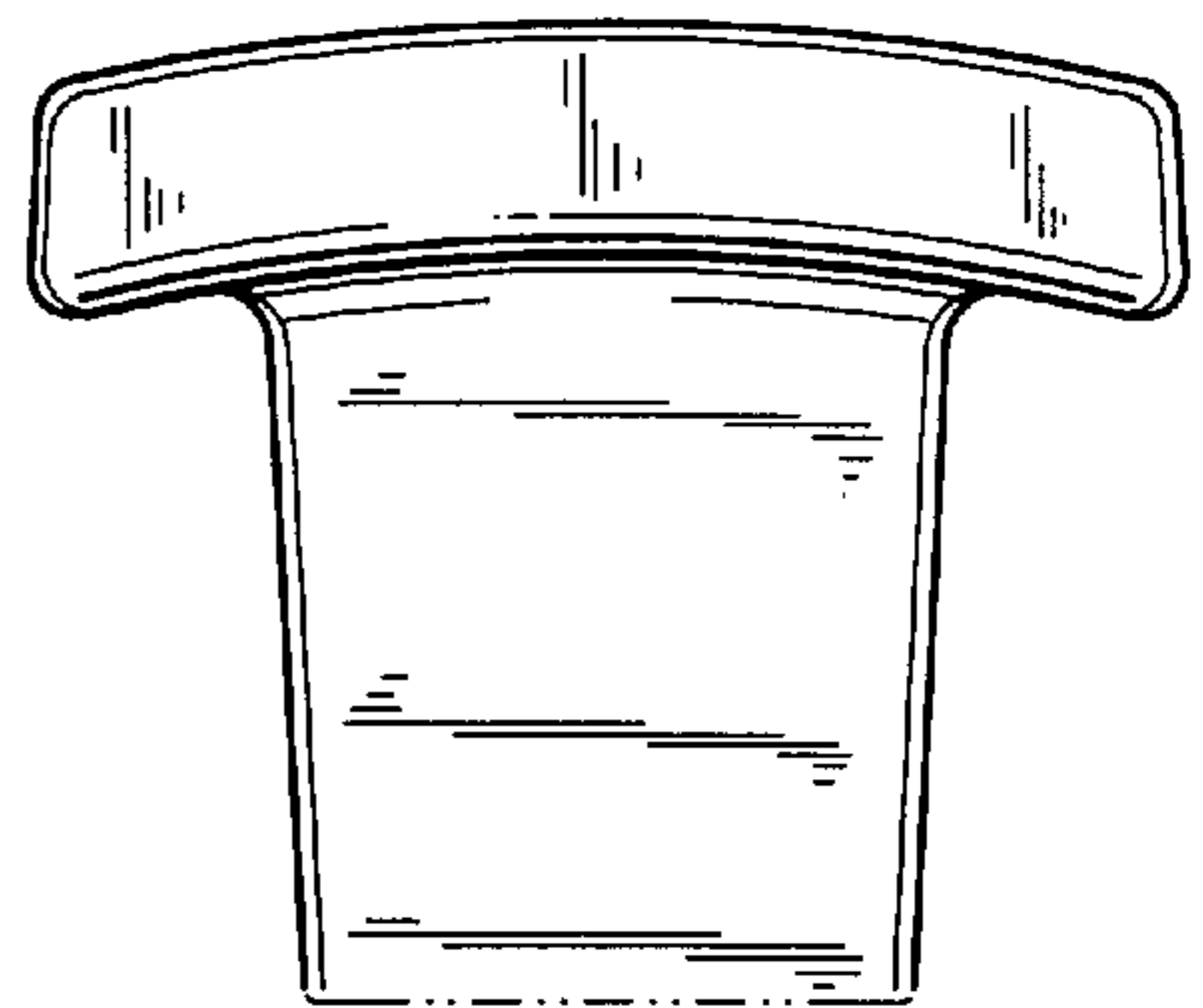


FIG. 6

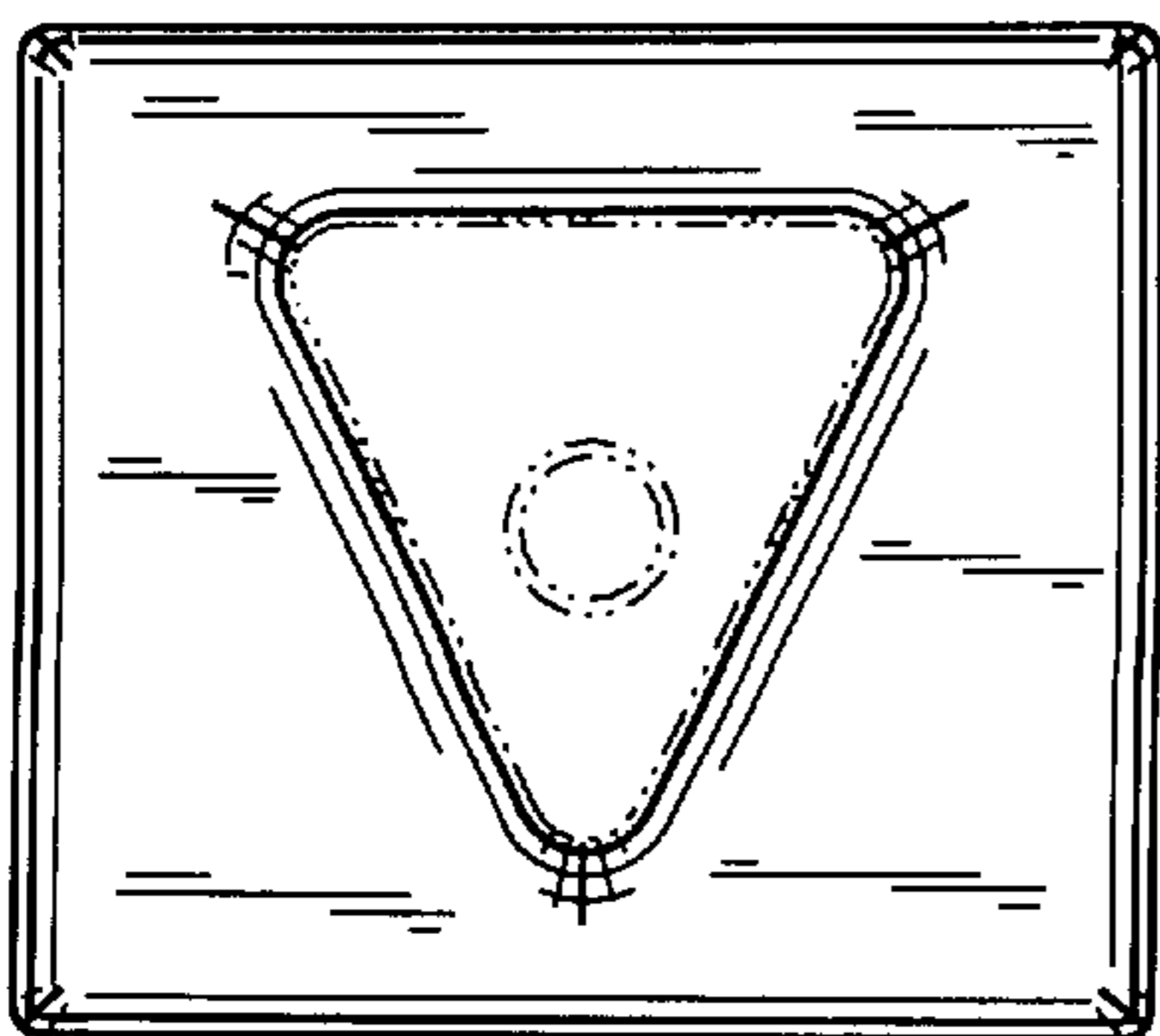


FIG. 4

