



US00D431440S

United States Patent [19] Okada

[11] **Patent Number: Des. 431,440**
[45] **Date of Patent: ** Oct. 3, 2000**

[54] **JIG FOR USE IN CUTTING LUMBER**

[75] Inventor: **Tamotsu Okada**, Miki, Japan

[73] Assignee: **Kabushiki Kaisha Okada Kinzoku Kogyosho**, Miki, Japan

[**] Term: **14 Years**

[21] Appl. No.: **29/105,960**

[22] Filed: **Jun. 3, 1999**

[51] **LOC (7) Cl.** **08-05**

[52] **U.S. Cl.** **D8/71; D8/98**

[58] **Field of Search** **D8/70, 71, 72; 83/760, 761, 762, 763**

[56] **References Cited**

U.S. PATENT DOCUMENTS

D. 261,353	10/1981	Ambler	D8/71
D. 277,544	2/1985	DeCarolis	D8/71
D. 277,932	3/1985	Baptiste	D8/71
D. 295,825	5/1988	Persson	D8/71
1,843,267	2/1932	Burdick	83/763
2,644,493	7/1953	Nempe	82/763

Primary Examiner—Philip S. Hyder
Attorney, Agent, or Firm—Armstrong, Westerman, Hattori, McLeland & Naughton

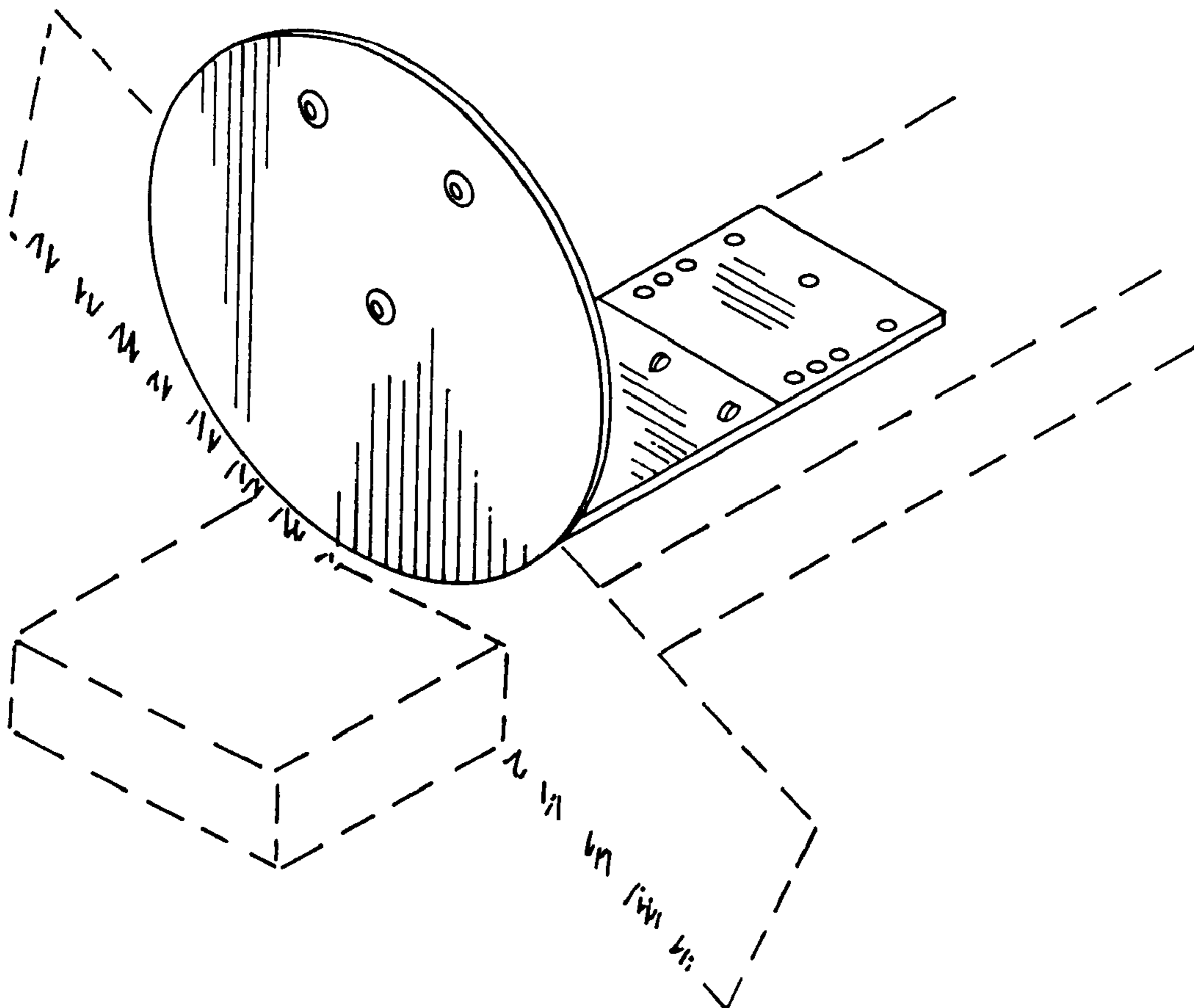
[57] **CLAIM**

The ornamental design of a jig for use in cutting lumber, as shown and described.

DESCRIPTION

FIG. 1 is a front elevational view of a jig for use in lumber cutting, showing my new design;
FIG. 2 is a right side elevational view thereof;
FIG. 3 is a rear elevational view thereof;
FIG. 4 is a left side elevational view thereof;
FIG. 5 is a bottom view thereof;
FIG. 6 is a plan view thereof;
FIG. 7 is a front view thereof, wherein the saw blade guide is shown in an alternate horizontally angled position relative to the base;
FIG. 8 is a top plan view thereof, wherein the saw blade guide is shown in an alternate horizontally angled position relative to the base;
FIG. 9 is a top plan view thereof, wherein the saw blade guide is shown in an alternate vertically angled position relative to the base;
FIG. 10 is a front elevational view thereof, wherein the saw blade guide is shown in an alternate vertically angled position relative to the base; and,
FIG. 11 is a respective view thereof, wherein the broken line showing of the board and saw blade is for illustrative purposes only and forms no part of the claimed design.

1 Claim, 6 Drawing Sheets



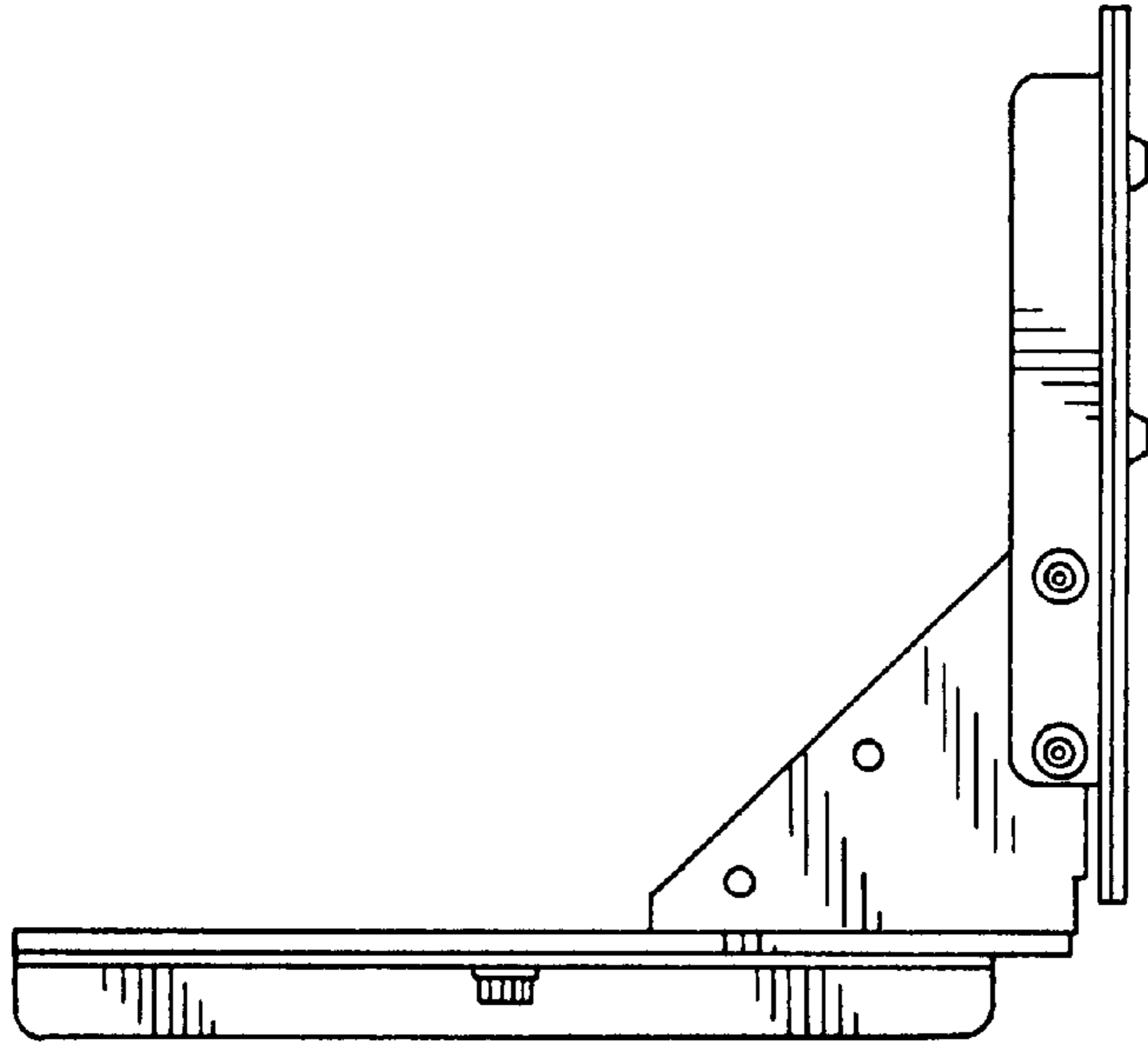


FIG. 1

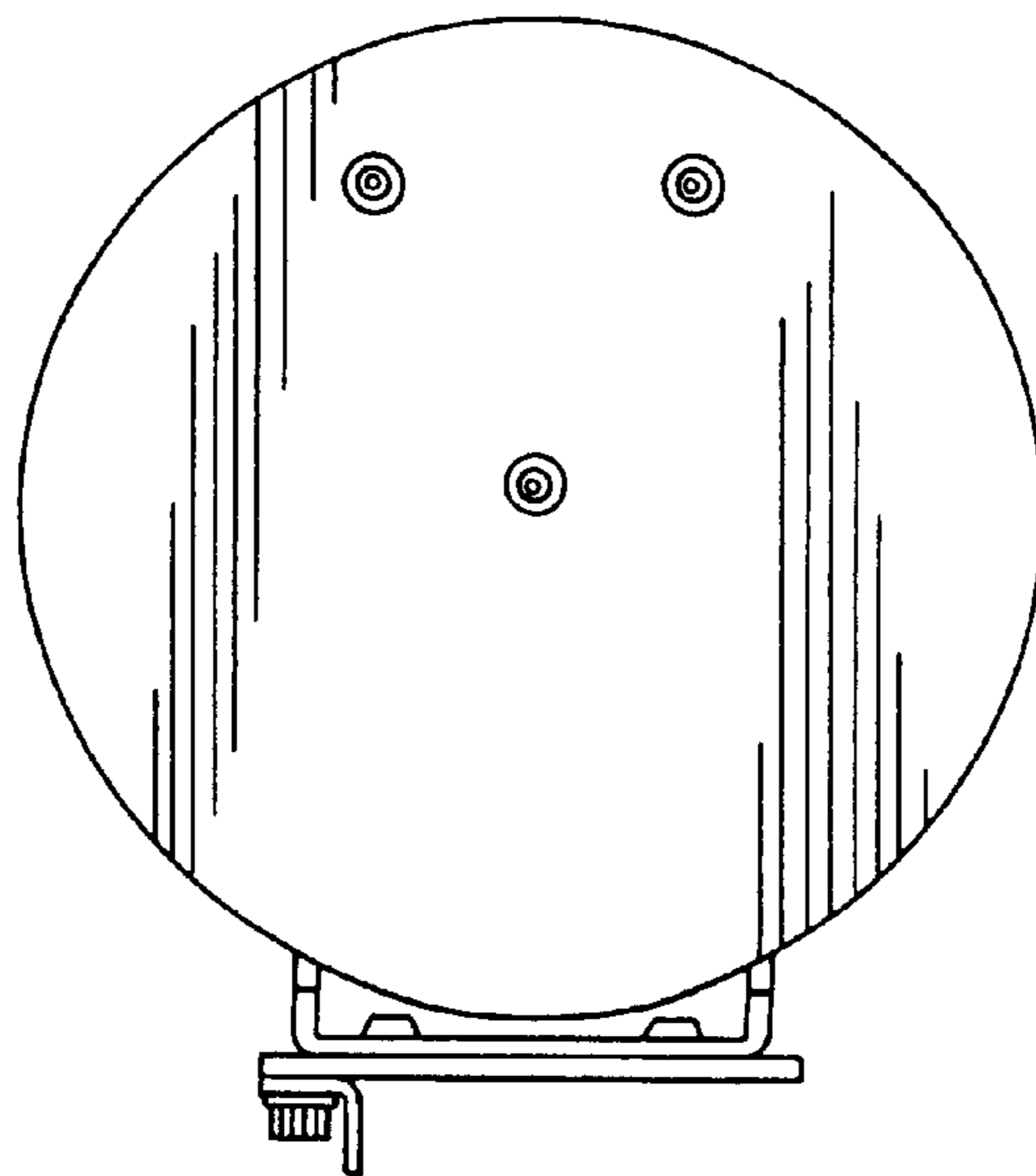


FIG. 2

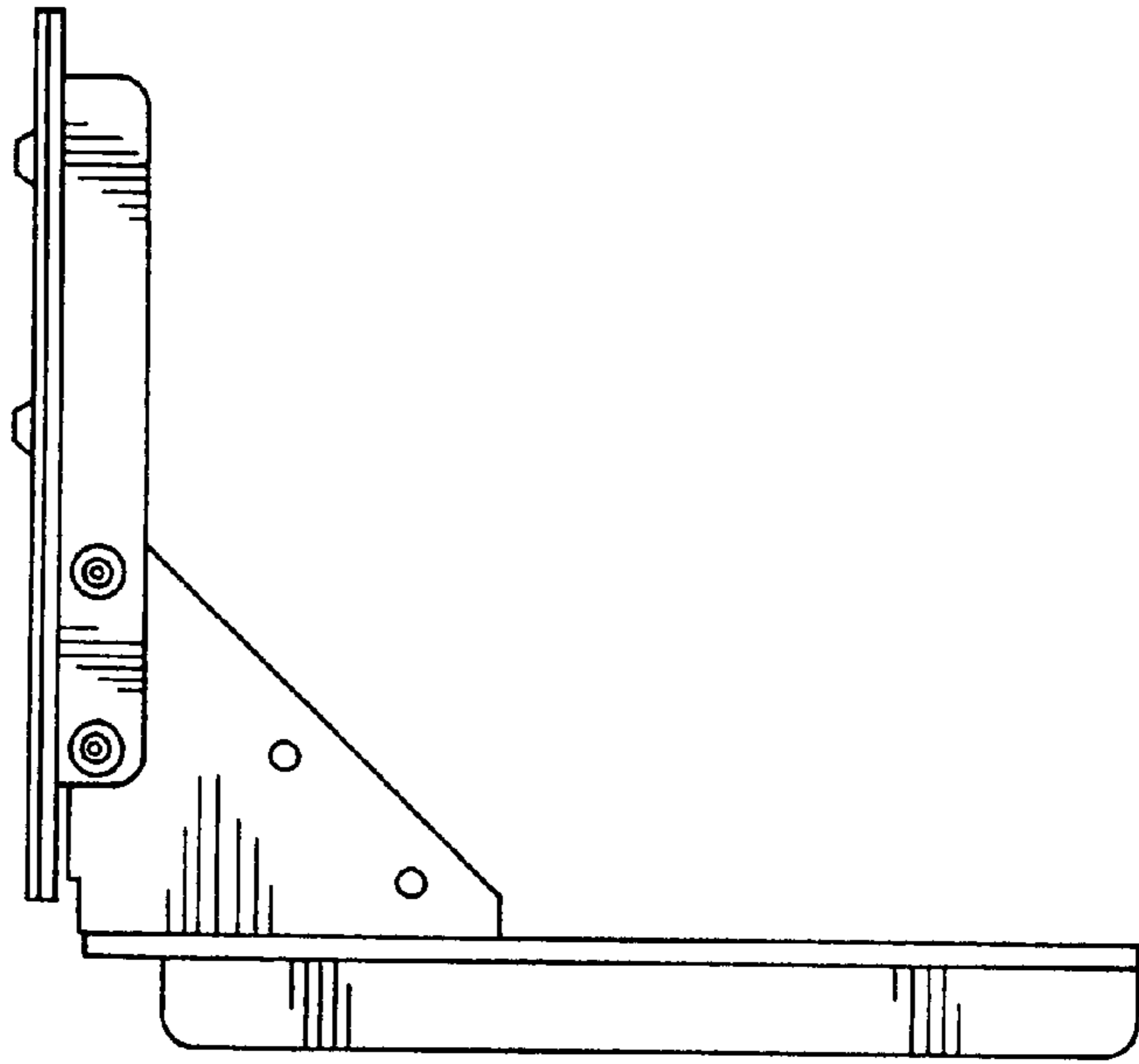


FIG. 3

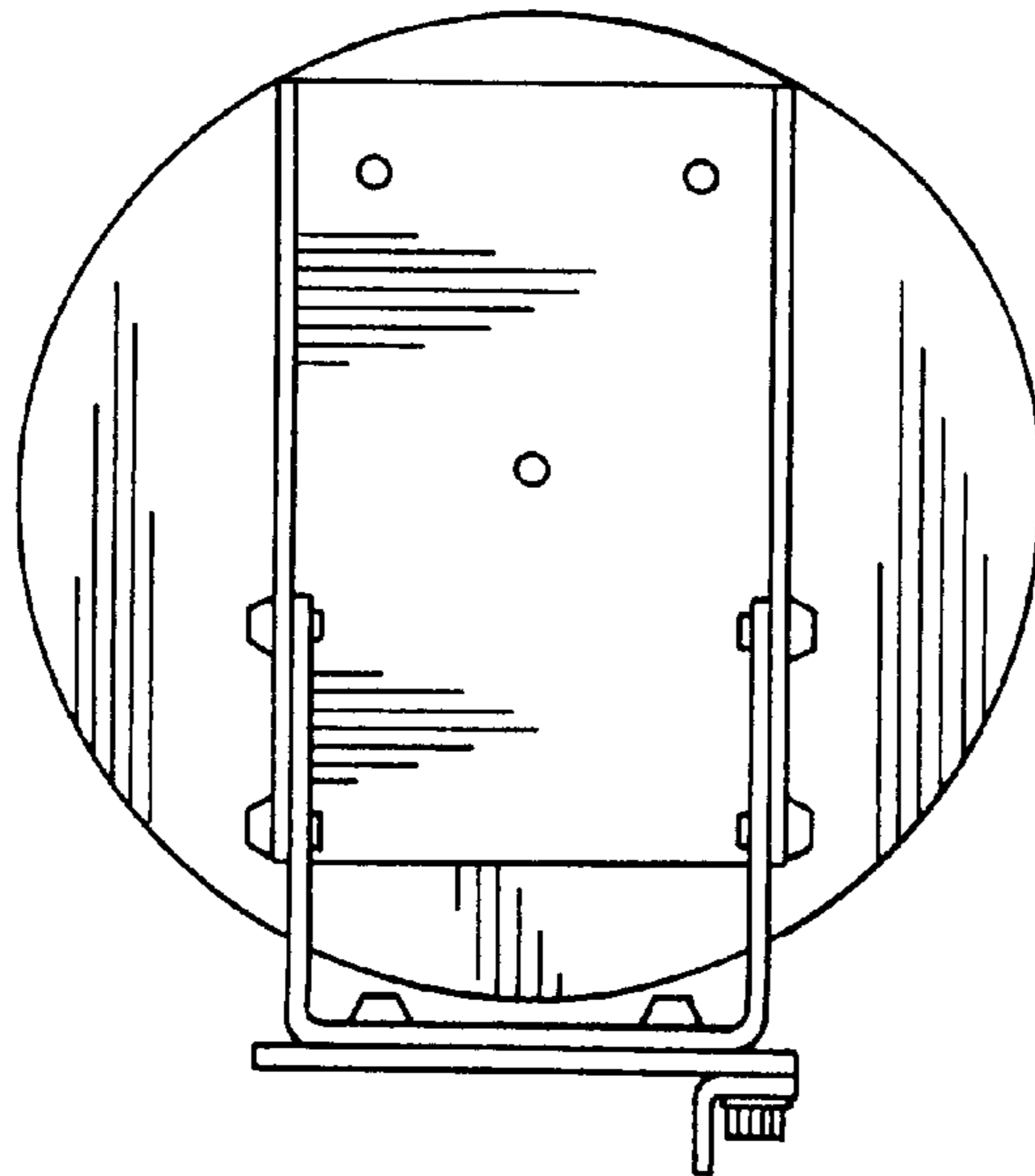


FIG. 4

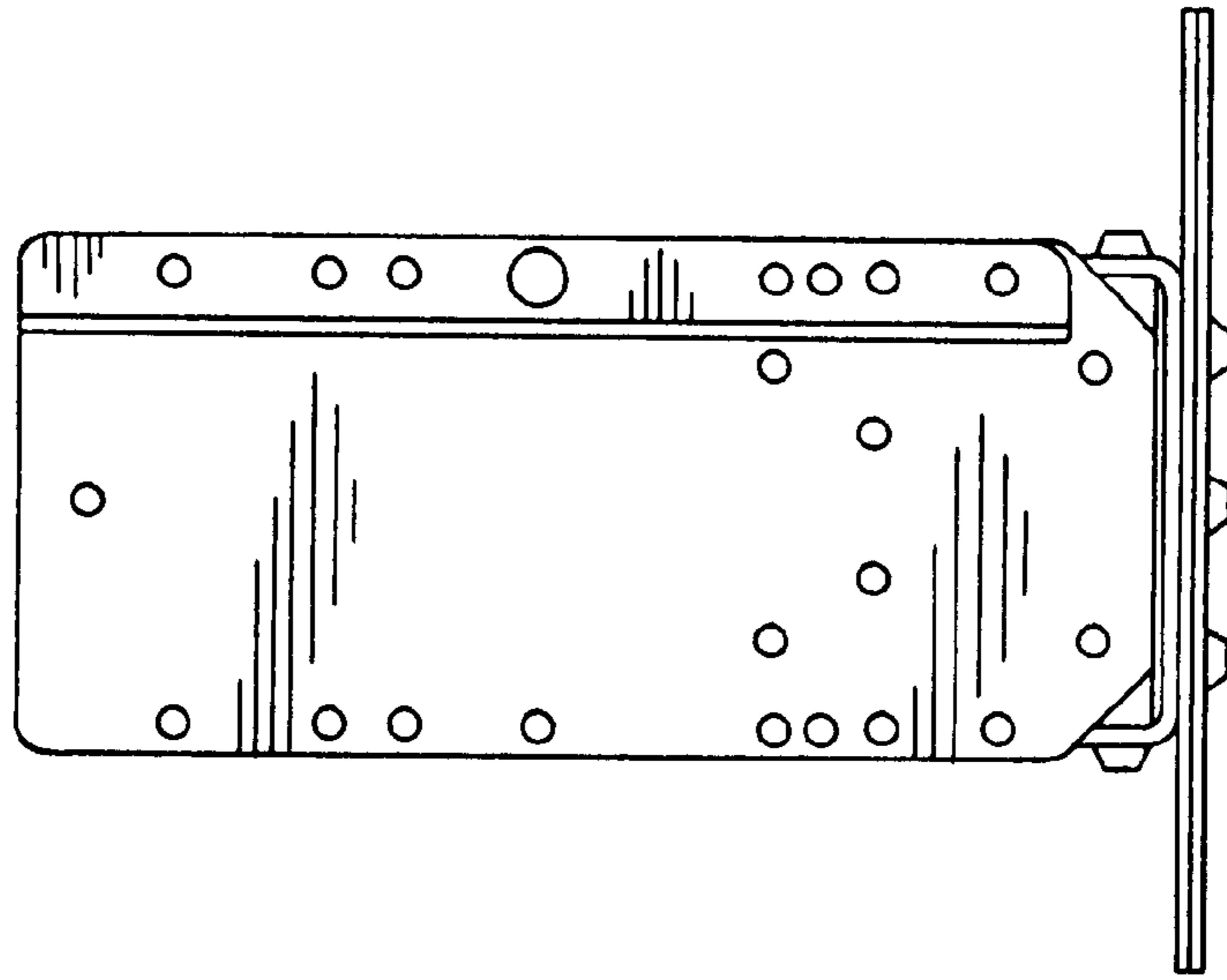


FIG. 5

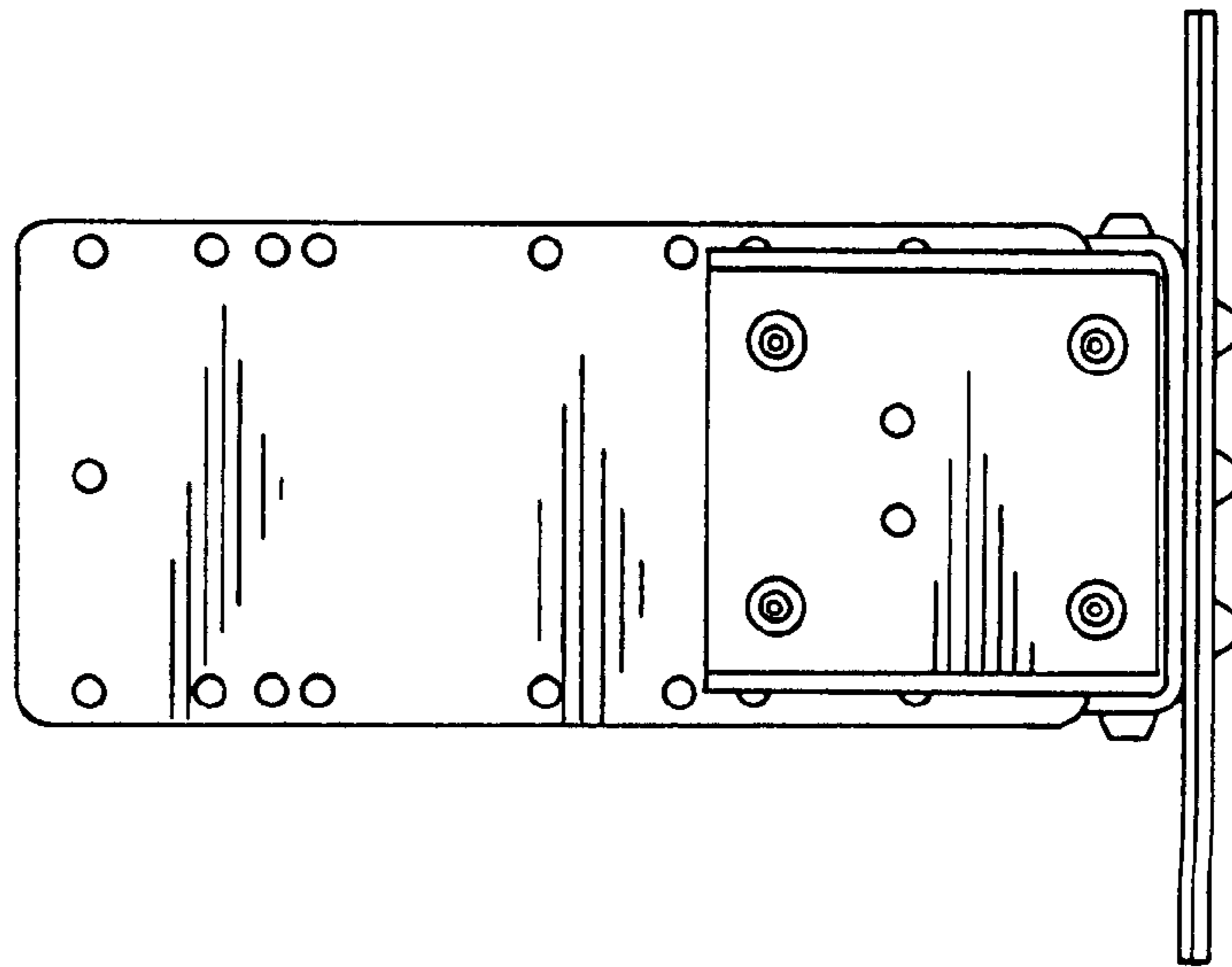


FIG. 6

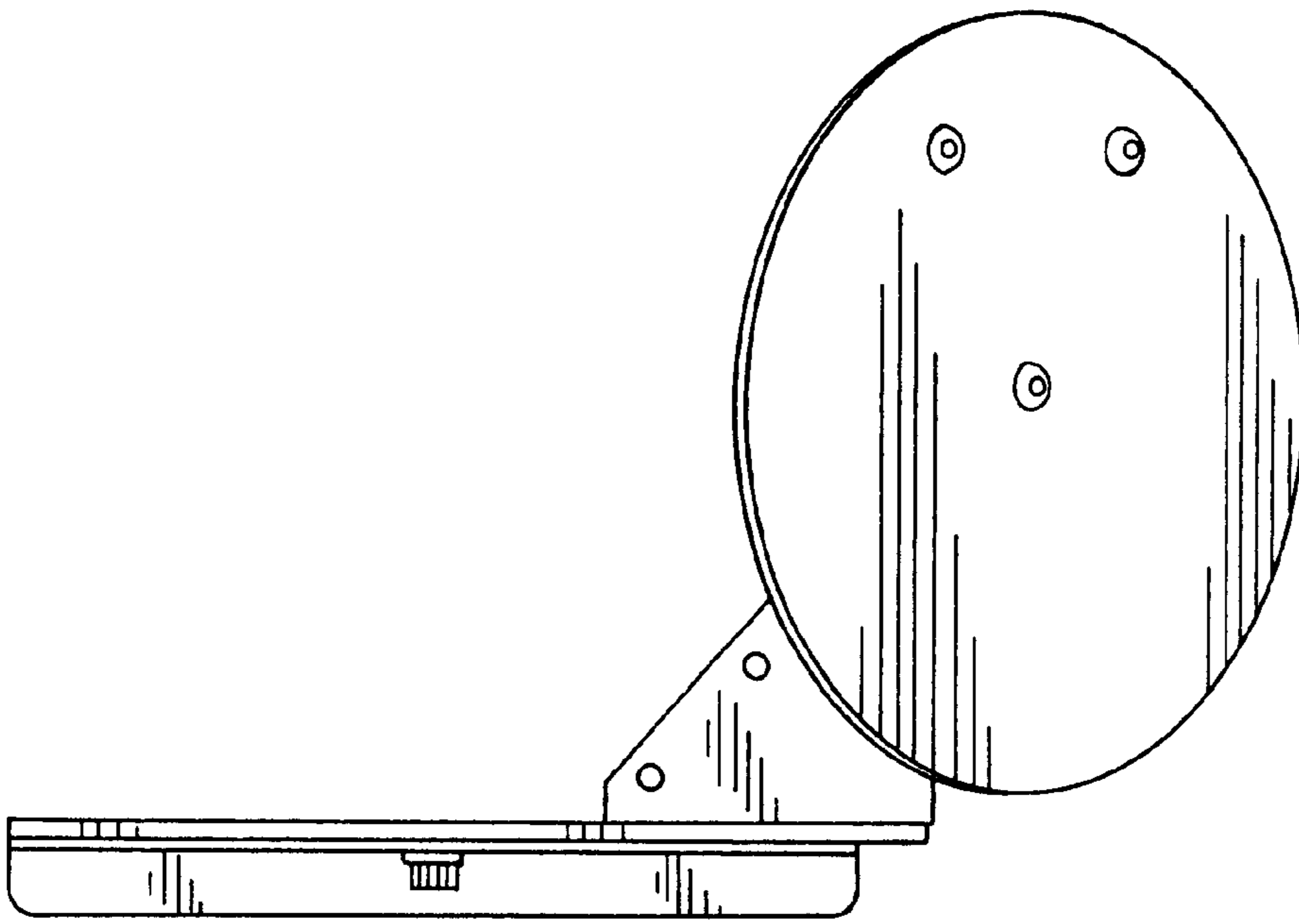


FIG. 7

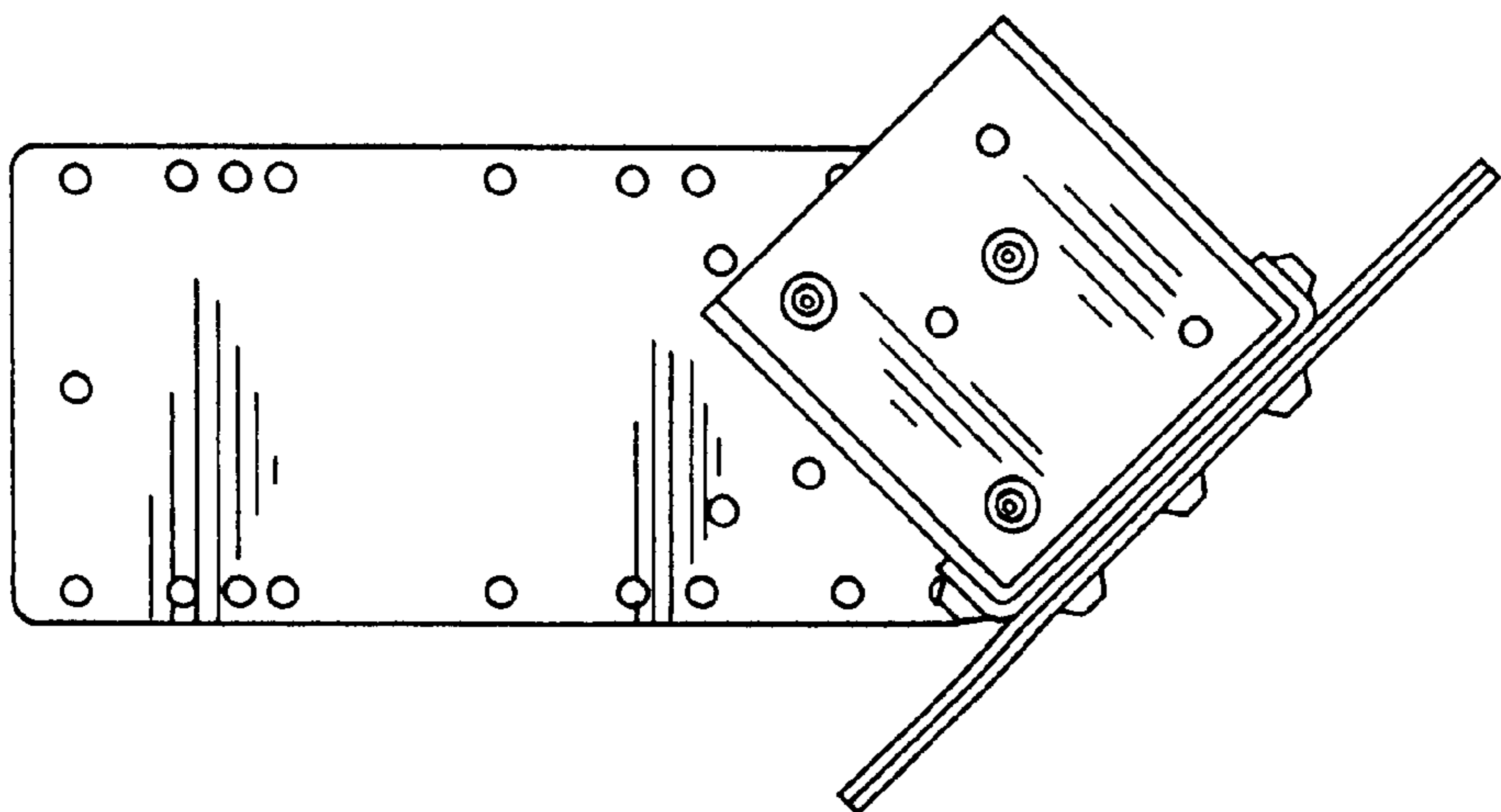


FIG. 8

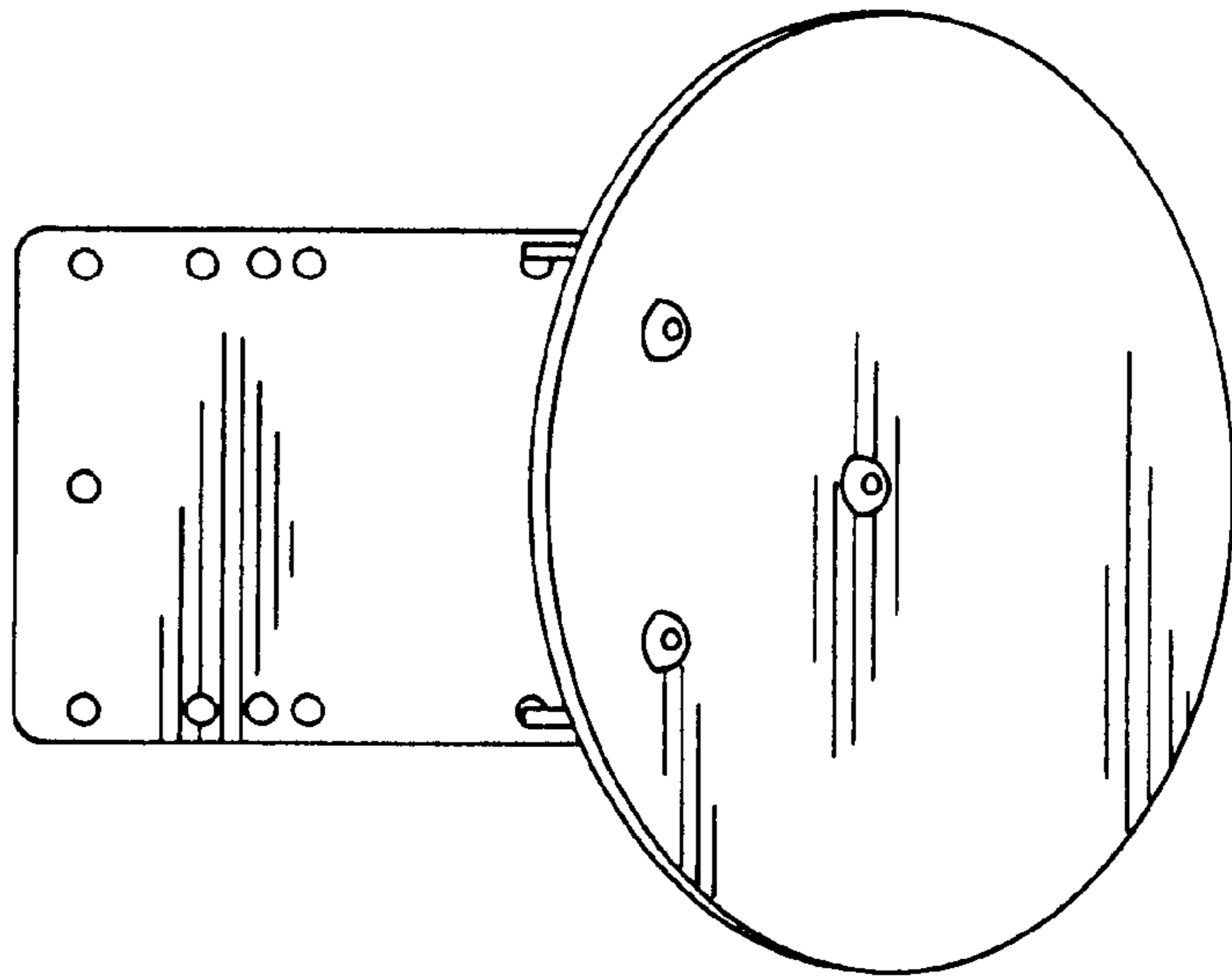


FIG. 9

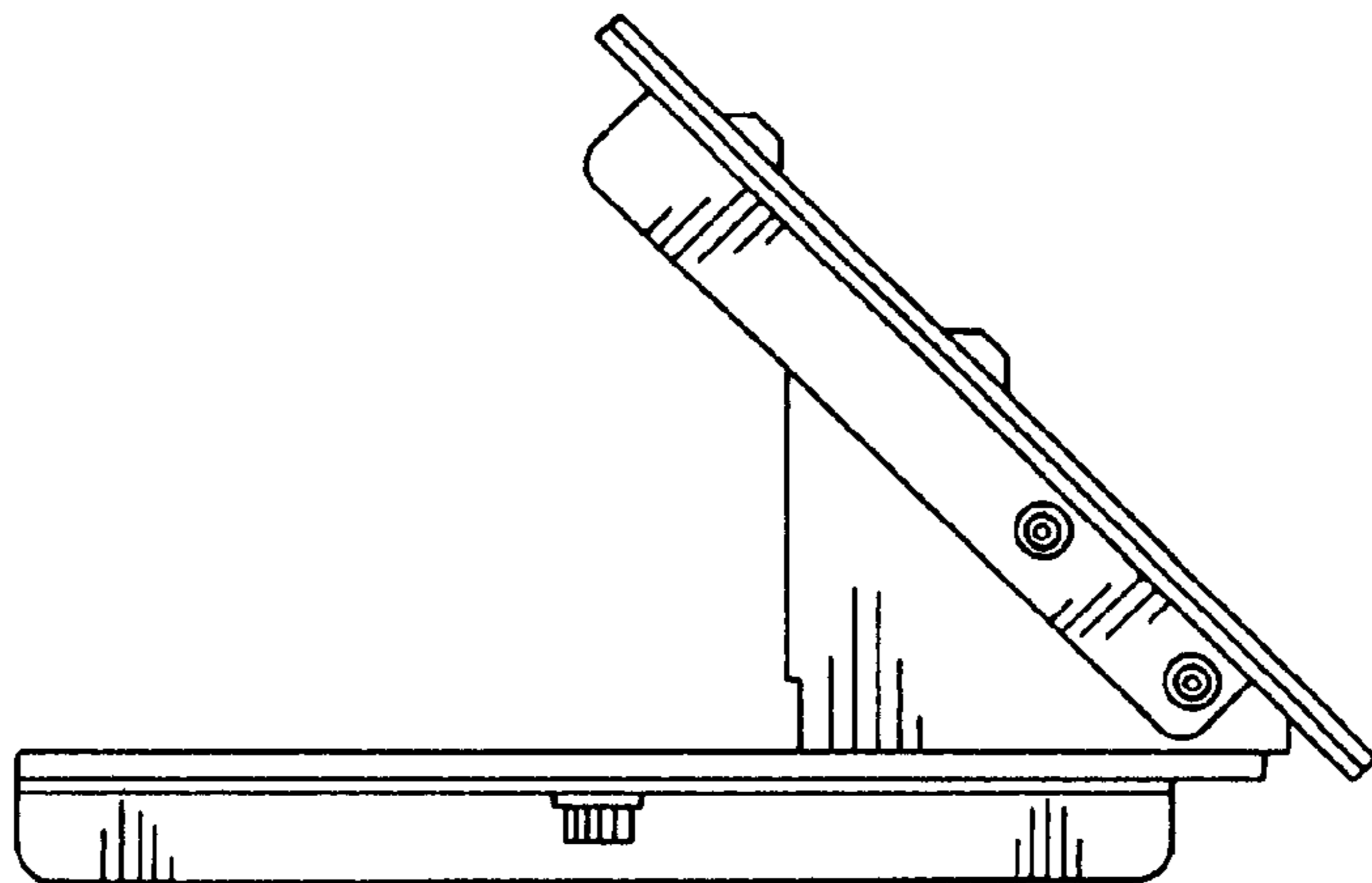


FIG. 10

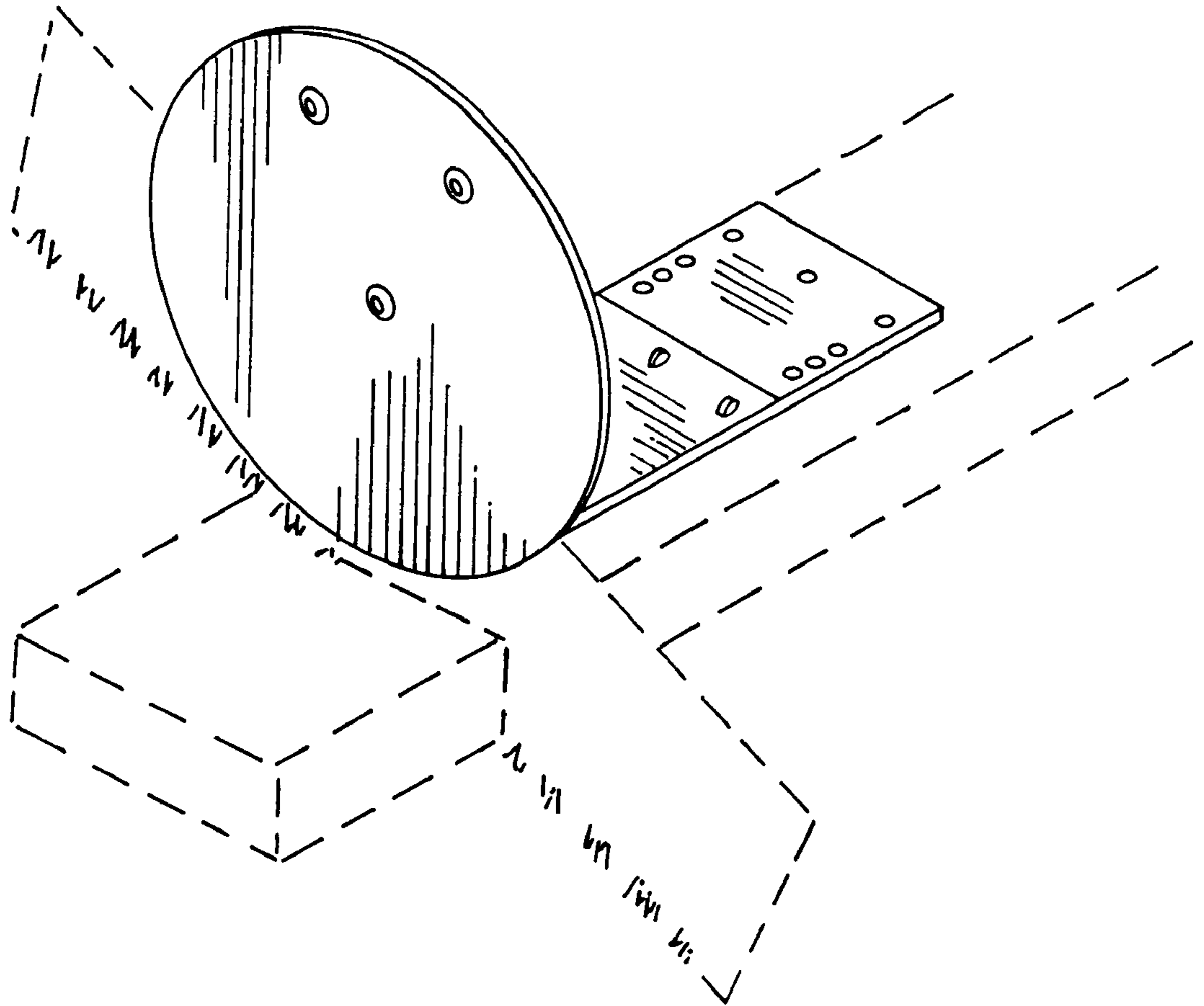


FIG. II