



US00D431439S

United States Patent [19]
Morris

[11] **Patent Number: Des. 431,439**
[45] **Date of Patent: ** Oct. 3, 2000**

[54] **STABILIZER FOR A WHEEL NUT SPANNER**

[76] Inventor: **John Morris**, 23 Newcastle Road,
Wallsend, New South Wales 2287,
Australia

[**] Term: **14 Years**

[21] Appl. No.: **29/090,931**

[22] Filed: **Jul. 20, 1998**

[51] **LOC (7) Cl.** **08-05**

[52] **U.S. Cl.** **D8/71**

[58] **Field of Search** D8/14, 71, 88,
D8/89; 81/462, 180.1, 177.5, 177.2; D6/315

[56] **References Cited**

U.S. PATENT DOCUMENTS

D. 310,161	8/1990	Blair	D8/71
D. 350,888	9/1994	Perry	D8/71
D. 353,527	12/1994	Drake	D8/71
3,730,027	5/1973	Rohn	81/462
4,619,161	10/1986	Reynolds	81/462

4,620,462	11/1986	Parker	81/462
4,625,600	12/1986	Koren et al.	81/462
4,660,447	4/1987	Rossi	81/462
5,018,413	5/1991	Vazquez	81/462

Primary Examiner—Philip S. Hyder
Attorney, Agent, or Firm—Ladas & Parry

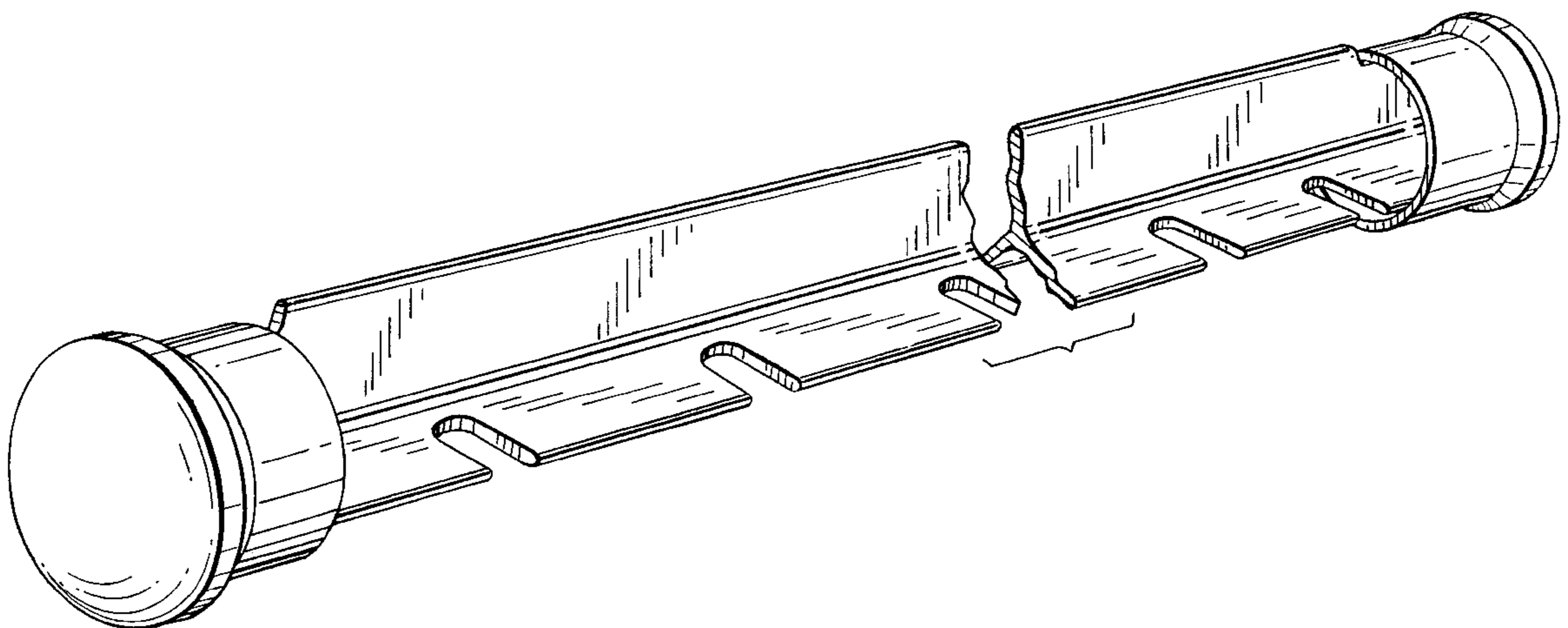
[57] **CLAIM**

The ornamental design for a stabilizer for a wheel nut spanner, as shown.

DESCRIPTION

FIG. 1 is a perspective view of a stabilizer for a wheel nut spanner showing my new design;
FIG. 2 is a right side elevational view, the left side being a mirror image thereof;
FIG. 3 is a top plan view thereof;
FIG. 4 is a front elevational view thereof;
FIG. 5 is a rear elevational view thereof; and,
FIG. 6 is a bottom plan view thereof.

1 Claim, 2 Drawing Sheets



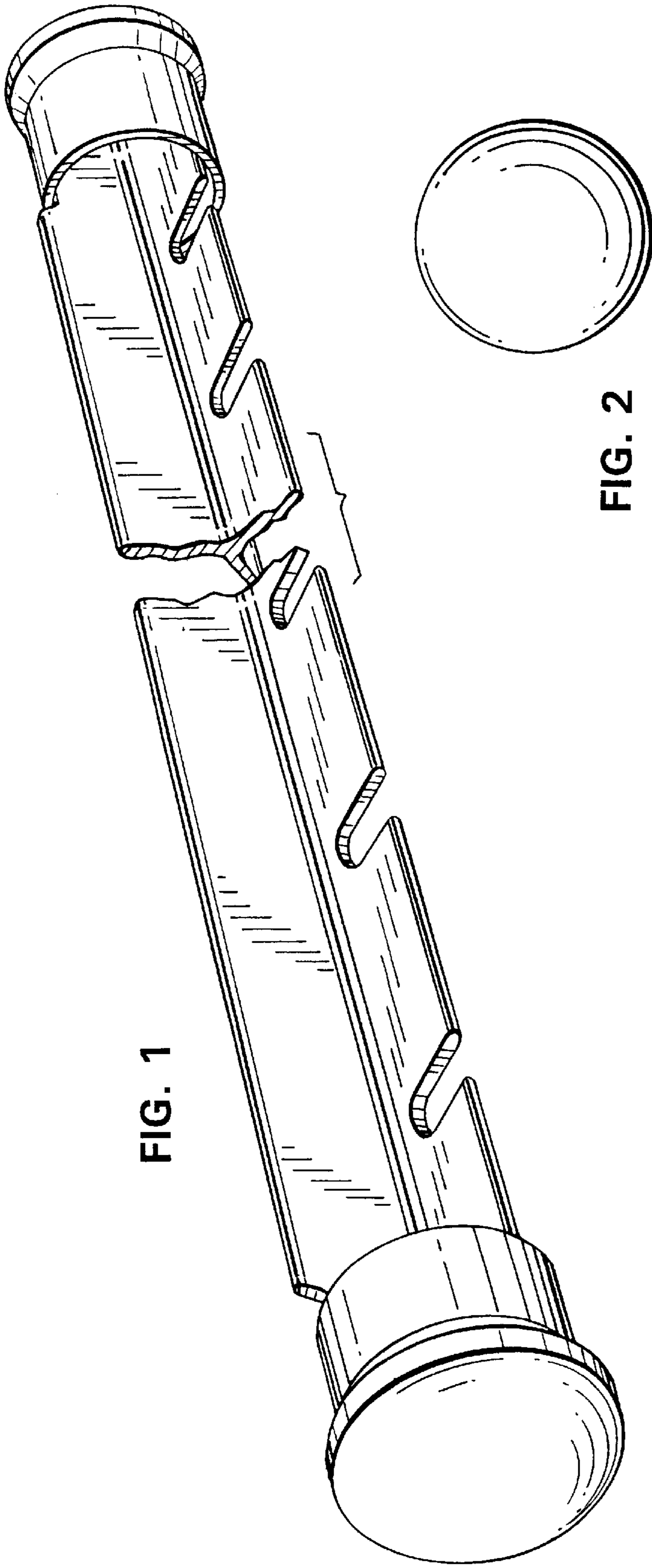


FIG. 1

FIG. 2

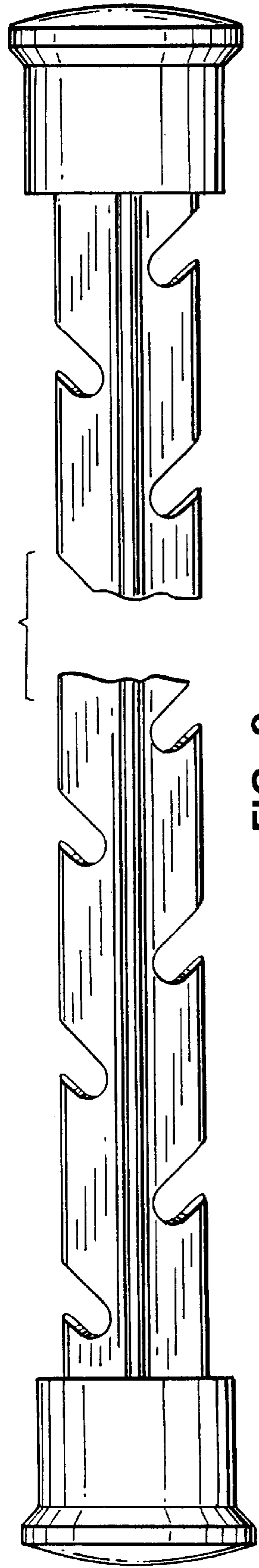


FIG. 3

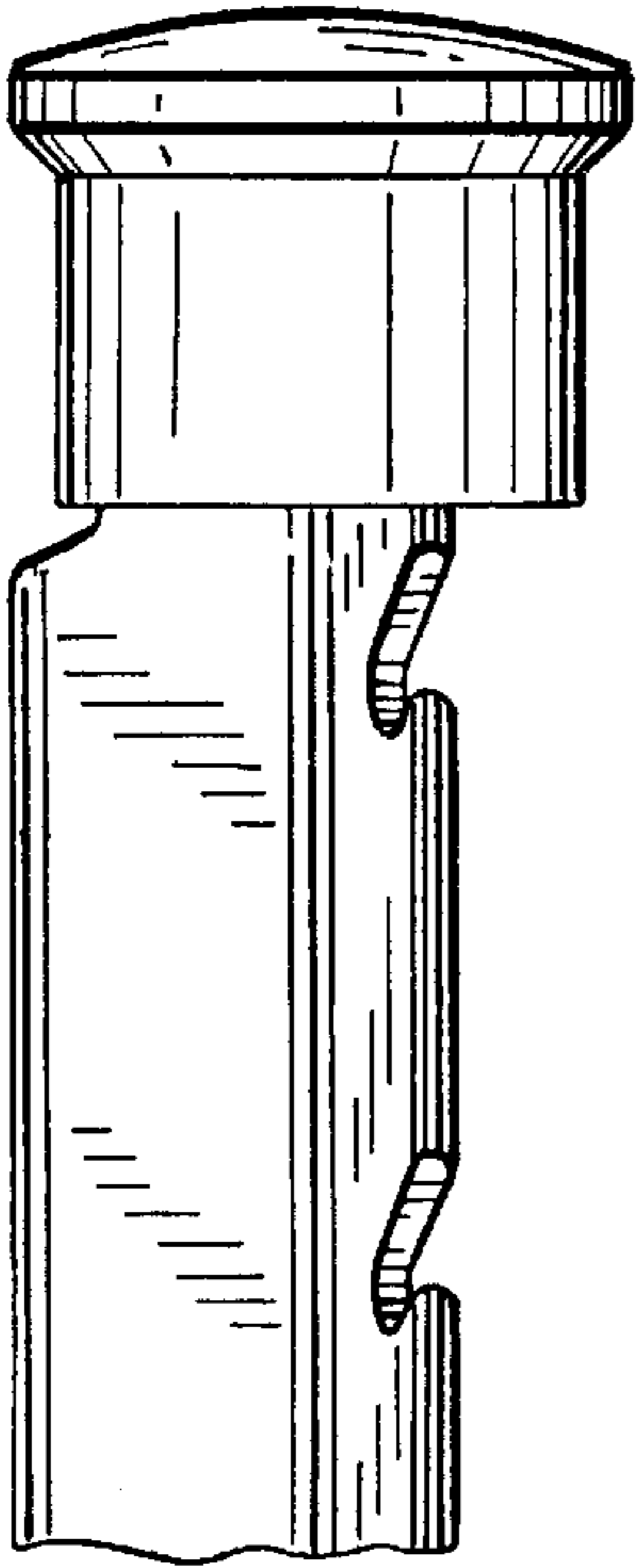


FIG. 4

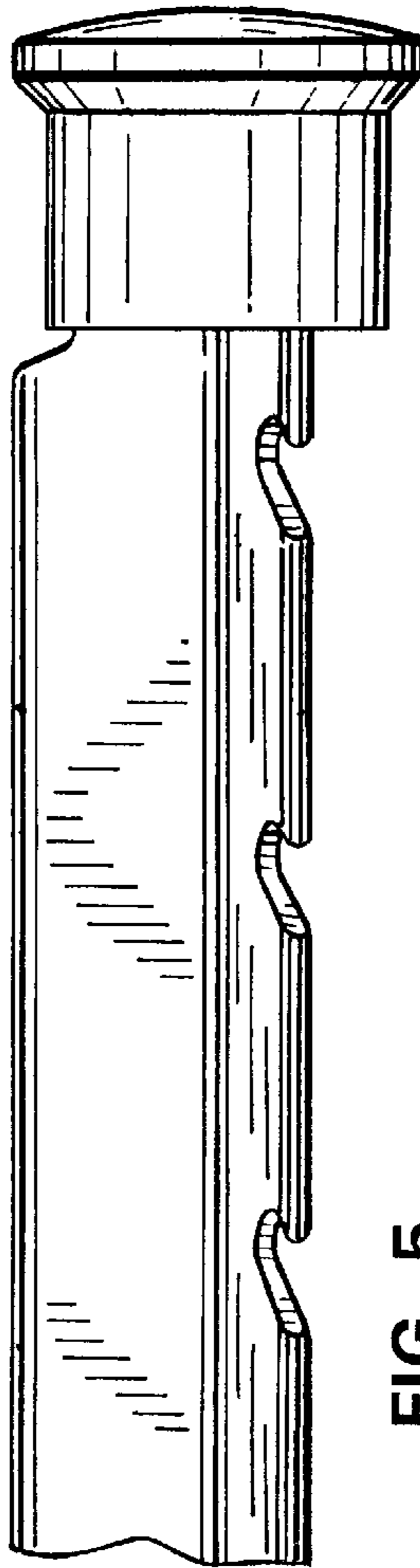


FIG. 5

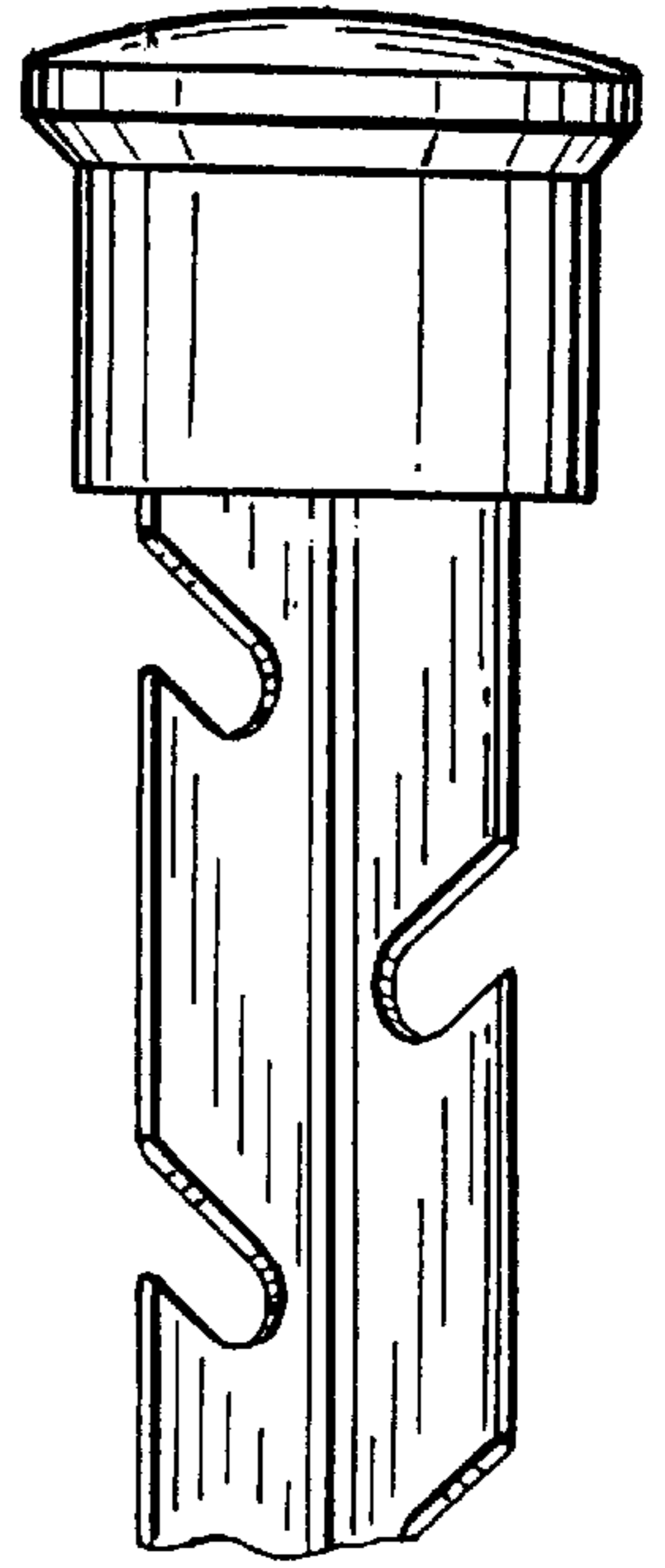


FIG. 6

